



120200

Illustrated Parts List

Model Series

120200

TYPE NUMBERS
0101 through 0475.

TABLE OF CONTENTS

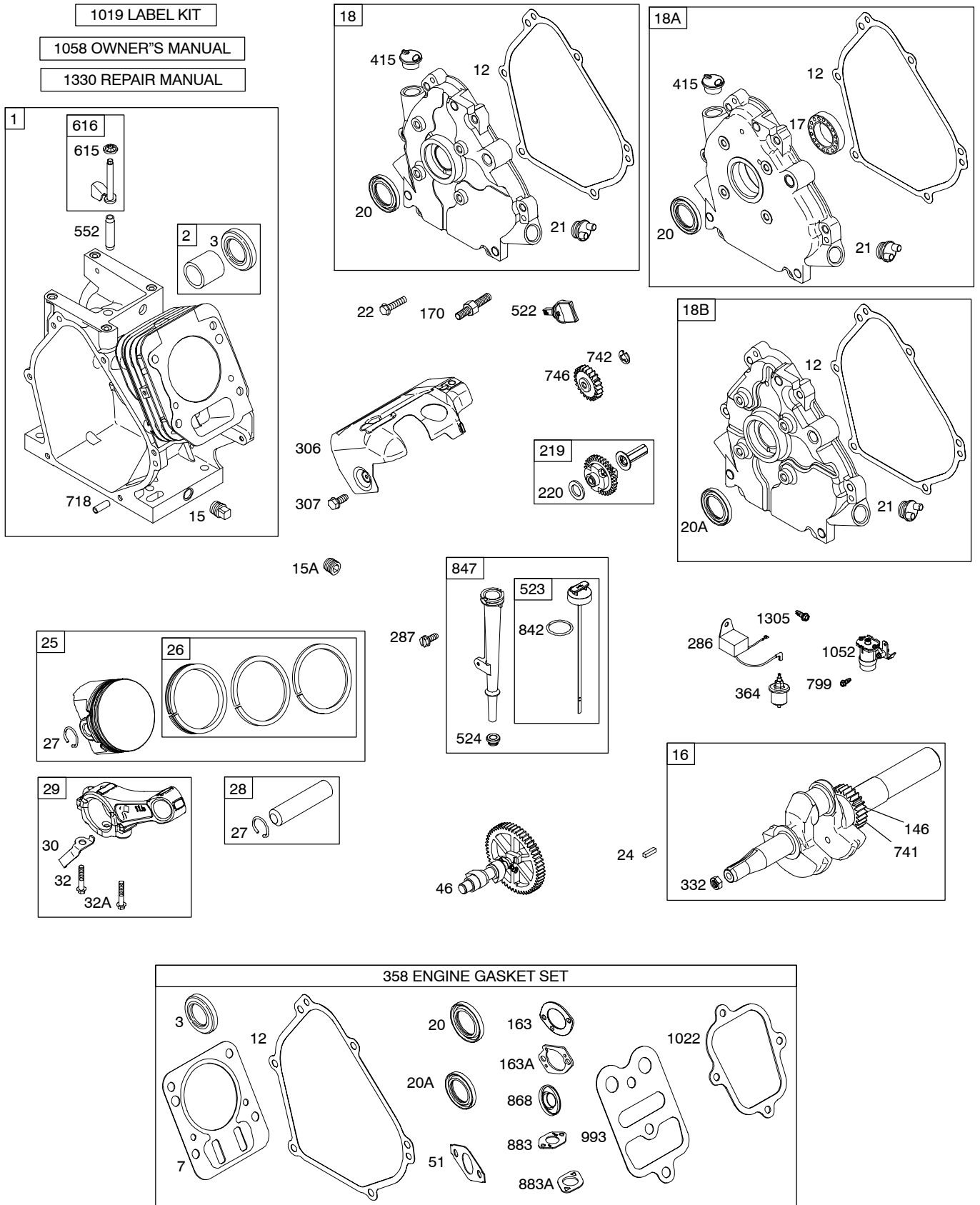
Air Cleaner	5
Blower Housing	6
Camshaft	2
Carburetor	4
Controls	6
Crankcase Cover	2
Crankshaft	2
Cylinder	2
Cylinder Head	3
Exhaust System	5
Flywheel	6
Fuel Supply	4
Governor Spring	6
Ignition	6
Kits/Gaskets - Carburetor	4
Kits/Gaskets - Engine	2
Kits/Gaskets - Valve	3
Lubrication	2
Piston Group	2
Rewind Starter	6



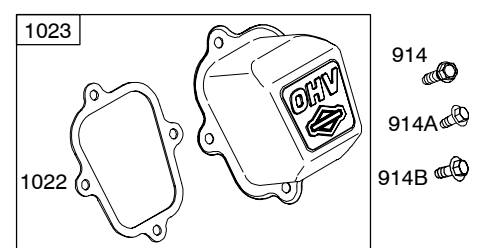
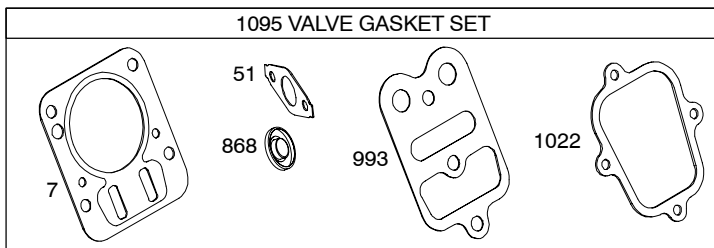
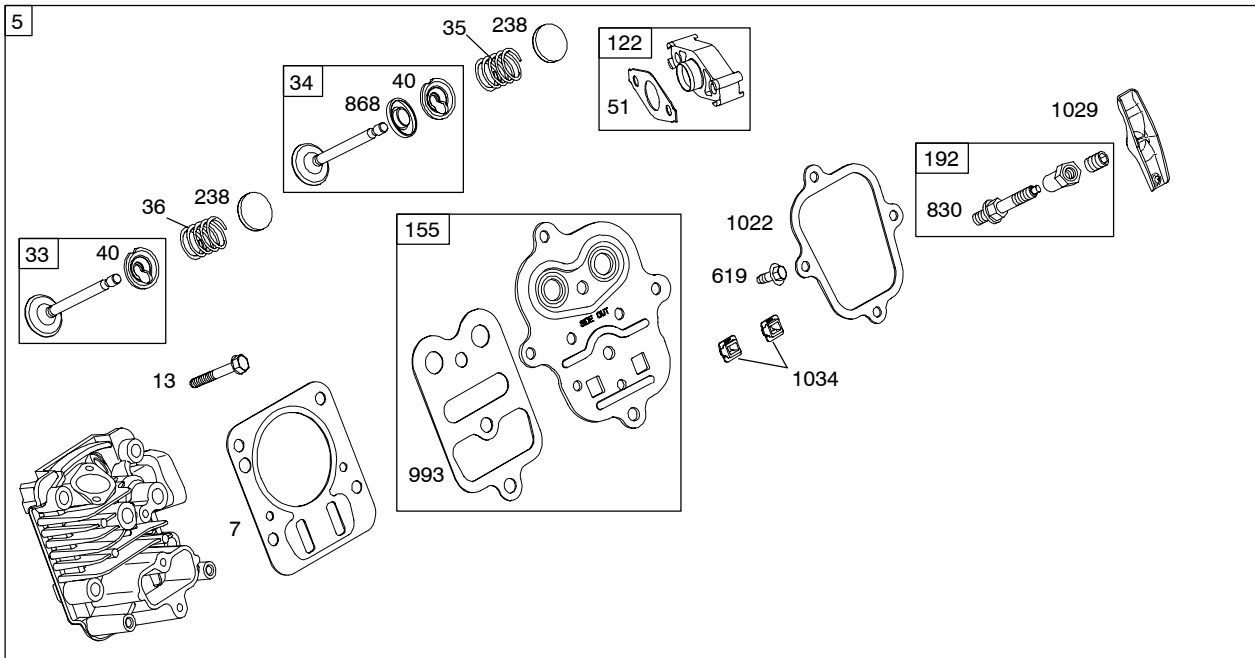
PRINTED IN U.S.A.

COPYRIGHT by BRIGGS & STRATTON CORPORATION
All rights reserved. No part of this material may be reproduced or transmitted, in any form or by any means, electronic or mechanical, including photocopying, recording or by any information storage and retrieval system, without permission in writing from Briggs & Stratton Corporation.

120200



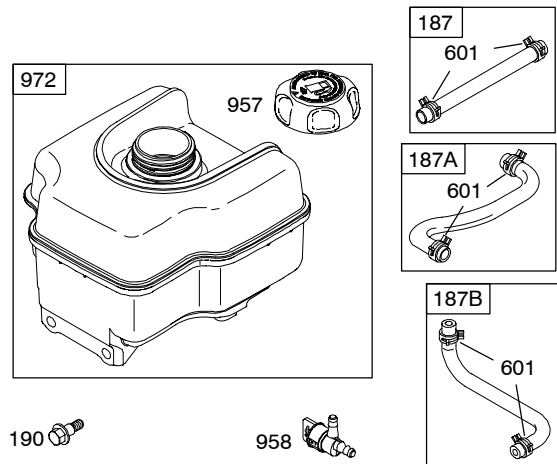
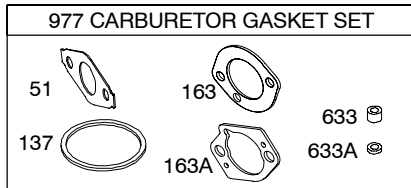
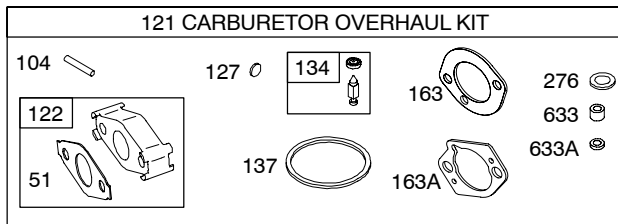
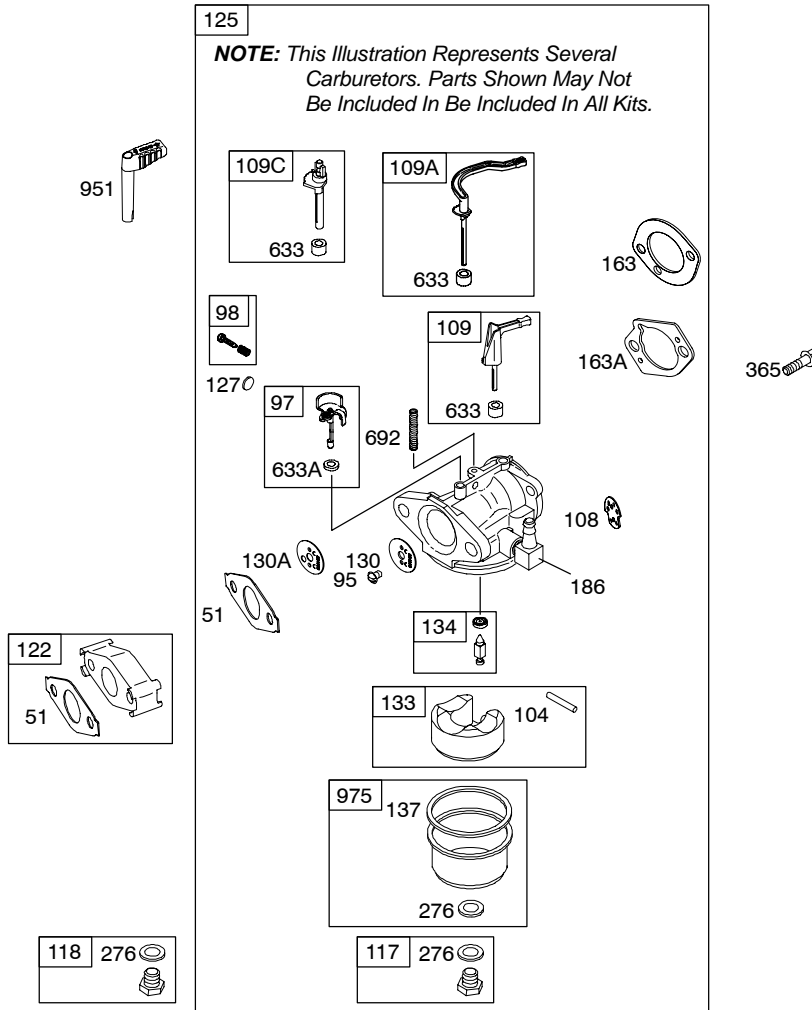
Illustrations cover a range of engines. Parts shown without corresponding text may not be used on your specific engine.



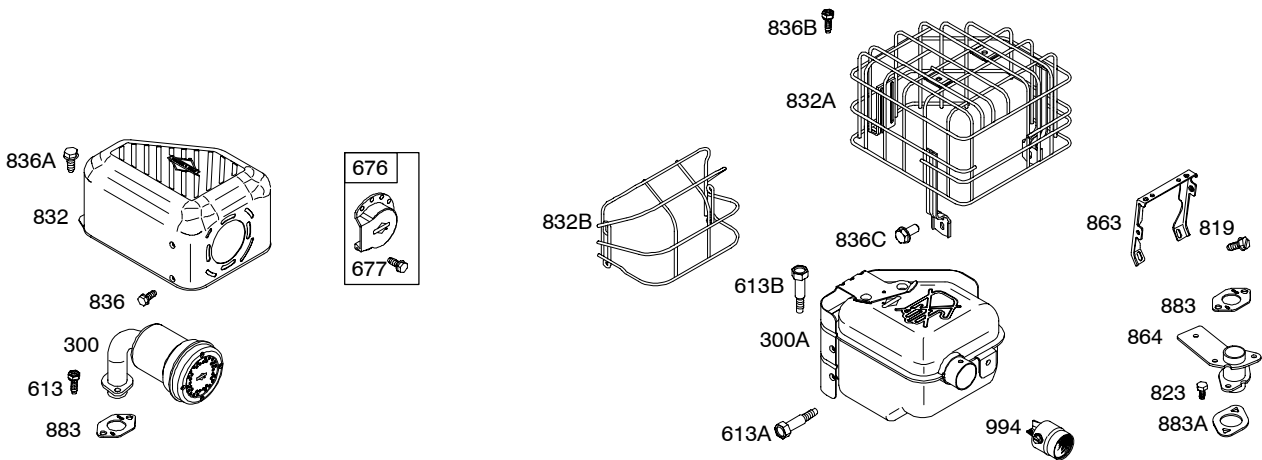
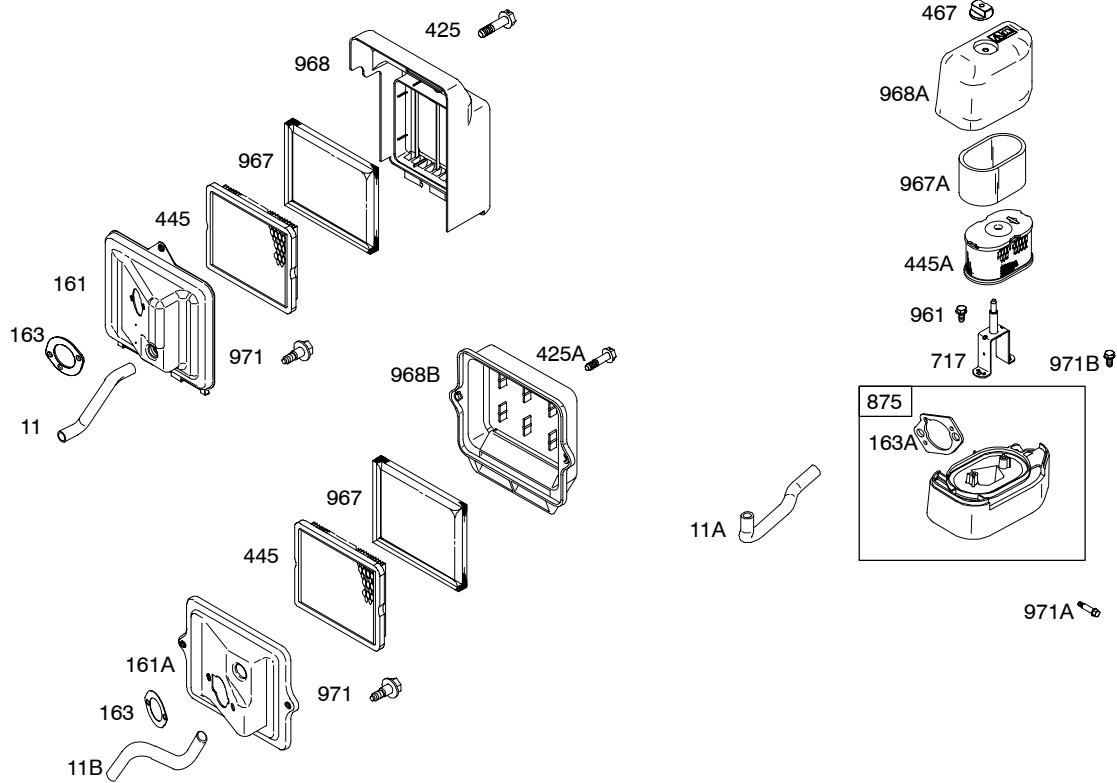
Illustrations cover a range of engines. Parts shown without corresponding text may not be used on your specific engine.
 3243-3 Assemblies include all parts shown in frames.

11/01/2005

120200

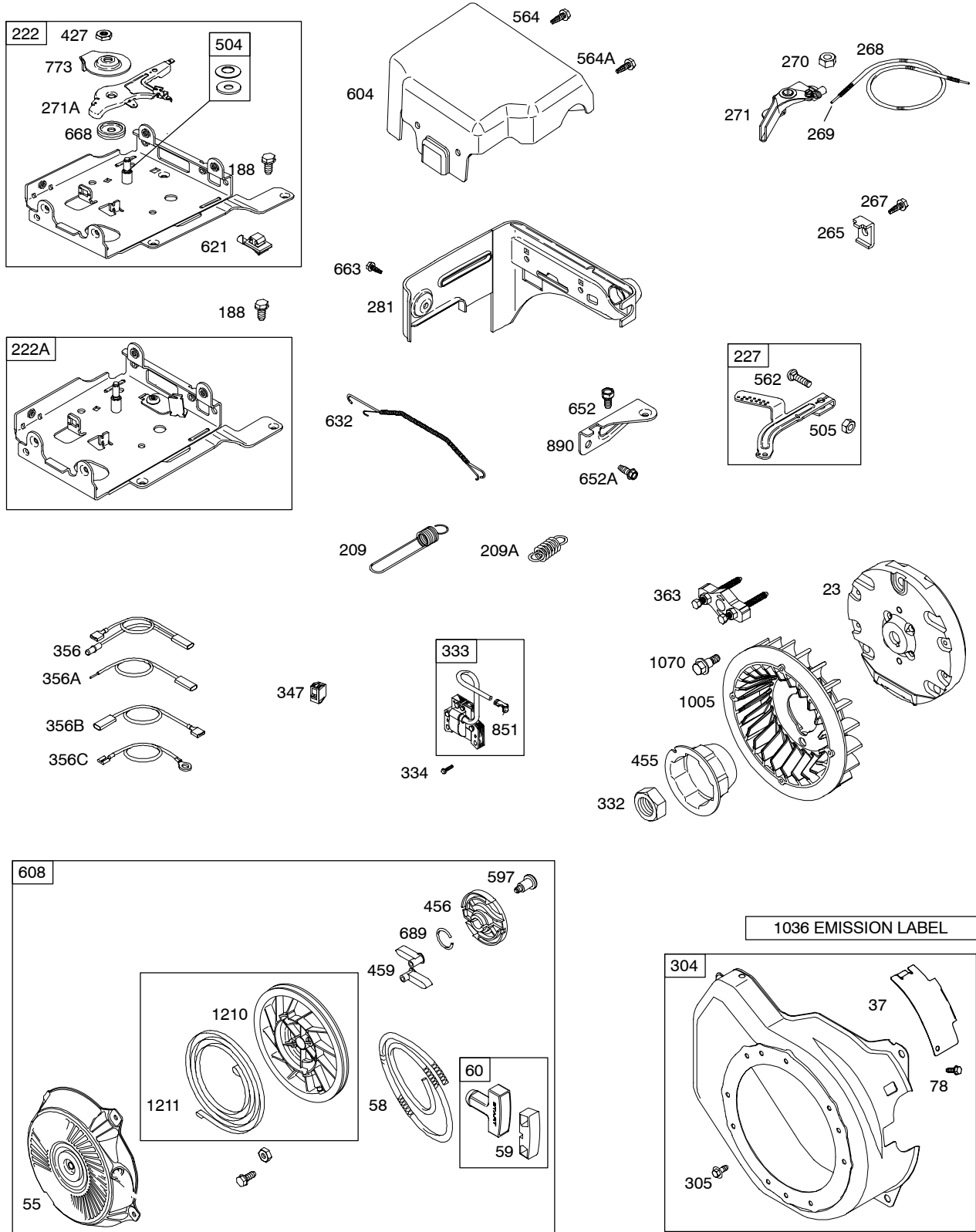


Illustrations cover a range of engines. Parts shown without corresponding text may not be used on your specific engine.



Illustrations cover a range of engines. Parts shown without corresponding text may not be used on your specific engine.

120200



Illustrations cover a range of engines. Parts shown without corresponding text may not be used on your specific engine.

REF. NO.	PART NO.	DESCRIPTION	REF. NO.	PART NO.	DESCRIPTION	REF. NO.	PART NO.	DESCRIPTION
1	699510	Cylinder Assembly	18	699804	Cover-Crankcase Used on Type No(s). 0101, 0114, 0115, 0118, 0119, 0354, 0360, 0399.	26	791969	Ring Set (Standard) (Used After Code Date 05060600).
2	399269	Kit-Bushing/Seal (Magneto Side)						
3	★299819S	Seal-Oil (Magneto Side)						
5	699486	Head-Cylinder						
7	★Ø698210	Gasket-Cylinder Head						
11	692600	Tube-Breather (Flat Panel Air Cleaner)						
11A	693647	Tube-Breather (High Mount Air Cleaner)	18A	699672	Cover-Crankcase Used on Type No(s). 0116.			
11B	790632	Tube-Breather (Ultra Low Air Cleaner)	18B	699761	Cover-Crankcase Used on Type No(s). 0117.			
12	★699485	Gasket-Crankcase	20	★692550	Seal-Oil (PTO Side)	27	691866	Lock-Piston Pin
13	699482	Screw (Cylinder Head)	20A	★694171	Seal-Oil (PTO Side)	28	499423	Pin-Piston
15	691686	Plug-Oil Drain (Square Head)	21	281658S	Cap-Oil Fill	29	690124	Rod-Connecting
15A	691682	Plug-Oil Drain (Flush)	22	699478	Screw (Crankcase Cover/ Sump)	30	692562	Dipper-Connecting Rod
16	699452	Crankshaft Used on Type No(s). 0354.	23	699488	Flywheel	32	691664	Screw (Connecting Rod)
		----- Note -----	24	222698S	Key-Flywheel	32A	695759	Screw (Connecting Rod)
		699449 Crankshaft Used on Type No(s). 0360, 0387, 0399.	25	791968	Piston Assembly (Standard) (Used After Code Date 05060600).	33	499642	Valve-Exhaust
		699445 Crankshaft Used on Type No(s). 0101, 0114, 0417, 0422, 0475.				34	499641	Valve-Intake
		699447 Crankshaft Used on Type No(s). 0115, 0117, 0118, 0119.				35	691304	Spring-Valve (Intake)
		699443 Crankshaft Used on Type No(s). 0116.				36	691304	Spring-Valve (Exhaust)
17	692517	Bearing-Ball				37	699661	Guard-Flywheel
						40	692194	Retainer-Valve
						45	690977	Tappet-Valve
						46	693404	Camshaft
						51	★◆Ø692555	Gasket-Intake (2 Required)
						55	691422	Housing-Rewind Starter
						58	693389	Rope-Starter (Cut to Required Length)
						59	490653	Grip-Insert
						60	490652	Grip-Starter Rope (2 Piece)

★ Included in Engine Gasket Set-Ref. No.358.

● Included in Carburetor Overhaul Kit-Ref. No. 121.

◆ Included in Carburetor Gasket Set-Ref. No. 977.

Ø Included in Valve Gasket Set-Ref. No 1095.

Illustrations cover a range of engines. Parts shown without corresponding text may not be used on your specific engine.

120200

REF. NO.	PART NO.	DESCRIPTION	REF. NO.	PART NO.	DESCRIPTION	REF. NO.	PART NO.	DESCRIPTION
78	699205	Screw (Flywheel Guard)	121	696998	Kit-Carburetor Overhaul	187	791766	Line-Fuel (Cut to Required Length)
95	691636	Screw (Throttle Valve)	122	★693749	Spacer-Carburetor			(Used After Code Date 05063000).
97	690024	Shaft-Throttle	125	791077	Carburetor			----- Note -----
98	398185	Kit-Idle Speed (Carburetor)			698810 Carburetor Used on Type No(s). 0115, 0117.			----- Note -----
104	●691242	Pin-Float Hinge			697028 Carburetor Used on Type No(s). 0114.			691050 Line-Fuel (Cut to Required Length)
108	692567	Valve-Choke			696981 Carburetor Used on Type No(s). 0101, 0116.	187A	791867	Line-Fuel (Molded)
109	690023	Shaft-Choke			698860 Carburetor Used on Type No(s). 0119.			(Used After Code Date 05063000).
109A	693628	Shaft-Choke			791991 Carburetor Used on Type No(s). 0118.			----- Note -----
109C	790624	Shaft-Choke						692601 Line-Fuel (Molded)
117	498978	Jet-Main (Standard)	127	●691739	Plug-Welch	187B	791874	Line-Fuel (Molded)
		----- Note -----	130	691181	Valve-Throttle			(Used Before Code Date 05070100).
		691428 Jet-Main (Standard)	130A	691203	Valve-Throttle Used on Type No(s). 0115, 0117.	188	699479	Screw (Control Bracket)
		Used on Type No(s). 0115, 0117, 0118.				190	699220	Screw (Fuel Tank)
		697355 Jet-Main (Standard)	133	398187	Float-Carburetor	192	694543	Adjustor-Rocker Arm
		Used on Type No(s). 0114.	134	●398188	Kit-Needle/Seat	209	692571	Spring-Governor
		498975 Jet-Main (Standard)	137	●◆693981	Gasket-Float Bowl			----- Note -----
		Used on Type No(s). 0119.	146	690979	Key-Timing			693206 Spring- Governor
118	498975	Jet-Main (High Altitude)	155	★698214	Plate-Cylinder Head			Used on Type No(s). 0115, 0117, 0118.
		----- Note -----	161	699207	Base-Air Cleaner (Flat Panel Air Cleaner)			693710 Spring- Governor
		695042 Jet-Main (High Altitude)	161A	790631	Base-Air Cleaner (Ultra Low Air Cleaner)	209A	691278	Spring-Governor
		Used on Type No(s). 0115, 0117, 0118.				219	693578	Gear-Governor
		494870 Jet-Main (High Altitude)	163	★◆696024	Gasket-Air Cleaner (Flat Panel Air Cleaner)	220	691724	Washer (Governor Gear)
		Used on Type No(s). 0114.	163A	★◆696979	Gasket-Air Cleaner (High Mount)			
		497466 Jet-Main (High Altitude)	186	692317	Connector-Hose			
		Used on Type No(s). 0119.	170	699818	Stud (Crankcase Cover)			

★ Included in Engine Gasket Set-Ref. No.358.

● Included in Carburetor Overhaul Kit-Ref. No. 121.

◆ Included in Carburetor Gasket Set-Ref. No. 977.

⊘ Included in Valve Gasket Set-Ref. No 1095.

Illustrations cover a range of engines. Parts shown without corresponding text may not be used on your specific engine.

REF. NO.	PART NO.	DESCRIPTION	REF. NO.	PART NO.	DESCRIPTION	REF. NO.	PART NO.	DESCRIPTION
222	699589	Bracket-Control	334	699477	Screw	522	697689	Plug-Dipstick/Fill
222A	699590	Bracket-Control Used on Type No(s). 0115, 0117, 0119.			(Magneto Armature)	523	693618	Dipstick
		----- Note -----	337	491055S	Plug-Spark (Resistor)			----- Note -----
	699493	Bracket-Control Used on Type No(s). 0118.			----- Note -----			790546 Dipstick Used on Type No(s). 0360, 0399.
227	692573	Lever-Governor Control	347	698338	Switch-Rocker	524	281370S	Seal-Dipstick Tube
238	691300	Valve-Cap			----- Note -----	544	692966	Armature-Starter
265	691024	Clamp-Casing			697854 Switch-Rocker Used on Type No(s). 0118, 0119.	552	692346	Bushing-Governor Crank
267	699492	Screw (Casing Clamp)	356	693651	Wire-Stop	562	691119	Bolt (Governor Control Lever)
268	691025	Casing-Control Wire (72" Long) (Cut to Required Length)	356A	692390	Wire-Stop	564	699491	Screw (Control Cover)
269	691026	Wire-Control (78" Long) (Cut to Required Length)	356B	692602	Wire-Stop	564A	699206	Screw (Control Cover)
270	691027	Nut (Control Wire Casing)	356C	695630	Wire-Stop	597	691696	Screw (Pawl Friction Plate)
271	691028	Lever-Control	358	699638	Gasket Set-Engine	601	95162S	Clamp-Hose
271A	694256	Lever-Control	363	19069	Puller-Flywheel	604	697326	Cover-Control
276	271716	Washer-Sealing	364	695693	Terminal-Oil Plug	608	693394	Starter-Rewind
281	699639	Panel-Control	365	699484	Screw (Carburetor)	613	699209	Screw (Muffler)
286	698611	Module-Oil Sensor	383	19374S	Wrench-Spark Plug	613A	699230	Screw (Muffler)
287	699629	Screw (Dipstick Tube)	415	693463	Plug	613B	697812	Screw (Muffler)
300	693593	Muffler	425	699208	Screw (Air Cleaner Cover)	615	692576	Retainer-Governor Shaft
300A	699231	Muffler	425A	699492	Screw (Air Cleaner Cover)	616	692547	Crank-Governor
304	699598	Housing-Blower	427	694255	Nut (Control Bracket)	619	699230	Screw (Cylinder Head Plate)
305	699480	Screw (Blower Housing)	445	491588S	Filter-Air Cleaner Cartridge (Flat Panel)	621	692310	Switch-Stop
306	693610	Shield-Cylinder	445A	697029	Filter-Air Cleaner Cartridge (High Mount)	632	693408	Spring/Link- Mechanical Governor
307	699483	Screw (Cylinder Shield)	455	692591	Cup-Flywheel	633	693867	Seal-Choke/Throttle Shaft
332	699359	Nut (Flywheel)	456	692299	Plate-Pawl Friction	633A	691321	Seal-Choke/Throttle Shaft
333	695711	Armature-Magneto	459	281505S	Pawl-Ratchet	635	692076	Boot-Spark Plug
			467	691668	Knob-Air Cleaner	635A	692927	Boot-Spark Plug
			504	694254	Washer Set-Friction			
			505	691251	Nut (Governor Control Lever)			

★ Included in Engine Gasket Set-Ref. No.358.

● Included in Carburetor Overhaul Kit-Ref. No. 121.

◆ Included in Carburetor Gasket Set-Ref. No. 977.

∅ Included in Valve Gasket Set-Ref. No 1095.

Illustrations cover a range of engines. Parts shown without corresponding text may not be used on your specific engine.

120200

REF. NO.	PART NO.	DESCRIPTION	REF. NO.	PART NO.	DESCRIPTION	REF. NO.	PART NO.	DESCRIPTION
652	699755	Screw (Support Bracket)	847	693617	Dipstick/Tube Assembly	971	690370	Screw (Air Cleaner Base)
652A	699230	Screw (Support Bracket)			----- Note -----	971A	690349	Screw (Air Cleaner Base)
663	699206	Screw (Control Panel)			790545 Dipstick/Tube Assembly	971B	699629	Screw (Air Cleaner Base)
668	694257	Spacer			Used on Type No(s). 0326, 0399.	972	694260	Tank-Fuel
676	393757	Deflector-Muffler	851	493880	Terminal-Spark Plug	975	493640	Bowl-Float
677	690661	Screw (Muffler Deflector)	863	699229	Bracket-Muffler	977	697001	Gasket Set-Carburetor
689	691855	Spring-Friction	864	699232	Adapter-Muffler	993	Ø694088	Gasket-Cylinder Head Plate
692	690572	Spring-Detent	868	*Ø692044	Seal-Valve	994	790153	Arrester-Spark
717	693462	Bracket-Air Cleaner	875	697030	Base-Air Cleaner (High Mount)	1005	692592	Fan-Flywheel
718	690959	Pin-Locating	883	*691893	Gasket-Exhaust	1019	694852	Kit-Label
741	692565	Gear-Timing	883A	*692237	Gasket-Exhaust	1022	*Ø691890	Gasket-Rocker Cover
742	692564	Retainer-E Ring	890	790203	Bracket-Support	1023	499924	Cover-Rocker Arm
746	692566	Gear-Idler	914	699481	Screw (Rocker Cover) (Bottom)	1026	790287	Rod-Push
773	694258	Retainer	914A	692557	Screw (Rocker Cover) (Top)	1029	691230	Arm-Rocker
799	699202	Screw (Oil Sensor)	914B	697551	Screw (Rocker Cover) (Center)	1034	691343	Guide-Push Rod
819	699233	Screw (Muffler Bracket)			Lever-Choke	1036		Label-Emission (Available From An Authorized Briggs & Statton Sevice Dealer)
823	699209	Screw (Muffler Adapter)	951	790630	Lever-Choke	1052	790141	Sensor-Oil
830	694544	Stud-Rocker Arm	957	694261	Cap-Fuel Tank	1058	276355	Owner's Manual
832	693583	Guard-Muffler	958	698180	Valve-Fuel Shut Off	1070	699201	Screw (Flywheel Fan)
832A	697818	Guard-Muffler	961	698304	Screw (Air Cleaner Bracket)	1095	698215	Gasket Set-Valve
832B	696516	Guard-Muffler	967	493537S	Filter-Pre Cleaner (Flat Panel)	1210	498144	Pulley/Spring Assembly (Pulley)
836	699203	Screw (Muffler Guard)	967A	273356S	Filter-Pre Cleaner (High Mount)	1211	498144	Pulley/Spring Assembly (Spring)
836A	699632	Screw (Muffler Guard)	968	692584	Cover-Air Cleaner (Flat Panel Air Cleaner)	1305	699691	Screw (Oil Sensor Module)
836B	699209	Screw (Muffler Guard)	968A	693460	Cover-Air Cleaner (High Mount)	1330	272147	Repair Manual
836C	699234	Screw (Muffler Guard)	968B	791082	Cover-Air Cleaner (Ultra Low Air Cleaner)			
842	691031	Seal-O Ring (Dipstick Tube)						

★ Included in Engine Gasket Set-Ref. No.358.

● Included in Carburetor Overhaul Kit-Ref. No. 121.

◆ Included in Carburetor Gasket Set-Ref. No. 977.

Ø Included in Valve Gasket Set-Ref. No 1095.

Illustrations cover a range of engines. Parts shown without corresponding text may not be used on your specific engine.