



# 11C600

## Illustrated Parts List

### Model Series

# 11C600

TYPE NUMBERS  
0100 through 0110.

### TABLE OF CONTENTS

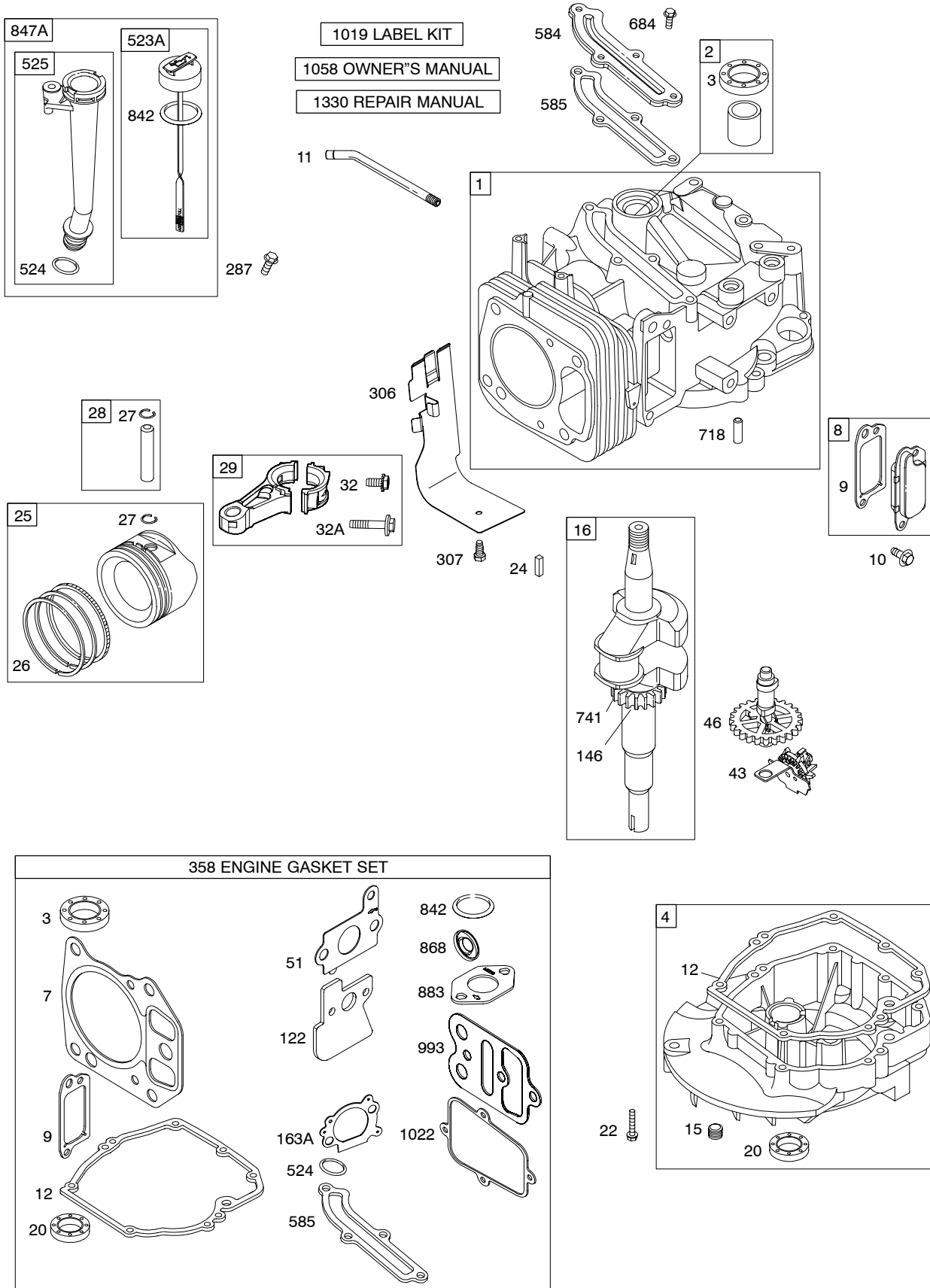
<b>Air Cleaner</b> .....	6
<b>Blower Housing/Shrouds</b> .....	7
<b>Camshaft</b> .....	2
<b>Carburetor</b> .....	4
<b>Controls</b> .....	5
<b>Crankshaft</b> .....	2
<b>Cylinder</b> .....	2
<b>Cylinder Head</b> .....	3
<b>Engine Sump</b> .....	2
<b>Exhaust System</b> .....	6
<b>Flywheel</b> .....	7
<b>Flywheel Brake</b> .....	5
<b>Fuel Supply</b> .....	4
<b>Governor Spring</b> .....	5
<b>Ignition</b> .....	5
<b>Lubrication</b> .....	2
<b>Piston Group</b> .....	2
<b>Rewind Starter</b> .....	7



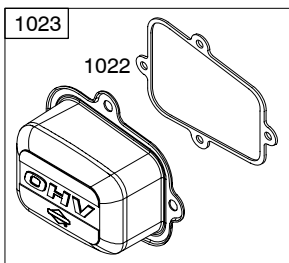
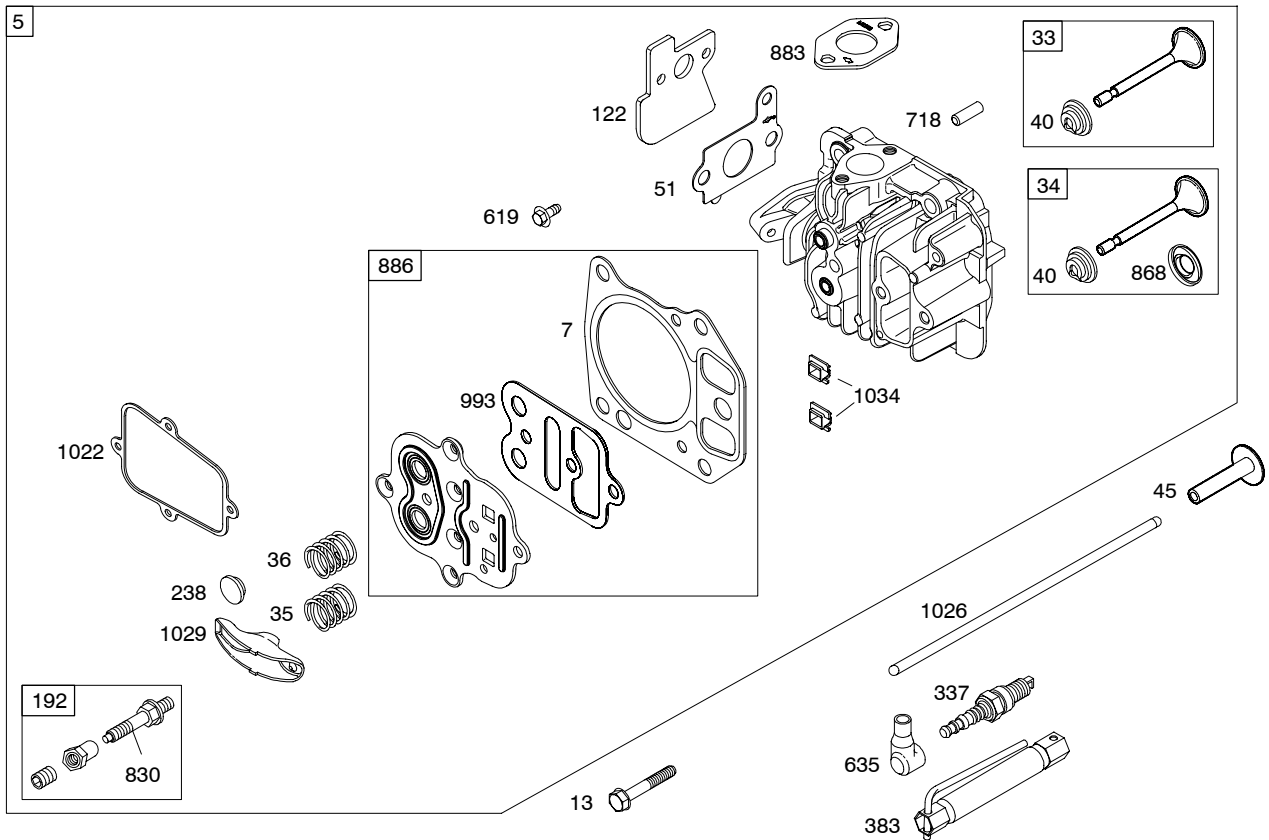
PRINTED IN U.S.A.

COPYRIGHT by BRIGGS & STRATTON CORPORATION  
All rights reserved. No part of this material may be reproduced or transmitted, in any form or by any means, electronic or mechanical, including photocopying, recording or by any information storage and retrieval system, without permission in writing from Briggs & Stratton Corporation.

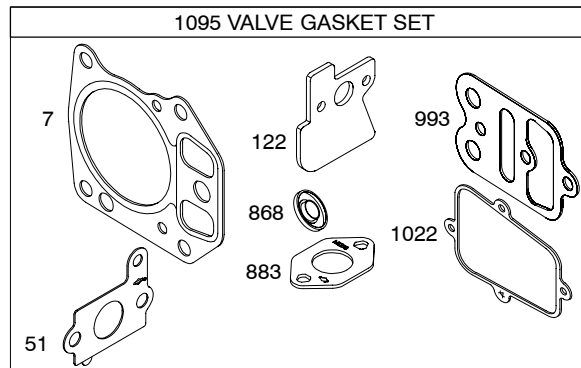
# 11C600



Illustrations cover a range of engines. Parts shown without corresponding text may not be used on your specific engine.  
 5051-2 Assemblies include all parts shown in frames. 10/11/2005

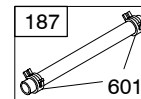
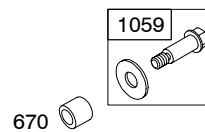
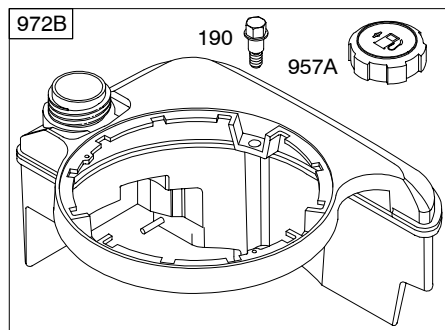
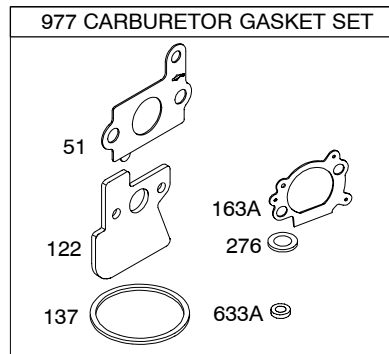
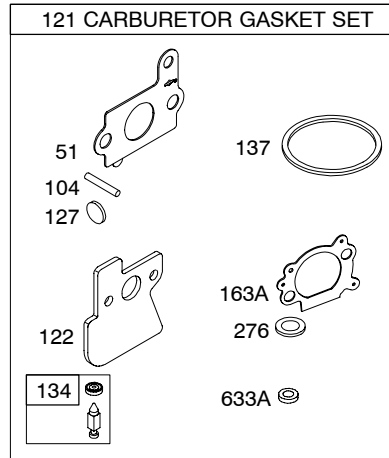
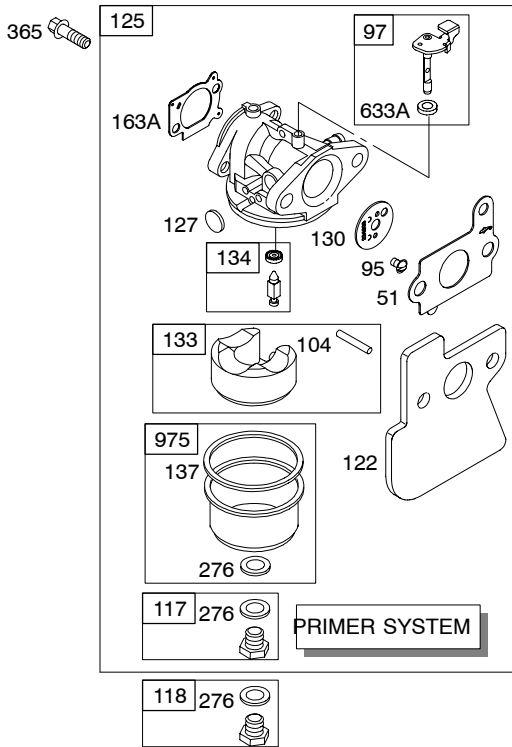


914

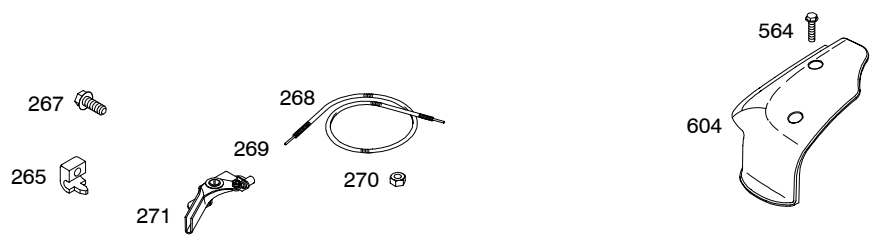
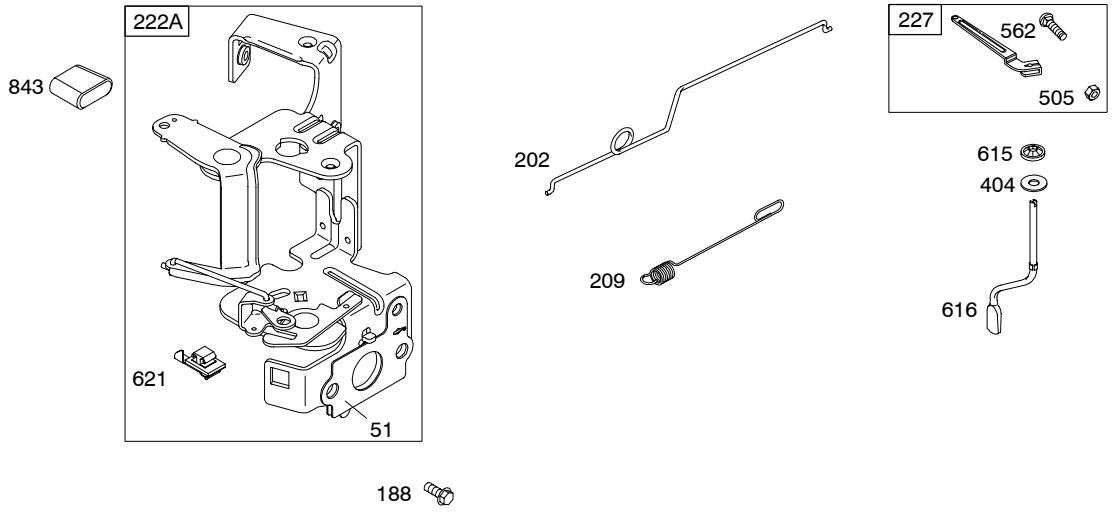


Illustrations cover a range of engines. Parts shown without corresponding text may not be used on your specific engine.  
 5051-3 Assemblies include all parts shown in frames. 10/11/2005

# 11C600

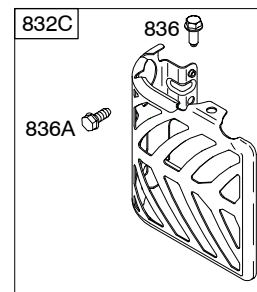
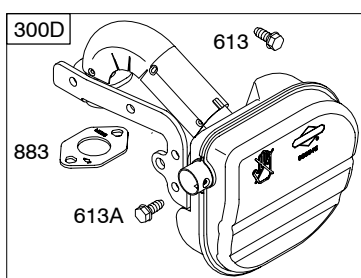
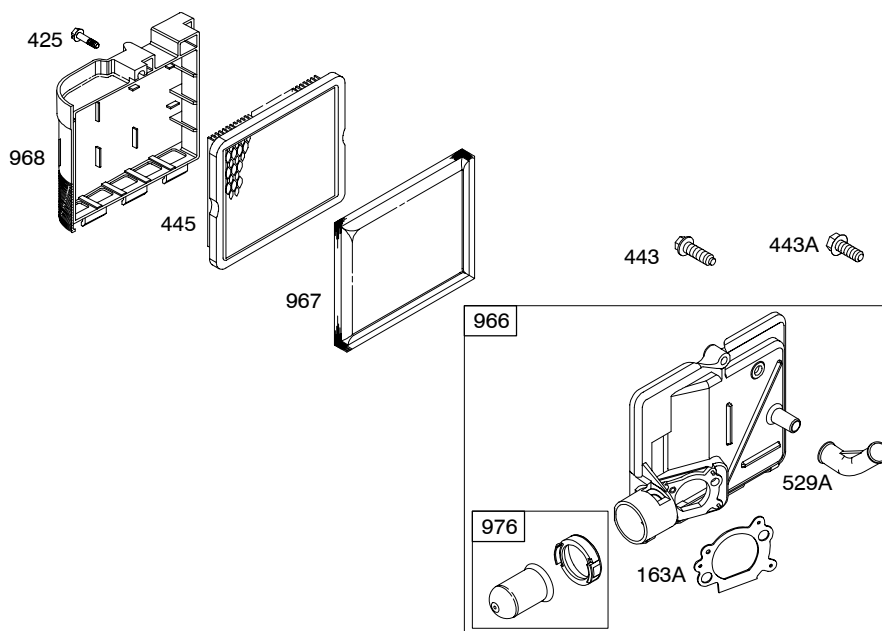


Illustrations cover a range of engines. Parts shown without corresponding text may not be used on your specific engine.  
 5051-4 Assemblies include all parts shown in frames. 10/11/2005



Illustrations cover a range of engines. Parts shown without corresponding text may not be used on your specific engine.  
5051-5 Assemblies include all parts shown in frames. 10/11/2005

# 11C600

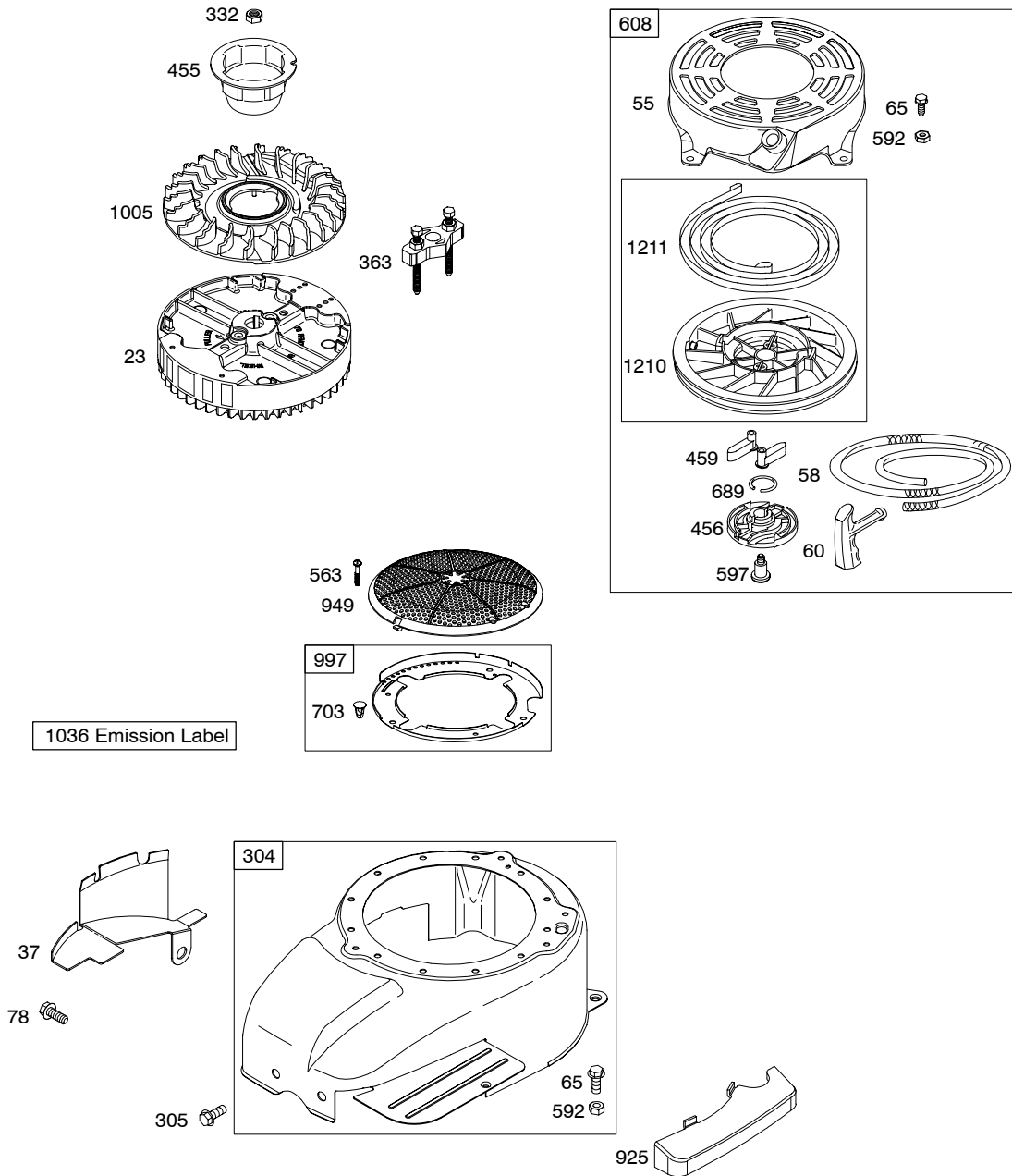


*Illustrations cover a range of engines. Parts shown without corresponding text may not be used on your specific engine.*

5051-6

Assemblies include all parts shown in frames.

10/11/2005



Illustrations cover a range of engines. Parts shown without corresponding text may not be used on your specific engine.  
5051-7 Assemblies include all parts shown in frames. 10/11/2005

# 11C600

REF. NO.	PART NO.	DESCRIPTION	REF. NO.	PART NO.	DESCRIPTION	REF. NO.	PART NO.	DESCRIPTION
1	692670	Cylinder Assembly	26	790360	Ring Set (Standard)	60	281434	Grip-Starter Rope
2	399269	Kit-Bushing/Seal (Magneto Side)			(Used After Code Date 04040400).	65	690837	Screw (Rewind Starter)
3	*299819	Seal-Oil (Magneto Side)			----- <b>Note</b> -----	78	691108	Screw (Flywheel Guard)
4	493279	Sump-Engine			499425 Ring Set (Standard)	95	691636	Screw (Throttle Valve)
5	695276	Head-Cylinder			(Used Before Code Date 04040500).	97	499682	Shaft-Throttle (Metal)
7	*Δ695166	Gasket-Cylinder Head			499426 Ring Set (.010" Oversize)			----- <b>Note</b> -----
8	495786	Breather Assembly			791324 Ring Set (.020" Oversize)			790121 Shaft-Throttle (Plastic)
9	*272481	Gasket-Breather			(Used After Code Date 04102100).	104	●691242	Pin-Float Hinge
10	691125	Screw (Breather Assembly)			499427 Ring Set (.020" Oversize)	117	498981	Jet-Main (Standard)
11	499675	Tube-Breather			(Used Before Code Date 04102200).			(Used After Code Date 03110600).
12	*692232	Gasket-Crankcase			499428 Ring Set (.030" Oversize)			----- <b>Note</b> -----
13	691137	Screw (Cylinder Head)	27	691866	Lock-Piston Pin			498978 Jet-Main (Standard)
15	691680	Plug-Oil Drain (Square Socket)	28	499423	Pin-Piston			(Used Before Code Date 03110700).
16	692676	Crankshaft	29	692671	Rod-Connecting	118	497466	Jet-Main (High Altitude)
20	*399781	Seal-Oil (PTO Side)	32	691664	Screw (Connecting Rod)			(Used After Code Date 03110600).
22	691092	Screw (Crankcase Cover/Sump)	32A	695759	Screw (Connecting Rod)			----- <b>Note</b> -----
23	696569	Flywheel	33	499642	Valve-Exhaust			498975 Jet-Main (High Altitude)
24	222698	Key-Flywheel	34	499641	Valve-Intake			(Used Before Code Date 03110700).
25	790359	Piston Assembly (Standard)	35	691304	Spring-Valve (Intake)	121	692703	Kit-Carburetor Overhaul
		----- <b>Note</b> -----	36	691304	Spring-Valve (Exhaust)	122*♦♦Δ692799		Spacer-Carburetor
		499430 Piston Assembly (.010" Oversize)	37	694086	Guard-Flywheel	125	790120	Carburetor
		791326 Piston Assembly (.020" Oversize)	40	692194	Retainer-Valve	127	●694468	Plug-Welch
		(Used After Code Date 04102100).	43	691997	Slinger-Governor/Oil	130	691203	Valve-Throttle
		499431 Piston Assembly (.020" Oversize)	45	690977	Tappet-Valve			----- <b>Note</b> -----
		(Used Before Code Date 04102200).	46	694039	Camshaft			696564 Valve-Throttle (Used With Plastic Throttle Shaft)
		499432 Piston Assembly (.030" Oversize)	51*♦♦Δ692668		Gasket-Intake	133	398187	Float-Carburetor
			55	691421	Housing-Rewind Starter	134	●398188	Kit-Needle/Seat
			58	697316	Rope-Starter (Cut To Required-Length)	137	♦♦693981	Gasket-Float Bowl

\* Included in Engine Gasket Set-Ref. No.358.

● Included in Carburetor Overhaul Kit-Ref. No. 121.

♦ Included in Carburetor Gasket Set-Ref. No. 977.

Δ Included in Valve Gasket Set-Ref. No 1095.

Illustrations cover a range of engines. Parts shown without corresponding text may not be used on your specific engine.



**11C600**

REF. NO.	PART NO.	DESCRIPTION	REF. NO.	PART NO.	DESCRIPTION	REF. NO.	PART NO.	DESCRIPTION
146	690979	Key-Timing	269	691026	Wire-Control (Cut To Required Length)	505	691251	Nut (Governor Control Lever)
163A★◆	692667	Gasket-Air Cleaner	270	691027	Nut (Control Wire Casing)	523A	495264	Dipstick
187	791766	Line-Fuel (Cut to Required Length) (Used After Code Date 05063000). ----- <b>Note</b> ----- 691050 Line-Fuel (Cut to Required Length) (Used Before Code Date 05070100).	271	691028	Lever-Control	524	★692296	Seal-Dipstick Tube
188	691147	Screw (Control Bracket)	276	◆271716	Washer-Sealing (Main Jet)	525	495265	Tube-Dipstick
190	690940	Screw (Fuel Tank)	287	690940	Screw (Dipstick Tube)	529	691923	Grommet
192	694543	Adjuster-Rocker Arm	300D	699769	Muffler	562	691119	Bolt (Governor Control Lever)
202	691303	Link-Mechanical Governor	304	697383	Housing-Blower	563	691138	Screw (Debris Guard Screen)
209	691851	Spring-Governor Used on Type No(s). 0100. ----- <b>Note</b> ----- 690319 Spring-Governor Used on Type No(s). 0110.	305	691108	Screw (Blower Housing)	564	693808	Screw (Control Cover)
222A	693897	Bracket-Control Used on Type No(s). 0100. ----- <b>Note</b> ----- 692672 Bracket-Control Used on Type No(s). 0110.	306	691232	Shield-Cylinder	584	697734	Cover-Breather Passage
227	691467	Lever-Governor Control	307	690345	Screw (Cylinder Shield)	585	★691879	Gasket-Breather Passage
238	691300	Cap-Valve	332	690662	Nut (Flywheel)	592	690800	Nut (Rewind Starter)
265	690798	Clamp-Casing	333	802574	Armature-Magneto	597	691696	Screw (Pawl Friction Plate)
267	691044	Screw (Casing Clamp)	334	691061	Screw (Magneto Armature)	601	95162	Clamp-Hose
268	691072	Casing-Control Wire (Cut To Required Length)	337	692051	Plug-Spark	604	692669	Cover-Control
			356	692390	Wire-Stop	608	497680	Starter-Rewind
			358	694090	Gasket Set-Engine	613	691108	Screw (Muffler)
			363	19069	Puller-Flywheel	613A	691140	Screw (Muffler)
			365	691136	Screw (Carburetor)	615	690340	Retainer-Governor Shaft
			383	19374	Wrench-Spark Plug	616	698801	Crank-Governor
			404	690272	Washer (Governor Crank)	619	691108	Screw (Cylinder Head Plate)
			425	690670	Screw (Air Cleaner Cover)	621	692310	Switch-Stop
			443	691637	Screw (Air Cleaner Primer Base)	633A	◆691321	Seal-Choke/Throttle Shaft (Throttle Shaft)
			443A	692523	Screw (Air Cleaner Primer Base)	635	66538	Boot-Spark Plug
			445	491588	Filter-Air Cleaner Cartridge	670	692294	Spacer-Fuel Tank
			455	695161	Cup-Flywheel	684	690345	Screw (Breather Passage Cover)
			456	692299	Plate-Pawl Friction	689	691855	Spring-Friction
			459	281505	Pawl-Ratchet			

★ Included in Engine Gasket Set-Ref. No.358.

● Included in Carburetor Overhaul Kit-Ref. No. 121.

◆ Included in Carburetor Gasket Set-Ref. No. 977.

△ Included in Valve Gasket Set-Ref. No 1095.

*Illustrations cover a range of engines. Parts shown without corresponding text may not be used on your specific engine.*

# 11C600

REF. NO.	PART NO.	DESCRIPTION	REF. NO.	PART NO.	DESCRIPTION	REF. NO.	PART NO.	DESCRIPTION
703	696309	Clip	883	★△691893	Gasket-Exhaust	997	696310	Shield-Debris
718	690959	Pin-Locating	886	696268	Gasket Kit-Cylinder Head/Plate	1005	691346	Fan-Flywheel
741	790345	Gear-Timing (Use Without Woodruff Key)	914	691108	Screw (Rocker Cover)	1019	695811	Kit-Label
		----- <b>Note</b> -----	922	692135	Spring-Brake	1022	★△691890	Gasket-Rocker Cover
		691830 Gear-Timing (Uses Woodruff Key)	923	695891	Brake	1023	499624	Cover-Rocker
745	691648	Screw (Brake)	925	690595	Cover-Linkage	1026	692045	Rod-Push
830	694544	Stud-Rocker Arm	949	696306	Guard-Debris Screen	1029	691230	Arm-Rocker
832C	695593	Guard-Muffler	957A	397974	Cap-Fuel Tank (Plastic)	1034	691343	Guide-Push Rod
851	493880	Terminal-Spark Plug	966	692673	Base-Air Cleaner Primer	1036		Label-Emission (Available From An Authorized Briggs & Statton Sevice Dealer)
836	691147	Screw (Muffler Guard)	967	493537	Filter-Pre Cleaner	1058	276348	Manual-Owner's
836A	697551	Screw (Muffler Guard)	968	692298	Cover-Air Cleaner	1059	692311	Kit-Screw/Washer
842	★691031	Seal-O Ring (Dipstick Tube)	972B	699374	Tank-Fuel (Plastic)	1095	694091	Gasket Set-Valve
843	691884	Sleeve-Lever	975	493640	Bowl-Float	1210	498144	Pulley/Spring Assembly (Pulley)
847A	692017	Dipstick/Tube Assembly	976	694395	Primer-Carburetor	1211	498144	Pulley/Spring Assembly (Spring)
868	★△692044	Seal-Valve	977	692704	Gasket Set-Carburetor	1330	272147	Manual-Repair
			993	★△694088	Gasket-Cylinder Head Plate			

★ Included in Engine Gasket Set-Ref. No.358.

● Included in Carburetor Overhaul Kit-Ref. No. 121.

◆ Included in Carburetor Gasket Set-Ref. No. 977.

△ Included in Valve Gasket Set-Ref. No 1095.

*Illustrations cover a range of engines. Parts shown without corresponding text may not be used on your specific engine.*

5051-10

Assemblies include all parts shown in frames.

10/11/2005