

# 10L900

## Illustrated Parts List

### Model Series

# 10L900

TYPE NUMBER  
0441, 0469, 0480,  
0488, 0517, 0536.

### TABLE OF CONTENTS

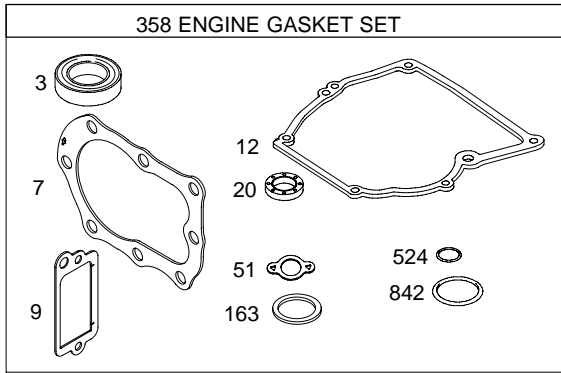
Air Cleaner .....	3
Blower Housing .....	5
Brake .....	4
Cam .....	2
Carburetor .....	3
Controls .....	4
Covers .....	5
Crankcase Cover/Sump .....	2
Crankshaft .....	2
Cylinder .....	2
Flywheel .....	5
Fuel Tank .....	3
Governor Spring .....	4
Head .....	2
Ignition .....	4
Kits/Gaskets-Sets .....	2
Muffler .....	3
Oil Group .....	2
Piston Group .....	2
Rewind .....	5
Valves .....	3



PRINTED IN U.S.A.

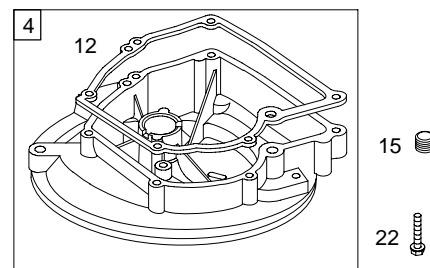
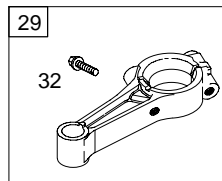
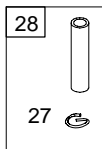
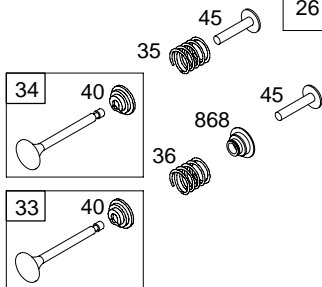
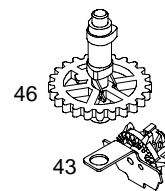
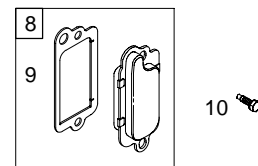
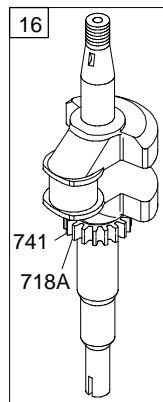
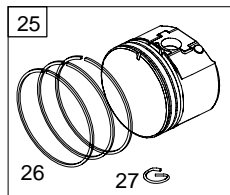
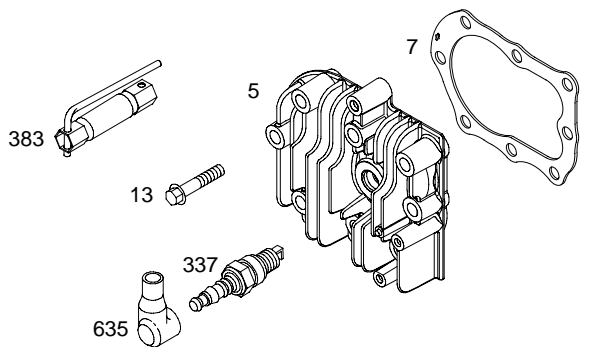
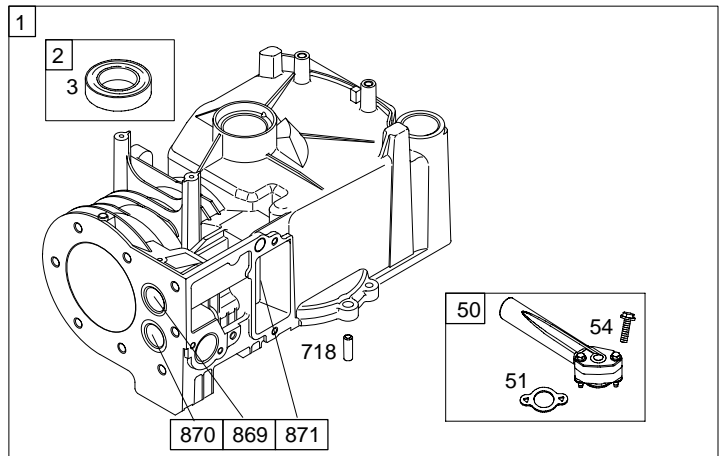
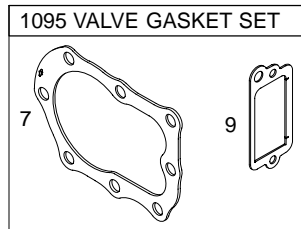
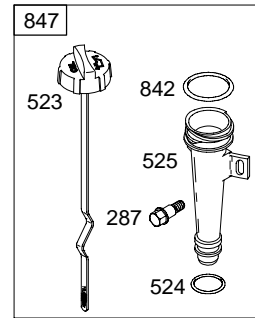
COPYRIGHT by BRIGGS & STRATTON CORPORATION  
 All rights reserved. No part of this material may be reproduced or transmitted,  
 in any form or by any means, electronic or mechanical, including photocopying,  
 recording or by any information storage and retrieval system, without permission  
 in writing from Briggs & Stratton Corporation.

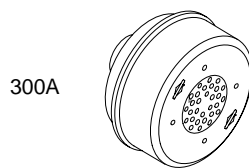
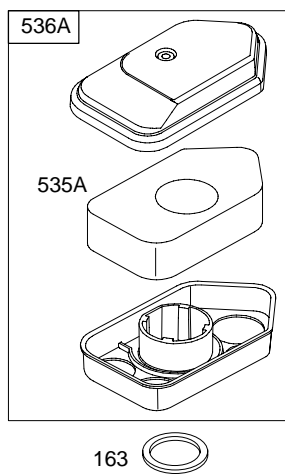
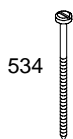
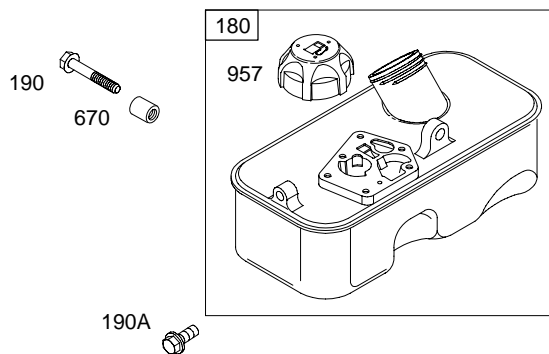
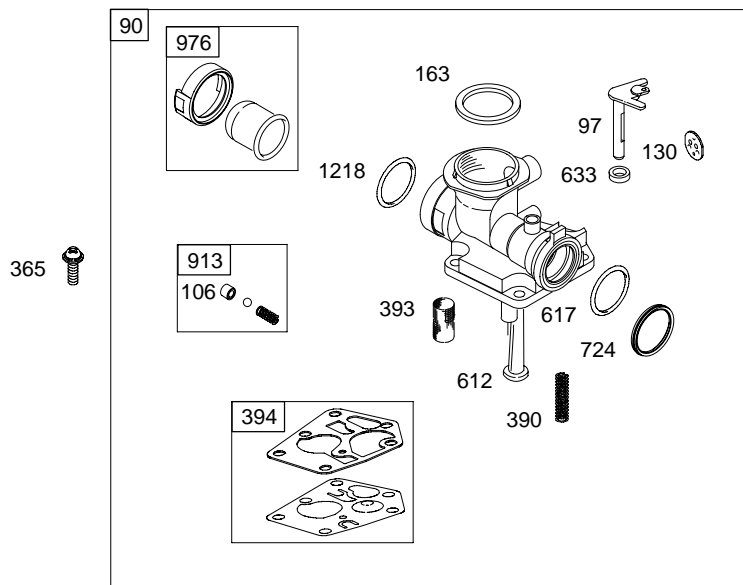
# 10L900



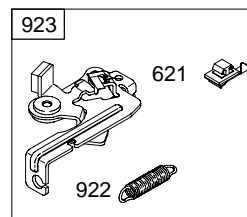
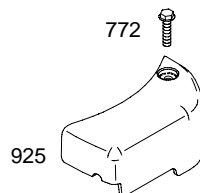
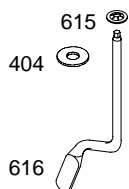
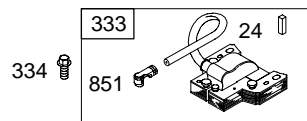
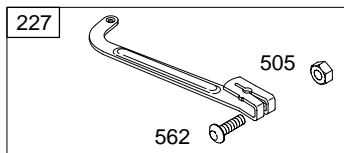
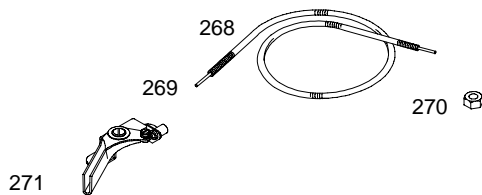
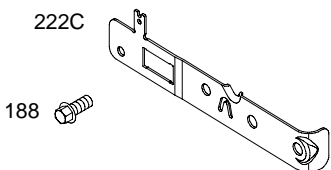
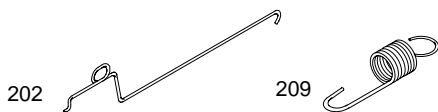
1058 OWNER'S MANUAL

1330 REPAIR MANUAL

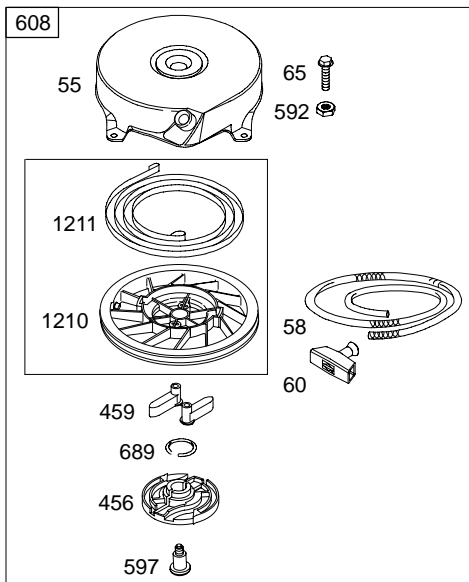




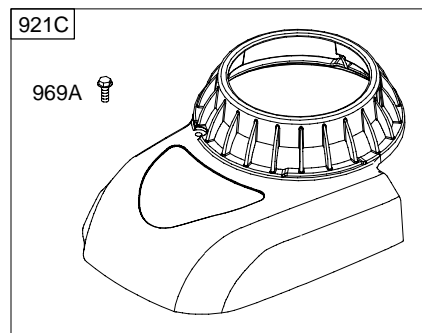
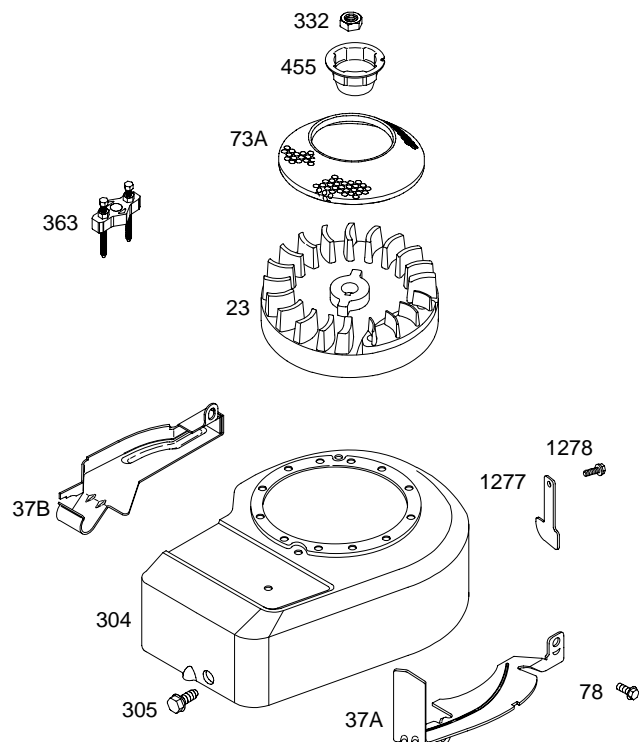
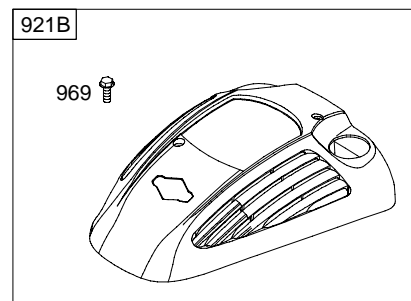
# 10L900



1036 EMISSIONS LABEL



1019 LABEL KIT



# 10L900

REF. NO.	PART NO.	DESCRIPTION	REF. NO.	PART NO.	DESCRIPTION	REF. NO.	PART NO.	DESCRIPTION
1	699650	Cylinder Assembly	37A	691209	Guard-Flywheel (Muffler Side)	271	691028	Lever-Control
2	399269	Kit-Bushing/Seal (Magneto Side)	37B	697403	Guard-Flywheel (Carburetor Side)	287	691002	Screw (Dipstick Tube)
3	299819	Seal-Oil (Magneto Side)	40	692194	Retainer-Valve	300A	394569	Muffler (Round Lo Tone)
4	698691	Sump-Engine	43	697799	Slinger-Governor/Oil	304	697411	Housing-Blower
5	790169	Head-Cylinder	45	691762	Tappet-Valve	305	692198	Screw (Blower Housing)
7	698717	Gasket-Cylinder Head	46	691998	Camshaft	332	690662	Nut (Flywheel)
8	699640	Breather Assembly	50	699644	Manifold-Intake	333	496914	Armature-Magneto
9	695890	Gasket-Breather	51	699649	Gasket-Intake	334	691061	Screw (Magneto Armature)
10	691666	Screw (Breather Assembly)	54	691111	Screw (Intake Manifold)	337	802592	Plug-Spark
11	691245	Tube-Breather	55	692144	Housing-Rewind Starter	356	692390	Wire-Stop
12	692218	Gasket-Crankcase	58	697316	Rope-Starter (88 5/8" Long)	358	699933	Gasket Set-Engine
13	691640	Screw (Cylinder Head)	60	691915	Grip-Starter Rope	363	19069	Puller-Flywheel
15	691680	Plug-Oil Drain	65	690837	Screw (Rewind Starter)	365	790029	Screw (Carburetor)
16	691472	Crankshaft	73A	699850	Screen-Rotating	383	89838	Wrench-Spark Plug
20	391483	Seal-Oil (PTO Side)	78	692198	Screw (Flywheel Guard)	390	691839	Spring-Choke Diaphragm
22	691662	Screw (Crankcase Cover/Sump)	90	790206	Carburetor	393	691837	Screen-Carburetor
23	692009	Flywheel	97	697414	Shaft-Throttle	394	495770	Diaphragm-Carburetor
24	222698	Key-Flywheel	106	691901	Seat-Inlet	404	690272	Washer (Governor Crank)
25	790908	Piston Assembly (Standard) (Used After Code Date 04111400).	130	691190	Valve-Throttle	455	691236	Cup-Flywheel
		----- Note -----	163	271139	Gasket-Air Cleaner	456	692299	Plate-Pawl Friction
		699657 Piston Assembly (Standard) (Used Before Code Date 04111500).	180	494406	Tank-Fuel	459	281505	Pawl-Ratchet
26	790909	Ring Set (Standard) (Used After Code Date 04111400).	188	692198	Screw (Control Bracket)	505	691251	Nut (Governor Control Lever)
		----- Note -----	190	691640	Screw (Fuel Tank) (1 3/4" Long)	523	692040	Dipstick
		699658 Ring Set (Standard) (Used Before Code Date 04111500).	190A	692198	Screw (Fuel Tank) (1/2" Long)	524	691876	Seal-Dipstick Tube
27	691588	Lock-Piston Pin	202	698835	Link-Mechanical Governor	525	691320	Tube-Dipstick
28	699659	Pin-Piston	209	698726	Spring-Governor (Pink) Used on Type No(s). 0441, 0469, 0480, 0488, 0517, 0536.	529	692189	Grommet
29	699654	Rod-Connecting	222C	698725	Bracket-Control	534	691417	Screw (Air Cleaner)
32	691664	Screw (Connecting Rod)	227	697402	Lever-Governor Control	535A	698369	Filter-Air Cleaner Foam
33	296676	Valve-Exhaust	268	691072	Casing-Control Wire (Cut To Required Length)	536A	698472	Cleaner-Air
34	296677	Valve-Intake	269	691026	Wire-Control (Cut To Required Length)	562	92613	Bolt (Governor Control Lever)
35	690520	Spring-Valve (Intake)	270	691027	Nut (Control Wire Casing)	592	690800	Nut (Rewind Starter)
36	690520	Spring-Valve (Exhaust)				597	691696	Screw (Pawl Friction Plate)

★ Engine Gasket Set-Reference 358

△ Valve Gasket Set-Reference 1095

**10L900**

REF. NO.	PART NO.	DESCRIPTION	REF. NO.	PART NO.	DESCRIPTION	REF. NO.	PART NO.	DESCRIPTION	
608	499706	Starter–Rewind	869	699641	Seat–Valve (Intake)	976	694394	Primer–Carburetor	
612	496046	Tube–Pick Up				1019	496757	Kit–Label	
615	690340	Retainer–Governor Shaft	870	699642	Seat–Valve (Exhaust)	1036	790713	Label–Emissions (Used After Code Date 04063000).	
616	697405	Crank–Governor	871	699643	Bushing–Valve Guide (Exhaust Valve)			----- <b>Note</b> -----	
617	270344	Seal–O Ring (Intake Manifold)			63709		699930	Emissions–Label (Used Before Code Date 04070100).	
621	692310	Switch–Stop							
633	691321	Seal–Choke/Throttle Shaft (Throttle)	913	494409	Seat–Check Valve	1058	275508	Operator’s Manual	
635	66538	Boot–Spark Plug	921B	698709	Cover–Blower Housing Used on Type No(s). 0441.	1095	498526	Gasket Set–Valve	
670	691633	Spacer–Fuel Tank			921C	699796	9210	499901	Pulley/Spring Assembly (Pulley)
689	691855	Spring–Friction							
718	690959	Pin–Locating (Cylinder)					1211	499901	Pulley/Spring Assembly (Spring)
718A	499047	Pin–Locating (Crankshaft)							
724	697478	Retainer–Seal	922	692135	Spring–Brake	1218	695866	Seal–O Ring (Carburetor)	
729	690586	Clip–Wire	923	691487	Brake				
741	691805	Gear–Timing	925	691349	Cover–Linkage Used on Type No(s). 0469, 0480, 0488, 0517, 0536.	1277	698718	Guard–Governor Nut	
745	691146	Screw (Brake) (7/8” Long)					1278	691002	Screw (Governor Nut Guard)
745A	690859	Screw (Brake) (1/2” Long)	957	497929	Cap–Fuel Tank	1330	270962	Repair Manual	
772	691111	Screw (Linkage Cover) (1 1/8” Long) Used on Type No(s). 0469, 0480, 0488, 0517, 0536.	969	694046	Screw (Blower Housing Cover) (2 1/3” Long) Used on Type No(s). 0441.				
842	691870	Seal–O Ring (Dipstick Tube)	969A	692523	Screw (Blower Housing Cover) (2/3” Long) Used on Type No(s). 0469, 0480, 0488, 0517, 0536.				
847	691440	Dipstick/Tube Assembly							
851	493880	Terminal–Spark Plug							
868	697338	Seal–Valve							

★ Engine Gasket Set–Reference 358

△ Valve Gasket Set–Reference 1095