

9K400 to 9K499

Illustrated Parts List

Model Series

9K400 to 9K499

TYPE NUMBERS
0022, 0023, 0024,
0115, 0116, 0117,
0118, 0119.

TO FIND

THE CORRECT NUMBER OF THE PART YOU NEED:

FOLLOW THE INSTRUCTIONS BELOW

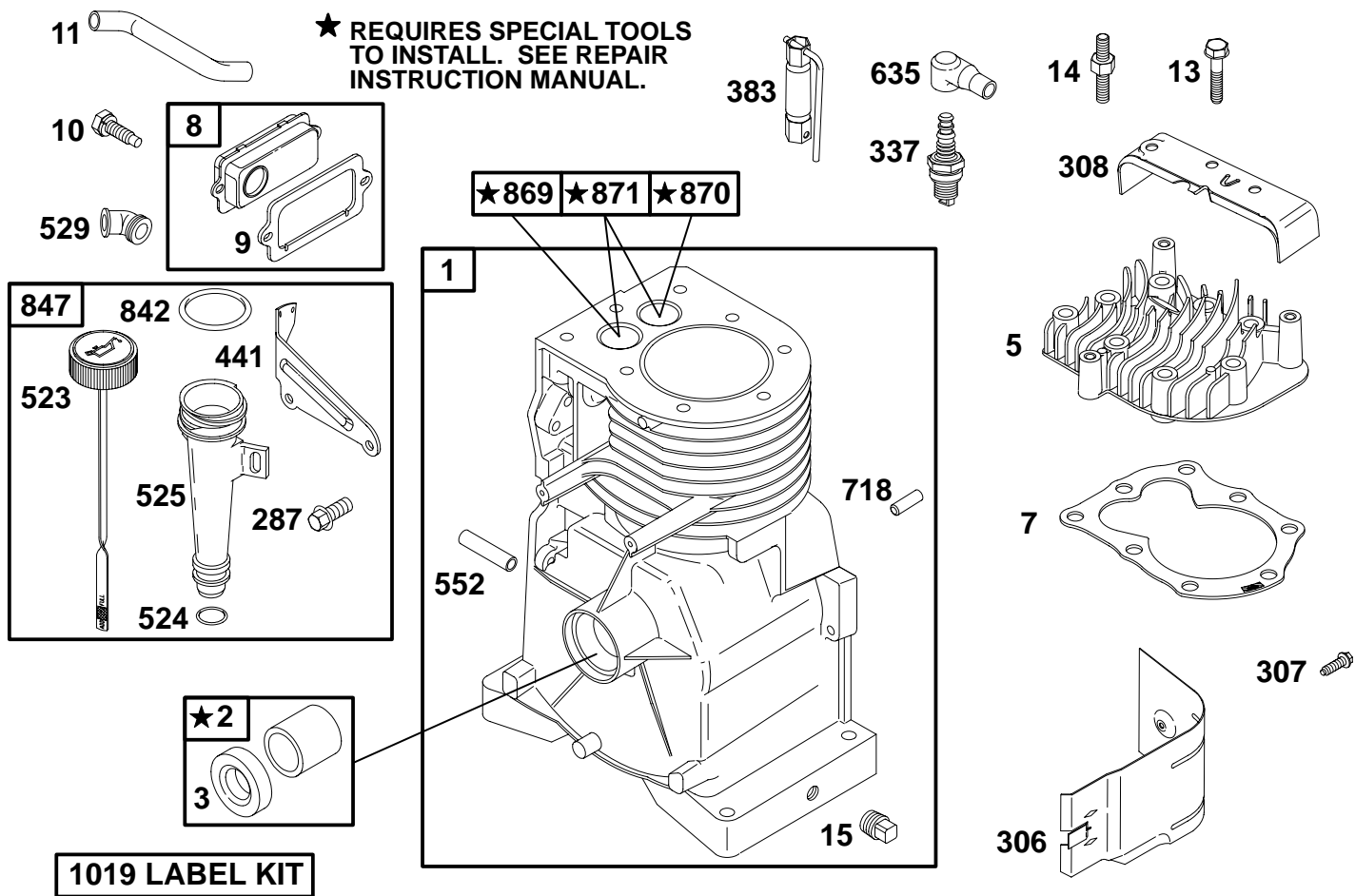
- A. Refer to Engine Model, Type and Code Number that is stamped on the blower housing of engine. Engine type numbers such as 0123 01 are listed only as 0123 in most instances. The two digits (01 or 02, etc.) to the right of the space may be required for more accurate parts identification in some instances. Select the Illustrated Parts List covering the correct Model Series and Type Number.
- B. Refer to the Illustrations and compare the original part with Illustration. The number next to the illustration is the Reference Number. Assemblies include all parts shown in frames. All parts shown in assembly frames having individual reference numbers can be purchased separately.
- C. After the Reference Number has been identified, refer to the Numerical text, where Reference and Primary Part Number are listed. **THE PRIMARY PART IS USED ON ALL TYPE NUMBERS EXCEPT THOSE TYPE NUMBERS UNDER "NOTE."**
- D. If a "Note" appears below the Primary Part Number, it means that this part differs from the Primary Part for certain types. If your Type number is listed under "Note," order the part referred to at the "Note."
- E. If your Engine Type Number does not appear after any part number listed under "Note," use the Primary Part Number.
- F. For Engine Type Numbers not covered by this book, check other Parts Lists having the same engine model or contact your source of supply.

PRINTED IN U.S.A.



COPYRIGHT by BRIGGS & STRATTON CORPORATION
All rights reserved. No part of this material may be reproduced or transmitted, in any form or by any means, electronic or mechanical, including photocopying, recording or by any information storage and retrieval system, without permission in writing from Briggs & Stratton Corporation.

9K400 to 9K499

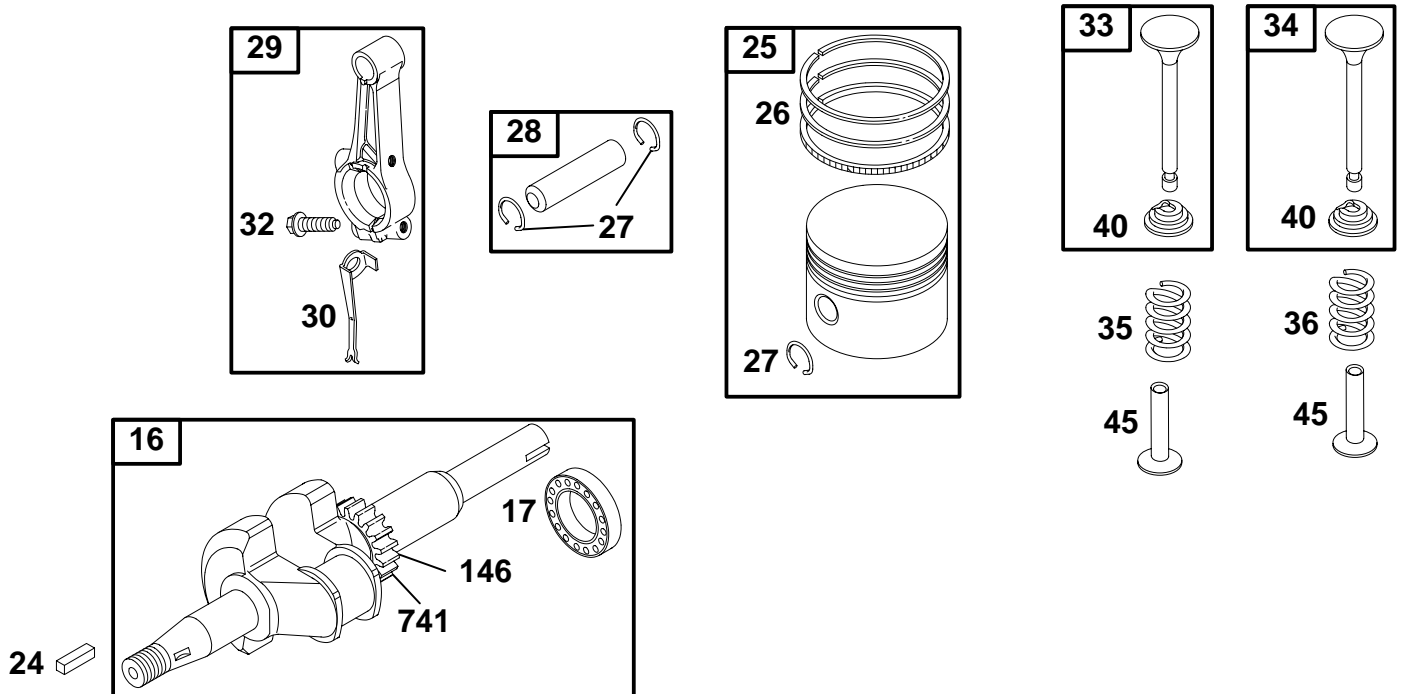


REF. NO.	PART NO.	DESCRIPTION	REF. NO.	PART NO.	DESCRIPTION	REF. NO.	PART NO.	DESCRIPTION
1	695165	Cylinder Assembly (Used After Code Date 99103100). Note 496864 Cylinder Assembly (Used Before Code Date 99110100).	14	690361	Stud (Cylinder Head) (Used in Number 6 and 8 Positions)	523	691395	Dipstick
2	399269	Kit-Bushing/Seal (Magneto Side)	15	94916	Plug-Oil Drain	524	★271485	Seal-Dipstick Tube
3	★299819	Seal-Oil (Magneto Side)	287	94929	Screw (Dipstick Tube)	525	694531	Tube-Dipstick
5	692636	Head-Cylinder	306	690461	Shield-Cylinder (Cylinder Shield) (Used After Code Date 98042100).	529	66578	Grommet
7	★Ø272694	Gasket-Cylinder Head	307	94680	Screw (Cylinder Shield) (Used Before Code Date 98042200).	552	690508	Bushing-Governor Crank
8	495774	Breather Assembly	308	690462	Cover-Cylinder	635	66538	Boot-Sparkplug
9	★Ø27549	Gasket-Breather	337	496018	Sparkplug	718	230192	Pin-Locating (Cylinder)
10	691666	Screw (Breather Assembly)	441	690484	Bracket-Oil Fill	842	★270920	Seal-Dipstick/Tube
11	691246	Tube-Breather				847	690848	Dipstick/Tube Assembly
13	94221	Screw (Cylinder Head)				869	211172	Seat-Valve (Intake)
						870	211291	Seat-Valve (Exhaust)
						871	262001	Bushing-Valve Guide
						1019	692731	Kit-Label

★ Included in Engine Gasket Set-Ref. No. 358
● Included in Carburetor Overhaul Kit-Ref. No. 121

◆ Included in Carburetor Gasket Set-Ref. No. 977
◊ Included in Valve Gasket Set-Ref. No. 1095

9K400 to 9K499

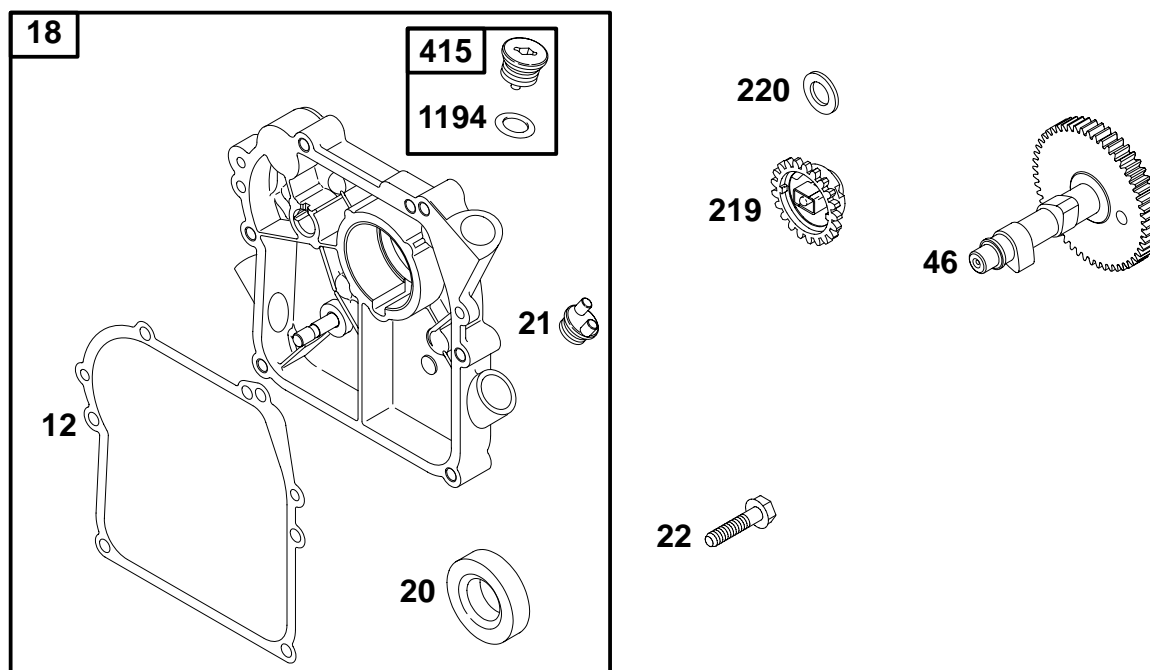


REF. NO.	PART NO.	DESCRIPTION	REF. NO.	PART NO.	DESCRIPTION	REF. NO.	PART NO.	DESCRIPTION
16	692146	Crankshaft Note 692145 Crankshaft Used On Type No(s). 0118, 0117. 492095 Crankshaft Used On Type No(s). 0022. 399006 Crankshaft Used on Type No(s). 0023.	26	695169	Ring Set (Standard) (Used After Code Date 99103100). Note 498680 Ring Set (Standard) (Used Before Code Date 99110100).			695173 Ring Set-030 (.030 O.S.) (Used After Code Date 99103100). 498683 Ring Set-030 (.030 O.S.) (Used Before Code Date 99103100).
17	690824	Bearing-Ball			695171 Ring Set-010 (.010 O.S.) (Used After Code Date 99103100)	27	26026	Lock-Piston Pin
24	222698	Key-Flywheel			498681 Ring Set-010 (.010 O.S.) (Used Before Code Date 99103100).	28	298909	Pin-Piston
25	498676	Piston Assembly-Std (Standard) Note 498677 Piston Assembly-010 (.010 O.S.) 498678 Piston Assembly-020 (.020 O.S.) 498679 Piston Assembly-030 (.030 O.S.)			695172 Ring Set-020 (.020 O.S.) (Used After Code Date 99103100). 498682 Ring Set-020 (.020 O.S.) (Used Before Code Date 99103100).	29	294367	Rod-Connecting
						30	220670	Dipper-Connecting Rod
						32	94699	Screw (Connecting Rod)
						33	497871	Valve-Exhaust
						34	296677	Valve-Intake
						35	260552	Spring-Valve (Intake)
						36	260552	Spring-Valve (Exhaust)
						40	93312	Retainer-Valve
						45	230173	Tappet -Valve
						146	499047	Key-Timing
						741	261533	Gear-Timing

★ Included in Engine Gasket Set-Ref. No. 358
 ● Included in Carburetor Overhaul Kit-Ref. No. 121

◆ Included in Carburetor Gasket Set-Ref. No. 977
 ◊ Included in Valve Gasket Set-Ref. No. 1095

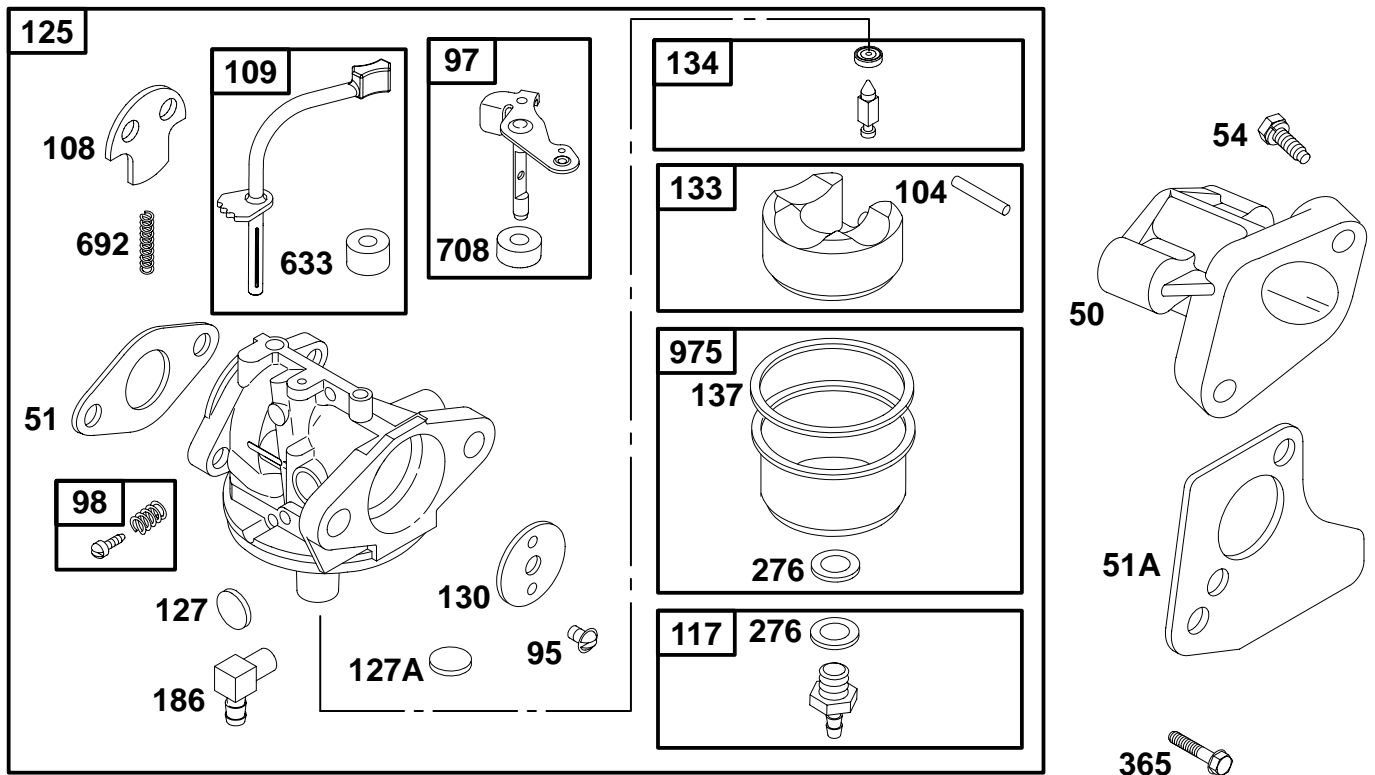
9K400 to 9K499



REF. NO.	PART NO.	DESCRIPTION	REF. NO.	PART NO.	DESCRIPTION	REF. NO.	PART NO.	DESCRIPTION
12	★270833	Gasket-Crankcase (.015 Thick, Standard)	22	691129	Screw (Crankcase Cover) (Used After Code Date 98042100).	46	493747	Camshaft
		Note			Note	219	496786	Gear-Governor
		★270895 Gasket-Crankcase-005 (.005 Thick)			691128 Screw (Crankcase Cover) (Used In Position Number 1 & 6)	220	221551	Washer (Governor Gear)
		★270896 Gasket-Crankcase-009 (.009 Thick)			691128 Screw (Crankcase Cover) (Used Only In Position Number 1) (Used After Code Date 98042100). Used On Type No(s). 0117.	415	691363	Plug (For High Oil Fill)
18	497502	Cover-Crankcase			94682 Screw (Crankcase Cover) (Used Before Code Date 98042200).	1194	★271485	O-Ring Seal (Plug)
20	★495355	Seal-Oil (PTO Side)						
21	281658	Cap-Oil Fill						

★ Included in Engine Gasket Set-Ref. No. 358
● Included in Carburetor Overhaul Kit-Ref. No. 121

◆ Included in Carburetor Gasket Set-Ref. No. 977
⊙ Included in Valve Gasket Set-Ref. No. 1095

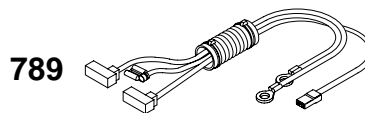
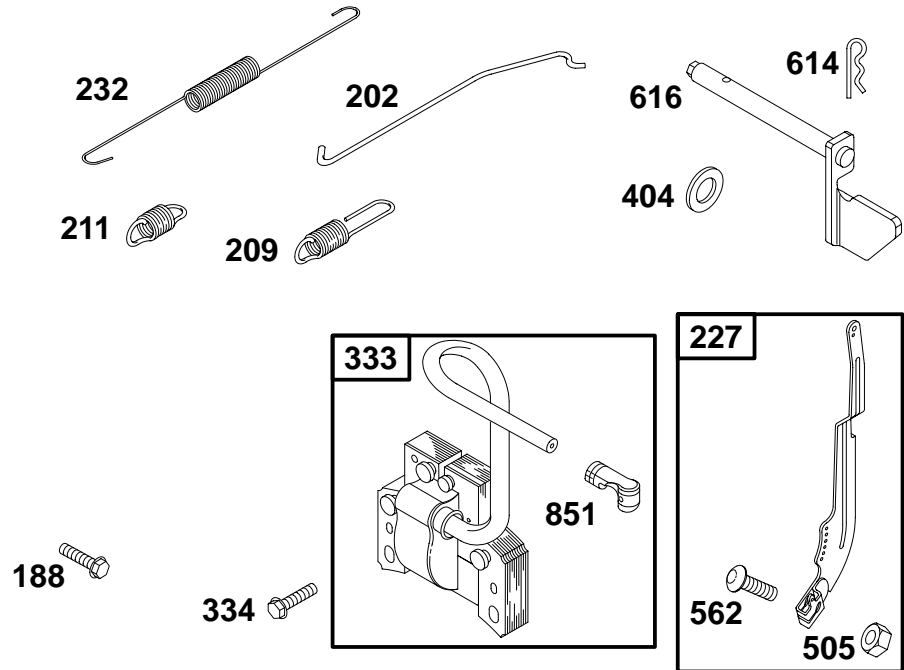
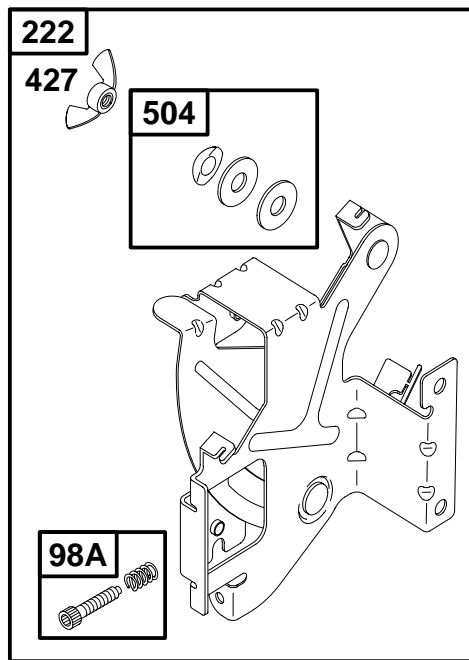


REF. NO.	PART NO.	DESCRIPTION	REF. NO.	PART NO.	DESCRIPTION	REF. NO.	PART NO.	DESCRIPTION
50	281247	Manifold-Intake	109	496860	Shaft-Choke	365	94920	Screw (Carburetor)
51	★272295	Gasket-Intake	117	692643	Jet-Main	633	◆693867	Seal-Choke/Throttle Shaft (Choke Shaft)
51A	★273113	Gasket-Intake	125	692644	Carburetor	692	690572	Spring-Detent
54	94923	Screw (Intake Manifold)	127	◆694468	Plug-Welch	708	◆691321	Seal-Choke/Throttle Shaft (Throttle Shaft)
95	94098	Screw (Throttle Valve)	127A	◆223472	Plug-Welch	975	493640	Bowl-Float
97	496861	Shaft-Throttle	130	691181	Valve-Throttle			
98	398185	Kit-Idle Speed	133	398187	Float-Carburetor			
104	◆691242	Pin-Float Hinge	134	◆398188	Kit-Needle/Seat			
108	692567	Valve-Choke	137	◆693981	Gasket-Float Bowl			
			186	493496	Connector-Hose			
			276	◆271716	Washer-Sealing			

★ Included in Engine Gasket Set-Ref. No. 358
 ● Included in Carburetor Overhaul Kit-Ref. No. 121

◆ Included in Carburetor Gasket Set-Ref. No. 977
 ○ Included in Valve Gasket Set-Ref. No. 1095

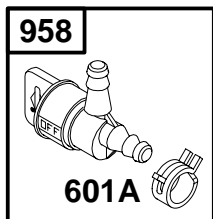
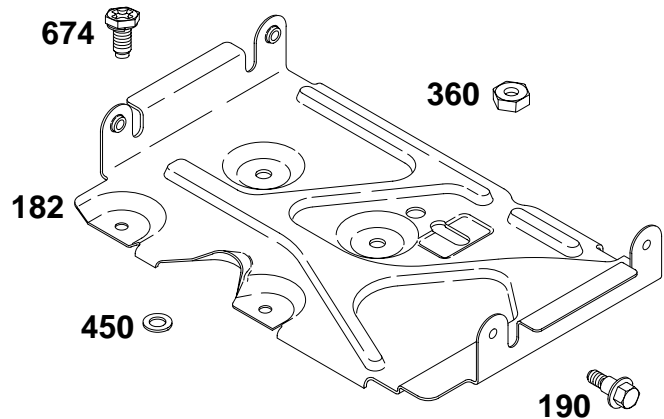
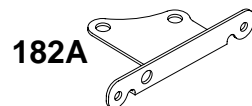
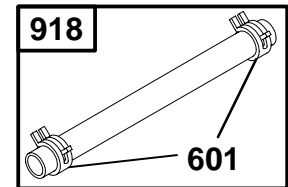
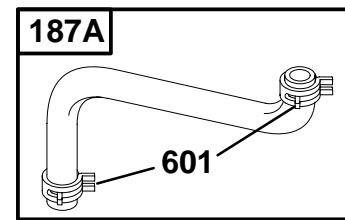
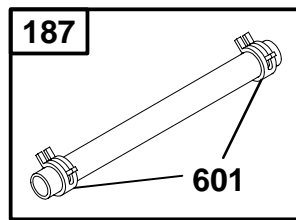
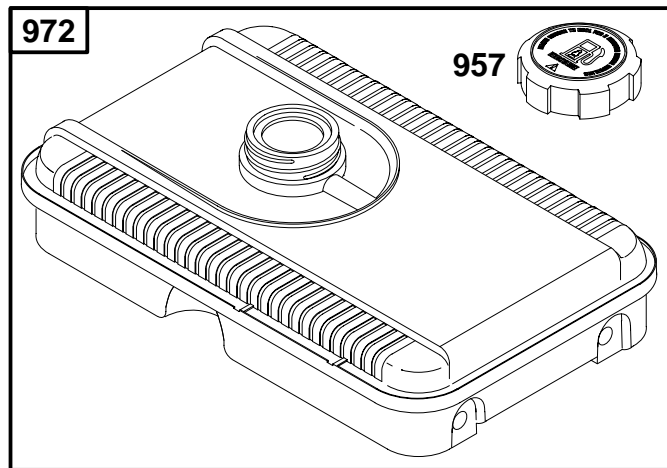
9K400 to 9K499



REF. NO.	PART NO.	DESCRIPTION	REF. NO.	PART NO.	DESCRIPTION	REF. NO.	PART NO.	DESCRIPTION
98A	493280	Kit-Idle Speed	232	262959	Spring-Governor Link	504	495659	Washer Set-Friction
188	94118	Screw (Control Bracket)	333	496914	Armature-Magneto	505	231082	Nut (Governor Control Lever)
202	692351	Link-Mechanical Governor	334	94731	Screw (Magneto Armature)	562	92613	Bolt (Governor Control Lever)
209	263095	Spring-Governor	347	691396	Switch-Rocker	614	93306	Pin-Cotter
		Note			Note	616	495243	Crank-Governor
		263107 Spring-Governor			493521 Switch-Rocker	789	693397	Harness-Wiring
		Used On Type No(s). 0118, 0023, 0117.			Used On Type No(s). 0117.	851	493880	Terminal-Sparkplug
211	263028	Spring-Governed Idle	356	693010	Wire-Stop (Armature to Switch)			
222	691411	Bracket-Control	404	94927	Washer (Governor Crank)			
227	691412	Lever-Governor Control	427	690355	Nut (Control Bracket)			

★ Included in Engine Gasket Set-Ref. No. 358
● Included in Carburetor Overhaul Kit-Ref. No. 121

◆ Included in Carburetor Gasket Set-Ref. No. 977
⊘ Included in Valve Gasket Set-Ref. No. 1095

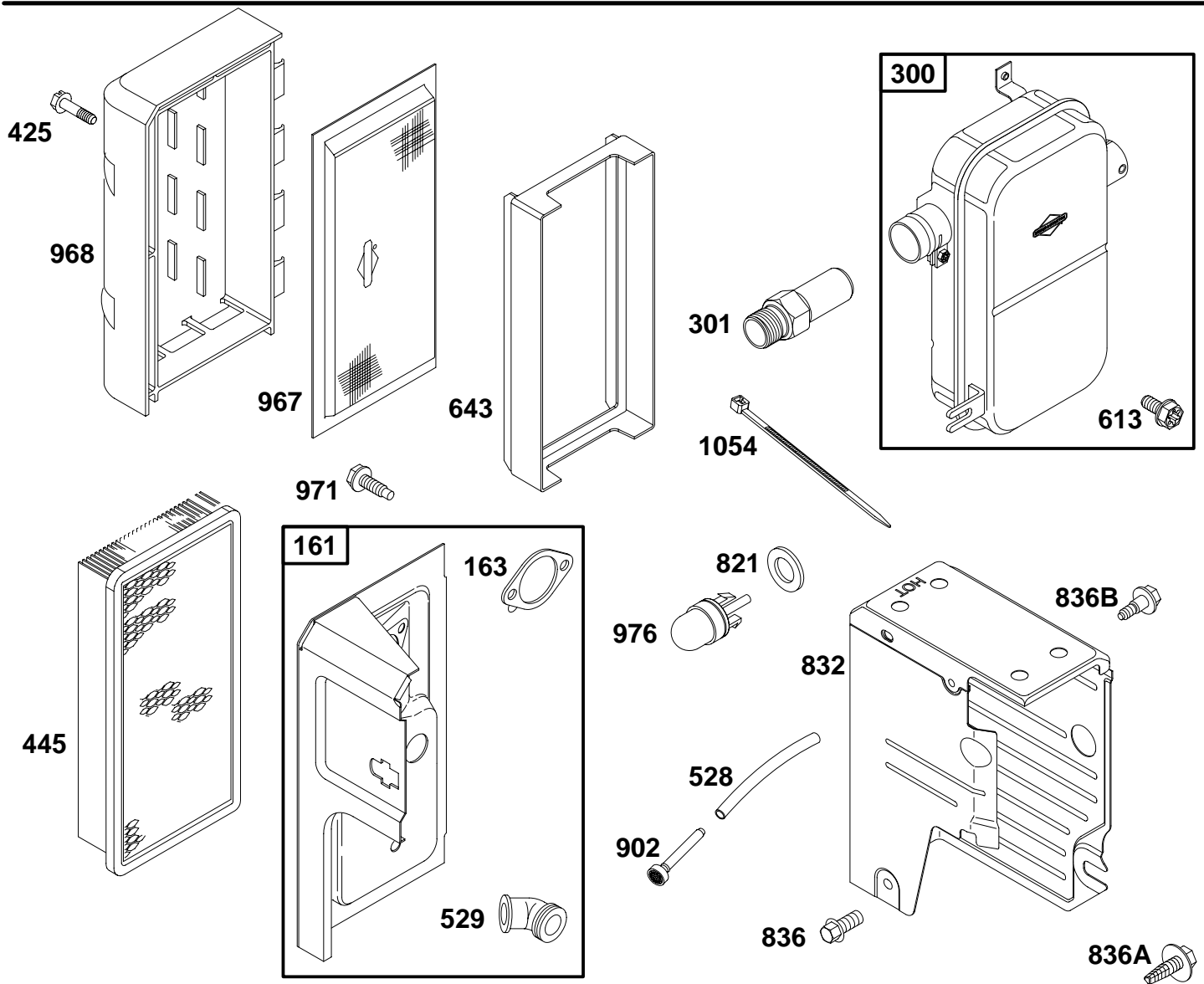


REF. NO.	PART NO.	DESCRIPTION	REF. NO.	PART NO.	DESCRIPTION	REF. NO.	PART NO.	DESCRIPTION
182	690485	Bracket-Fuel Tank	527	690423	Clamp-Tube Used On Type No(s). 0023, 0117.	957	692665	Cap-Fuel Tank (For Kerosene Fuel Tank)
182A	692658	Bracket-Fuel Tank	601	93053	Clamp-Hose (Green)	957A	692662	Cap-Fuel Tank (For Auxilliary Petrol Fuel Tank)
187	298049	Line-Fuel	601A	93807	Clamp-Hose (Black)	958	494769	Valve-Fuel Shut Off
187A	495218	Line-Fuel (Molded)	674	691108	Screw (Fuel Tank Bracket)	972	692664	Tank-Fuel (Kerosene Fuel Tank)
190	94895	Screw (Fuel Tank)	918	393815	Hose-Vacuum			
240	298090	Fuel Filter						
360	691105	Nut (Fuel Tank Bracket)						
450	692635	Washer (Fuel Tank Bracket)						

★ Included in Engine Gasket Set-Ref. No. 358
● Included in Carburetor Overhaul Kit-Ref. No. 121

◆ Included in Carburetor Gasket Set-Ref. No. 977
⊘ Included in Valve Gasket Set-Ref. No. 1095

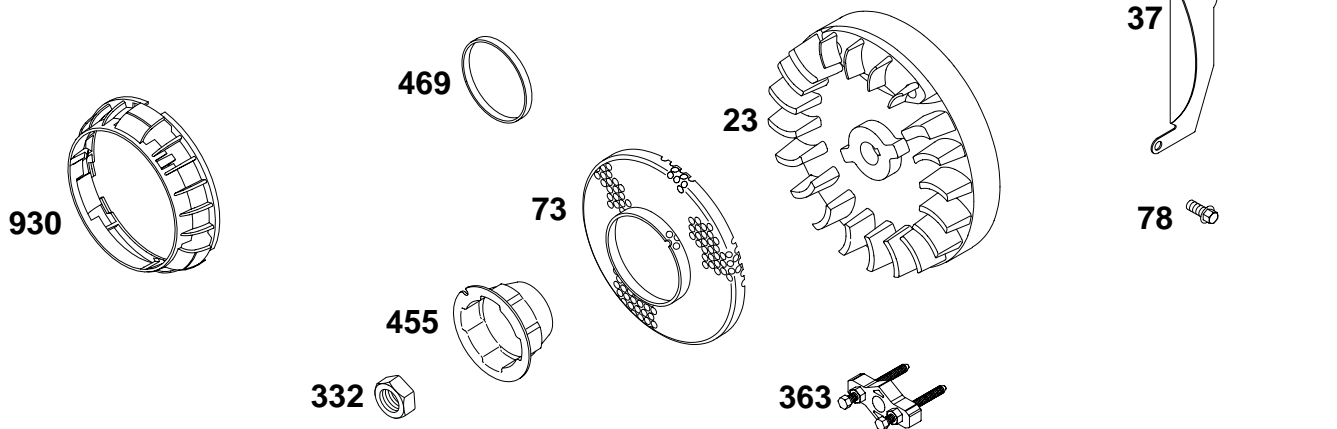
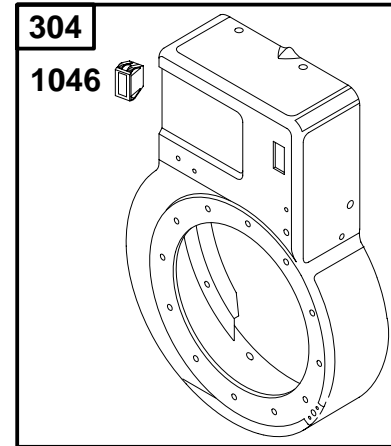
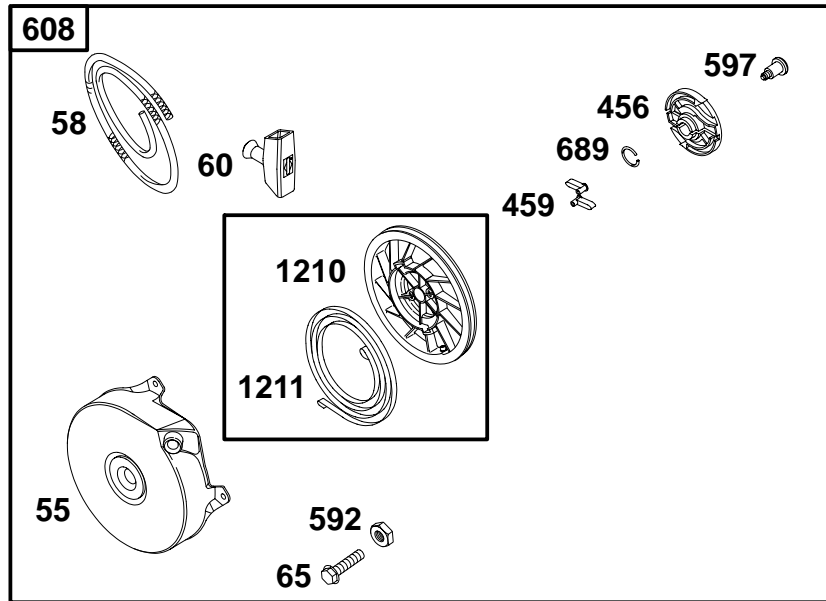
9K400 to 9K499



REF. NO.	PART NO.	DESCRIPTION	REF. NO.	PART NO.	DESCRIPTION	REF. NO.	PART NO.	DESCRIPTION
161	692657	Base—Air Cleaner	529	66578	Grommet	836B	94895	Screw (Muffler Guard)
163	★Ø272948	Gasket—Air Cleaner	613	94905	Screw (Exhaust Muffler)	902	692741	Filter—Primer
300	692365	Muffler	643	280871	Retainer—Air Filter (Carburetor Primer)	967	492889	Filter—Pre Cleaner
301	690526	Pipe—Exhaust	821	692661	Washer (Muffler Guard)	968	691327	Cover—Air Cleaner
425	94872	Screw (Air Cleaner Cover)	832	692368	Guard—Muffler	971	690370	Screw (Air Cleaner Base)
445	494511	Filter—Air Cleaner Cartridge	836	94929	Screw (Muffler Guard)	976	692666	Primer—Carburetor
528	692792	Hose—Primer (Cut to Required Length)	836A	94914	Screw (Muffler Guard)	1054	280275	Tie—Cable

★ Included in Engine Gasket Set—Ref. No. 358
 ● Included in Carburetor Overhaul Kit—Ref. No. 121

◆ Included in Carburetor Gasket Set—Ref. No. 977
 ○ Included in Valve Gasket Set—Ref. No. 1095

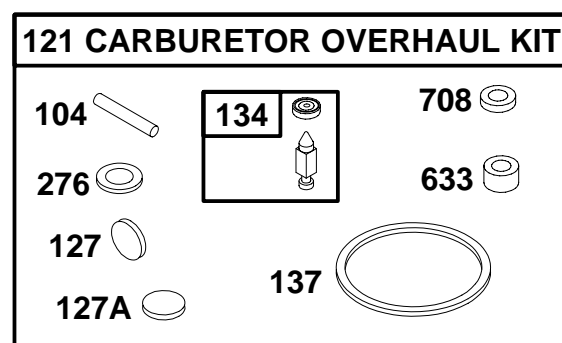
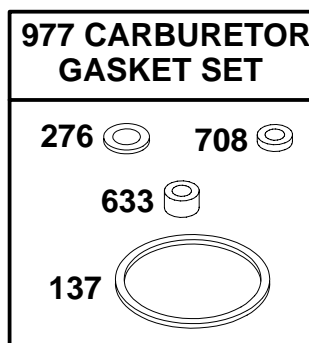
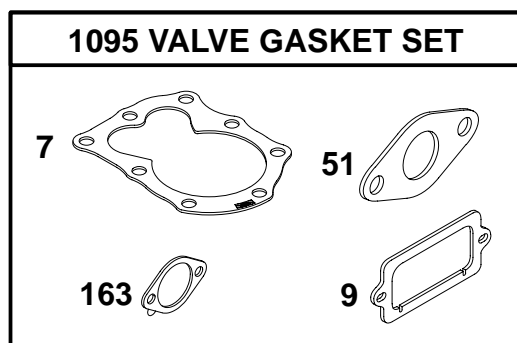
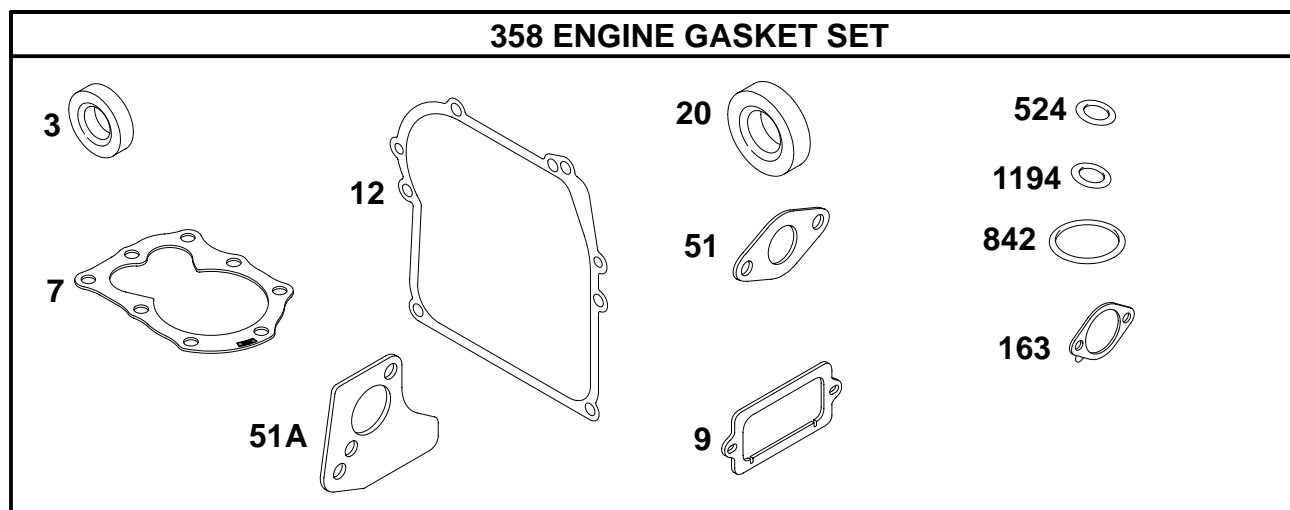


REF. NO.	PART NO.	DESCRIPTION	REF. NO.	PART NO.	DESCRIPTION	REF. NO.	PART NO.	DESCRIPTION
23	690843	Flywheel	305	94786	Screw (Blower Housing)	597	94943	Screw (Pawl Friction Plate)
37	690463	Guard-Flywheel	332	94877	Nut (Flywheel)	608	690101	Starter-Rewind
55	692144	Housing-Rewind Starter	363	19069	Flywheel Puller	689	263073	Spring-Friction
58	280399	Rope-Starter	455	691236	Cup-Flywheel	930	691348	Guard-Rewind
60	281101	Grip-Starter Rope	456	281503	Plate-Pawl Friction	1046	691337	Plug-Blower Housing
65	94904	Screw (Rewind Starter)	459	281505	Pawl-Ratchet	1210	499901	Pulley/Spring Assembly (Pulley)
73	694018	Screen-Rotating	469	694420	Ring-Rotating Trim	1211	499901	Pulley/Spring Assembly (Spring)
78	690364	Screw (Flywheel Guard)	592	94908	Nut (Rewind Starter)			
304	692622	Housing-Blower						

★ Included in Engine Gasket Set-Ref. No. 358
 ● Included in Carburetor Overhaul Kit-Ref. No. 121

◆ Included in Carburetor Gasket Set-Ref. No. 977
 ○ Included in Valve Gasket Set-Ref. No. 1095

9K400 to 9K499



REF. NO.	PART NO.	DESCRIPTION	REF. NO.	PART NO.	DESCRIPTION	REF. NO.	PART NO.	DESCRIPTION
3	★299819	Seal-Oil (Magneto Side)	20	★495355	Seal-Oil (PTO Side)	358	496865	Gasket Set-Engine
7	★Ø272694	Gasket-Cylinder Head	51	★Ø272295	Gasket-Intake	524	★271485	Seal-Dipstick Tube
9	★Ø27549	Gasket-Breather	51A	★273113	Gasket-Intake	633	◆◆693867	Seal-Choke/Throttle Shaft (Choke Shaft)
12	★270833	Gasket-Crankcase (.015 Thick, Standard)	104	◆691242	Pin-Float Hinge	708	◆◆691321	Seal-Choke/Throttle Shaft (Throttle Shaft)
<p align="center">Note</p> <p>★270895 Gasket-Crankcase-005 (.005 Thick)</p> <p>★270896 Gasket-Crankcase-009 (.009 Thick)</p>			121	498260	Kit-Carburetor Overhaul	842	★270920	Seal-Dipstick/Tube
			127	◆694468	Plug-Welch	977	490937	Gasket Set-Carburetor
			127A	◆223472	Plug-Welch	1095	498525	Gasket Set-Valve
			134	◆398188	Kit-Needle/Seat	1194	★271485	O-Ring Seal (Plug)
			137	◆◆693981	Gasket-Float Bowl			
			163	★Ø272948	Gasket-Air Cleaner			
			276	◆◆271716	Washer-Sealing			

★ Included in Engine Gasket Set-Ref. No. 358
 ● Included in Carburetor Overhaul Kit-Ref. No. 121

◆ Included in Carburetor Gasket Set-Ref. No. 977
 ○ Included in Valve Gasket Set-Ref. No. 1095