

FORM MS- 8620

4/85

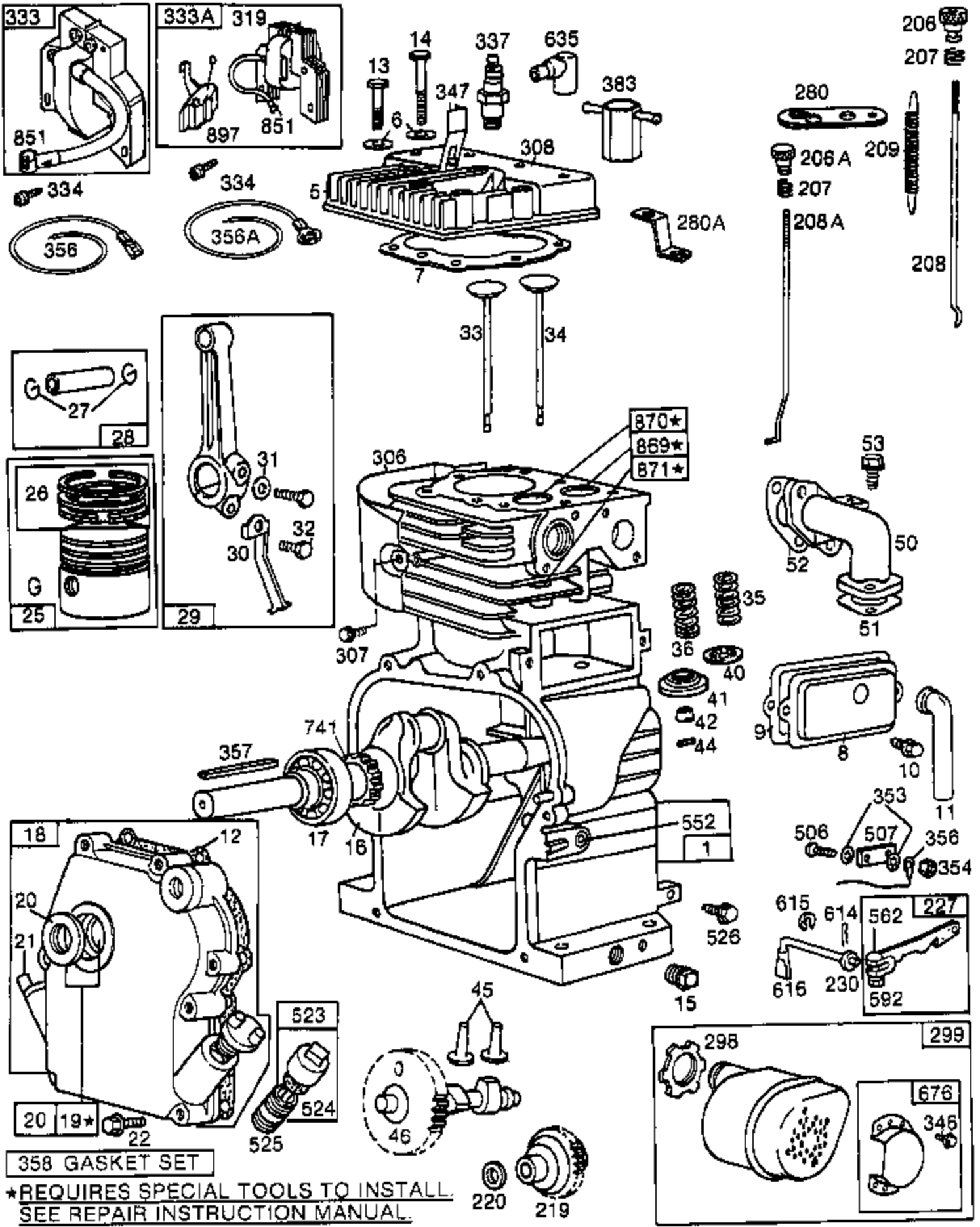
Illustrated Parts List

Model Series

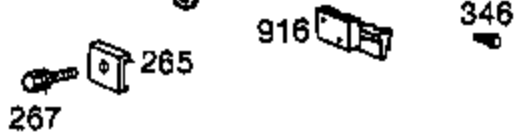
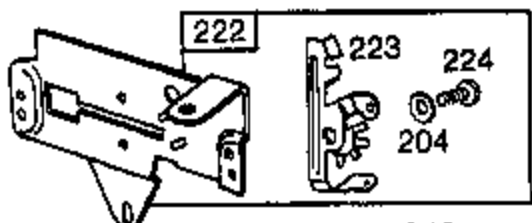
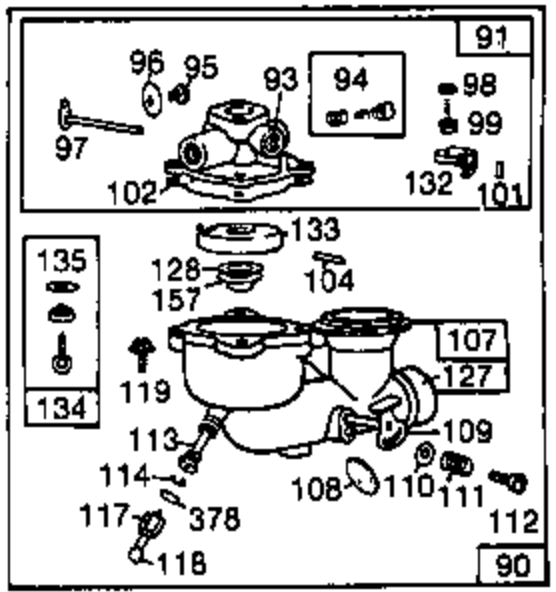
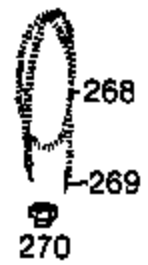
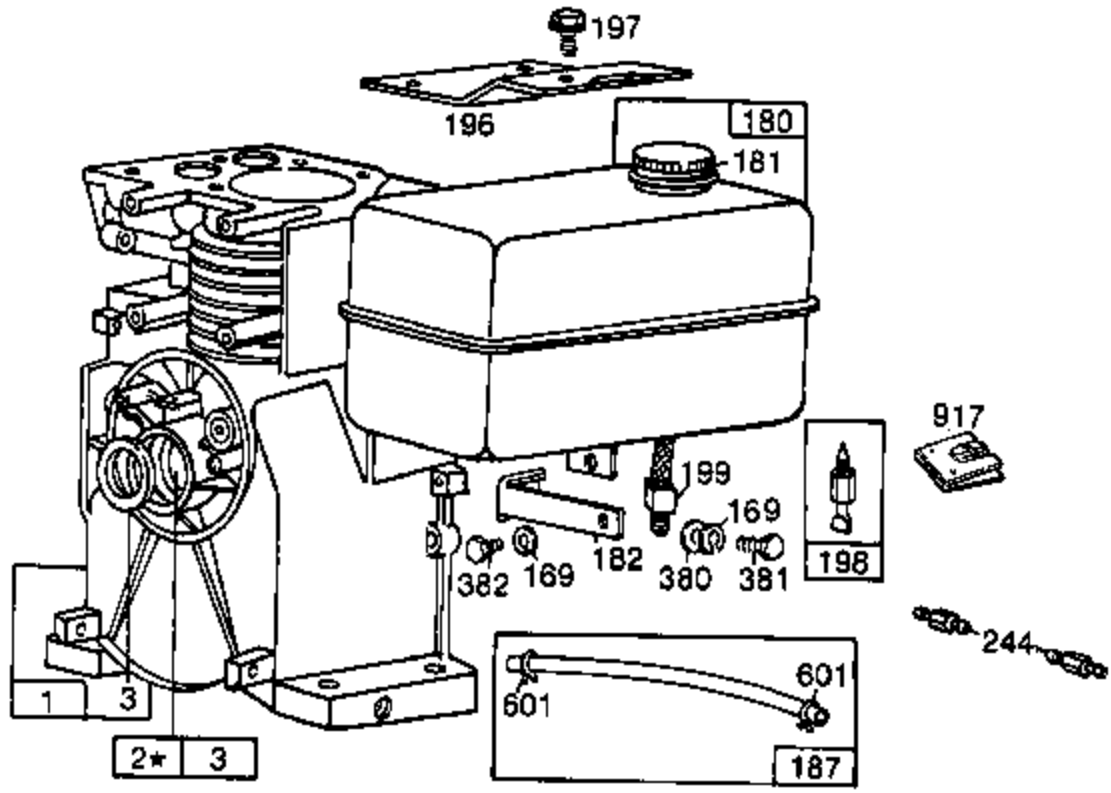
81400 to 81499

TYPE NUMBERS

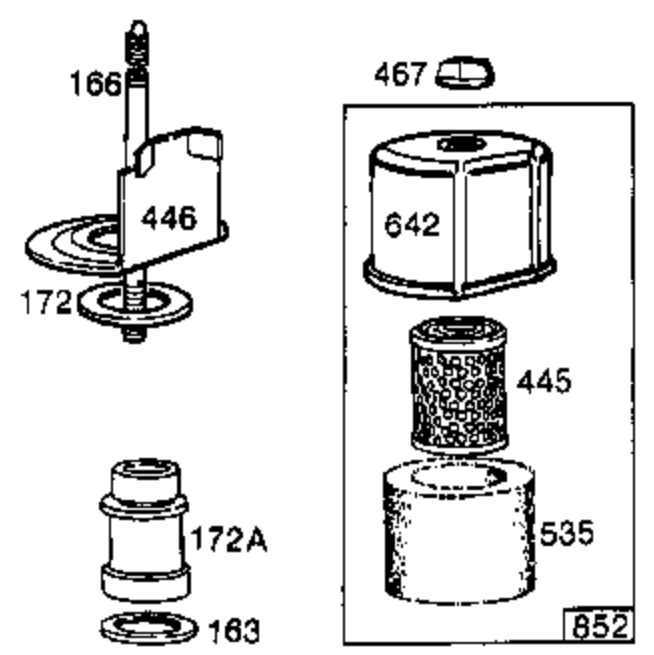
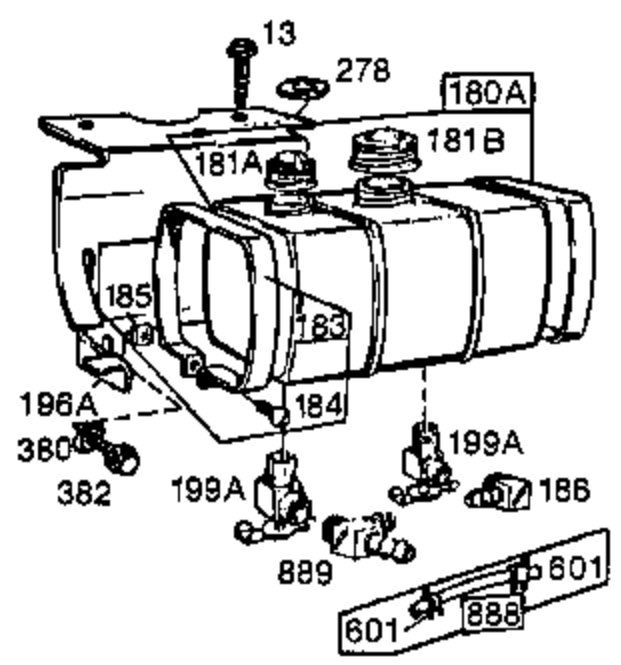
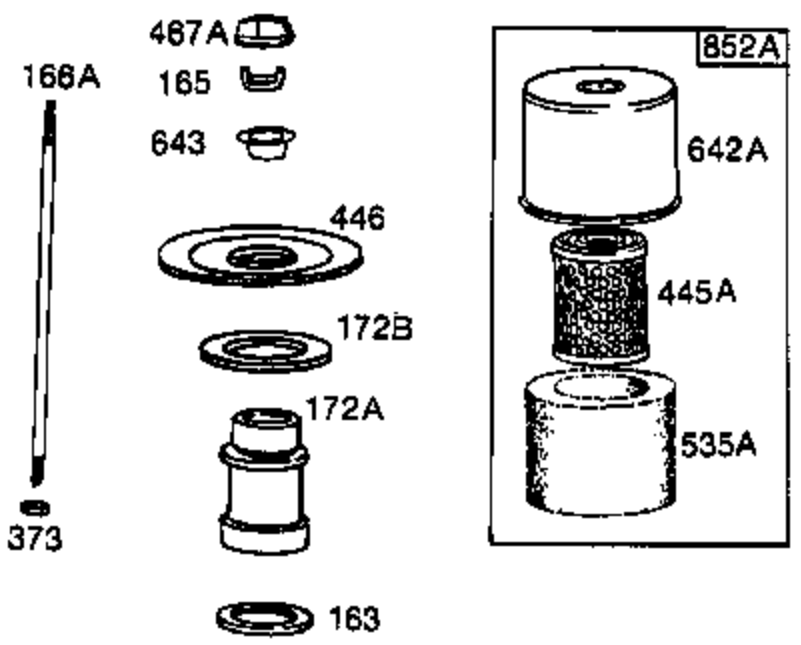
8111, 8130, 8300, 8573

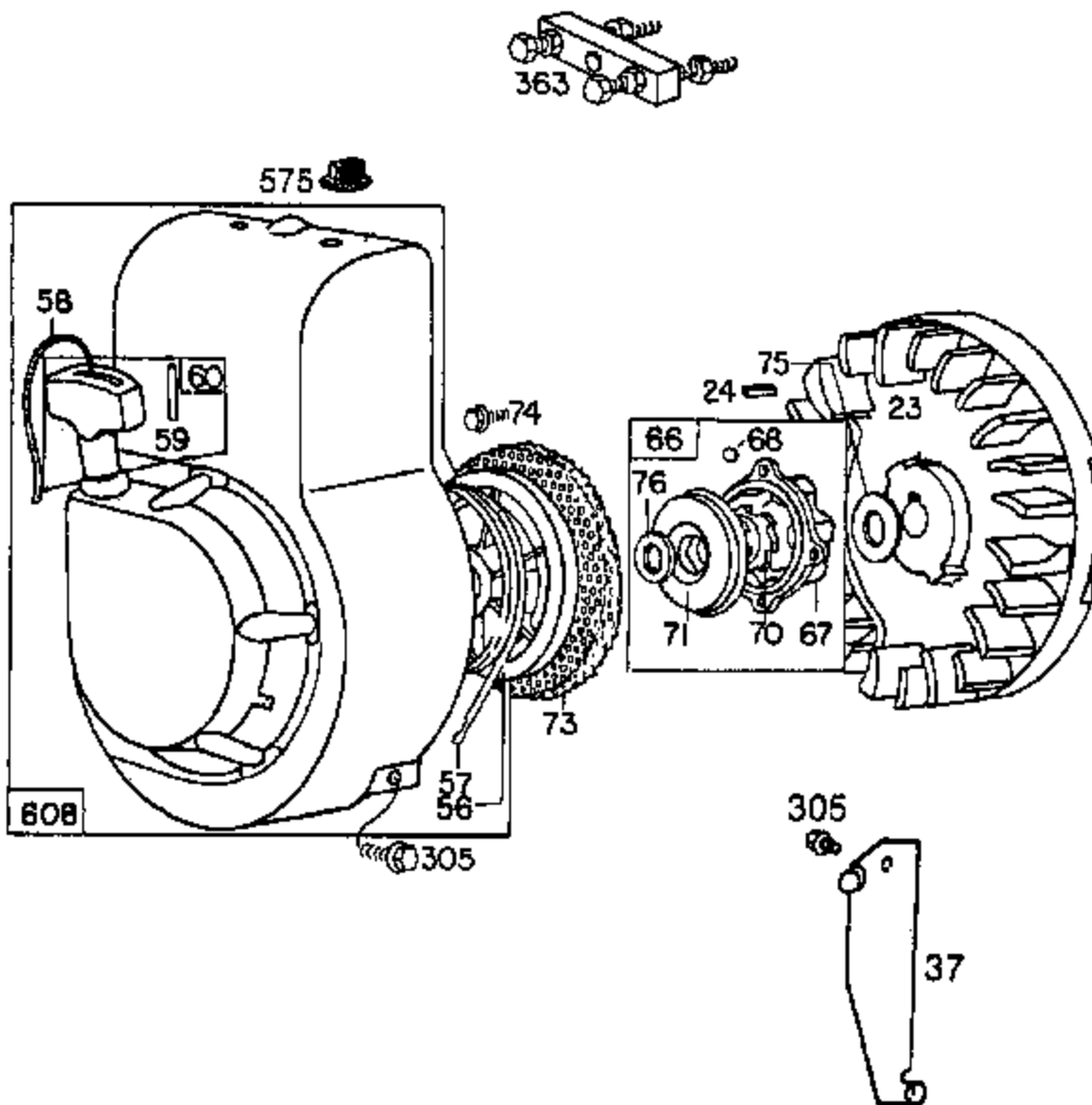


358 GASKET SET
 *REQUIRES SPECIAL TOOLS TO INSTALL.
 SEE REPAIR INSTRUCTION MANUAL.



*REQUIRES SPECIAL TOOLS TO INSTALL.
SEE REPAIR INSTRUCTION MANUAL.





- 1 395567 Cylinder Assembly
- 2 231271 Bushing--Cylinder
Note: Requires special tools
for installation.
- 3 299819 Seal--Oil
- 5 210812 Head--Cylinder
Note: 210623 Head--Cylinder
Used on Type No.
8130.
- 6 22963 Washer--Plain
- 7 *27670 Gasket--Cylinder
Head
- 8 294178 Breather--Valve
Chamber
- 9 *27549 Gasket--Valve Cover
- 10 93394 Screw--Breather
Mounting Sem
- 11 271489 Tube--Breather
- 12 *270833 Gasket--Crankcase--
.015" thick (Standard)
- *270895 Gasket--Crankcase--
.005"
thick
- *270896 Gasket--Crankcase--
.009" thick
- 13 91386 Screw--Cylinder
Head
(2" long)
- 14 93113 Screw--Cylinder
Head
(2-5/16" Long)
- 15 91249 Plug--Pipe, 1/4"
Std.,
Square Head

- To Replace Crankshaft
Gear Pin, Order Part
No. 230978.
- 16 397250 Crankshaft Group
Note: 397251 Crankshaft
Group
Used on Type No.
8130.
- 17 99158 Bearing--Ball
- 18 395259 Cover Assembly--
Crankcase
Used on Model Series
81432.
- 20 393812 Seal--Oil
- 21 66768 Plug--Oil Filler
- 22 93032 Screw--Crankcase
Cover Mtg. Sem
- 23 296884 Flywheel--Magneto
- 24 222698 Key--Flywheel
(For MAGNETRON®
Ignition)
- 25 295455 Piston
Assembly--Std.
- 295456 Piston Assembly--
.010" O. S.
- 295457 Piston Assembly--
.020" O. S.
- 295458 Piston Assembly--
.030" O. S.

MODEL 81400 SERIES RING SETS:

- Note: For Chrome Piston
Ring Set--Standard
Size--Order Part No.
297201.
- 26 295657 Ring Set--Std.
Piston
- 295658 Ring Set--.010"
O. S.
Piston
- 295659 Ring Set--.020"

		O. S. Piston
	295660	Ring Set-- .030" O. S. Piston
27	26026	Lock--Piston Pin
28	298909	Pin Assembly-- Piston--Standard
	298908	Pin Assembly-- Piston-- .005" O. S.
29	294367	Rod Assembly-- Connecting
	Note:	For Connecting Rod with .020" Undersize Crankpin Bore-- Order No. 296079.
30	220670	Dipper-- Connecting Rod
31	222282	Washer-- Connecting Rod (Opposite Dipper)
32	92296	Screw-- Connecting Rod
33	260443	Valve-- Exhaust (Cobalite®) (with Hole in Stem)
34	296677	Valve-- Intake (Grooved Stem - Includes Retainer No. 93312)
35	260552	Spring-- Intake Valve
36	26826	Spring-- Exhaust Valve
37	220971	Guard-- Flywheel
40	93312	Retainer-- Valve Spring Used with Valves with groove in stem
41	292259	Rotocap-- Exhaust Valve
42	230127	Retainer-- Exhaust Valve Rotocap
44	230126	Pin-- Exhaust Valve Rotocap Retainer
45	230173	Tappet-- Valve
46	394800	Gear-- Cam
50	210810	Elbow-- Intake
51	*†68987	Gasket-- Carburetor Mounting
52	*27355	Gasket-- Intake Elbow Mounting
53	93357	Screw-- Carburetor and Intake Elbow Mounting
56	280439	Pulley-- Rewind Starter
57	294303	Spring-- Rewind Starter
58	280406	Rope-- Rewind Starter-- 81" Long

Note: If longer rope is
needed,
Order No. 66684 and
cut to required length.

59	230228	Pin-- Starter Rope
60	393152	Grip-- Starter Rope
66	394558	Clutch Assembly-- Rewind Starter
67	394897	Housing-- Starter Clutch
68	63770	Ball-- Clutch
70	298436	Ratchet-- Rewind Starter
71	221653	Washer-- Clutch Retainer
73	221661	Screen-- Starter

		Pulley
74	93490	Screw- - Sem
75	220865	Washer- - Spring
76	68238	Washer- - Ratchet Sealing
90	395395	Carburetor Assembly
	Note: 398096	Carburetor Assy. (Kerosene) Used on Type No. 8130.
91	393978	Housing Assembly- - Throttle
93	23230	Bushing- - Throttle Shaft
94	+292681	Valve Assembly- - Carburetor Idle
95	93499	Screw- - Throttle Valve Mounting Sem
96	222972	Valve- - Throttle
97	393827	Shaft and Lever- - Throttle
98	91920	Screw- - Machine, Fill. Hd. - - 8- 32 x 5/8"
99	+26157	Spring- - Throttle Adjustment
101	93043	Pin- - Throttle Stop and Governor Shaft
102	+27917	Gasket- - Carburetor Body
104	+23114	Pin- - Float Hinge
107	295617	Body Assembly- - Carburetor
108	220897	Valve- - Choke
109	294874	Shaft and Lever Assembly- - Choke
110	220899	Washer- - Choke Lever
111	26229	Spring- - Choke Lever
112	23270	Screw- - Choke Lever
113	+23222	Nozzle- - Carburetor
114	+68887	Packing- - Needle Valve
117	+23227	Nut- - Needle Valve Packing
118	+230005	Valve- - Needle
	Note: 292088	Valve- - Needle (Kerosene) Used on Type No. 8130.
119	93347	Screw- - Sem
121	291691	Carburetor Overhaul Kit
127	220352	Plug- - Welch
128	210811	Venturi- - Carburetor
132	212904	Stop- - Throttle Lever
133	293477	Float- - Carburetor
134	+293478	Valve and Seat- - Fuel Inlet
135	68877	Gasket- - Fuel Inlet Valve Seat
157	27840	Gasket- - Venturi
163	271042	Gasket- - Air Cleaner Mounting
165	93856	Nut- - Wing
166	231314	Stud- - Air Cleaner
166A	231177	Stud- - Air Cleaner
169	90832	Washer- - Lock- - 1/4 x 3/32 x 5/64"
171	92129	Nut- - Hex. - - 1/4- 28

172	271139	Gasket--Air Cleaner
172A	280213	Spacer--Air Cleaner
172B	271077	Gasket--Air Cleaner
180	292945	Tank Assembly--Fuel (3 Quart)
180A	392911	Tank Assembly--Fuel (3 Quart) (Kerosene--Gasoline)
181	393156	Cap--Fuel Tank
181A	392886	Cap--Fuel Tank (Small) (Kerosene--Gasoline)
181B	392887	Cap--Fuel Tank (Large) (Kerosene--Gasoline)
182	220195	Bracket--Fuel Tank
183	393131	Strap Assembly
184	91257	Screw--Fill. Hd.
185	90970	Nut--Square
186	67218	Elbow, 90° (Flexible Fuel Line)
187	394045	Line--Fuel (Flexible) (For Kerosene Line, cut to 9-1/4" Long)
196	220369	Support--Fuel Tank
196A	222759	Support--Fuel Tank (Kerosene--Gasoline)
197	93158	Screw--Tank Mtg. Sem
198	293934	Valve Assembly--Fuel Shut Off
199	295896	Outlet--Fuel Tank (Includes Strainer) (for Flexible Fuel Pipe)
199A	392882	Valve--Shut Off (Kerosene--Gasoline)
200	297309	Blade--Governor
201	261654	Link--Governor
204	222962	Bushing--Governor Lever
206	231266	Nut--Control Rod
206A	230149	Nut--Control Rod
207	26855	Spring--Control Rod
208	261990	Rod--Control
208A	231211	Rod--Control
209	261130	Spring--Governor
219	391737	Governor and Gear Assembly
220	221551	Washer--Thrust (.030" thick)
221	230177	Cup--Governor
222	395380	Bracket--Governor Control
223	223097	Lever--Governor Control
224	93491	Rivet
227	394541	Lever Assembly-- Governor
230	222450	Washer--Spacer
244	230318	Connector--Flexible Fuel Pipe
265	221535	Clamp--Casing
266	290062	Control--Throttle
267	93496	Screw--Hex. Hd.
268	66986	Casing--Control Wire--48" Long

Note: If a longer casing is needed, specify length in inches; if a shorter casing is needed, order No. 66986 and cut to

269	26099	required length. Wire--Control-- 54" long
	Note:	If a longer wire is needed, specify length in inches; if shorter wire is needed, order No. 26099 and cut to required length.
270	63426	Locknut--Control Wire Casing
271	290568	Lever Assembly-- Control
278	220863	Washer(Between Support and Cylinder Head)
280	223236	Guide Bar--Control Rod
298	220859	Locknut--Muffler and Exhaust Elbow
299	392811	Muffler--Exhaust
305	93158	Screw--Blower Housing and Flywheel Guard Mounting
306	220478	Shield--Cylinder
307	93490	Screw--Cylinder Shield Mounting Sem
308	223390	Cover--Cylinder Head
319	395488	Armature Assembly (Less Trigger Coil)
333	397316	Armature Assembly
333A	395489	Armature Group (MAGNETRON® Ignition)
334	93381	Screw--Armature Mounting Sem
337	298809	Plug--Spark (1-1/2" High-- 37-42 M M)
	Note:	29693 Plug--Spark (2" High--51 M M) 293918 Plug--Spark (1-1/2" High-- 37-42 M M) (Resistor Type)
346	93705	Screw--Mounting Sem
347	220884	Switch--Stop (For 1-1/2" High-- 37-42 M M Spark Plug)
353	92791	Washer--Lock-- Shakeproof
354	90576	Nut--Hex.--8-32
356	398874	Wire--Ground Used with Armature Ref. 333 Only
356A	391115	Wire--Ground Used with Armature Ref. 333A Only
357	91539	Key--3/16" Square
358	297275	Gasket Set
363	19069	Puller--Flywheel (Optional Accessory)
373	92987	Nut--Hex.
378	†22032	Washer--Needle Valve Packing
380	62199	Washer--Plain
381	93294	Screw--Sem
382	93158	Screw--Sem
383	89838	Wrench--Spark Plug
445	396424	Cartridge--Air Cleaner
445A	392308	Cartridge--Air

		Cleaner
446	395642	Base--Air Cleaner
446A	222844	Base--Air Cleaner
467	212706	Knob--Air Cleaner
467A	212293	Knob--Air Cleaner
506	90200	Screw--Machine, Fill. Hd.--8-32 x 1/2"
507	66895	Insulator--Terminal
523	297357	Cap--Oil Filler (with Dipstick)
524	65304	Gasket--Oil Filler Cap
525	91258	Nipple Oil Filler (2-1/2" Long)
	Note: Use:	
		394884 Adaptor-- Oil Filler with Nipple
526	93343	Screw--Tank Bracket Mtg. Sem
535	271466	Element--Air Cleaner
535A	270979	Element--Air Cleaner
552	231079	Bushing--Governor Shaft
562	92613	Bolt--Governor Lever
575	396691	Stop Switch--Rotary
592	231082	Nut--Hex--10-24
601	93053	Clip--Fuel Pipe (2)
608	294259	Starter Assembly-- Rewind (10 o'clock)
	Note: 294337	Starter Assy.-- Rewind (12 o'clock) Used on Type No. 8130. 398034 Starter Assy.-- Rewind (10 o'clock) Used on Type No. 8300.
614	93306	Cotter--Hair Pin
615	93307	Retainer--E-Ring
616	231077	Crank--Governor
635	66538	Elbow--Spark Plug
642	223306	Cover--Air Cleaner
642A	222626	Cover--Air Cleaner
643	222845	Cup--Air Cleaner
665	298858	Oil Minder
676	393760	Deflector--Exhaust
741	261721	Gear--Timing
851	221798	Terminal--Ignition Cable
852	396397	Air Cleaner Group
852A	392368	Air Cleaner Group
869	210879	Seat--Intake Valve (Standard)
870	211291	Seat--Exhaust Valve (Standard)
871	262001	Guide--Exhaust Valve (Sintered)
	Note: 63709	Guide--Intake Valve (Replacement Only) (Brass)
888	393891	Line--Fuel (Flexible) (Short) (Kerosene--Gasoline)
889	93915	Tee (Kerosene--Gasoline)
897	394970	Trigger Coil-- MAGNETRON® Ignition

916	280321	Gear Rack - Governor
917	223271	Valve Handle - Shut-off

**Included in Carburetor Overhaul
Kit - Part No. 291691.

*Included in Gasket Set -
Part No. 297275.

† Included in Carburetor Overhaul
Kit - Part No. 291691.