

FORM MS-6932

11/85

Illustrated Parts List

Model Series

81300 to 81499

TYPE NUMBERS

0526 through 0573

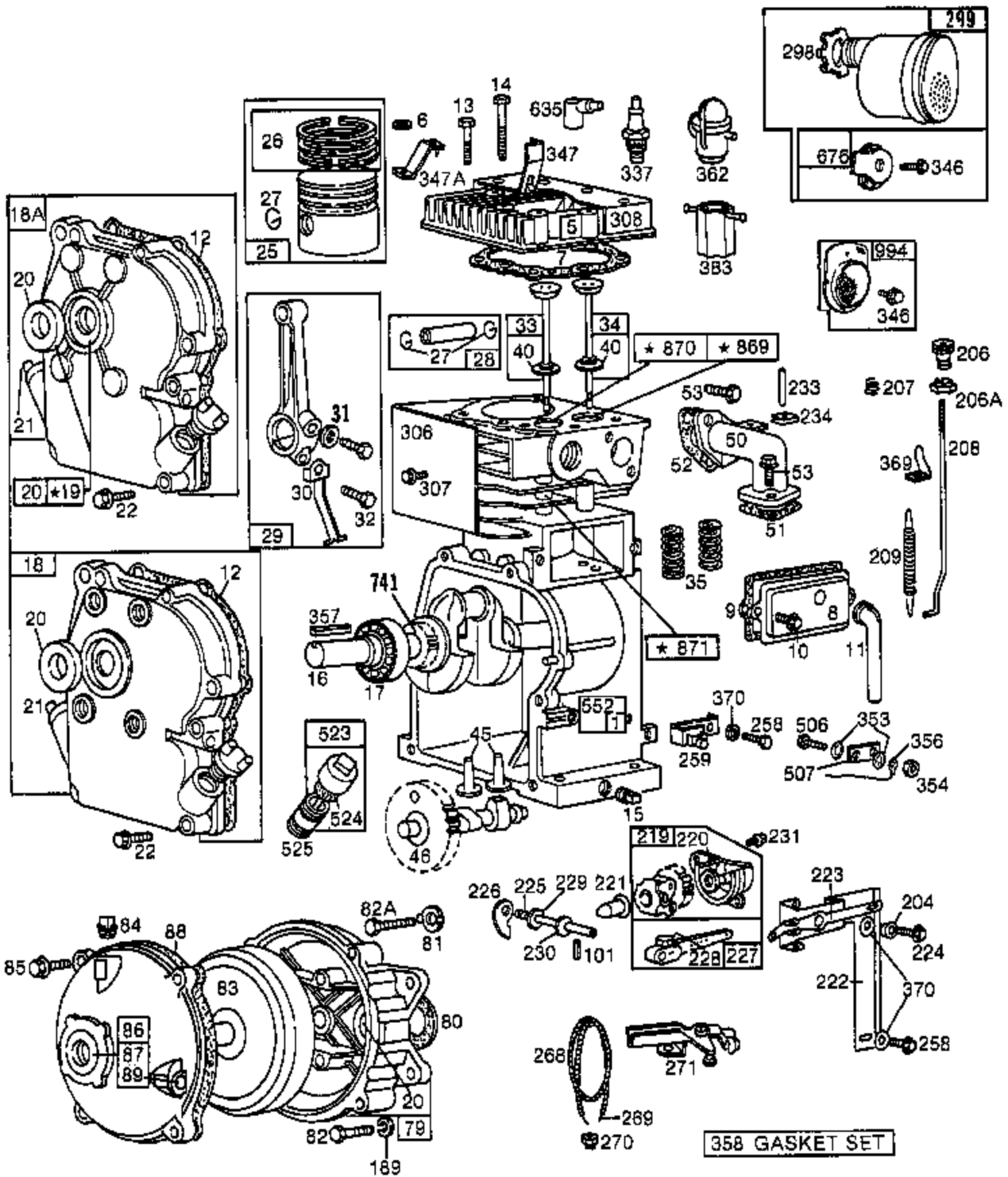
0620 through 0728

0900, 0901

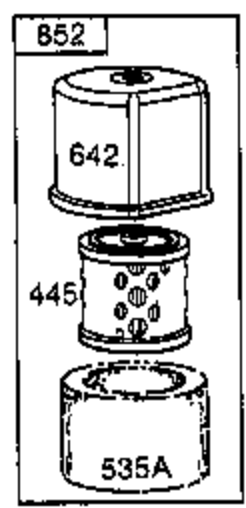
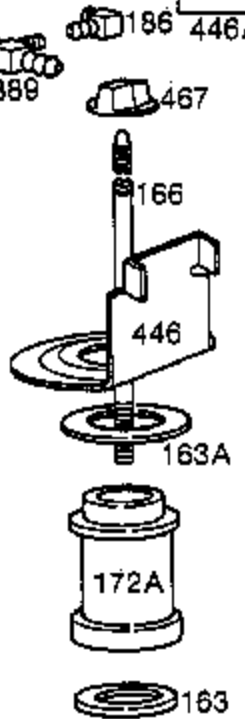
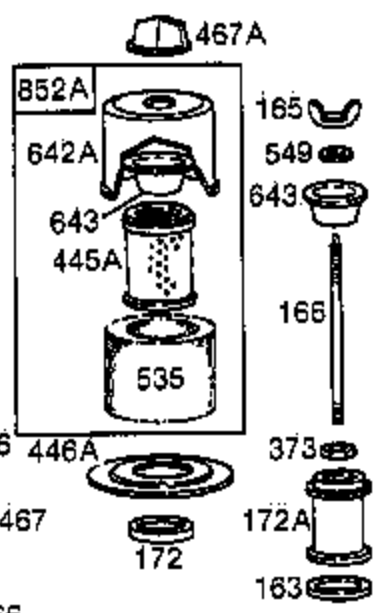
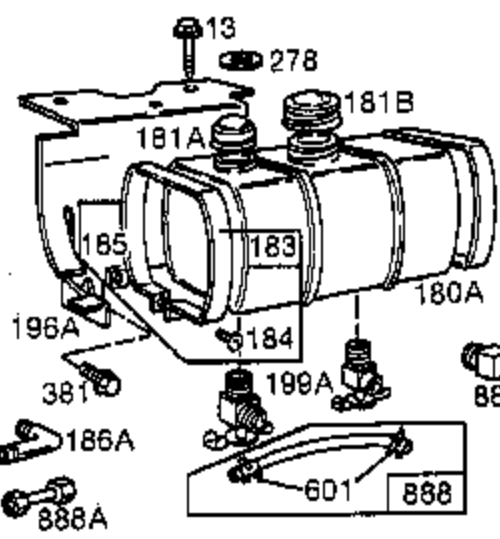
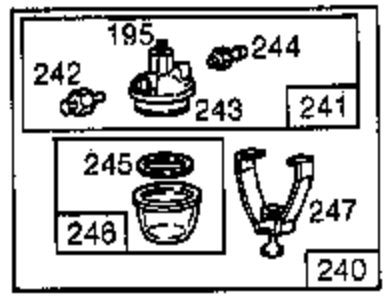
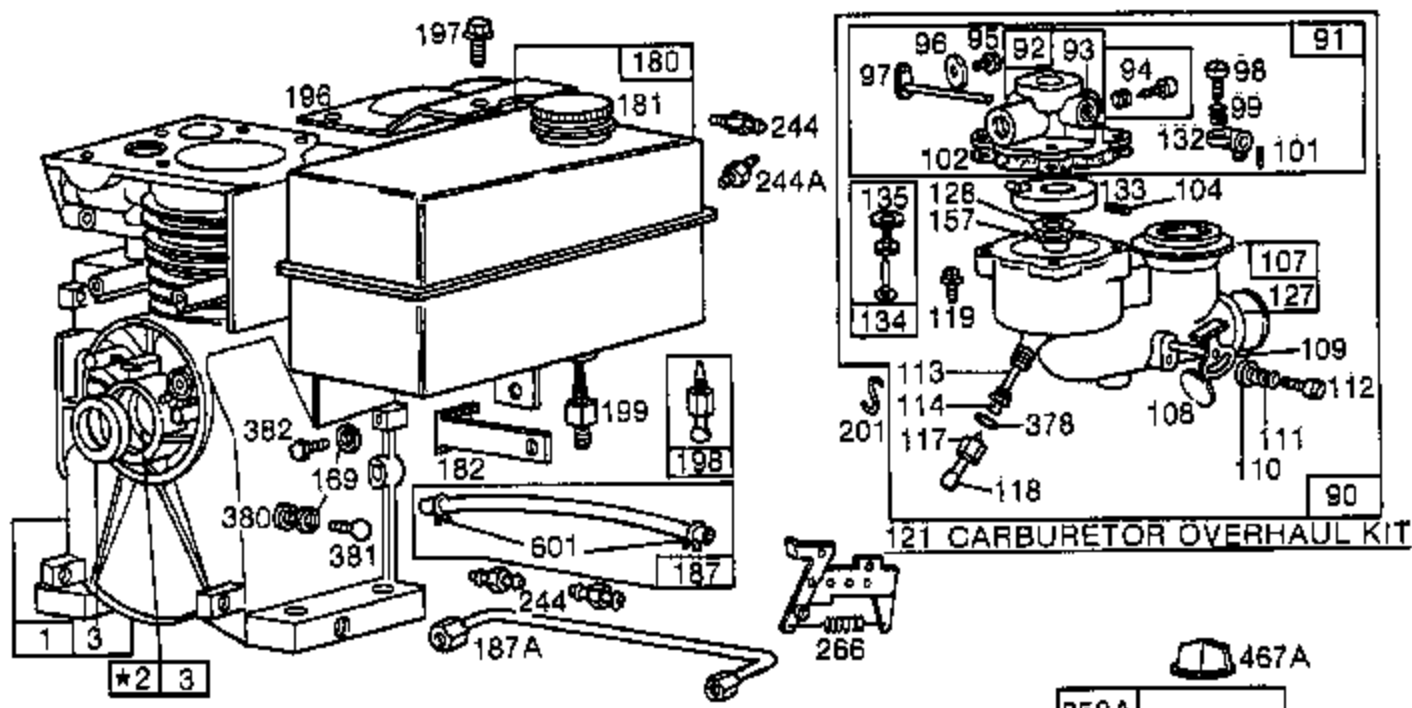
0910 through 0913

2535, 2536, 2537

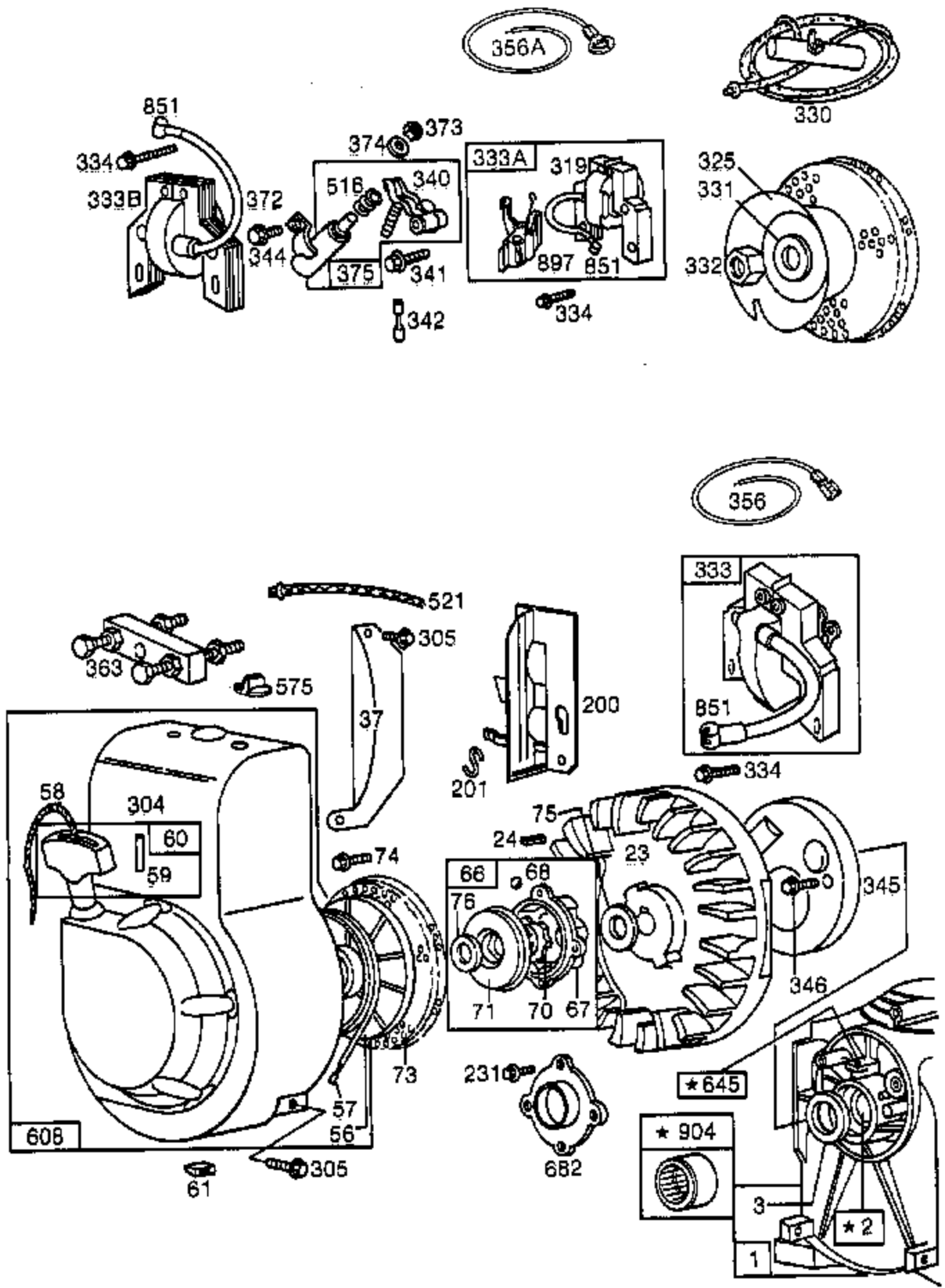
2547, 2548, 2549



★REQUIRES SPECIAL TOOLS TO INSTALL.
SEE REPAIR INSTRUCTION MANUAL.



★REQUIRES SPECIAL TOOLS TO INSTALL.
SEE REPAIR INSTRUCTION MANUAL.



★REQUIRES SPECIAL TOOLS TO INSTALL.
SEE REPAIR INSTRUCTION MANUAL.

- 1 395262 Cylinder Assembly
Note: 394199 Cylinder Assy.
 Used before Code No.
 81080100.
- 2 231271 Bushing--Cylinder
Note: Requires special tools
 for installation.
 For Cylinders with
 Needle Bearing
 Order Ref. 904.
- 3 299819 Seal--Oil
- 5 210812 Head--Cylinder
- 6 22963 Washer--Plain
- 7 *27670 Gasket--Cylinder
 Head

Note: Two 27670 Cylinder
Head Gaskets are
Used on Type Nos.
0526, 0529, 0531,
0651, 0653, 0659,
0668, 0670, 0672,
0673, 0686, 0689,
0698, 0700, 0701,
0702, 0707, 0709,
0712, 0718, 0721.

- 8 294178 Breather--Valve
 Chamber
- 9 *27549 Gasket--Valve Cover
- 10 93394 Screw--Breather
 Mounting Sem
- 11 66638 Tube--Breather
- 12 *270833 Gasket--Crankcase--
 .015" thick (Standard)
- *270895 Gasket--Crankcase--
 .005" thick
- *270896 Gasket--Crankcase--
 .009" thick
- 13 91386 Screw--Cylinder Head
 (2" long)

Note: 93583 Stud--Cylinder
Head
Used on Type No.
0713.

- 14 93113 Screw--Cylinder Head
 (2-5/16" long)
- Note: 93583 Stud--Cylinder
Head
Used on Type No.
0713.
- 15 91249 Plug--Pipe, 1/4" Std.
 Square Head
- 16 260932 Crankshaft
 To Replace Crankshaft
 Gear Pin, Order Part
 No.
 230978 for Loose
 Gear Applications.

Note: 260110 Crankshaft

Used on Type Nos.
0530, 0531, 0620,
0621, 0640, 0641,
0652, 0653, 0673,
0676, 0688, 0695,
0700, 0702, 0724.
260113 Crankshaft
Used on Type No.

0697.
260182 Crankshaft
Used on Type Nos.
0526, 0527, 0672,
0686, 0689, 0698,
0709, 0712, 0718,
0719, 0721, 0722,
0723, 0728, 0910.
260187 Crankshaft
Used on Type Nos.
0708, 0710, 2535.
260276 Crankshaft
Used on Type Nos.
0548, 0549, 0625,
0626, 0644, 0645,
0655, 0658, 0661,
0665, 0667, 0680,
0694, 0715, 0716,
0717, 0901, 0911,
2547, 2548, 2549.
260489 Crankshaft
Used on Type Nos.
0538, 0660, 0674,
0679, 0681, 0687,
0690, 0691, 0692,
0720.
260491 Crankshaft
Used on Type Nos.
0532, 0663, 0699,
0705, 0714.
260932 Crankshaft
Used on Type Nos.
0706, 0707, 2537.
397257 Crankshaft
Used on Type No.
0913.

17 99158 Bearing--Ball
18 294306 Cover Assy.--
 Crankcase
 Used on Model Series
 81331, 81332,81431,
 81432 except as
 listed under Note.

Note: 395259 Cover Assy.--
 Crankcase
 Used after Code No.
 81120800.
 298511 Cover Assy.--
 Crankcase
 Used before Code No.
 81120900.
 Used on Type Nos.
 0526, 0527, 0528,
 0529, 0530, 0531,
 0532, 0537, 0538,
 0573, 2535, 2536,
 2537.

18A 394909 Cover Assy.--
 Crankcase
 Used after Code No.
 81120800.
 294307 Cover Assy.--
 Crankcase

 Used before Code No.
 81120900.
 Used on Model Series

- 19 294499 Bushing--Crankcase
Cover
(Includes 220538
Bushing)
Special tools required
for installation.
Used on Model 81351,
81352, 81451, 81452
Series.
- 20 93740 Seal--Oil
- 21 66768 Plug--Oil Filler
- 22 93032 Screw--Crankcase
Cover Mtg. Sem
- Note: 92747 Screw--
Crankcase Cover
Mounting Sem
Used on two top holes
to mount cover on
81351, 81352,
81451, 81452 Series.
- 23 296884 Flywheel--Magneto
- 24 222698 Key--Flywheel
(For MAGNETRON®
Ignition)
- Note: 61760 Key--Flywheel
(For Breaker
Ignition System)
- 25 295455 Piston Assembly-- Std.
- 295456 Piston Assembly--
.010" O.S.
- 295457 Piston Assembly--
.020" O.S.
- 295458 Piston Assembly--
.030" O.S.

MODEL 81300, 81400 SERIES

RING SETS:

- Note: For Chrome Piston
Ring Set--Standard
size--order Part No.
297201.
- 26 295657 Ring Set--Std. Piston
- 295658 Ring Set--.010" O.S.
Piston
- 295659 Ring Set--.020" O.S.
Piston
- 295660 Ring Set--.030" O.S.
Piston
- 27 26026 Lock--Piston Pin
- 28 298909 Pin Assembly--
Piston--Standard
- 298908 Pin Assembly--
Piston--.005" O.S.
- 29 294367 Rod Assembly--Conn.
- Note: For Connecting Rod
with .020" Undersize
Crankpin Bore--order
No. 296079.
- 30 220670 Dipper--Connecting
Rod
- 31 222282 Washer
- 32 92296 Screw--Connecting
Rod
- 33 296676 Valve--Exhaust
(Grooved Stem--

Includes Retainer

No. 93312)

Note: 260442 Valve--Exhaust
(with Hole in Stem)
For Pins and Retainers
for this Valve, see
note under Reference
No. 40.

Used on Type Nos.
0667, 0674,0680,
0681.

260443 Valve--
Exhaust (Cobalite®)
(with Hole in Stem)
For Pins and Retainers
for this Valve, see
note under Reference
No. 40.

Used on Model 81300,
81400 Series Type

Nos. 0526, 0527,
0528, 0529, 0530,
0531, 0532, 0537,
0538, 0548, 0549,
0573, 0624, 0626,
0675, 0676, 0685,
0690, 0691, 0692,
0693, 0694, 0696,
0697, 0698, 0699,
0702, 0703, 0704,
0705, 0708, 0709,
0710, 0711, 0713,
0714, 0715, 0716,
0717, 0718, 0719,
0720, 0721, 0722,
0727, 0728, 0900,
0901, 0910, 0911,
0912, 0913,2535,
2536,2537,2547,
2548,2549.

34 296677 Valve--Intake
(Grooved Stem--
Includes Retainer
No. 93312)

35 260552 Spring--Intake Valve

Note: 26826 Spring--
Exhaust Valve
Used on Type Nos.
0526, 0527, 0528,
0529, 0530, 0531,
0532, 0537, 0538,
0548, 0549, 0573,
0624, 0626, 0667,
0674, 0675, 0676,
0680, 0681, 0685,
0690, 0691, 0692,
0693, 0694, 0696,
0697, 0698, 0699,
0702, 0703, 0704,
0705, 0708, 0709,
0710, 0711, 0713,
0714, 0715, 0716,
0717, 0718, 0719,
0720, 0721, 0722,
0900, 0901, 0910,
0911, 0912, 0913,

- 2535, 2536, 2537,
- 2547, 2548, 2549.
- 37 220971 Guard--Flywheel
- 40 93312 Retainer--Valve
Spring
Used with Valves

with groove in stem.

- Note: 23184 Retainer--
Valve Spring
23187 Pin--Valve
Spring
Retainer
Used on Type Nos.
0727, 0728.
292259 Rotocap--
Exhaust Valve
230126 Pin--Exhaust
Valve Rotocap
Retainer
230127 Retainer--
Exhaust Valve Rotocap
Used on Type Nos.
0526, 0527, 0528,
0529, 0530, 0531,
0532, 0537, 0538,
0548, 0549, 0573,
0624, 0626, 0667,
0674, 0675, 0676,
0680, 0681, 0685,
0690, 0691, 0692,
0693, 0694, 0696,
0697, 0698, 0699,
0702, 0703, 0704,
0705, 0708, 0709,
0710, 0711, 0713,
0714, 0715, 0716,
0717, 0718, 0719,
0720, 0721, 0722,
0900, 0901, 0910,
0911, 0912, 0913,
2535, 2536, 2537,
2547, 2548, 2549.

- 45 230173 Tappet--Valve
- 46 210453 Gear--Cam
- 50 210810 Elbow--Intake
- 51 *†68987 Gasket--Carburetor
Mounting
- 52 *27355 Gasket--Intake
Elbow Mounting
- 53 93357 Screw--Carburetor
and Intake Elbow Mtg.
- 56 280117 Pulley--Rewind
Starter
- 57 294303 Spring--Rewind
Starter
- 58 66694 Rope--Starter--
47-1/8" long

Note: If longer rope is
needed, order No.
66684 and cut to
required length.

- 59 230228 Pin--Starter Grip
- 60 393152 Grip--Starter Rope
- 61 68618 Bumper--Starter
Pulley
- 66 298310 Clutch Assy.

		Rewind Starter
67	212131	Housing--Starter Clutch
68	63770	Ball--Clutch
70	298436	Ratchet--Rewind Starter
71	221653	Washer--Clutch Retainer
73	221661	Screen--Rotating
74	93490	Screw--Rotating Screen Mounting Sem
75	220865	Washer--Spring
76	68238	Washer--Ratchet Sealing
79	290779	Case Assembly--Gear
80	27667	Gasket--Gear Case
81	220234	Lock--Gear Case Mounting Screw
82	91541	Screw--Cap, Hex. Hd.--5/16-24 x 7/8"
82A	92279	Screw--Cap, Hex. Hd.--5/16-24 x 1-1/2"
83	211293	Shaft Assembly-- Drive
84	92617	Plug--Breather
85	92747	Screw--Gear Case Mounting Sem
86	291730	Cover Assembly-- Gear Case
87	19011	Seal--Oil
88	27313	Gasket--Gear Case Cover
89	93448	Plug--Oil Drain (1/4" Pipe thread)
90	295607	Carburetor Assembly (Standard) (Manual Choke)

Note: Carburetors,
including No. 295607,
are used on Model
81300 Series Engines.
295560 Carburetor Assy.
(Kerosene) Used on
Model 81300 Series
Type Nos. 0526,
0529, 0531, 0651,
0653, 0659, 0668,
0670, 0672, 0673,
0686, 0689, 0698,
0700, 0702, 0707,
0709, 0712, 0718.

295609 Carburetor Assembly
(Standard) (Manual
Choke) Used on
Model 81400 Series
Engines.

Note: 295572 Carburetor
Assy. (Kerosene)
Used on Type No.
0701.

91	295608	Housing Assembly-- Throttle Used on Model 81300 Series Engines.
----	--------	--

Note: 295531 Housing
Assy.--Throttle

- Used on Model 81400 Series Engines.
- 92 99634 Body--Upper Carb.
 - Note: When this Part is Not Available, Order Part No. under Ref. 91.
 - 93 23230 Bushing--Throttle Shaft
 - 94 †292681 Valve Assembly--Carburetor Idle
 - 95 93499 Screw--Throttle Valve Mounting Sem
 - 96 22036 Valve--Throttle
 - 97 295436 Shaft and Lever--Throttle

- Used on Model 81300 Series Engines.
- Note: 295448 Shaft and Lever--Throttle
 - Used on Model 81400 Series Engines.
 - 98 91920 Screw--Machine, Fill. Hd.--8-32 x 5/8"
 - 99 †26157 Spring--Throttle Adjustment
 - 101 93043 Pin--Throttle Stop and Governor Shaft
 - 102 †27917 Gasket--Carburetor Body
 - 104 †23114 Pin--Float Hinge
 - 107 295617 Body Assy.--Carb.
 - 108 220897 Valve--Choke
 - 109 294874 Shaft and Lever Assy.--Choke
 - 110 220899 Washer--Choke Lever
 - 111 26229 Spring--Choke Lever
 - 112 23270 Screw--Choke Lever
 - 113 †23222 Nozzle--Carburetor
 - 114 †68887 Packing--Needle Valve
 - 117 †23227 Nut--Needle Valve Packing
 - 118 †230005 Valve--Needle

- Note: 292088 Valve--Needle (Kerosene)
- Used on Type Nos. 0526, 0529, 0531, 0651, 0653, 0659, 0668, 0670, 0672, 0673, 0686, 0689, 0698, 0700, 0701, 0702, 0707, 0712, 0718.
- 119 93347 Screw--Sem
- 120 92290 Washer--Lock--No. 10 x 1/16 x 3/64"
- 121 291691 Carburetor Overhaul Kit
- 127 220352 Plug--Welch
- 128 210811 Venturi--Carburetor
- 132 61967 Stop--Throttle Lever
- 133 293477 Float--Carburetor
- 134 †293478 Valve and Seat--Fuel Inlet

135	68877	Gasket--Fuel Inlet Valve Seat
157	27840	Gasket--Venturi
163	271042	Gasket--Air Cleaner Mounting
165	93856	Nut--Wing
166	231314	Stud--Air Cleaner (Used after Code Date 83113003)
Note:	231177	Stud--Air Cleaner (Used before Code Date 83120103)
169	90832	Washer--Lock-- 1/4 x 3/32 x 5/64"
171	92129	Nut--Hex.--1/4-28
172	271139	Gasket--Air Cleaner
172A	280213	Spacer--Air Cleaner
180	292945	Tank Assembly--Fuel (3 Quart)
180A	392911	Tank Assembly--Fuel (3 Quart) (Kerosene--Gasoline)
181	393156	Cap--Fuel Tank
Note:	297866	Cap--Fuel Tank Used on Type No. 0711.
181A	392886	Cap--Fuel Tank (Small) (Kerosene--Gasoline)
181B	392887	Cap--Fuel Tank (Large) (Kerosene--Gasoline)
182	220195	Bracket--Fuel Tank
183	393181	Strap Assembly
184	91257	Screw--Fill. Hd.
185	90970	Nut--Square
186	67218	Elbow, 90° (Flexible Fuel Line)
186A	93849	Elbow 90° (Metal Fuel Pipe)
187	296004	Line--Fuel (Flexible) (23" Long) (For Kerosene Line, cut to 9-1/4" Long)
187A	392902	Pipe--Fuel (Metal) (Long) (Kerosene--Gasoline)
189	90366	Washer--Lock-- 5/16 x 1/8 x 1/16"
195	91635	Connector--Fuel Filter
196	220369	Support--Fuel Tank
196A	222759	Support--Fuel Tank (Kerosene--Gasoline)
197	93083	Screw--Tank Mtg. Sem
198	293934	Valve Assembly--Fuel Shut Off
199	295896	Outlet--Fuel Tank (Includes Strainer) (for Flexible Fuel Pipe)
199A	392882	Valve--Shut Off (Kerosene--Gasoline)
200	297309	Blade--Governor
Note:	221456	Blade--Gov.

- Used on Model 81400 Series.
- 201 26235 Link--Governor
- Note: 260076 Link--Gov.
- Used on Model 81400 Series.
- 204 23688 Bushing--Gov. Lever
- 206 230149 Nut--Control Rod
- 206A 93422 Stop Nut--Hex.
- 207 26855 Spring--Control Rod
- 208 230194 Rod--Control
- Note: 230323 Rod--Control
- Used on Model 81400 Series.
- 209 26925 Spring--Governor
- Used on Model 81300 Series.
- Note: 260546 Spring--Mech. Governor
- Used on Model 81400 Series.
- 219 296688 Governor Housing and Gear Assembly
- 220 221361 Washer--Thrust (.030" Thick)
- 221 230177 Cup--Governor
- 222 220691 Bracket--Mechanical Governor
- 223 220690 Lever--Mechanical Governor
- 224 93067 Screw--Governor Lever Mounting Sem
- 225 230181 Shaft--Governor Lever
- 226 220381 Follower--Governor Crank
- 227 294077 Lever Assy. Governor
- 228 93100 Screw--Governor Lever Mounting
- 229 220680 Washer--Thrust
- 230 22826 Washer--Spacer
- 231 93064 Screw--Sem
- 232 260178 Spring--Governor Link
- 233 230253 Stop--Control Rod
- 234 220730 Clip--Control Rod
- 240 393169 Filter Assembly--Fuel
- 241 296005 Cover Assy.--Fuel Filter
- Note: 89347 Cover Assy.--Fuel Filter
- Used with Metal Fuel Pipe
- 242 295913 Lever and Cover--Fuel Shut Off
- 243 22547 Screen--Fuel Filter
- 244 230318 Connector--Flexible Fuel Pipe
- 244A 92427 Connector--Metal Fuel Pipe
- 245 68477 Gasket--Fuel Filter Bowl
- 246 298683 Bowl--Fuel Filter
- 247 99665 Yoke--Fuel Filter
- 258 93062 Screw--Sem

- 259 294502 Bracket--Control
Wire Casing
- 266 290062 Control--Throttle
- 268 66986 Casing--Control
Wire--48" Long
- Note: If a longer casing is needed, specify length in inches; if a shorter casing is needed, order No. 66986 and cut to required length.
- 269 26099 Wire--Control--
54" Long
- Note: If longer wire is needed, specify length in inches; if shorter wire is needed, order No. 26099 and cut to required length.
- 270 63426 Locknut--Control
Wire Casing
- 271 290568 Lever Assy.--Control
- 278 220863 Washer
(Between Support and
Cylinder Head)
- 298 220859 Locknut--Muffler
and Exhaust Elbow
- 299 392811 Muffler--Exhaust
- Note: 394781 Guard--Muffler
Uses:
- 93606 Screw
(Guard to Muffler
Mounting)
- 62199 Washer
(Guard to Bracket
Mounting)
- 93873 Screw
(Guard to Bracket
Mounting)
- 223127 Brace--
Muffler
Used on Type Nos.
0727, 0728.
- 304 Housing--Blower
(For Rope Starter)
- Note: For Type Nos. not listed below, see Ref. No. 608.
- 398980 Housing--
Blower
(For Rope Starter)
Used on Model 81331,
81351, 81431
Series.
- 305 93158 Screw--Blower
Housing and Flywheel
Guard Mounting
- 306 220478 Shield--Cylinder
- 307 93490 Screw--Cylinder
Shield Mtg. Sem
- 308 220581 Cover--Cylinder
Head
- 319 395488 Armature Assy.
(Less Trigger Coil)
- 325 298731 Pulley with Screen--

Rope Starter
 (5/8" hole in Pulley)
 Used on Model 81331,
 81351, 81431, 81451
 Series

330 69932 Rope--Starter
 331 220865 Washer--Flywheel
 (5/8" hole)
 332 92284 Nut--Flywheel
 (5/8-18 right hand
 thread)
 333 397316 Armature Assembly
 333A 395489 Armature Group
 (MAGNETRON® Ignition)
 333B 298502 Armature--Magneto
 (For Points &
 Condenser)
 334 93381 Screw--Armature
 Mtg. Sem
 337 298809 Plug--Spark
 (1-1/2" High--
 37-42 M.M.)
 Note: 29693 Plug--Spark
 (2" High--51 M.M.)
 293918 Plug--Spark
 (1-1/2" High--
 37-42 M.M.)
 (Resistor Type)
 340 26018 Spring--Breaker Arm
 341 93381 Screw--Breaker Arm
 Mounting Sem
 342 65704 Plunger--Breaker
 Point
 344 93042 Screw--Condenser
 Clamp Mounting
 345 220366 Cover--Breaker

Point
 and Condenser

346 93705 Screw--Dust Cover
 Mounting Sem
 347 220884 Switch--Stop
 (For 1-1/2" High--
 37-42 M.M. Spark
 Plug)
 347A 298926 Switch--Stop
 (For 1-1/2" High--
 37-42 M.M. Spark
 Plug)

Note: 293739 Switch--Stop
 (For 2" High--51 M.M.
 Spark Plug)

353 92791 Washer--Lock--
 Shakeproof
 354 90576 Nut--Hex.--8-32
 356 398874 Wire--Ground
 356A 298693 Wire--Ground

Note: All Wires Listed are
 Used with Armature
 Ref. Nos. 333A and
 333B

357 91539 Key--3/16" Square
 358 297275 Gasket Set
 362 291630 Shield--Spark
 (with Stop Switch)
 363 19069 Puller--Flywheel
 (Optional Accessory)

369	220705	Spring--Control Friction
370	66432	Washer--Plain
372	220477	Clamp--Condenser
373	92987	Nut--Hex.
374	92813	Washer--Lock-- Shakeproof No. 1210-06
375	294628	Breaker Points and Condenser Set
Note: 299061 Ignition Kit		
Includes:		
294628 Point Set		
65704 Plunger		
61760 Key--Flywheel		
(For Conversion to MAGNETRON® Ignition, Order Part No. 394970 MAGNETRON® Ignition Kit)		
378	†22032	Washer--Needle Valve Packing
380	62199	Washer--Plain
381	93294	Screw--Sem
382	93158	Screw--Sem
Note: 92636 Screw--Cap, Hex. Hd.--1/4-20 x 20" 90832 Washer--Lock-- 1/4 x 3/32 x 5/64" 23052 Spacer Used on Model 81300, 81400 Series Type Nos. 0677, 0678, 0679, 0680, 0681, 0684, 0690.		
383	89838	Wrench--Spark Plug
445	396424	Cartridge--Air Cleaner
445A	392308	Cartridge--Air Cleaner
446	395642	Base--Air Cleaner
446A	222844	Base--Air Cleaner
467	212706	Knob--Air Cleaner
467A	212293	Knob--Air Cleaner
506	90200	Screw--Machine, Fil. Hd.--8-32 x 1/2",
507	66895	Insulator--Terminal
516	260374	Spring--Connector
521	297973	Shielding--Ignition Cable
523	69345	Cap--Oil Filler
Note: 297357 Cap--Oil Filler (with Dipstick) Used on Model Series 81331, 81332 Type Nos. 0526, 0527, 0528, 0529, 0530, 0531, 0532, 0537, 0538, 0573, 2535, 2536, 2537. 297357 Cap--Oil Filler (with Dipstick) 393526 Cap--Oil Filler (with Dipstick) (Used before Code No. 81120900) Used on Model 81351		

Series Type Nos.
0548, 0549, 2548,
2549.

524 65304 Gasket--Oil Filler Cap
525 91258 Nipple Oil Filler
(2-1/2" Lg.)

Note: Use 394884 Adaptor--
Oil Filler with Nipple

535 271466 Element--Air Cleaner
537 212287 Spacer--Air Cleaner
549 271118 Washer

(below Wing Nut)

552 231079 Bushing--Governor
Shaft
(Not Used with
394199 Cylinder
Assembly)

575 396691 Stop Switch--Rotary

601 93053 Clip--Fuel Pipe
(2)

608 398034 Starter Assy.--Rewind
(10 o'clock)

Note: 294337 Housing--Blower
(for Rewind Starter)
(12 o'clock)
Used on
Type Nos. 0537,
0538, 0549, 0667,
0680, 0690, 0713,
0714, 2535,
2537, 2548, 2549.

295816 Housing--Blower
(For Rewind Starter)
(3 o'clock)
Used on Type No.
0711.

635 66538 Elbow--Spark Plug

642 223306 Cover--Air Cleaner

642A 222626 Cover--Air Cleaner

643 222845 Cup--Air Cleaner

645 23513 Bushing--Plunger
(Used only with
Breaker Point
Ignition)

676 393760 Deflector--Exhaust

682 211516 Shield--Starter

Clutch

741 261721 Gear--Timing
(For Ball Bearing)

Note: 261533 Gear--Timing
(For Plain Bearing)

851 221798 Terminal--Ignition
Cable

852 396397 Air Cleaner Assy.

852A 392368 Air Cleaner Assy.

869 210879 Seat--Intake Valve
(Standard)

870 211291 Seat--Exhaust Valve
(Standard)

871 262001 Guide--Exhaust
Valve

Note: 63709 Guide--Intake
Valve (Brass)

888 393891 Line--Fuel
(Flexible) (Short)
(Kerosene--Gasoline)

888A	392901	Pipe--Fuel (Metal) (Short) (Kerosene--Gasoline)
889	93915	Tee (Kerosene--Gasoline)
889A	93846	Tee (Kerosene--Gasoline)
897	394970	Trigger Coil-- MAGNETRON® Ignition
904	394236	Bearing--Needle
994	398067	Spark Arrester

*Included in Gasket Set-

Part No. 297275.

†Included in Carburetor Overhaul

Kit-Part No. 291691.