

Illustrated Parts List

Vanguard™

Model Series

380700 to 380799

TYPE NUMBERS
0024, 0036, 0100,
0131, 0138.

**TO FIND
THE CORRECT NUMBER OF THE PART YOU NEED:
FOLLOW THE INSTRUCTIONS BELOW**

- A. Refer to Engine Model, Type and Code Number that is stamped on the blower housing of engine. Engine type numbers such as 0123 01 are listed only as 0123 in most instances. The two digits (01 or 02, etc.) to the right of the space may be required for more accurate parts identification in some instances. Select the Illustrated Parts List covering the correct Model Series and Type Number.
- B. Refer to the Illustrations and compare the original part with Illustration. The number next to the illustration is the Reference Number. Assemblies include all parts shown in frames. All parts shown in assembly frames having individual reference numbers can be purchased separately.
- C. After the Reference Number has been identified, refer to the Numerical text, where Reference and Primary Part Number are listed. **THE PRIMARY PART IS USED ON ALL TYPE NUMBERS EXCEPT THOSE TYPE NUMBERS UNDER "NOTE."**
- D. If a "Note" appears below the Primary Part Number, it means that this part differs from the Primary Part for certain types. If your Type number is listed under "Note," order the part referred to at the "Note."
- E. If your Engine Type Number does not appear after any part number listed under "Note," use the Primary Part Number.
- F. For Engine Type Numbers not covered by this book, check other Parts Lists having the same engine model or contact your source of supply.

PRINTED IN U.S.A.

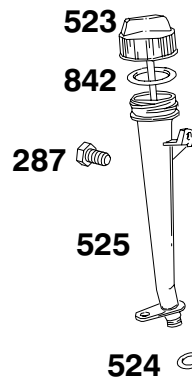
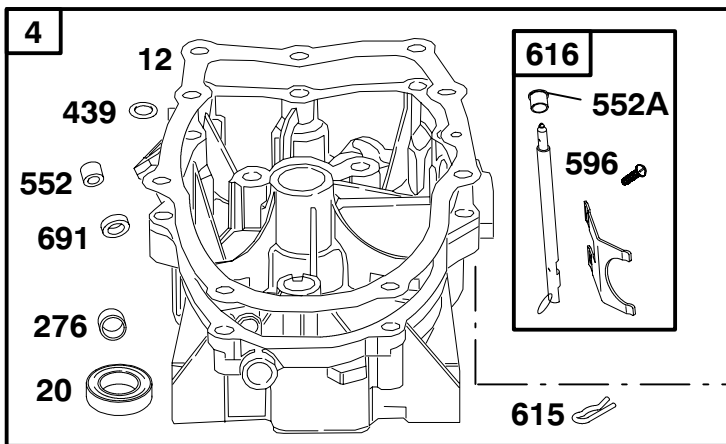
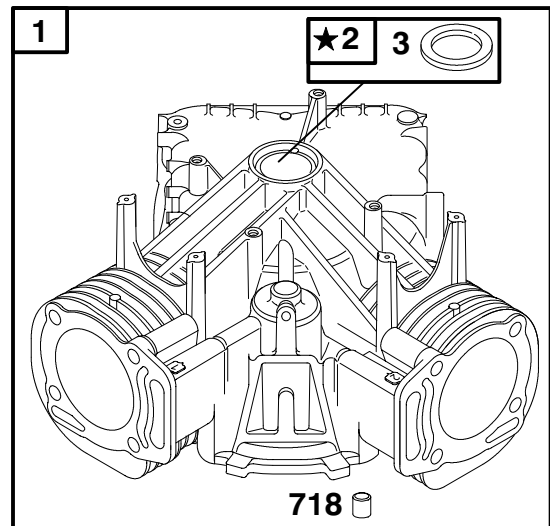
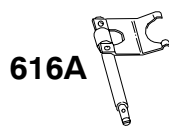


COPYRIGHT by BRIGGS & STRATTON CORPORATION
All rights reserved. No part of this material may be reproduced or transmitted, in any form or by any means, electronic or mechanical, including photocopying, recording or by any information storage and retrieval system, without permission in writing from Briggs & Stratton Corporation.

380700 to 380799

1019 LABEL KIT

1058 OWNER'S MANUAL



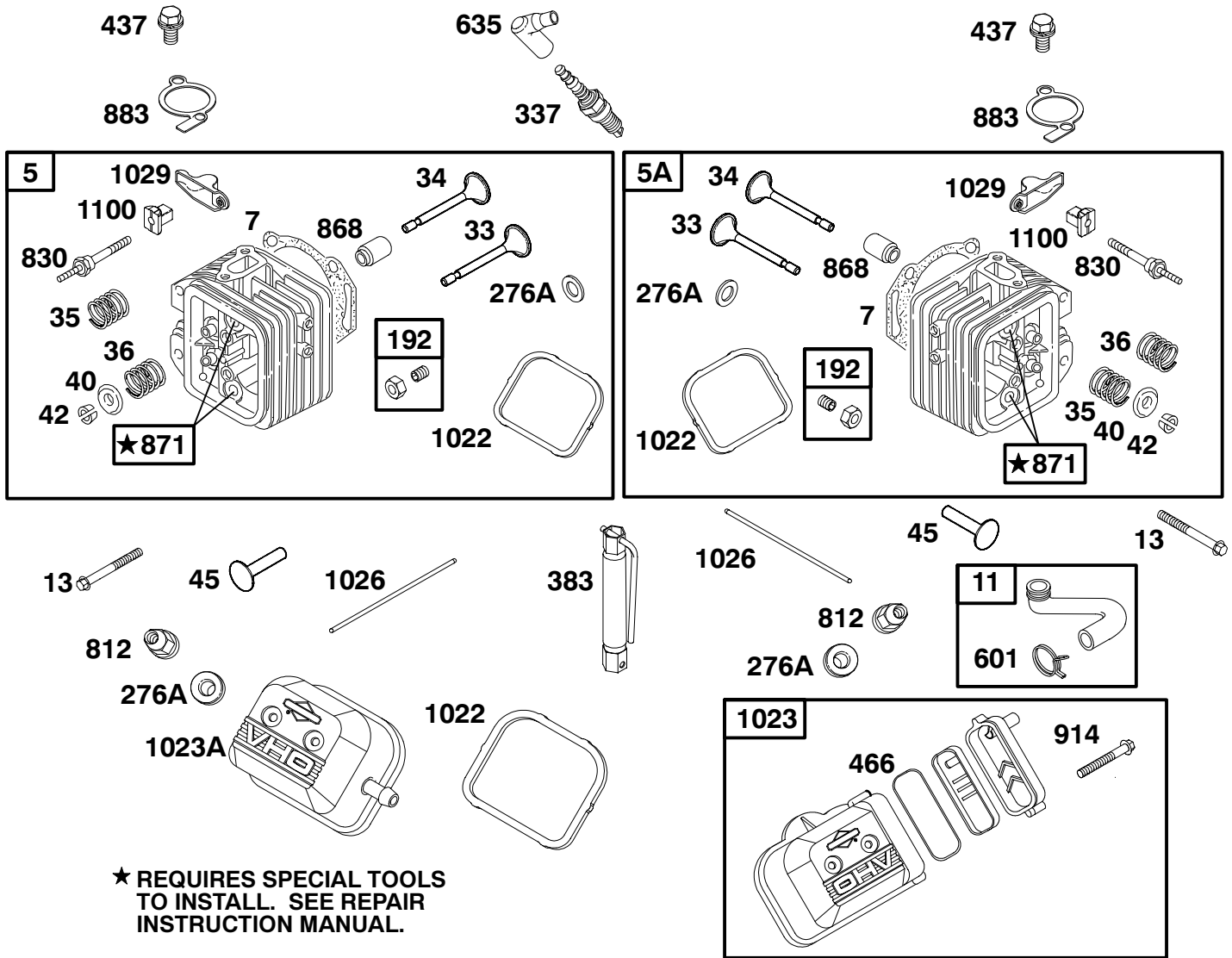
★ **REQUIRES SPECIAL TOOLS TO INSTALL. SEE REPAIR INSTRUCTION MANUAL.**



REF. NO.	PART NO.	DESCRIPTION	REF. NO.	PART NO.	DESCRIPTION	REF. NO.	PART NO.	DESCRIPTION
1	808647	Cylinder Assembly	170	806445	Stud (Engine Sump)	596	691492	Screw (Governor Crank) (Used After Code Date 99072000).
2	808534	Bushing/Seal Kit (Magneto Side)	276	690704	Sealing Washer	615	691550	Governor Shaft Retainer
3	★805101	Oil Seal (Magneto Side)	287	692537	Screw (Dipstick Tube)	616	806685	Governor Crank (Used After Code Date 99072000).
4	808846	Engine Sump (Used After Code Date 99072000). ----- Note ----- 808504 Engine Sump (Used Before Code Date 99072100).	439	★692154	O-Ring Seal (Crankcase Cover/ Sump)	616A	690899	Governor Crank (Used Before Code Date 99072100).
12	★806190	Crankcase Gasket	523	807985	Dipstick	691	690680	Governor Shaft Seal
15	94239	Oil Drain Plug	524	805011	Dipstick Tube Seal	718	806469	Locating Pin
20	★805049	Oil Seal (PTO Side)	525	807501	Dipstick Tube	842	270920	Dipstick/Tube Seal
22	692540	Screw (Engine Sump)	552	690701	Governor Crank Bushing	1019	808539	Label Kit
			552A	806686	Governor Crank Bushing (Used After Code Date 99072000).	1058	274276	Owner's Manual (Emissions Engines)
			552B	690702	Governor Crank Bushing (Used Before Code Date 99072100).	1131	806446	Nut (Engine Sump)

★ Included in Engine Gasket Set-Ref. No. 358.
● Included in Carburetor Overhaul Kit-Ref. No. 121.

Included in Valve Gasket Set-Ref. No. 1095.



★ REQUIRES SPECIAL TOOLS TO INSTALL. SEE REPAIR INSTRUCTION MANUAL.

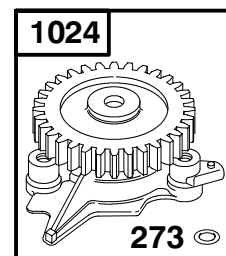
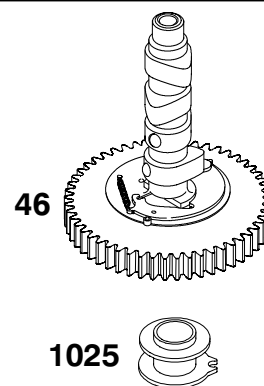
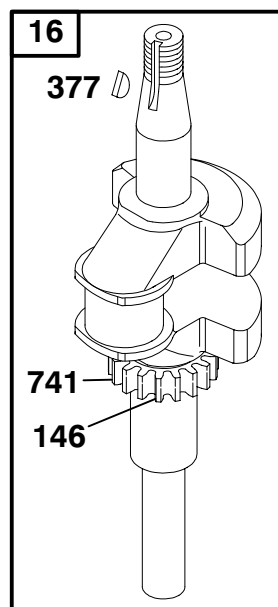
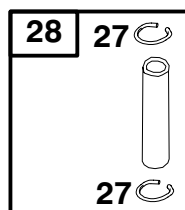
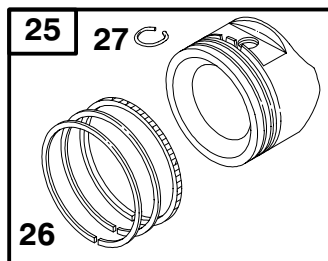
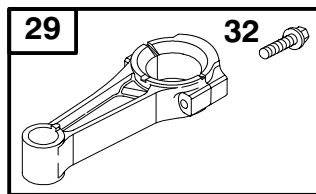
REF. NO.	PART NO.	DESCRIPTION	REF. NO.	PART NO.	DESCRIPTION	REF. NO.	PART NO.	DESCRIPTION
5	808529	Cylinder Head (Cylinder 1)	192	807623	Rocker Arm Adjuster	871	805084	Guide Bushing
5A	808530	Cylinder Head (Cylinder 2)	276A	★ 805420	Sealing Washer (Rocker Arm Cover)	883	★ 806425	Exhaust Gasket
7	★ 806377	Cylinder Head Gasket	337	491055	Spark Plug	914	806421	Screw (Rocker Arm Cover)
11	806379	Breather Tube	383	19374	Spark Plug Wrench	1022	★ 806039	Rocker Cover Gasket
13	806865	Screw (Cylinder Head)	437	805158	Screw (Exhaust Manifold)	1023	808648	Rocker Arm Cover
33	806419	Exhaust Valve	466	806466	O-Ring Seal (Breather Assembly)	1023A	691558	Rocker Arm Cover
34	806420	Intake Valve	601	691145	Hose Clamp	1026	805352	Push Rod (Intake) (Steel)
35	805937	Valve Spring (Intake)	635	805529	Spark Plug Boot			----- Note -----
36	805937	Valve Spring (Exhaust)	812	805019	Nut (Rocker Arm Cover)			805617 Push Rod (Exhaust) (Aluminum)
40	805092	Valve Retainer	830	691544	Stud (Rocker Arm)	1029	691543	Rocker Arm
42	807683	Valve Keeper	868	★ 805094	Valve Seal	1100	690973	Rocker Arm Pivot

★ Included in Engine Gasket Set-Ref. No. 358.

● Included in Carburetor Overhaul Kit-Ref. No. 121.

Included in Valve Gasket Set-Ref. No. 1095.

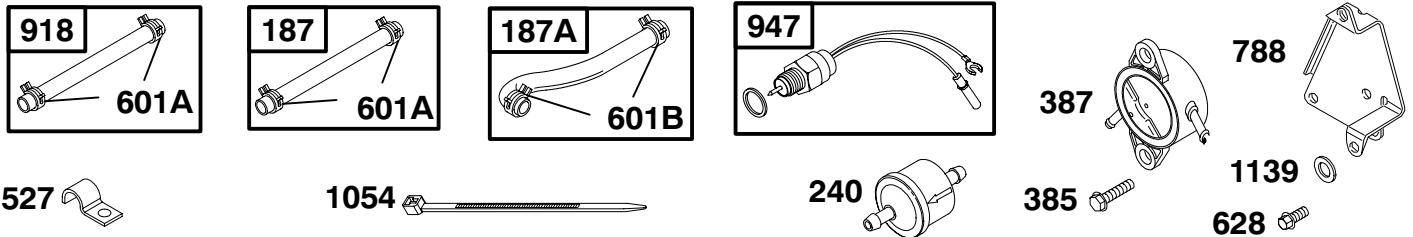
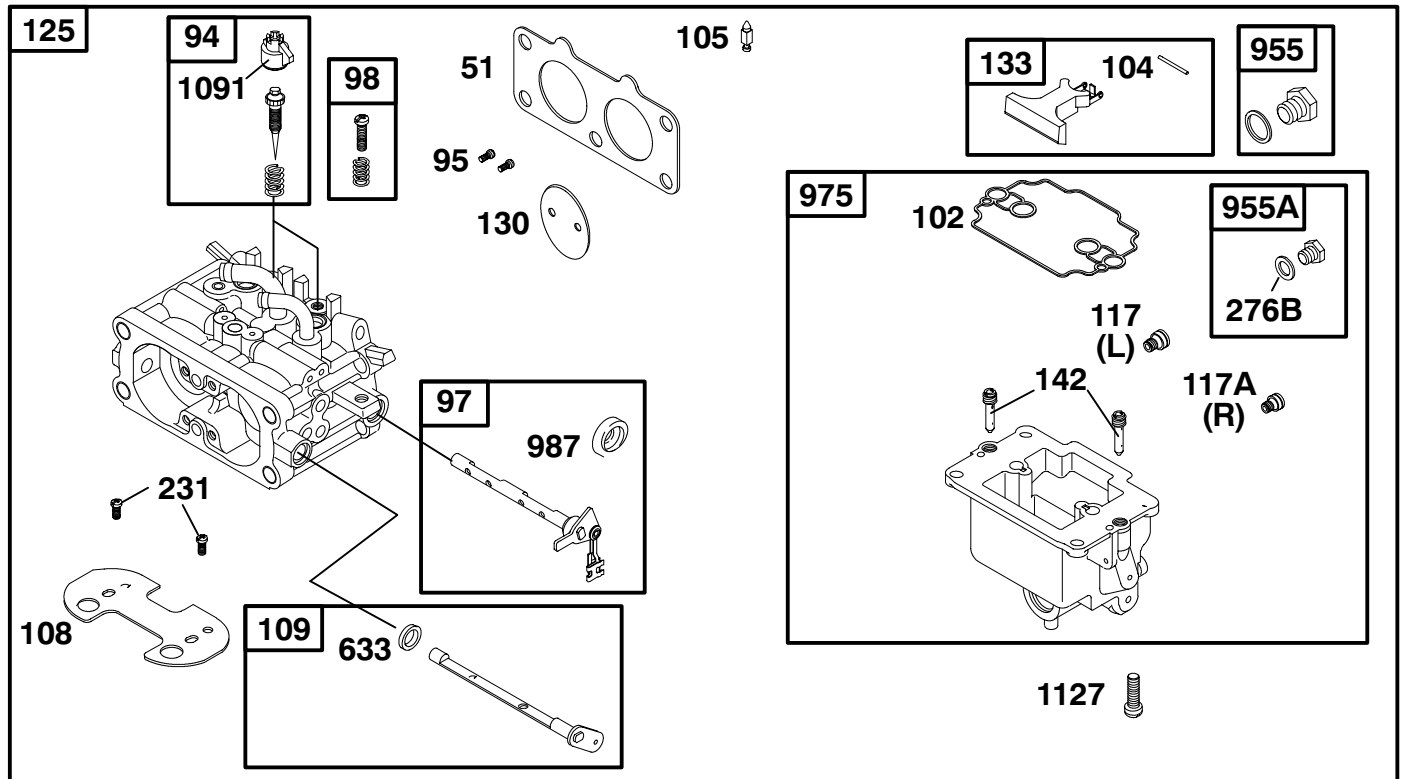
380700 to 380799



REF. NO.	PART NO.	DESCRIPTION	REF. NO.	PART NO.	DESCRIPTION	REF. NO.	PART NO.	DESCRIPTION
16	808675	Crankshaft ----- Note ----- 692172 Crankshaft Used on Type No(s). 0036, 0138.	26	808528	Ring Set (Standard) ----- Note ----- 808660 Ring Set (.010 Oversize) 808661 Ring Set (.020 Oversize) 808662 Ring Set (.030 Oversize)	32	690698	Screw (Connecting Rod)
25	808527	Piston Assembly (Standard) ----- Note ----- 808535 Piston Assembly (.010 Oversize) 808652 Piston Assembly (.020 Oversize) 808653 Piston Assembly (.030 Oversize)	27	806378	Piston Pin Lock	46	808649	Camshaft
			28	808526	Piston Pin	146	94196	Timing Key
			29	808646	Connecting Rod (Standard)	273	★690681	O-Ring Seal (Oil Pump)
						377	806066	Woodruff Key
						596	691492	Screw (Oil Pump)
						741	691530	Timing Gear
						1017	690878	Oil Pump Screen
						1024	693186	Oil Pump
						1025	690689	Governor Spool

★ Included in Engine Gasket Set-Ref. No. 358.
● Included in Carburetor Overhaul Kit-Ref. No. 121.

Included in Valve Gasket Set-Ref. No. 1095.



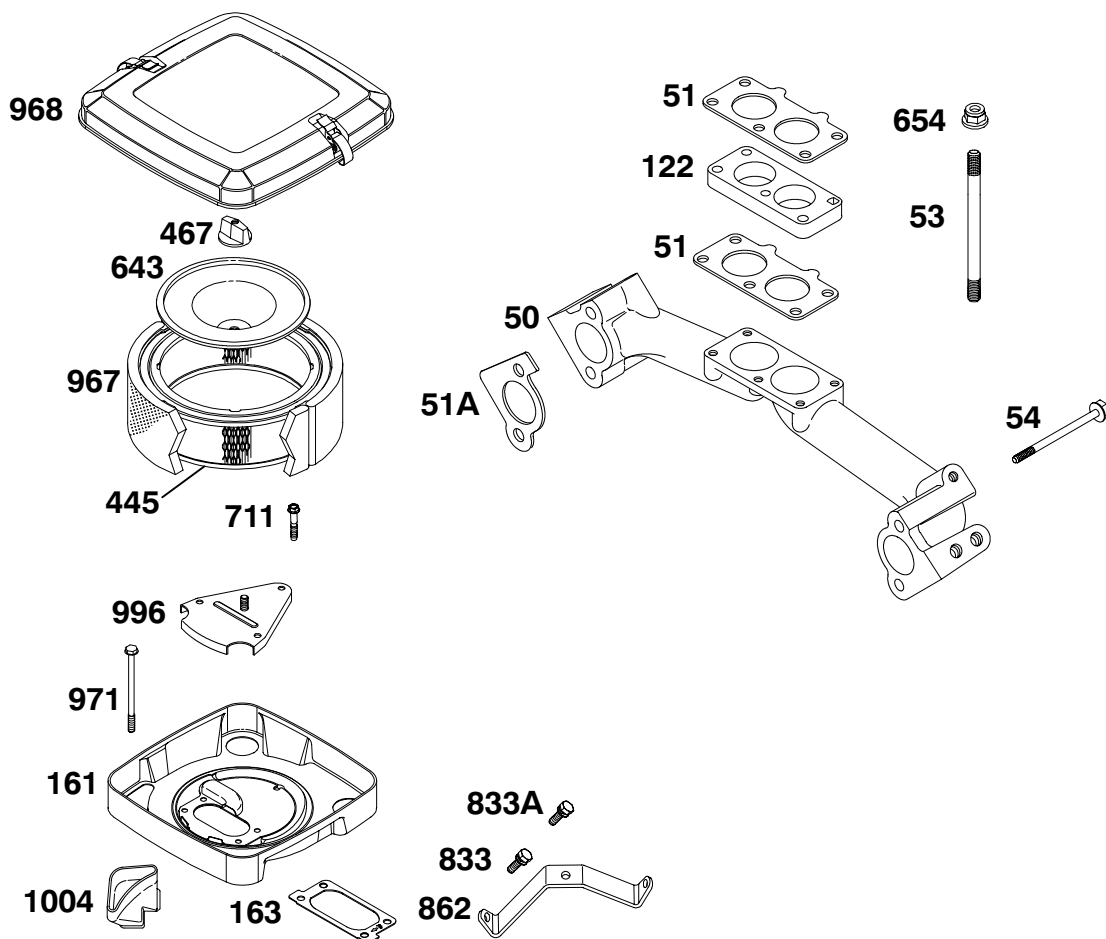
REF. NO.	PART NO.	DESCRIPTION	REF. NO.	PART NO.	DESCRIPTION	REF. NO.	PART NO.	DESCRIPTION
51	★690950	Intake Gasket	117A	●806373	Main Jet (R or Cylinder 2)	601A	95162	Hose Clamp
94	●808257	Idle Mixture Kit	125	808604	Carburetor	601B	93807	Hose Clamp
95	690718	Screw (Throttle Valve)	130	690884	Throttle Valve	628	806660	Screw (Fuel Pump Bracket)
97	808719	Throttle Shaft	133	808180	Carburetor Float	633	●690722	Choke Shaft Seal
98	808177	Idle Speed Kit	142	●806375	Carburetor Nozzle	788	691559	Fuel Pump Bracket
102	●693711	Carburetor Body Gasket	187	298049	Fuel Line (Cut to Required Length)	918	393815	Vacuum Hose (Cut to Required Length)
104	●690882	Float Hinge Pin	187A	691049	Fuel Line (Molded)	947	808624	Fuel Solenoid
105	808798	Float Needle Valve (Used After Code Date 99031600). ----- Note ----- ●805547 Float Needle Valve (Used Before Code Date 99031700).	231	690718	Screw (Choke Valve)	955	808176	Carburetor Plug
108	806372	Choke Valve	240	493629	Fuel Filter	955A	807723	Carburetor Plug
109	808181	Choke Shaft	276B	690724	Sealing Washer (Carburetor Plug)	975	808628	Float Bowl
117	●806374	Main Jet (L or Cylinder 1)	385	693169	Screw (Fuel Pump)	987	●806070	Throttle Shaft Seal
			387	808656	Fuel Pump	1054	280275	Cable Tie
			527	690423	Tube Clamp	1091	●691516	Limiter Cap
						1127	690885	Screw (Float Bowl)
						1139	806497	Washer (Fuel Pump Bracket)

★ Included in Engine Gasket Set-Ref. No. 358.

● Included in Carburetor Overhaul Kit-Ref. No. 121.

Included in Valve Gasket Set-Ref. No. 1095.

380700 to 380799

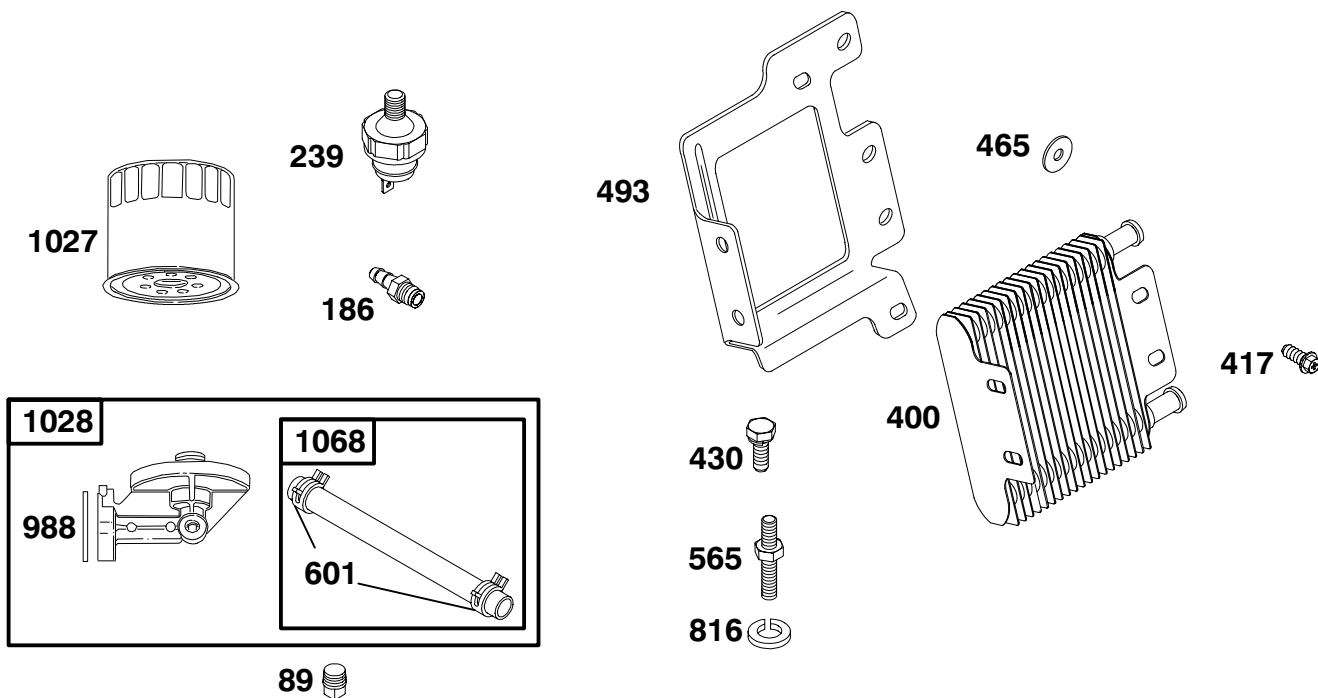


REF. NO.	PART NO.	DESCRIPTION	REF. NO.	PART NO.	DESCRIPTION	REF. NO.	PART NO.	DESCRIPTION
50	806376	Intake Manifold ----- Note ----- 808810 Intake Manifold Used on Type No(s). 0138.	161	808676	Air Cleaner Base	833A	692539	Screw (Air Cleaner Mounting Strap)
51	★690950	Intake Gasket	163	★806013	Air Cleaner Gasket	862	806440	Air Cleaner Mounting Strap
51A	★ 806418	Intake Gasket	445	692519	Air Cleaner Cartridge Filter	967	692520	Pre Cleaner Filter
53	690869	Stud (Carburetor)	467	491875	Air Cleaner Knob	968	808654	Air Cleaner Cover
54	806444	Screw (Intake Manifold)	643	805631	Air Filter Retainer	971	690866	Screw (Air Cleaner Base)
122	690870	Carburetor Spacer	654	690939	Nut (Carburetor)	996	690917	Carburetor Shield
			711	691492	Screw (Carburetor Shield)	1004	690865	Air Duct
			833	690872	Screw (Air Cleaner Mounting Strap)			

★ Included in Engine Gasket Set-Ref. No. 358.

● Included in Carburetor Overhaul Kit-Ref. No. 121.

Included in Valve Gasket Set-Ref. No. 1095.

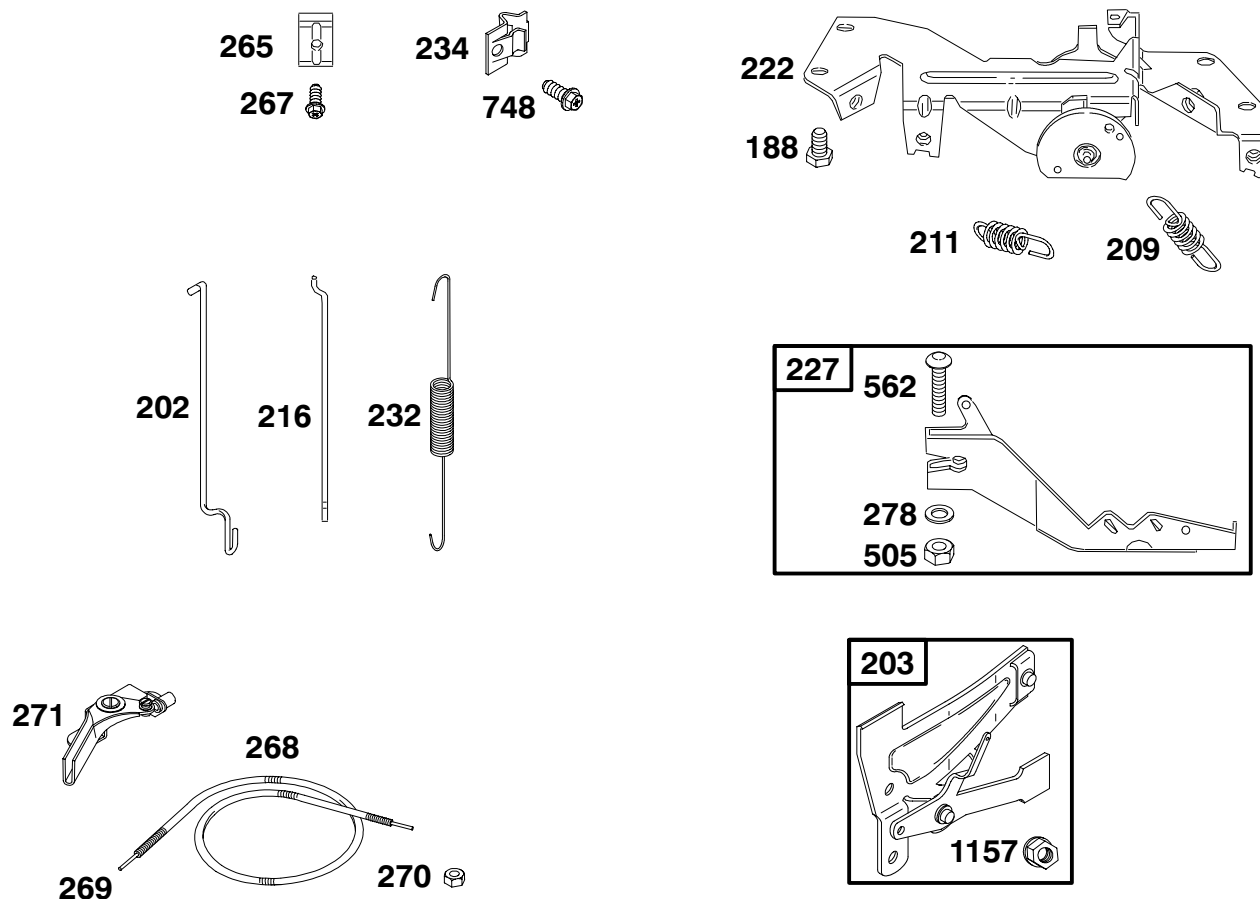


REF. NO.	PART NO.	DESCRIPTION	REF. NO.	PART NO.	DESCRIPTION	REF. NO.	PART NO.	DESCRIPTION
89	690283	Oil Plug	465	806647	Washer (Mounting Bracket)	988	★805250	Oil Adapter Gasket
186	693184	Hose Connector	493	806423	Mounting Bracket	1027	492932	Oil Filter
239	690233	Oil Pressure Switch (OIL GARD® Only)	565	690682	Stud (Oil Filter Adapter)	1028	808537	Oil Filter Adapter
400	808657	Oil Cooler	601	691145	Hose Clamp	1068	499501	Hose/Clamp Assembly
417	810074	Screw (Oil Cooler)	816	690706	Washer (Oil Filter Adapter)			
430	690679	Bolt (Oil Filter Adapter)						

★ Included in Engine Gasket Set-Ref. No. 358.
● Included in Carburetor Overhaul Kit-Ref. No. 121.

Included in Valve Gasket Set-Ref. No. 1095.

380700 to 380799

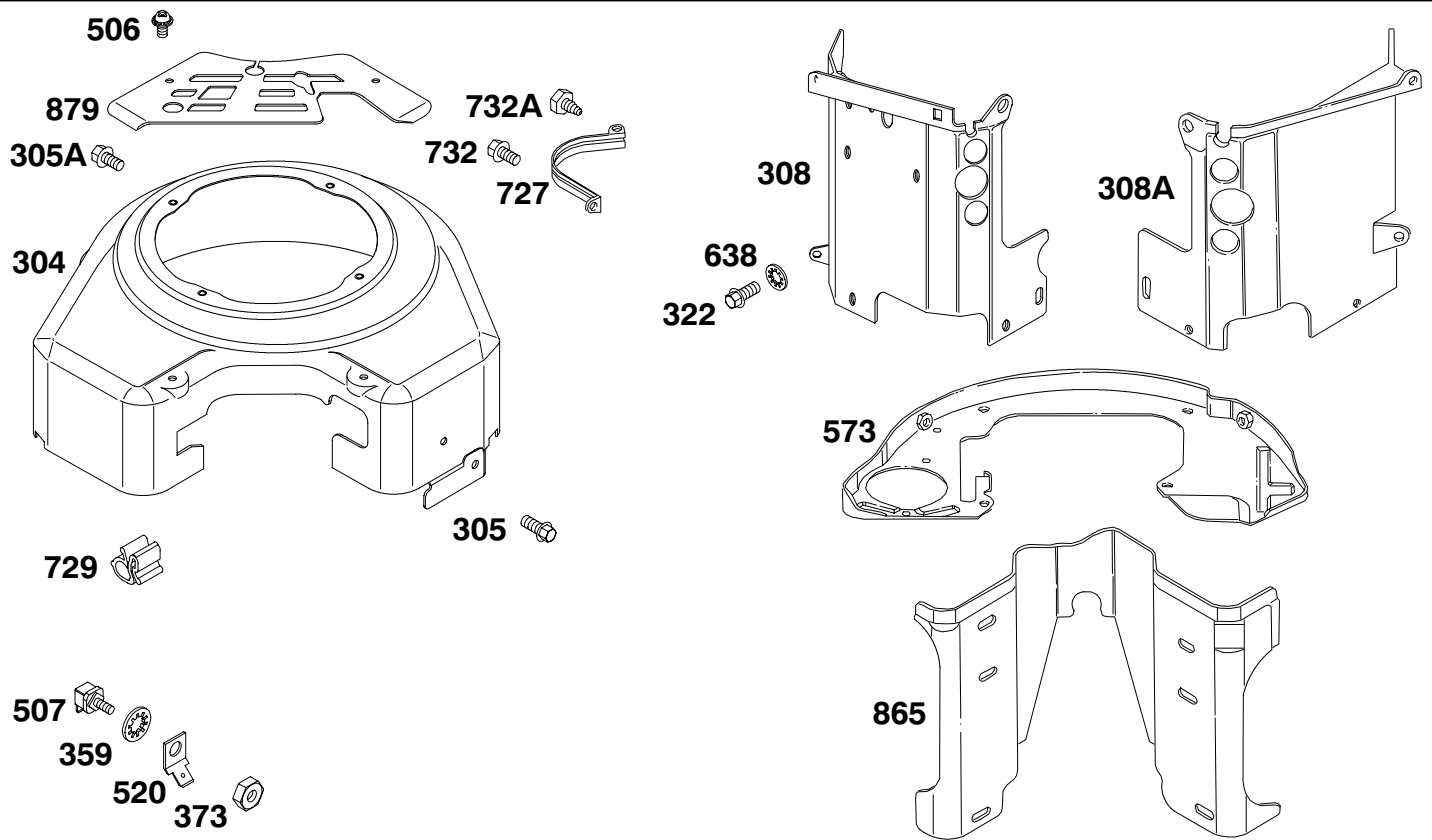


REF. NO.	PART NO.	DESCRIPTION	REF. NO.	PART NO.	DESCRIPTION	REF. NO.	PART NO.	DESCRIPTION
188	805025	Screw (Control Bracket)	227	690236	Governor Control Lever	271	290568	Control Lever
202	690867	Mechanical Governor Link	232	690874	Governor Link Spring	278	690237	Washer (Governor Control Lever)
203	808753	Bell Crank	234	221372	Control Rod Clip	505	690238	Nut (Governor Control Lever)
209	805460	Governor Spring	265	221535	Casing Clamp	562	690239	Bolt (Governor Control Lever)
		----- Note -----	267	805762	Screw (Casing Clamp)	748	805762	Screw (Control Rod Clip)
		805462 Governor Spring	268	65616	Control Wire Casing (Cut to Required Length)	1157	806447	Nut (Bell Crank)
		Used on Type No(s). 0036, 0131.	269	26633	Control Wire (Cut to Required Length)			
211	805453	Governed Idle Spring	270	63426	Nut (Control Wire Casing)			
216	690871	Choke Link						
222	808454	Control Bracket						

★ Included in Engine Gasket Set-Ref. No. 358.

● Included in Carburetor Overhaul Kit-Ref. No. 121.

Included in Valve Gasket Set-Ref. No. 1095.



1036 EMISSIONS LABEL

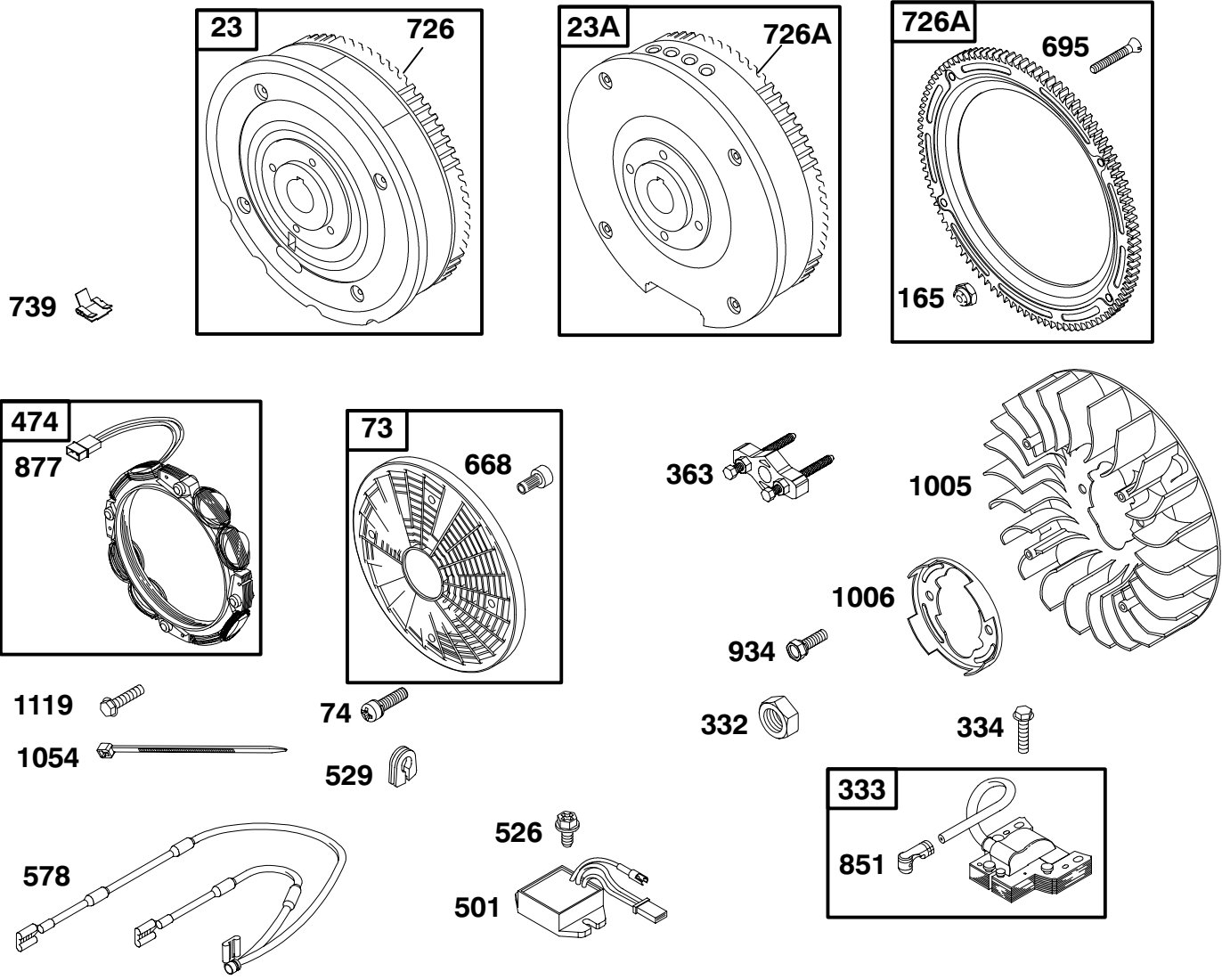
REF. NO.	PART NO.	DESCRIPTION	REF. NO.	PART NO.	DESCRIPTION	REF. NO.	PART NO.	DESCRIPTION
304	808658	Blower Housing (Red)	359	691077	Washer (Ground Terminal)	865	690750	Air Guide Cover
		----- Note -----	373	90576	Nut (Ground Terminal)	879	690757	Carburetor Cover
		808651 Blower Housing (Black)	506	690677	Screw (Carburetor Cover)	1036	806699	Emission Label (Used After Code Date 99093000).
305	805025	Screw (Blower Housing)	507	398525	Insulator			----- Note -----
305A	692539	Screw (Blower Housing)	520	691084	Ground Terminal			806644 Emission Label (Used Before Code Date 99100100 and After Code Date 98123100).
308	692806	Cylinder Head Cover (Cylinder 1)	573	690902	Back Plate			806644 Emission Label (Used Before Code Date 99010100).
308A	692805	Cylinder Head Cover (Cylinder 2)	638	691551	Washer (Cylinder Head Cover)			
322	692539	Screw (Cylinder Head Cover)	727	690714	Starter Drive Cover			
			729	690586	Wire Clip			
			732	692539	Screw (Starter Drive Cover)			
			732A	690688	Screw (Starter Drive Cover)			

★ Included in Engine Gasket Set-Ref. No. 358.

● Included in Carburetor Overhaul Kit-Ref. No. 121.

Included in Valve Gasket Set-Ref. No. 1095.

380700 to 380799

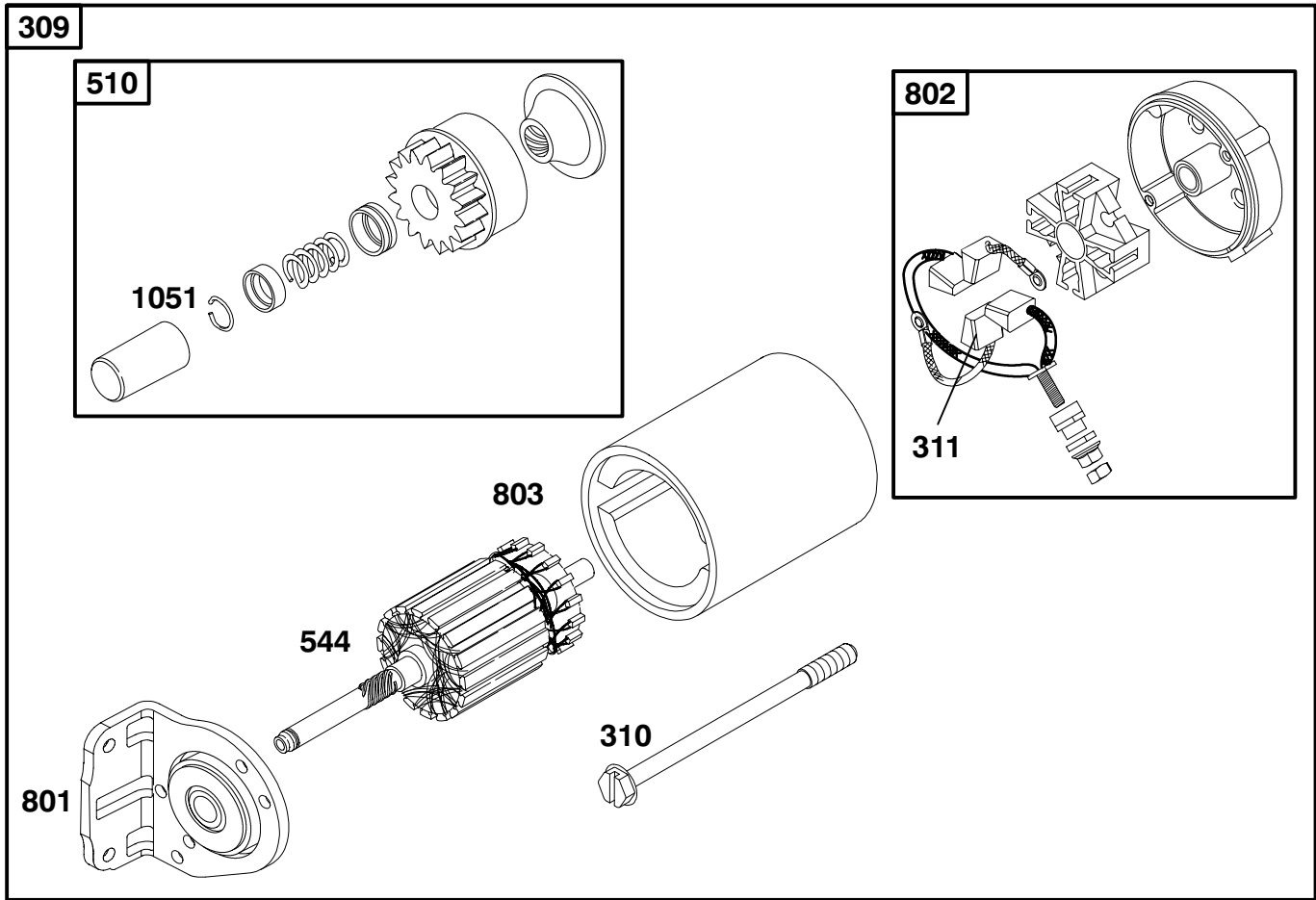


REF. NO.	PART NO.	DESCRIPTION	REF. NO.	PART NO.	DESCRIPTION	REF. NO.	PART NO.	DESCRIPTION
23	808768	Flywheel (Steel Ring Gear)	363	19203	Flywheel Puller	726A	807805	Ring Gear (Aluminum)
23A	690921	Flywheel (Aluminum Ring Gear)	474	393295	Alternator	739	690451	Debris Clip
73	494439	Rotating Screen	501	394890	Regulator	851	493880	Spark Plug Terminal
74	94417	Screw (Rotating Screen)	526	805448	Screw (Regulator)	877	399916	Alternator Connector/Wire
165	693148	Nut (Ring Gear)	529	690744	Grommet	934	94627	Screw (Fan Retainer)
332	690887	Nut (Flywheel)	578	493792	Wire Assembly	1005	690911	Flywheel Fan
333	492341	Magneto Armature	668	691500	Spacer	1006	690452	Fan Retainer
334	805407	Screw (Magneto Armature)	695	693109	Screw (Ring Gear)	1054	280275	Cable Tie
			726		Ring Gear (Steel)	1119	691552	Screw (Alternator)
					(Sold in Flywheel Kit Only; Ref. 23)			

★ Included in Engine Gasket Set-Ref. No. 358.

● Included in Carburetor Overhaul Kit-Ref. No. 121.

Included in Valve Gasket Set-Ref. No. 1095.



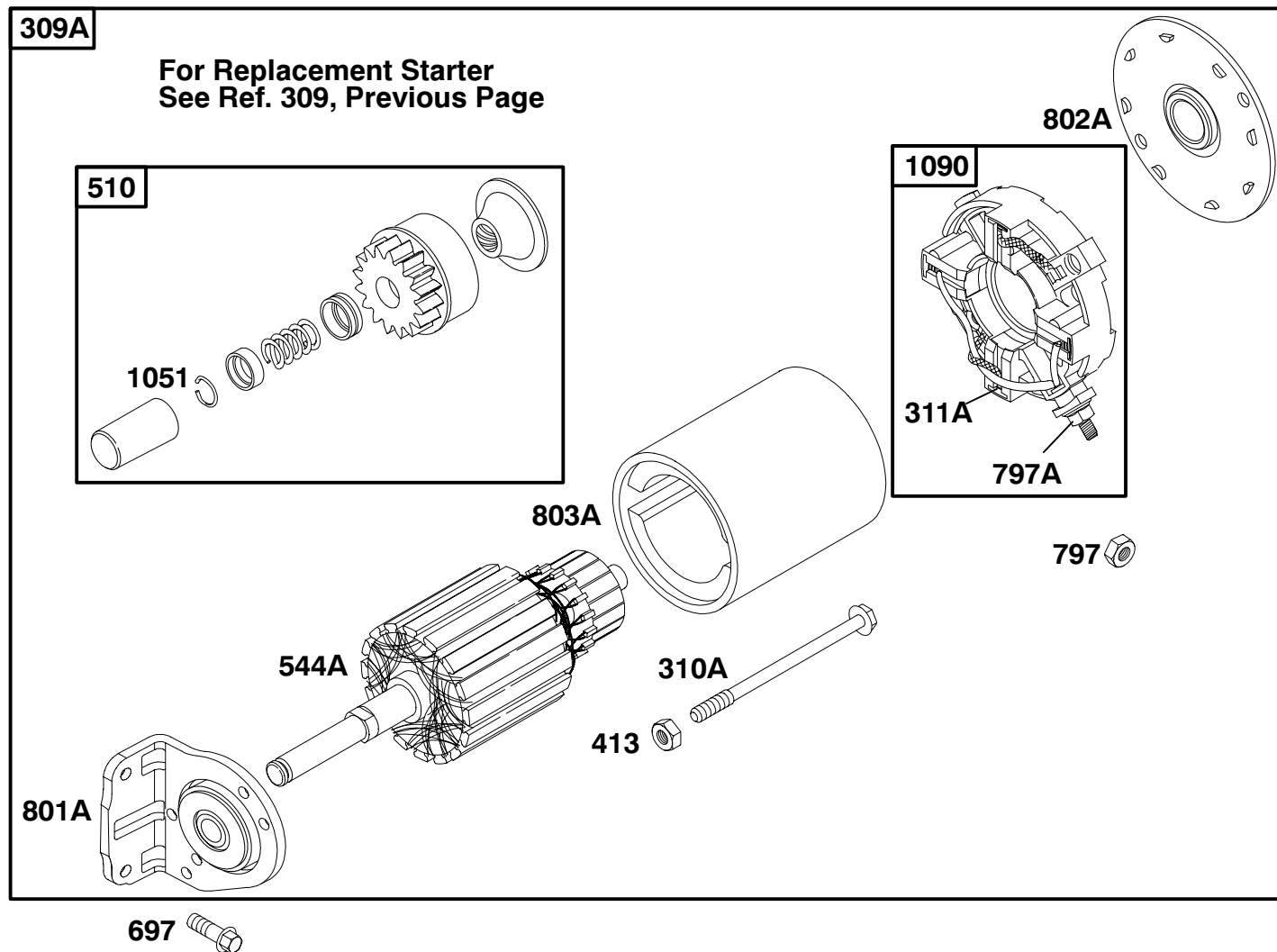
697 

REF. NO.	PART NO.	DESCRIPTION	REF. NO.	PART NO.	DESCRIPTION	REF. NO.	PART NO.	DESCRIPTION
309	691564	Starter Motor (Steel Pinion)	510	496881	Starter Drive	801	808777	Drive Cap
310	496880	Bolt (Starter Motor)	544	690855	Starter Armature	802	496813	End Cap
311	496887	Brush Set	697	805247	Screw (Drive Cap)	803	690854	Starter Housing
						1051	691124	Retaining Ring

★ Included in Engine Gasket Set-Ref. No. 358.
 ● Included in Carburetor Overhaul Kit-Ref. No. 121.

Included in Valve Gasket Set-Ref. No. 1095.

380700 to 380799

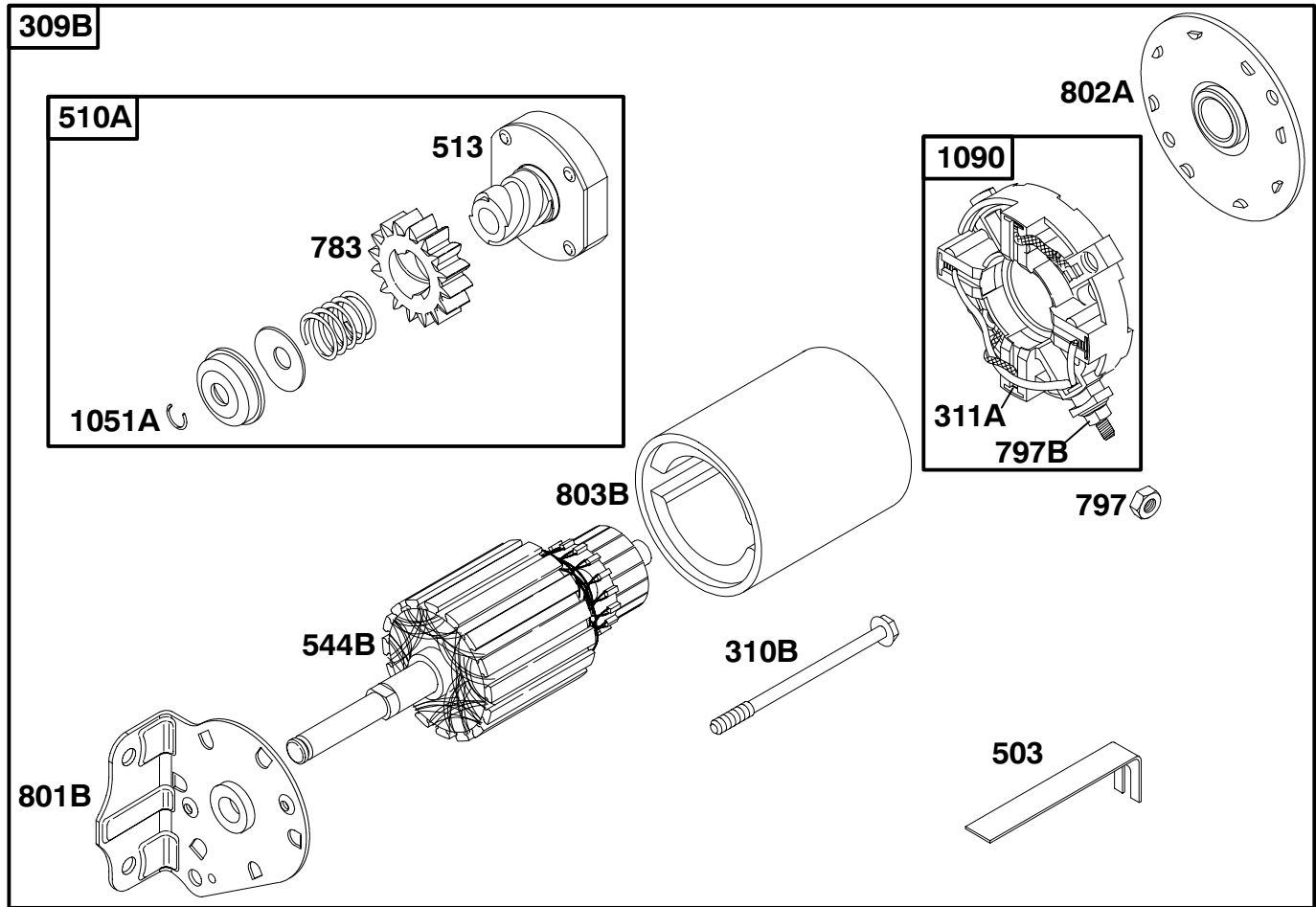


REF. NO.	PART NO.	DESCRIPTION	REF. NO.	PART NO.	DESCRIPTION	REF. NO.	PART NO.	DESCRIPTION
309A		Starter Motor (For Replacement Starter Motor, See Ref. 309, Previous Page)	413	693587	Nut (Starter Motor)	797A	693587	Nut (Brush Retainer)
310A	690323	Bolt (Starter Motor)	510	496881	Starter Drive	801A	808778	Drive Cap
311A	497608	Brush Set	544A	693548	Starter Armature	802A	497607	End Cap
			697	805247	Screw (Drive Cap)	803A	693547	Starter Housing
			797	92278	Nut (Brush Retainer)	1051	691124	Retaining Ring
						1090	497605	Brush Retainer

★ Included in Engine Gasket Set-Ref. No. 358.

● Included in Carburetor Overhaul Kit-Ref. No. 121.

Included in Valve Gasket Set-Ref. No. 1095.



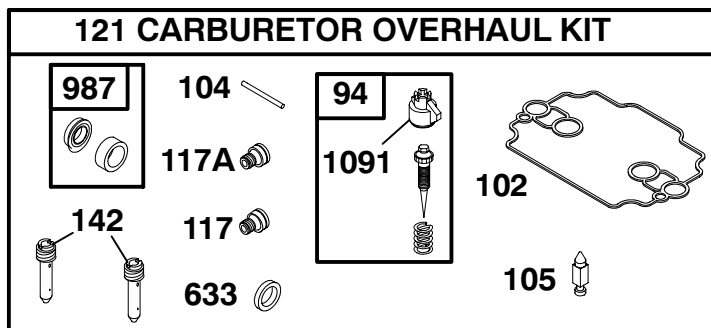
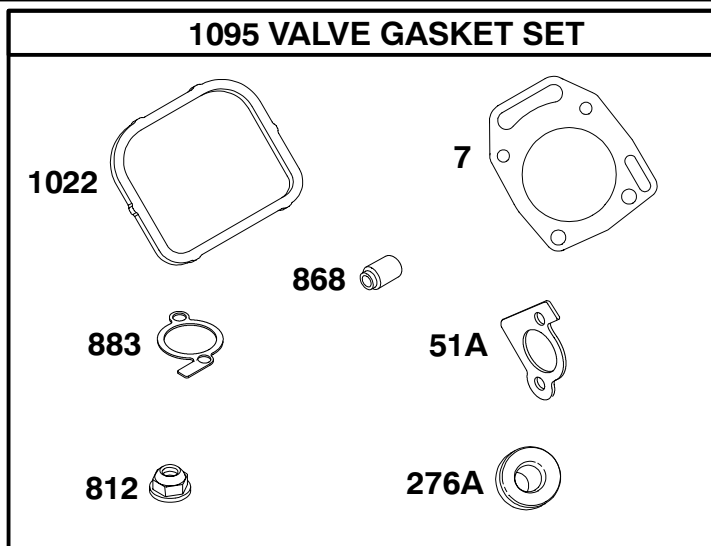
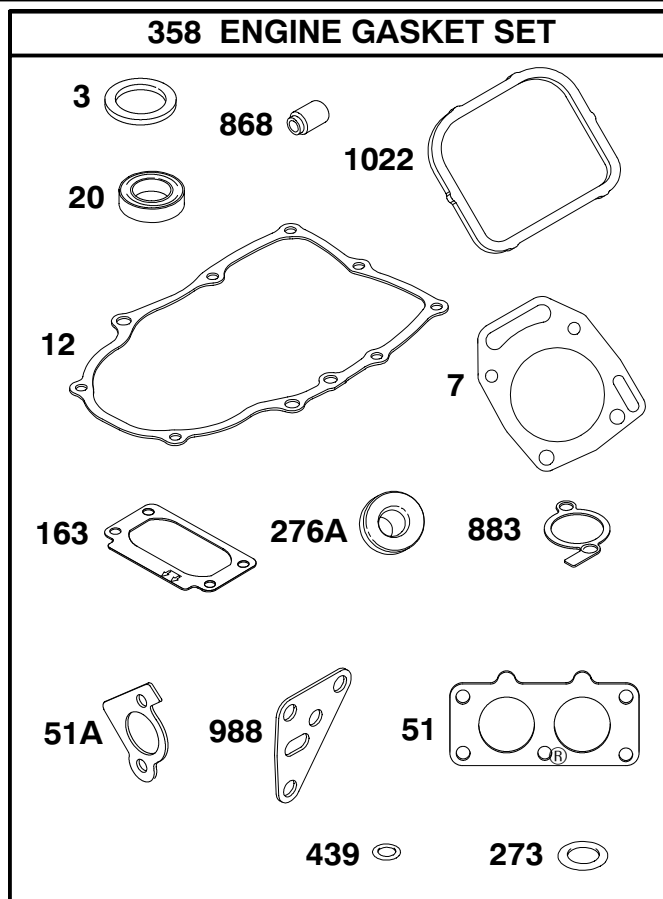
REF. NO.	PART NO.	DESCRIPTION	REF. NO.	PART NO.	DESCRIPTION	REF. NO.	PART NO.	DESCRIPTION
309B	499521	Starter Motor (Used With Aluminum Ring Gear Only)	544B		Starter Armature (Served By 499521 Starter Motor Only)	797B	693167	Nut (Brush Retainer)
310B	691263	Bolt (Starter Motor)	697	805247	Screw (Drive Cap)	801B	691429	Drive Cap
311A	497608	Brush Set	783	693059	Pinion Gear	802A	497607	End Cap
503	691532	Starter Strap	797	92278	Nut (Brush Retainer)	803B		Starter Housing (Served By 499521 Starter Motor Only)
510A	497606	Starter Drive				1051A	263080	Retaining Ring
513	398003	Drive Clutch				1090	497605	Brush Retainer

★ Included in Engine Gasket Set-Ref. No. 358.

● Included in Carburetor Overhaul Kit-Ref. No. 121.

Included in Valve Gasket Set-Ref. No. 1095.

380700 to 380799



REF. NO.	PART NO.	DESCRIPTION	REF. NO.	PART NO.	DESCRIPTION	REF. NO.	PART NO.	DESCRIPTION
3	★805101	Oil Seal (Magneto Side)	117	●806374	Main Jet (L or Cylinder 1)	633	●690722	Choke Shaft Seal
7	★ 806377	Cylinder Head Gasket	117A	●806373	Main Jet (R or Cylinder 2)	812	805019	Nut (Rocker Arm Cover)
12	★806190	Crankcase Gasket	121	808618	Carburetor Overhaul Kit	868	★ 805094	Valve Seal
20	★805049	Oil Seal (PTO Side)	142	●806375	Carburetor Nozzle	883	★ 806425	Exhaust Gasket
51	★690950	Intake Gasket	163	★806013	Air Cleaner Gasket	987	●806070	Throttle Shaft Seal
51A	★ 806418	Intake Gasket	273	★690681	O-Ring Seal (Oil Pump)	988	★805250	Oil Adapter Gasket
94	●808257	Idle Mixture Kit	276A	★ 805420	Sealing Washer	1022	★ 806039	Rocker Cover Gasket
102	●693711	Carburetor Body Gasket	358	808617	Engine Gasket Set	1091	●691516	Limiter Cap
104	●690882	Float Hinge Pin	439	★692154	O-Ring Seal (Crankcase Cover/Sump)	1095	808619	Valve Gasket Set
105	●805547	Float Needle Valve (Used Before Code Date 99031700).						

★ Included in Engine Gasket Set-Ref. No. 358.

● Included in Carburetor Overhaul Kit-Ref. No. 121.

Included in Valve Gasket Set-Ref. No. 1095.