

28M700 to 28M799

Illustrated Parts List

Model Series

28M700 to 28M799

TYPE NUMBERS

0026, 0029, 0036,
0101, 0102,
0112 through 0118,
0122 through 0138,
0140 through 0148,
0178, 0179, 0180,
0526, 0529, 0604,
0615, 0622, 0633,
0647, 0648, 0660,

TYPE NUMBERS

1026, 1029, 1031,
1036, 1039, 1040,
1102, 1113,
1122 through 1138,
1141,
1147 through 1150,
1160 through 1166,
1178, 1179,
1180 through 1190,
1193.

TO FIND

**THE CORRECT NUMBER OF THE PART YOU NEED:
FOLLOW THE INSTRUCTIONS BELOW**

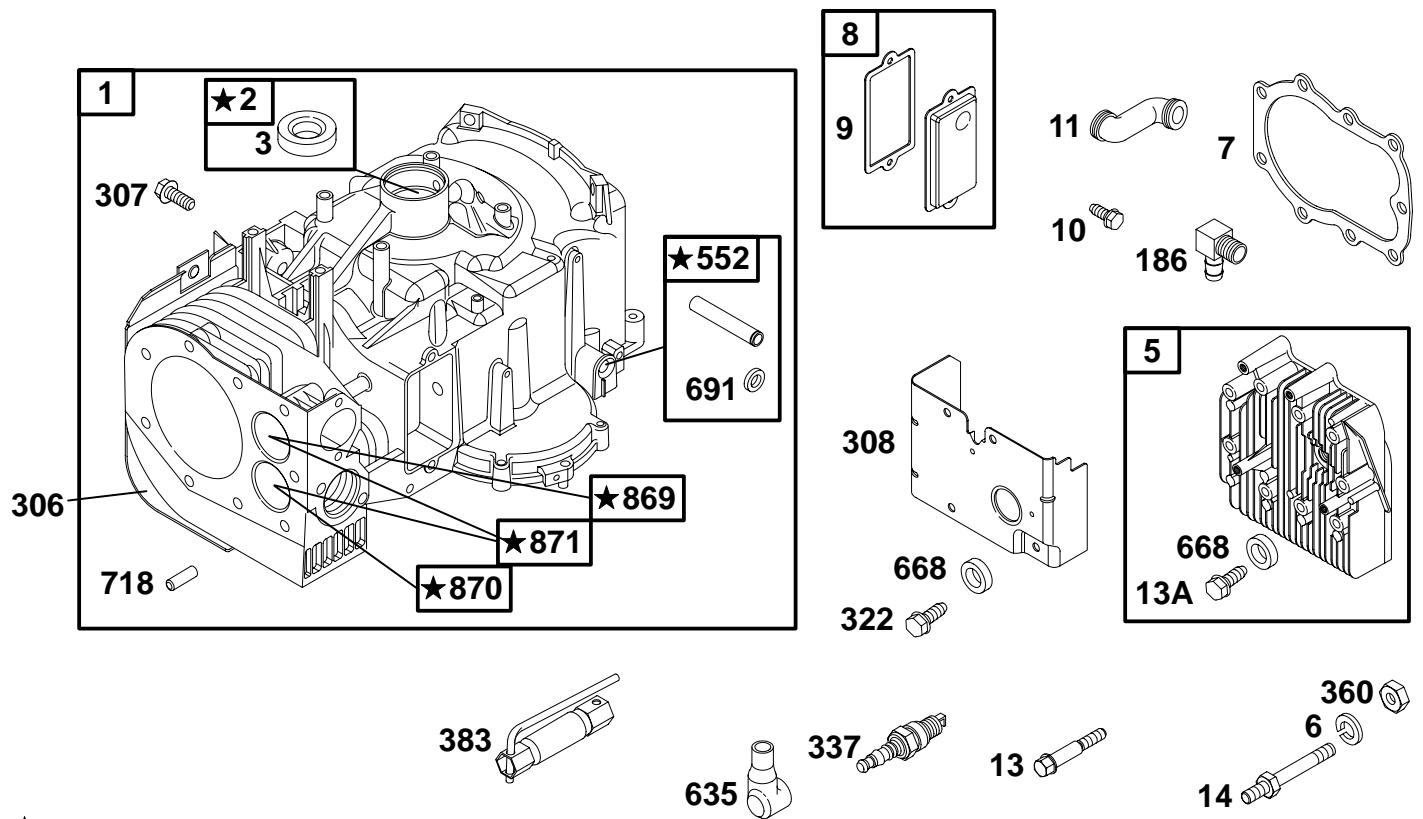
- A. Refer to Engine Model, Type and Code Number that is stamped on the blower housing of engine. Engine type numbers such as 0123 01 are listed only as 0123 in most instances. The two digits (01 or 02, etc.) to the right of the space may be required for more accurate parts identification in some instances. Select the Illustrated Parts List covering the correct Model Series and Type Number.
- B. Refer to the Illustrations and compare the original part with Illustration. The number next to the illustration is the Reference Number. Assemblies include all parts shown in frames. All parts shown in assembly frames having individual reference numbers can be purchased separately.
- C. After the Reference Number has been identified, refer to the Numerical text, where Reference and Primary Part Number are listed. **THE PRIMARY PART IS USED ON ALL TYPE NUMBERS EXCEPT THOSE TYPE NUMBERS UNDER "NOTE."**
- D. If a "Note" appears below the Primary Part Number, it means that this part differs from the Primary Part for certain types. If your Type number is listed under "Note," order the part referred to at the "Note."
- E. If your Engine Type Number does not appear after any part number listed under "Note," use the Primary Part Number.
- F. For Engine Type Numbers not covered by this book, check other Parts Lists having the same engine model or contact your source of supply.

PRINTED IN U.S.A.


BRIGGS & STRATTON

COPYRIGHT by BRIGGS & STRATTON CORPORATION
All rights reserved. No part of this material may be reproduced or transmitted, in any form or by any means, electronic or mechanical, including photocopying, recording or by any information storage and retrieval system, without permission in writing from Briggs & Stratton Corporation.

28M700 to 28M799



★ REQUIRES SPECIAL TOOLS TO INSTALL. SEE REPAIR INSTRUCTION MANUAL.

1058 OWNER'S MANUAL

1019 LABEL KIT

REF. NO.	PART NO.	DESCRIPTION	REF. NO.	PART NO.	DESCRIPTION	REF. NO.	PART NO.	DESCRIPTION
1	496413	Cylinder Assembly	13	94622	Screw (Cylinder Head)	691	★491323	Seal-Governor Shaft
2	399265	Kit-Bushing/Seal (Magneto Side)	13A	94881	Screw (Cylinder Head)	718	230192	Pin-Locating
3	★391086	Seal-Oil (Magneto Side)	14	691109	Stud (Cylinder Head)	869	261463	Seat-Valve (Intake)
5	494240	Head-Cylinder	186	67218	Connector-Hose	870	262924	Seat-Valve (Exhaust)
6	691075	Washer (Cylinder Head)	306	690459	Shield-Cylinder	871	261961	Bushing-Valve Guide (Exhaust Valve)
7	∅★271866	Gasket-Cylinder Head	307	94930	Screw (Cylinder Shield)	————— Note —————		
8	495735	Breather Assembly	308	491490	Cover-Cylinder Head	231218		Bushing-Valve Guide (Intake Valve)
		————— Note —————	322	94786	Screw (Cylinder Head Cover)	1019	491252	Kit-Label
		495734 Breather Assembly	337	802592	Sparkplug (Resistor Type)	1058	274787	Owner's Manual (Emission Engines)
		Used on Type No(s). 0115, 0143, 0146, 0615, 0647, 0660, 1162, 1189, 1190.	360	691105	Nut (Fuel Tank Bracket)	————— Note —————		
9	∅★27803	Gasket-Breather	383	89838	Wrench-Sparkplug	272697		Owner's Manual (Non Emission Engines)
10	691666	Screw (Breather Assembly)	552	491986	Bushing-Governor Crank			
11	280100	Tube-Breather	635	66538	Boot-Sparkplug			
			668	690510	Spacer			

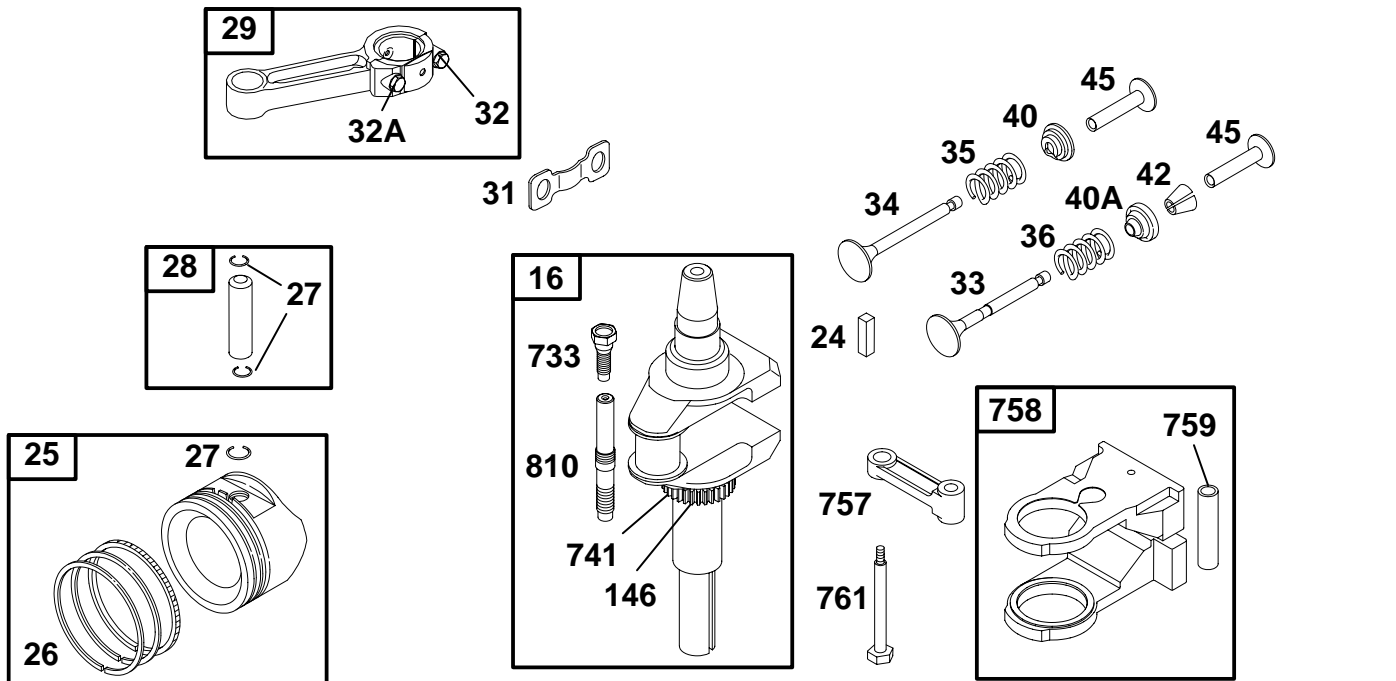
★ Included in Engine Gasket Set-Ref 358.

● Included in Carburetor Overhaul Kit-Ref 121 & 121A

◆ Included in Carburetor Gasket Set-Ref 977.

∅ Included in Valve Gasket Set-Ref 1095 & 1095A

28M700 to 28M799



REF. NO.	PART NO.	DESCRIPTION	REF. NO.	PART NO.	DESCRIPTION	REF. NO.	PART NO.	DESCRIPTION
16	693944	Crankshaft (Used After Code Date 95073100). Note 498971 Crankshaft (Used Before Code Date 95080100).	27	691299	Lock-Piston Pin (Used After Code Date 95101500). Note 260924 Lock-Piston Pin (Used Before Code Date 95101600).	31	222299	Lock-Rod Screw
24	222698	Key-Flywheel	28	498319	Pin-Piston (Standard) (Used After Code Date 95101500). Note 299691 Pin-Piston (Standard) (Used Before Code Date 95101600).	32	690356	Screw (1 7/8" Long) (Connecting Rod)
25	499282	Piston Assembly (Standard) Note 499288 Piston Assembly (.010" O.S.) 499292 Piston Assembly (.020" O.S.) 499296 Piston Assembly (.030" O.S.)	29	494504	Rod-Connecting (Standard) Note 495490 Rod-Connecting (.020" Undersize)	32A	690348	Screw (1 5/8" Long) (Connecting Rod)
26	391780	Ring Set (Standard) Note 392331 Ring Set (Chrome Standard) 391781 Ring Set (.010" O.S.) 391782 Ring Set (.020" O.S.) 499999 Ring Set (.030" O.S.)			498320 Pin-Piston (.005" O.S.) (Used After Code Date 95101500). 391286 Pin-Piston (.005" O.S.) (Used Before Code Date 95101600).	33	262246	Valve-Exhaust
					498320 Pin-Piston (.005" O.S.) (Used After Code Date 95101500). 391286 Pin-Piston (.005" O.S.) (Used Before Code Date 95101600).	34	262247	Valve-Intake
					498320 Pin-Piston (.005" O.S.) (Used After Code Date 95101500). 391286 Pin-Piston (.005" O.S.) (Used Before Code Date 95101600).	35	65906	Spring-Valve (Intake)
					498320 Pin-Piston (.005" O.S.) (Used After Code Date 95101500). 391286 Pin-Piston (.005" O.S.) (Used Before Code Date 95101600).	36	26828	Spring-Valve (Exhaust)
					498320 Pin-Piston (.005" O.S.) (Used After Code Date 95101500). 391286 Pin-Piston (.005" O.S.) (Used Before Code Date 95101600).	40	221596	Retainer-Valve (Intake)
					498320 Pin-Piston (.005" O.S.) (Used After Code Date 95101500). 391286 Pin-Piston (.005" O.S.) (Used Before Code Date 95101600).	40A	292260	Retainer-Valve (Exhaust)
					498320 Pin-Piston (.005" O.S.) (Used After Code Date 95101500). 391286 Pin-Piston (.005" O.S.) (Used Before Code Date 95101600).	42	494553	Keeper-Valve
					498320 Pin-Piston (.005" O.S.) (Used After Code Date 95101500). 391286 Pin-Piston (.005" O.S.) (Used Before Code Date 95101600).	45	262248	Tappet-Valve
					498320 Pin-Piston (.005" O.S.) (Used After Code Date 95101500). 391286 Pin-Piston (.005" O.S.) (Used Before Code Date 95101600).	741	691284	Gear-Timing
					498320 Pin-Piston (.005" O.S.) (Used After Code Date 95101500). 391286 Pin-Piston (.005" O.S.) (Used Before Code Date 95101600).	757	213998	Link-Counterweight
					498320 Pin-Piston (.005" O.S.) (Used After Code Date 95101500). 391286 Pin-Piston (.005" O.S.) (Used Before Code Date 95101600).	758	692423	Counterweight
					498320 Pin-Piston (.005" O.S.) (Used After Code Date 95101500). 391286 Pin-Piston (.005" O.S.) (Used Before Code Date 95101600).	759	691239	Pin-Counterweight
					498320 Pin-Piston (.005" O.S.) (Used After Code Date 95101500). 391286 Pin-Piston (.005" O.S.) (Used Before Code Date 95101600).	761	691096	Screw (Counterweight)
					498320 Pin-Piston (.005" O.S.) (Used After Code Date 95101500). 391286 Pin-Piston (.005" O.S.) (Used Before Code Date 95101600).	810	231828	Extension-Crankshaft

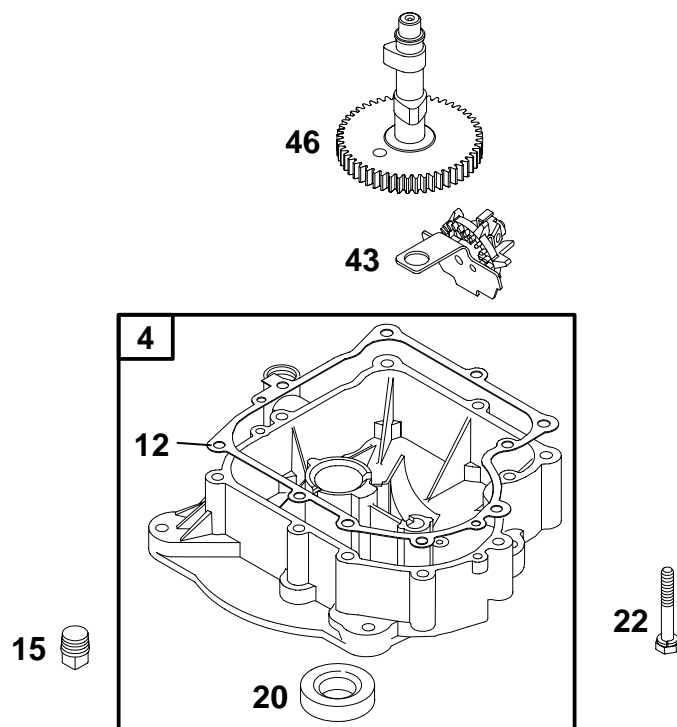
★ Included in Engine Gasket Set-Ref 358.

● Included in Carburetor Overhaul Kit-Ref 121 & 121A

◆ Included in Carburetor Gasket Set-Ref 977.

⊘ Included in Valve Gasket Set-Ref 1095 & 1095A

28M700 to 28M799



REF. NO.	PART NO.	DESCRIPTION	REF. NO.	PART NO.	DESCRIPTION	REF. NO.	PART NO.	DESCRIPTION
4	494238	Sump-Engine	15	94239	Plug-Oil Drain	43	490815	Slinger-Governor/Oil
12	★271916	Gasket-Crankcase (.015" Standard)			Note	46	212897	Camshaft
		Note			94880 Plug-Oil Drain			Note
		★271997 Gasket-Crankcase (.005")			Used on Type No(s). 0136.			692123 Camshaft
		★271996 Gasket-Crankcase (.009")	20	★291675	Seal-Oil (PTO Side)			Used on Type No(s). 1031, 1141, 1148, 1149, 1150, 1162, 1166, 1189, 1190, 1193.
			22	692125	Screw (Crankcase Cover/ Sump)			

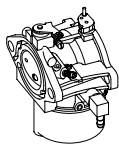
★ Included in Engine Gasket Set-Ref 358.

● Included in Carburetor Overhaul Kit-Ref 121 & 121A

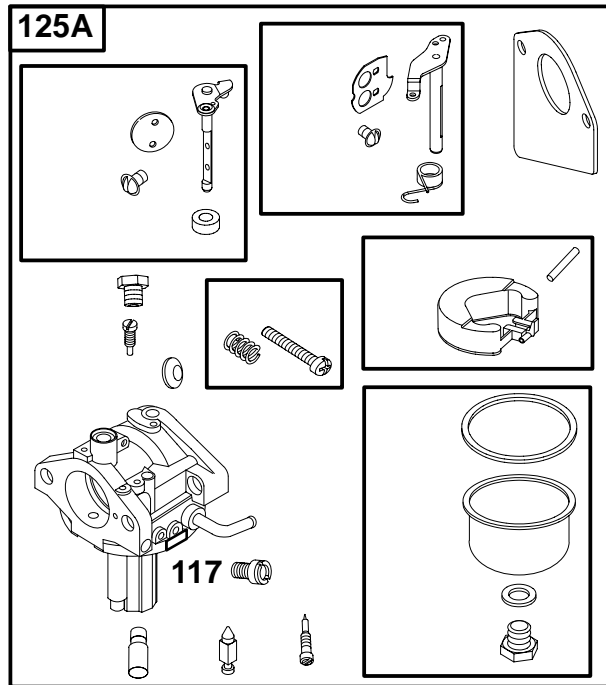
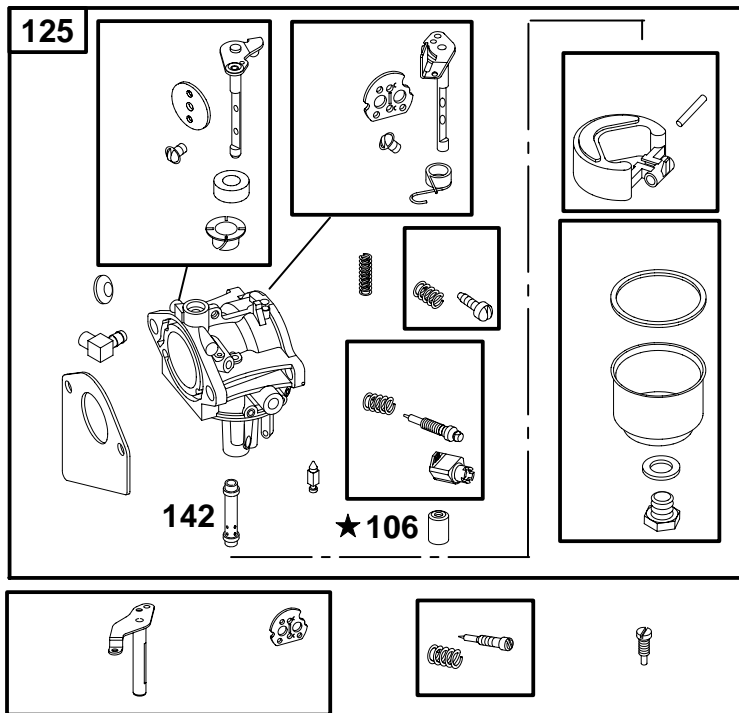
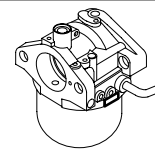
◆ Included in Carburetor Gasket Set-Ref 977.

∅ Included in Valve Gasket Set-Ref 1095 & 1095A

WALBRO



NIKKI



SEE NEXT PAGE FOR COMPONENT SERVICE

★ **REQUIRES SPECIAL TOOLS TO INSTALL. SEE REPAIR INSTRUCTION MANUAL.**

REF. NO.	PART NO.	DESCRIPTION	REF. NO.	PART NO.	DESCRIPTION	REF. NO.	PART NO.	DESCRIPTION
106	●231854	Seat-Inlet (Gravity Feed) Note _____ ●231856 Seat-Inlet (Pump Feed)	125	498027	Carburetor (Walbro) (Gravity Feed)	142	●691434	Nozzle-Carburetor (Standard) (LMT 92, 94, 96) Note _____
117	●690880	Jet-Main Note _____ ●694925 Jet-Main (High Altitude)		499158	Carburetor (Walbro) (Pump Feed)		497737	Nozzle-Carburetor (High Altitude) (LMT 92, 94, 96)
			125A	694941	Carburetor (Nikki)		●691425	Nozzle-Carburetor (Standard) (LMT 37, 39, 41, 77, 79, 81, 157, 159)
							497567	Nozzle-Carburetor (High Altitude) (LMT 37, 39, 41, 77, 79, 81, 157, 159)

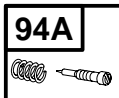
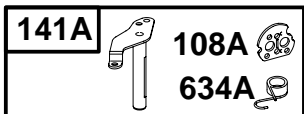
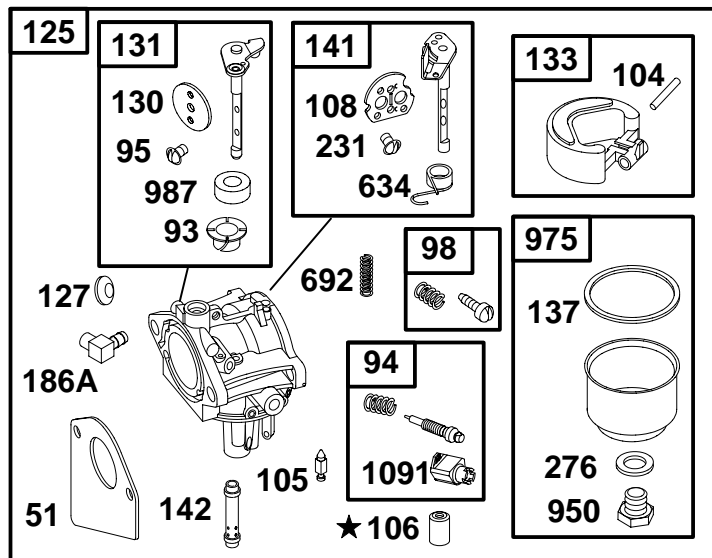
★ Included in Engine Gasket Set-Ref 358.
● Included in Carburetor Overhaul Kit-Ref 121 & 121A

◆ Included in Carburetor Gasket Set-Ref 977.
∅ Included in Valve Gasket Set-Ref 1095 & 1095A

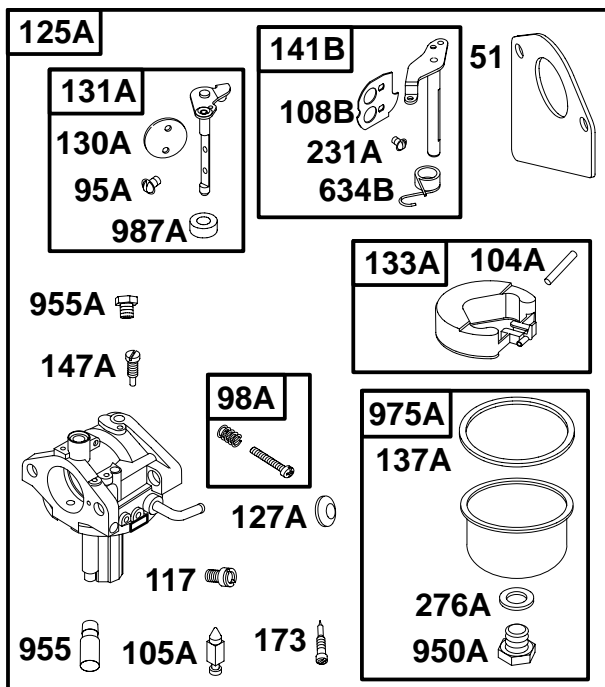
28M700 to 28M799

★ REQUIRES SPECIAL TOOLS TO INSTALL. SEE REPAIR INSTRUCTION MANUAL.

WALBRO



NIKKI



REF. NO.	PART NO.	DESCRIPTION	REF. NO.	PART NO.	DESCRIPTION	REF. NO.	PART NO.	DESCRIPTION
51	●♦272465	Gasket-Intake	125A		Carburetor (Nikki) (See Previous Page)	147A	●694927	Jet-Pilot
93	690602	Bushing-Throttle Shaft	127	●695005	Plug-Welch	173	694926	Valve-Idle Mixture
94	498030	Kit-Idle Mixture	127A	●694916	Plug-Welch	186A	493496	Connector-Hose
94A	496589	Kit-Idle Mixture	130	224539	Valve-Throttle	231	●94098	Screw (Choke Valve)
95	●94098	Screw (Throttle Valve)	130A	694917	Valve-Throttle	231A	●690718	Screw (Choke Valve)
95A	●690718	Screw (Throttle Valve)	131	494379	Kit-Throttle Shaft	276	●♦281164	Washer-Sealing
98	495800	Kit-Idle Speed	131A	694909	Kit-Throttle Shaft	276A	●♦690997	Washer-Sealing
98A	694907	Kit-Idle Speed	133	494381	Float-Carburetor	634	●690801	Spring/Seal Assembly (Manual Choke)
104	●690525	Pin-Float Hinge	133A	694914	Float-Carburetor	634A	●690802	Spring/Seal Assembly (Choke A Matic)
104A	●694918	Pin-Float Hinge	137	●♦281165	Gasket-Float Bowl	634B	●694912	Spring/Seal Assembly
105	●231855	Valve-Float Needle	137A	●♦694920	Gasket-Float Bowl	692	690572	Spring-Detent
105A	●694922	Valve-Float Needle	141	495097	Kit-Choke Shaft (Manual Choke)	950	94642	Screw-Float Bowl
106		Inlet Seat (See Previous Page)	141A	495931	Kit-Choke Shaft (Choke A Matic)	950A	694919	Screw-Float Bowl
108	690464	Valve-Choke (Manual Choke)	141B	694913	Kit-Choke Shaft (See Previous Page)	955	●694924	Plug-Carburetor
108A	692344	Valve-Choke (Choke A Matic)	142		Nozzle-Carburetor (See Previous Page)	955A	694921	Plug-Carburetor
108B	694923	Valve-Choke	147	●497472	Jet-Pilot (LMT 37, 39, 41, 77, 79, 81)	975	495933	Bowl-Float
117	●	Jet-Main (See Previous Page)			Note	975A	694908	Bowl-Float
125		Carburetor (Walbro) (See Previous Page)			231983 Jet-Pilot (LMT 136)	987	●691326	Seal-Throttle Shaft
						987A	●690998	Seal-Throttle Shaft
						1091	691333	Cap-Limiter

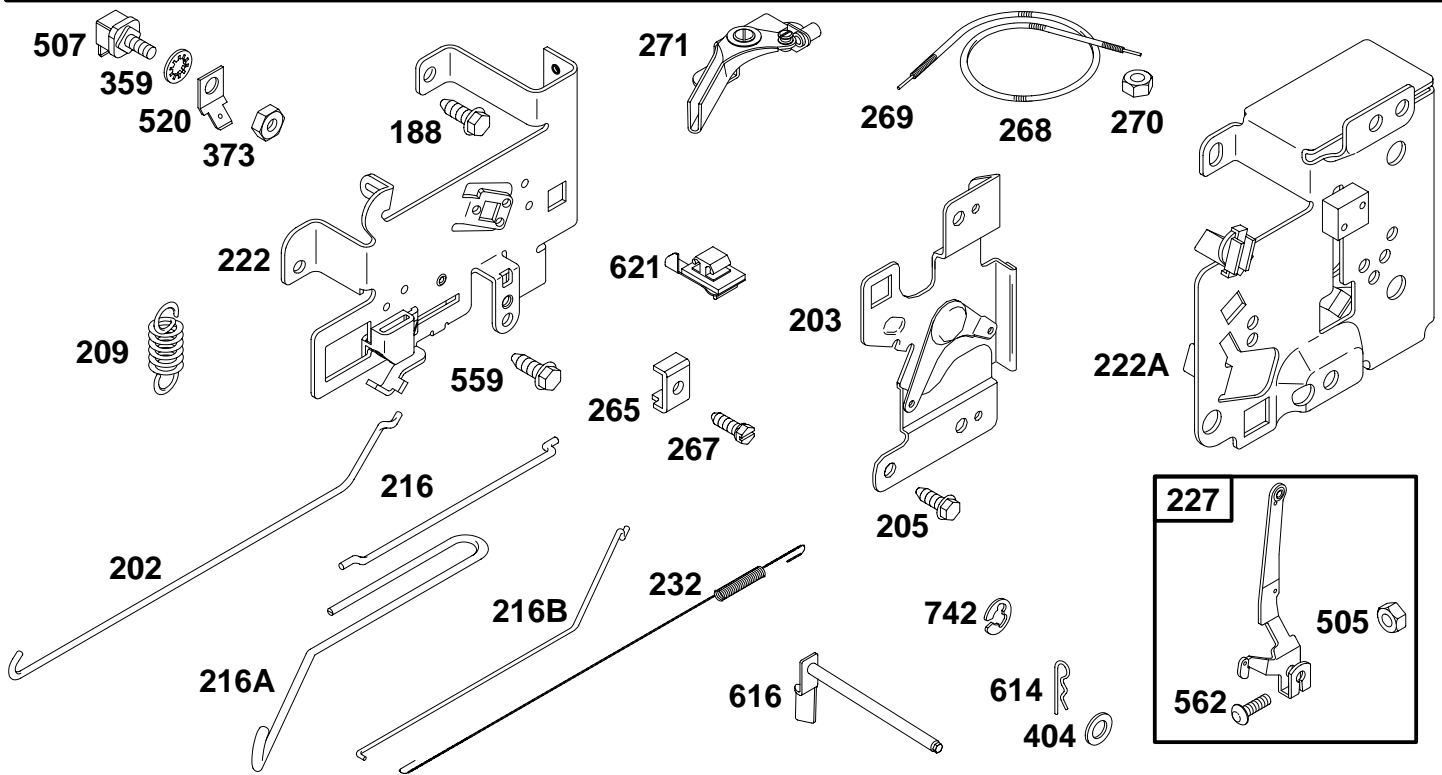
★ Included in Engine Gasket Set-Ref 358.

● Included in Carburetor Overhaul Kit-Ref 121 & 121A

♦ Included in Carburetor Gasket Set-Ref 977.

⊗ Included in Valve Gasket Set-Ref 1095 & 1095A

28M700 to 28M799



REF. NO.	PART NO.	DESCRIPTION	REF. NO.	PART NO.	DESCRIPTION	REF. NO.	PART NO.	DESCRIPTION	
188	94929	Screw (Control Bracket)		691278	Spring— Governor	268	65616	Casing—Control Wire (Cut To Required Length)	
202	262767	Link—Mechanical Governor			Used on Type No(s). 0115, 0125, 0129, 0130, 0138, 0147, 0179, 0615, 0660, 1129, 1130, 1138, 1160, 1179, 1184, 1185, 1189, 1190.	269	26633	Wire—Control (Cut To Required Length)	
203	691381	Crank—Bell		216	691281	Link—Choke	270	63426	Nut (Control Wire Casing)
205	94929	Screw (Bell Crank)		216A	262766	Link—Choke	271	290568	Lever—Control
209	260871	Spring—Governor		216B	690574	Link—Choke Used on Type No(s). 0128.	359	691077	Washer (Ground Terminal)
		Note		222	694042	Bracket—Control (Used After Code Date 99010700).	373	90576	Nut (Ground Terminal)
	260695	Spring— Governor Used on Type No(s). 0114, 0148, 1148, 1150, 1193.				Note	404	94927	Washer (Governor Crank)
	261126	Spring— Governor Used on Type No(s). 0113, 0118, 1113, 1166, 1183.		222A	494041	Bracket—Control	505	691251	Nut (Governor Control Lever)
	261306	Spring— Governor Used on Type No(s). 0029, 0112, 0124, 0126, 0132, 0140, 0180, 0529, 0647, 1029, 1031, 1039, 1040, 1124, 1132, 1147, 1148, 1162, 1166, 1180, 1186.		227	691374	Lever—Governor Control	507	398525	Insulator
				232	262785	Spring—Governor Link	520	691084	Terminal—Ground
				265	221535	Clamp—Casing	559	94896	Screw (Remote Choke Stop)
				267	94906	Screw (Casing Clamp)	562	691119	Bolt (Governor Control Lever)
							614	93306	Pin—Cotter
							616	495157	Crank—Governor
							621	396847	Switch—Stop
							742	93307	Retainer—E Ring

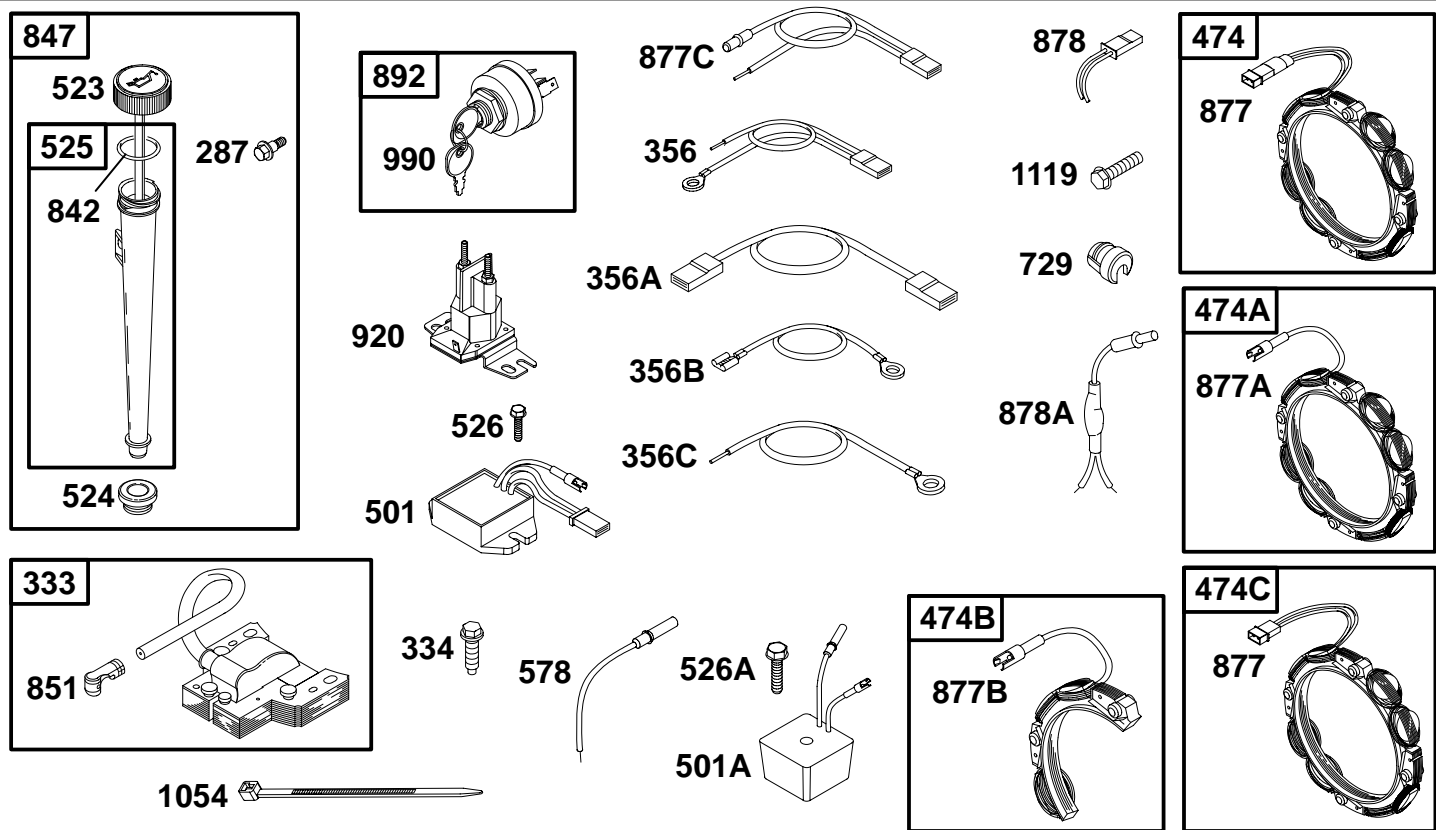
★ Included in Engine Gasket Set—Ref 358.

● Included in Carburetor Overhaul Kit—Ref 121 & 121A

◆ Included in Carburetor Gasket Set—Ref 977.

⊙ Included in Valve Gasket Set—Ref 1095 & 1095A

28M700 to 28M799



REF. NO.	PART NO.	DESCRIPTION	REF. NO.	PART NO.	DESCRIPTION	REF. NO.	PART NO.	DESCRIPTION
287	94903	Screw (Dipstick Tube) Note	523	495230	Dipstick	847	496415	Dipstick/Tube Assembly
		691143 Screw (Dipstick Tube) Used on Type No(s). 0647, 1147.			Note 495229 Dipstick Used on Type No(s). 0126, 0132, 1148, 1162, 1166. 692992 Dipstick Used on Type No(s). 0647, 1147.			Note 496367 Dipstick/Tube Assembly Used on Type No(s). 0126, 0132, 1148, 1162, 1166.
333	492341	Armature-Magneto	524	★281370	Seal-Dipstick Tube	851	493880	Terminal-Sparkplug
334	94731	Screw (Magneto Armature)	525	691398	Tube-Dipstick	877	393456	Wire/Connector-Alternator
356	398808	Wire-Stop			Note 690841 Tube-Dipstick Used on Type No(s). 0126, 0132, 1162. 691476 Tube-Dipstick Used on Type No(s). 0647, 1147.	877A	393537	Wire/Connector-Alternator
356A	690799	Wire-Stop	526	94786	Screw (Regulator)	877B	393814	Wire/Connector-Alternator
356B	399223	Wire-Stop	526A	691202	Screw (Regulator)	877C	399916	Wire/Connector-Alternator
356C	399222	Wire-Stop	578	393422	Wire Assembly	878	393362	Harness-Alternator
474	393474	Alternator	729	690596	Clip-Wire	878A	392606	Harness-Alternator
474A	392595	Alternator	842	★270920	O-Ring Seal	892	493625	Switch-Key
474B	391529	Alternator				920	807829	Solenoid-Starter
474C	393295	Alternator				990	392832	Key Set
501	394890	Regulator				1054	280275	Tie-Cable
501A	491546	Regulator				1119	93621	Screw (Alternator)

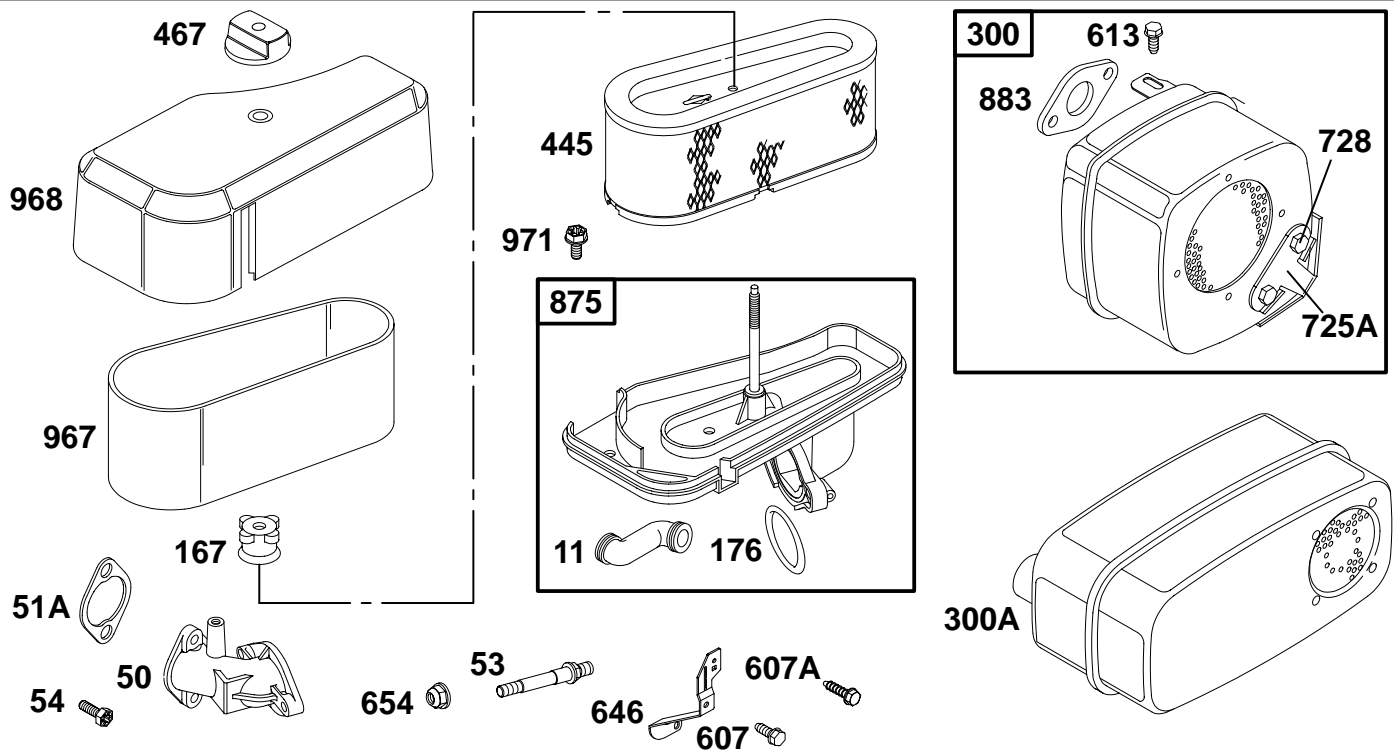
★ Included in Engine Gasket Set-Ref 358.

● Included in Carburetor Overhaul Kit-Ref 121 & 121A

◆ Included in Carburetor Gasket Set-Ref 977.

⊘ Included in Valve Gasket Set-Ref 1095 & 1095A

28M700 to 28M799



REF. NO.	PART NO.	DESCRIPTION	REF. NO.	PART NO.	DESCRIPTION	REF. NO.	PART NO.	DESCRIPTION
11	280100	Tube-Breather	613	94786	Screw (Exhaust Muffler)			494237 Base-Air Cleaner (Use With Walbro Carburetor) (Used Before Code Date 98091400).
50	213819	Manifold-Intake	646	690460	Brace-Air Cleaner	883	Ø*272293	Gasket-Exhaust
51A	Ø*272554	Gasket-Intake	654	94010	Nut (Carburetor)	967	272403	Filter-Pre Cleaner
53	691098	Stud (Carburetor)	676	397630	Deflector-Muffler	968	691332	Cover-Air Cleaner
54	94913	Screw (Intake Manifold)	676A	393761	Deflector-Muffler	Note		
167	281051	Seal-Air Cleaner Nut	676B	396903	Deflector-Muffler	281104 Cover-Air Cleaner Used on Type No(s). 0112, 0113, 0128, 0133, 0529, 0647, 1031, 1149, 1166, 1189.		
176	Ø*281106	O-Ring Seal (Air Cleaner Base)	677	94896	Screw (Muffler Deflector)			
300	491413	Muffler	725A	690420	Shield-Heat	971	692126	Screw (Air Cleaner Base)
300A	498984	Muffler	728	93927	Screw (Heat Shield)	994	392390	Arrestor-Spark
346	94896	Screw (Spark Arrestor)	875	694942	Base-Air Cleaner (Use With Nikki Carburetor)			
445	496894	Filter-Air Cleaner Cartridge	Note					
467	493903	Knob-Air Cleaner	693676 Base-Air Cleaner (Use With Walbro Carburetor) (Used After Code Date 98091300).					
607	691693	Screw (Air Cleaner Brace)						
607A	690703	Screw (Air Cleaner Brace)						

★ Included in Engine Gasket Set-Ref 358.

● Included in Carburetor Overhaul Kit-Ref 121 & 121A

◆ Included in Carburetor Gasket Set-Ref 977.

Ø Included in Valve Gasket Set-Ref 1095 & 1095A

