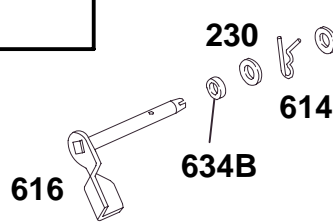
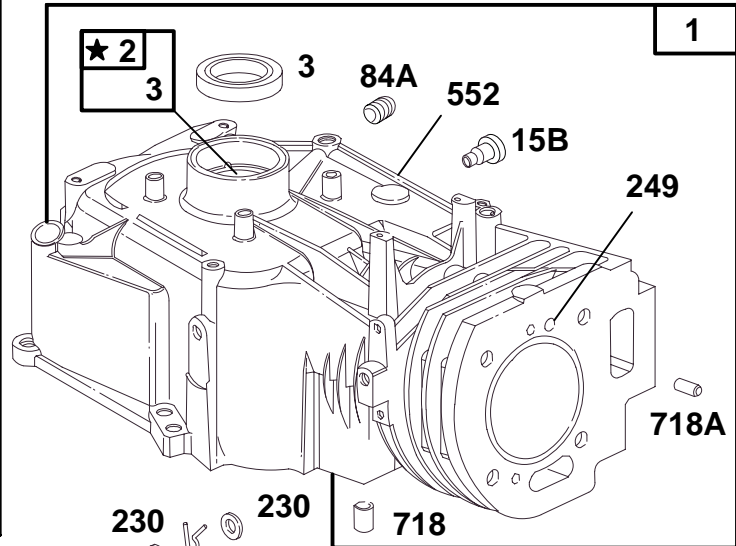
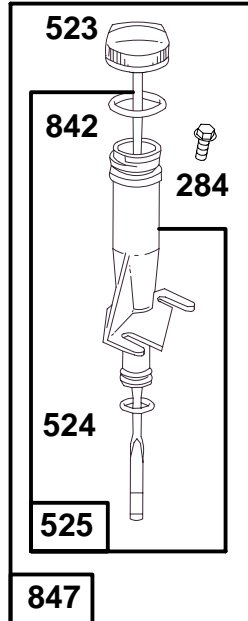
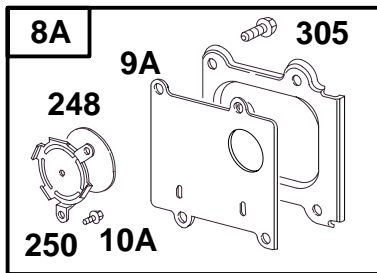
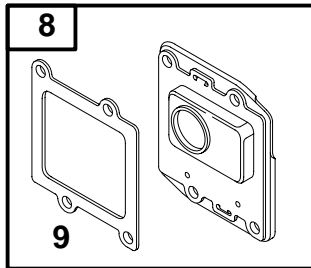


260700 to 260799
261700 to 261799



1019 LABEL KIT

★ **REQUIRES SPECIAL TOOLS TO INSTALL. SEE REPAIR INSTRUCTION MANUAL.**

1058 OWNER'S MANUAL

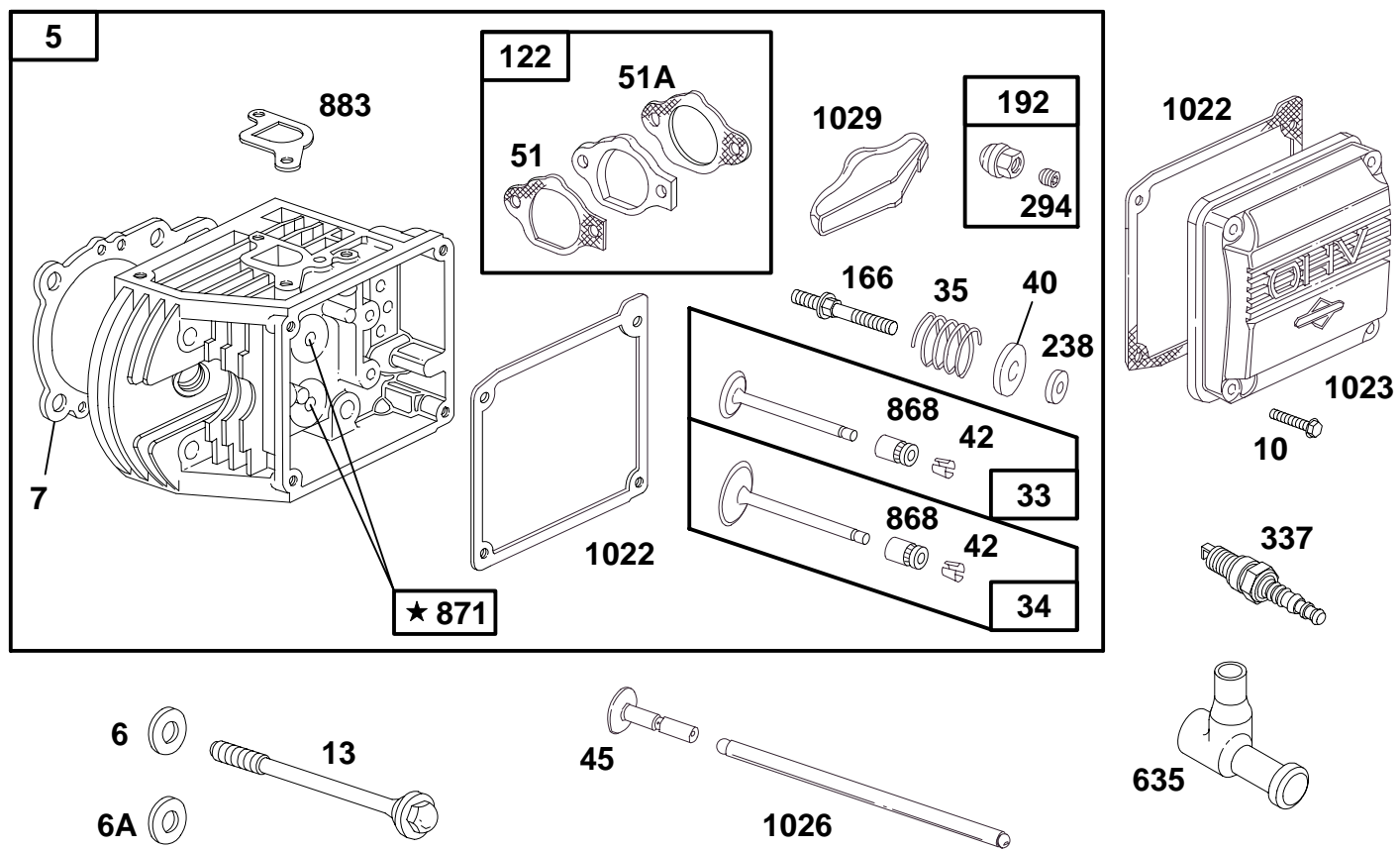
REF. NO.	PART NO.	DESCRIPTION	REF. NO.	PART NO.	DESCRIPTION	REF. NO.	PART NO.	DESCRIPTION
1	495259	Cylinder Assembly (Used After Code Date 91120800).	9A	★272120	Gasket-Breather (Used Before Code Date 91120900).	305	810037	Screw-Hex. Hd.
		Note	10A	810057	Screw-Breather Retainer (Used Before Code Date 91120900).	523	491794	Cap-Oil Fill
		492034 Cylinder Assy. (Used Before Code Date 91120900).	15B	260022	Plug-Oil Drain	524	★280860	Seal-Fill Tube
2	492036	Bushing	84A	94379	Plug-Pipe	525	492398	Tube-Oil Fill
3	★491019	Seal-Oil	230	94423	Washer-Gov. Crank	552	231592	Bushing-Gov. Crank
8	495247	Breather Assy. (Used After Code Date 91120800).	248	66504	Disc-Valve (Used Before Code Date 91120900).	614	94424	Pin-Cotter
8A	492180	Breather Assy. (Used Before Code Date 91120900).	249	491388	Valve-Pressure Relief	616	491874	Crank-Governor
9	★272553	Gasket-Breather (Used After Code Date 91120800).	250	223966	Retainer-Breather (Used Before Code Date 91120900).	634B	★491880	Seal-Oil
			284	94505	Screw-Hex. Hd.	718	231589	Pin-Cylinder
						718A	230192	Pin-Cylinder
						842	★270920	Seal-Oil Fill
						847	493232	Tube Assy.- Oil Fill
						1019	495134	Label Kit
						1058	272155	Owner's Manual

★ Included in Gasket Set-See Ref. No. 358.

△ Included in Valve Overhaul Kit-Part No. 495769.

● Included in Carburetor Kit-Part No. 492282.

◆ Included in Carburetor Gasket Set-Part No. 492281.



REF. NO.	PART NO.	DESCRIPTION	REF. NO.	PART NO.	DESCRIPTION	REF. NO.	PART NO.	DESCRIPTION
5	492154	Head-Cylinder	42	492231	Retainer-Valve Rotocoil	871	262378	Bushing-Valve Guide (Exhaust or Intake)
6	94340	Washer-Cylinder Head	45	262875	Tappet-Valve	883	Δ★272123	Gasket-Exhaust
6A	★492063	Washer-Cylinder Head	51	Δ★272121	Gasket-Intake	1022	Δ★272010	Gasket-Rocker Cover
7	Δ★272126	Gasket-Cylinder Head	51A	Δ★272028	Gasket-Carburetor	1023	213303	Cover-Rocker
10	810050	Screw-Valve Cover	122	Δ491784	Adapter-Carb.	1026	491695	Pushrod-Exhaust
13	94335	Screw-Cylinder Head	166	94342	Stud-Rocker Arm			Note
33	492117	Valve-Exhaust	192	491511	Nut-Hex.			492229 Pushrod-Intake
34	492116	Valve-Intake	238	262499	Cap-Valve	1029	223928	Arm-Rocker
35	262501	Spring-Valve	294	810045	Screw-Set			
40	262381	Retainer-Intake Valve	337	491055	Plug-Spark			
			635	280897	Boot-Spark Plug			
			868	Δ★491020	Seal-Valve Stem			

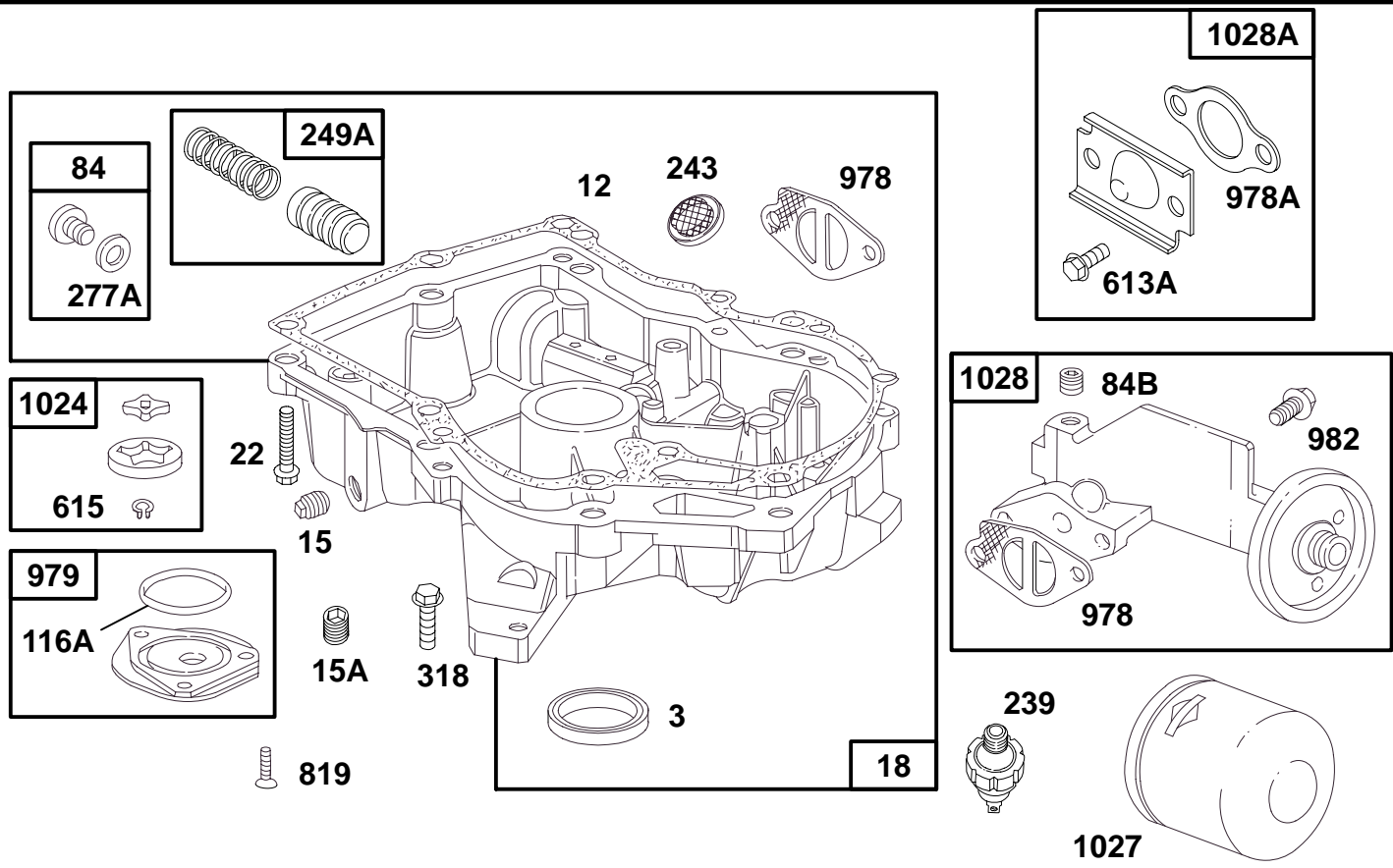
★ Included in Gasket Set-See Ref. No. 358.

◆ Included in Carburetor Gasket Set-Part No. 492281.

Δ Included in Valve Overhaul Kit-Part No. 495769.

● Included in Carburetor Kit-Part No. 492282.

260700 to 260799
261700 to 261799



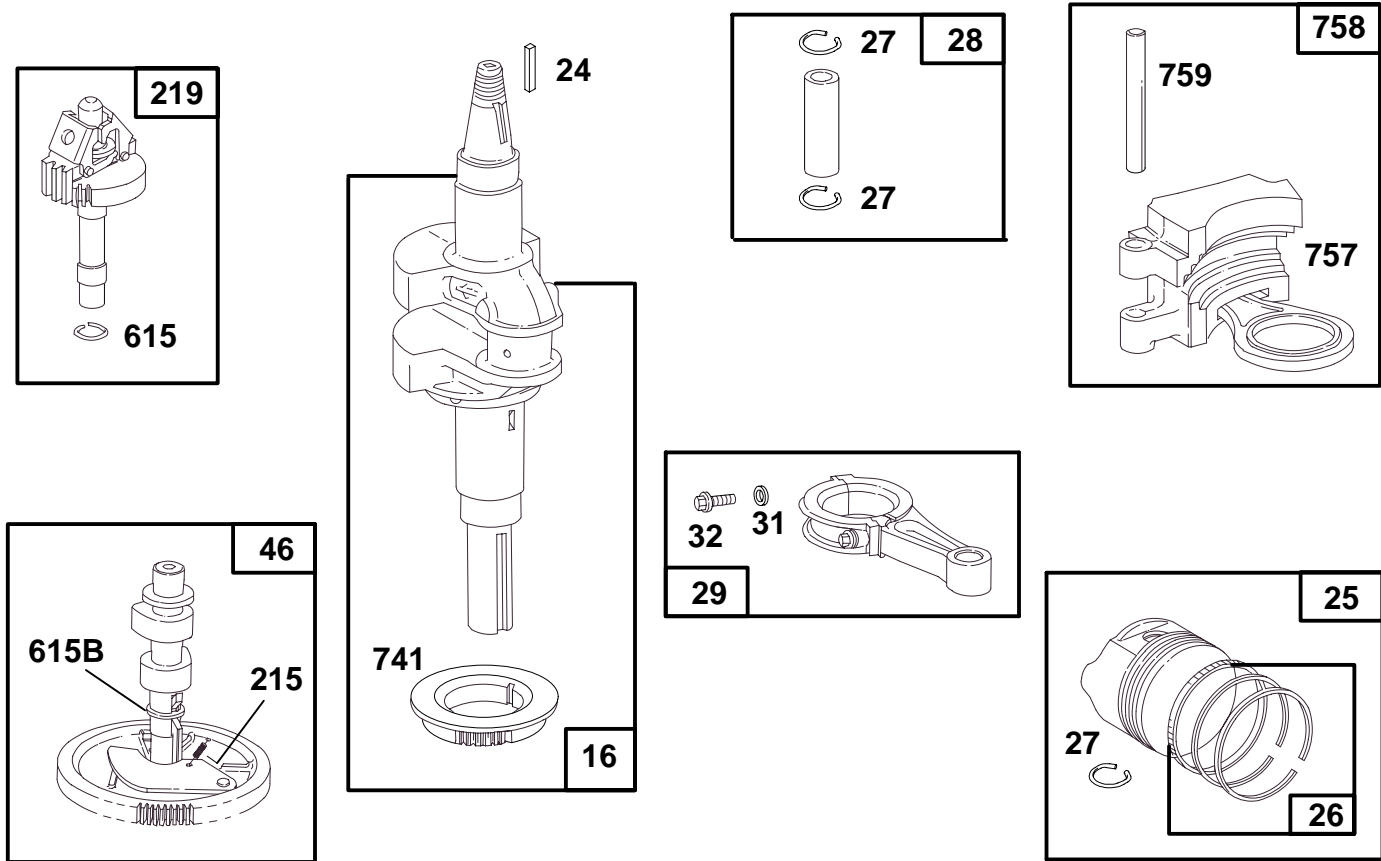
REF. NO.	PART NO.	DESCRIPTION	REF. NO.	PART NO.	DESCRIPTION	REF. NO.	PART NO.	DESCRIPTION
3	★491019	Seal-Oil	249A	492198	Valve-Pressure Relief	1027	491056	Filter-Oil
12	★272124	Gasket-Crankcase (.015" Thick)	277A	94398	Washer-Relief Plug			Note
15	94239	Plug-Oil Drain (Hex. Hd.)	318	94563	Screw-Engine Mtg.			492932 Filter-Oil
15A	93418	Plug-Oil Drain (Hex. Socket)	613A	810099	Screw-Cover Mtg.			Used on Model Series
18	492203	Base-Engine	615	94400	Ring-Retaining			261700
22	810081	Screw-Sem	819	94337	Screw-Pump Cover			Type No(s).
84	492199	Plug-Pipe	978	★272122	Gasket-Oil Filter Adapter			0126, 0130, 0144, 0145.
84B	94497	Plug-Pipe	978A	272025	Gasket-Adaptor	1028	492251	Adapter-Oil Filter
116A	★280801	O-Ring	979	492197	Cover-Oil Pump			Note
239	493989	Switch-Oil Pressure	982	810100	Screw-Oil Filter Adapter			492929 Adapter- Oil Filter
243	491722	Screen-Oil Pump	1024	492196	Oil Pump Assembly			Used on Model Series
								261700
								Type No(s).
								0022, 0120, 0121, 0126, 0130, 0144, 0145.
						1028A	493621	By-Pass-Oil Filter

★ Included in Gasket Set-See Ref. No. 358.

△ Included in Valve Overhaul Kit-Part No. 495769.

● Included in Carburetor Kit-Part No. 492282.

◆ Included in Carburetor Gasket Set-Part No. 492281.



REF. NO.	PART NO.	DESCRIPTION	REF. NO.	PART NO.	DESCRIPTION	REF. NO.	PART NO.	DESCRIPTION
16	493921	Crankshaft Note For Timing Gear Key— Order Part No. 94196 .				215	262848	Spring—Release (Used After Code Date 91120800). Note 262506 Spring— Release (Used Before Code Date 91120900).
24	222698	Key—Flywheel	27	262457	Lock—Piston Pin	219	492195	Gear—Governor
25	492110	Piston Assy. (Standard)	28	492112	Pin—Piston	615	94400	Ring—Retaining
	492933	Piston Assy. (.010" O.S.)	29	492113	Rod—Connecting 493048 Rod—Conn. (.020" Undersize)	615B		Ring—Retaining See Last Pages.
	492934	Piston Assy. (.020" O.S.)	31	94465	Washer—Conn. Rod	741	262370	Gear—Timing
	492935	Piston Assy. (.030" O.S.)	32	94327	Screw—Conn. Rod	757	493912	Link—Counterweight Note Includes Link Pin & Retaining Ring.
26	492111	Ring Set (Standard)	46	494925	Gear—Cam (Used After Code Date 91120800). Note 495257 Gear—Cam (Used Before Code Date 91120900).	758	492187	Counterweight Ass'y.
	492936	Ring Set (.010" Oversize)				759	231608	Pin—Counterweight

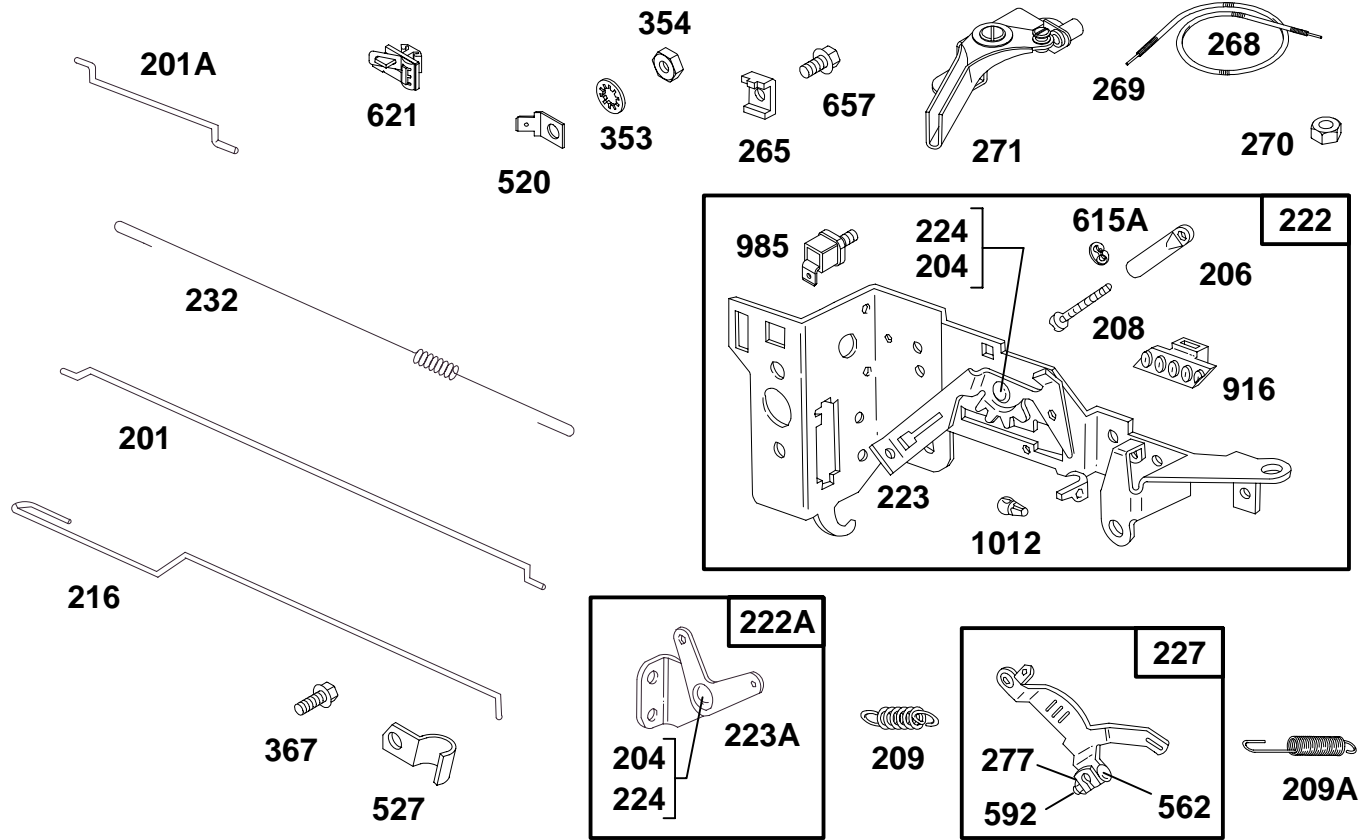
★ Included in Gasket Set—See Ref. No. 358.

△ Included in Valve Overhaul Kit—Part No. 495769.

● Included in Carburetor Kit—Part No. 492282.

◆ Included in Carburetor Gasket Set—Part No. 492281.

260700 to 260799 261700 to 261799



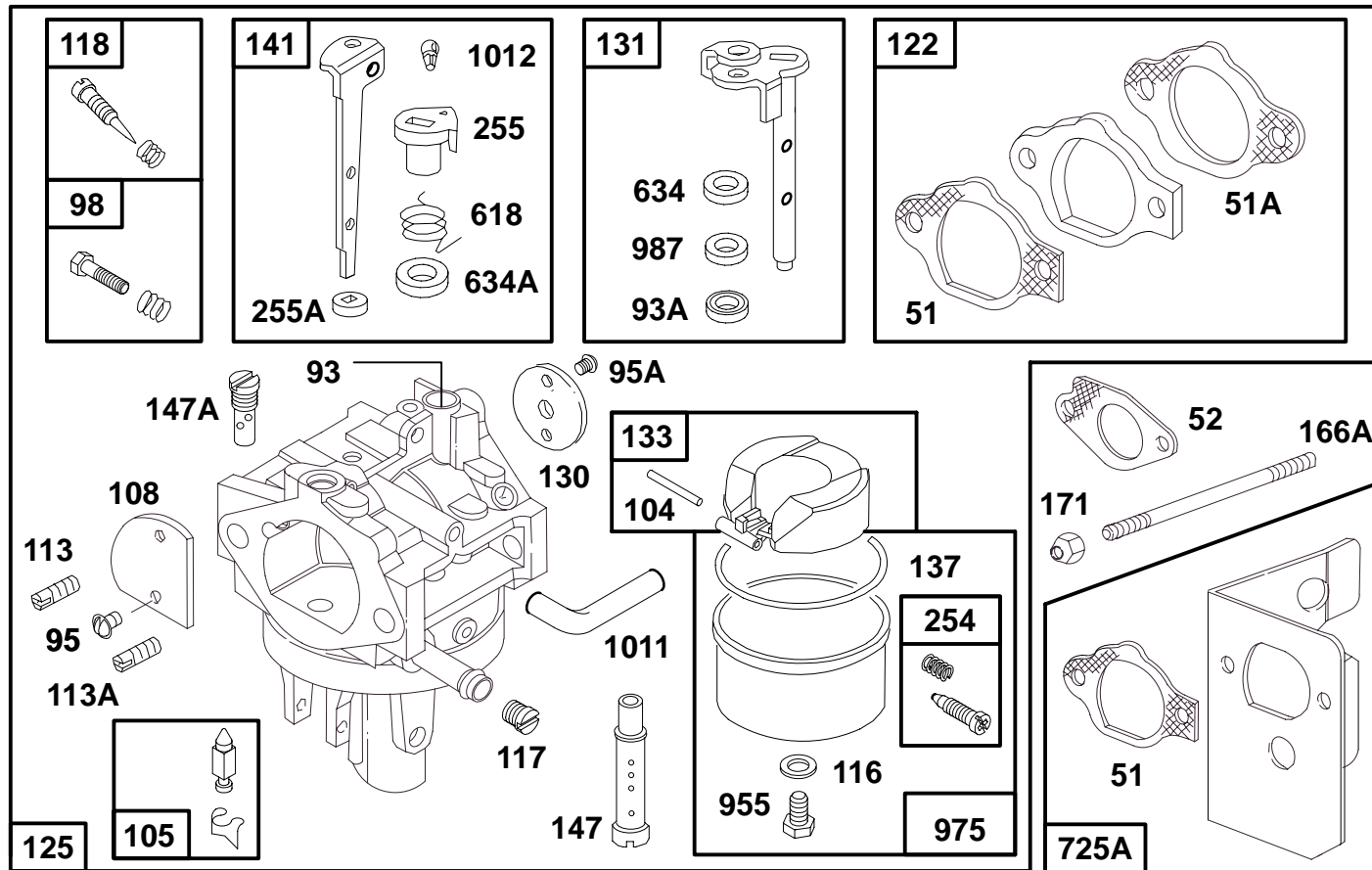
REF. NO.	PART NO.	DESCRIPTION	REF. NO.	PART NO.	DESCRIPTION	REF. NO.	PART NO.	DESCRIPTION
201	262495	Link	227	491057	Lever Assy.—Gov.	270	63426	Locknut—Casing
201A	262536	Link	232	262500	Spring—Link	271	290568	Lever—Control
204	222962	Bushing—Control Lever	265	221535	Clamp—Casing	277	810017	Washer—Gov. Lever
206	280847	Adjuster—Control Rod	268	65616	Casing—Wire (72" Long)	353	92791	Lockwasher
208	94393	Screw—Control Rod			Note	354	90576	Nut—Hex.
209		Spring—Governor			If Longer Casing is Required, Specify Length In Inches; If Shorter Casing is Needed Order and Cut To Required Length.	367	810036	Screw—Bracket
209A	262504	Spring—Idler	269	26633	Wire—Control (78" Long)	520	93722	Terminal
		Note			Note	527	221428	Clamp—Tube
		262747 Spring—Idler Used on Model Series 261700 Type No(s). 0124, 0130.			If Longer Wire is Required, Specify Length in Inches; If Shorter Wire is Needed Order and Cut to Required Length.	562	810072	Bolt—Gov. Lever
216	262494	Link—Choke				592	810011	Nut—Gov. Lever
222	491757	Bracket—Control				615A	94392	Ring—Retaining
222A		Bracket—Control				621		Switch—Stop
		Note						See Last Pages.
223	223940	Lever—Gov. Control				657	94443	Screw—Casing Clamp
223A	492001	Lever—Gov. Control				916	280321	Gear—Rack
224	93491	Rivet—Gov. Control				985	398525	Insulator
						1012	280869	Retainer—Link

★ Included in Gasket Set—See Ref. No. 358.

△ Included in Valve Overhaul Kit—Part No. 495769.

● Included in Carburetor Kit—Part No. 492282.

◆ Included in Carburetor Gasket Set—Part No. 492281.



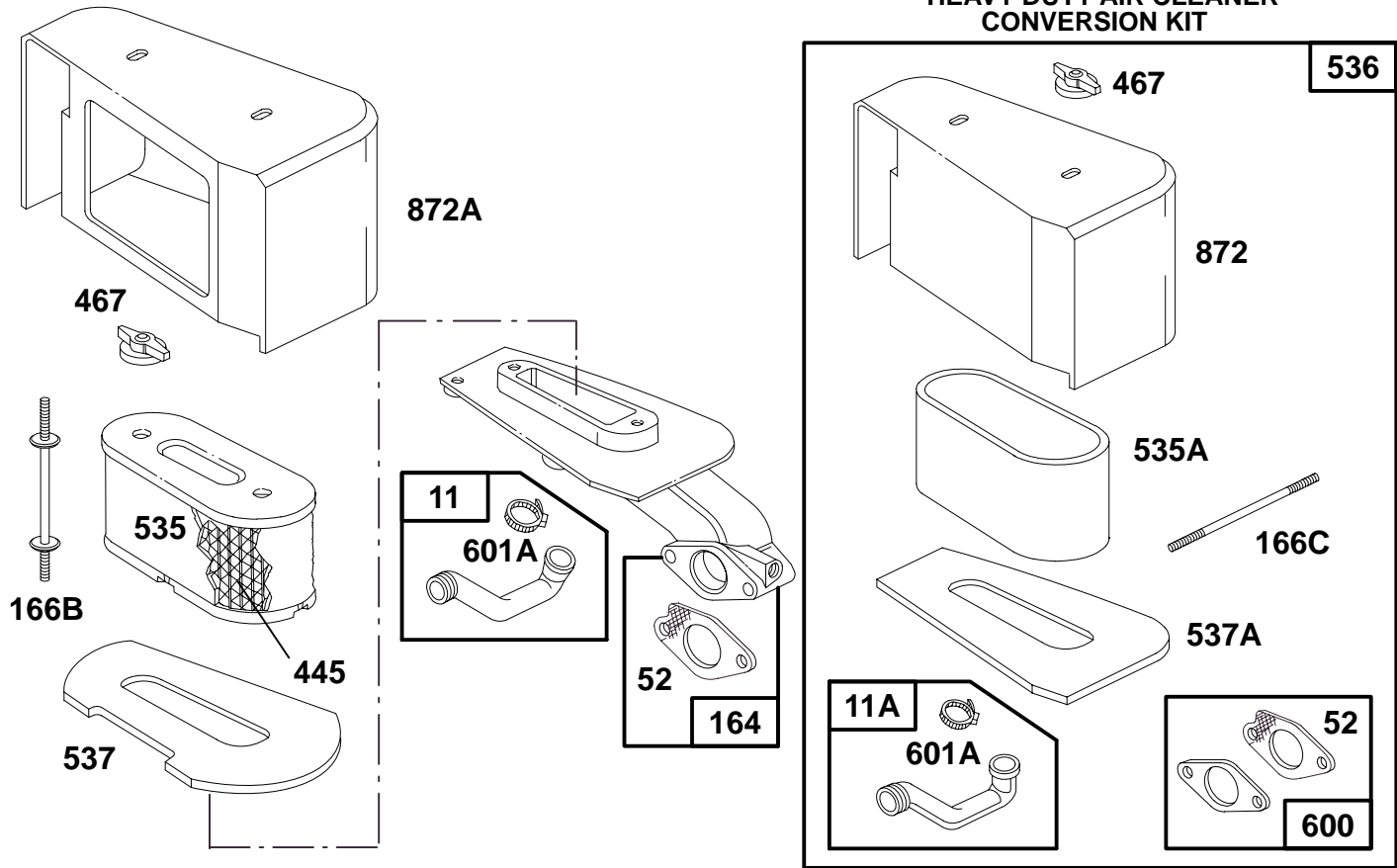
REF. NO.	PART NO.	DESCRIPTION	REF. NO.	PART NO.	DESCRIPTION	REF. NO.	PART NO.	DESCRIPTION
51	Δ*272121	Gasket-Intake		231669	Jet-Main (High Altitude)	255	◆280916	Retainer-Choke Shaft (Upper)
51A	Δ*272028	Gasket-Carburetor				255A	◆280910	Retainer-Choke Shaft (Lower)
52	*272029	Gasket-Carburetor	118	◆492277	Valve Assy.-Carb. Idle	618	262563	Spring-Choke Shaft Seal-Throttle Shaft (Sold In Kit Only)
93	◆280926	Bushing-Throttle Shaft (Upper)	122	Δ491784	Adapter Assy.-Carb. Carburetor	634	◆◆	Seal-Throttle Shaft (Sold In Kit Only)
93A	◆280931	Bushing-Throttle Shaft (Lower)	125		See Last Pages.	634A	◆◆	Seal-Choke Shaft (Sold In Kit Only)
95	94457	Screw-Choke Valve	130	224224	Valve-Throttle	725A	491983	Shield-Heat
95A	94466	Screw-Throttle Valve	131	492278	Shaft-Throttle	955	94460	Screw-Bowl Mtg.
98	492276	Screw & Spring Assy.-Idle Speed	133	492283	Float-Carb.	975	492272	Bowl-Float
104	◆231652	Pin-Float Hinge	137	◆◆	Gasket-Float Bowl (Sold In Kit Only)	987	◆◆492172	Seal-Throttle Shaft
105	◆492188	Valve-Inlet Needle	141	492279	Shaft-Choke	1011	281001	Tube-Bowl Vent
108	224223	Valve-Choke	147		See Last Pages.			Note
113	◆231697	Nozzle-Carburetor	147A		See Last Pages.			281096 Tube-Vent Used on Model Series 261700 Type No(s). 0126.
113A	◆231696	Nozzle-Carburetor	166A	94333	Stud-Carburetor (For Specials See Ref. 166C).	1012	280869	Retainer-Link
116	◆◆	Gasket-Sealing (Sold In Kit Only)	171	810056	Nut-Carburetor Stud			
117	◆	Jet-Main (Sold In Kit Only)	254	492274	Drain-Carburetor Bowl			

* Included in Gasket Set-See Ref. No. 358.
 Δ Included in Valve Overhaul Kit-Part No. 495769.
 ◆ Included in Carburetor Kit-Part No. 492282.

◆◆ Included in Carburetor Gasket Set-Part No. 492281.

260700 to 260799
261700 to 261799

**HEAVY DUTY AIR CLEANER
 CONVERSION KIT**



REF. NO.	PART NO.	DESCRIPTION	REF. NO.	PART NO.	DESCRIPTION	REF. NO.	PART NO.	DESCRIPTION
11	492422	Tube-Breather			Type No(s).	600	494517	Spacer-Carburetor
11A		Tube-Breather			0021, 0022, 0023,			(For Heavy Duty Air
		See Last Pages.			0148, 0149, 0150,			Cleaner)
52	★272029	Gasket-Carb Mounting			0151.			Used on Model Series
164	491876	Manifold-Intake	536	494555	Cleaner-Air			260700
166B	262471	Stud-Air Cleaner			(For Conversion to			Type No(s).
166C		Stud-Carburetor			Heavy Duty Air			0125,
		See Last Pages.			Cleaner)			and on Model Series
445	491021	Filter-Air Cleaner	537	272031	Gasket-Air Cleaner			261700
467	491875	Knob	537A	272469	Gasket-Air Cleaner			Type No(s).
535	492947	Filter-Air Cleaner			(For Heavy Duty Air			0021, 0022, 0023,
535A	272444	Filter-Air Cleaner			Cleaner)			0148, 0149, 0150,
		(For Heavy Duty Air			Used on Model Series			0151.
		Cleaner)			260700			
		Used on Model Series			Type No(s).	601A	94487	Clamp-Breather Tube
		260700			0125,	872	280975	Cover-Air Cleaner
		Type No(s).			and on Model Series	872A		Cover-Air Cleaner
		0125,			261700			See Last Pages.
		and on Model Series			Type No(s).			
		261700			0021, 0022, 0023,			
					0148, 0149, 0150,			
					0151.			

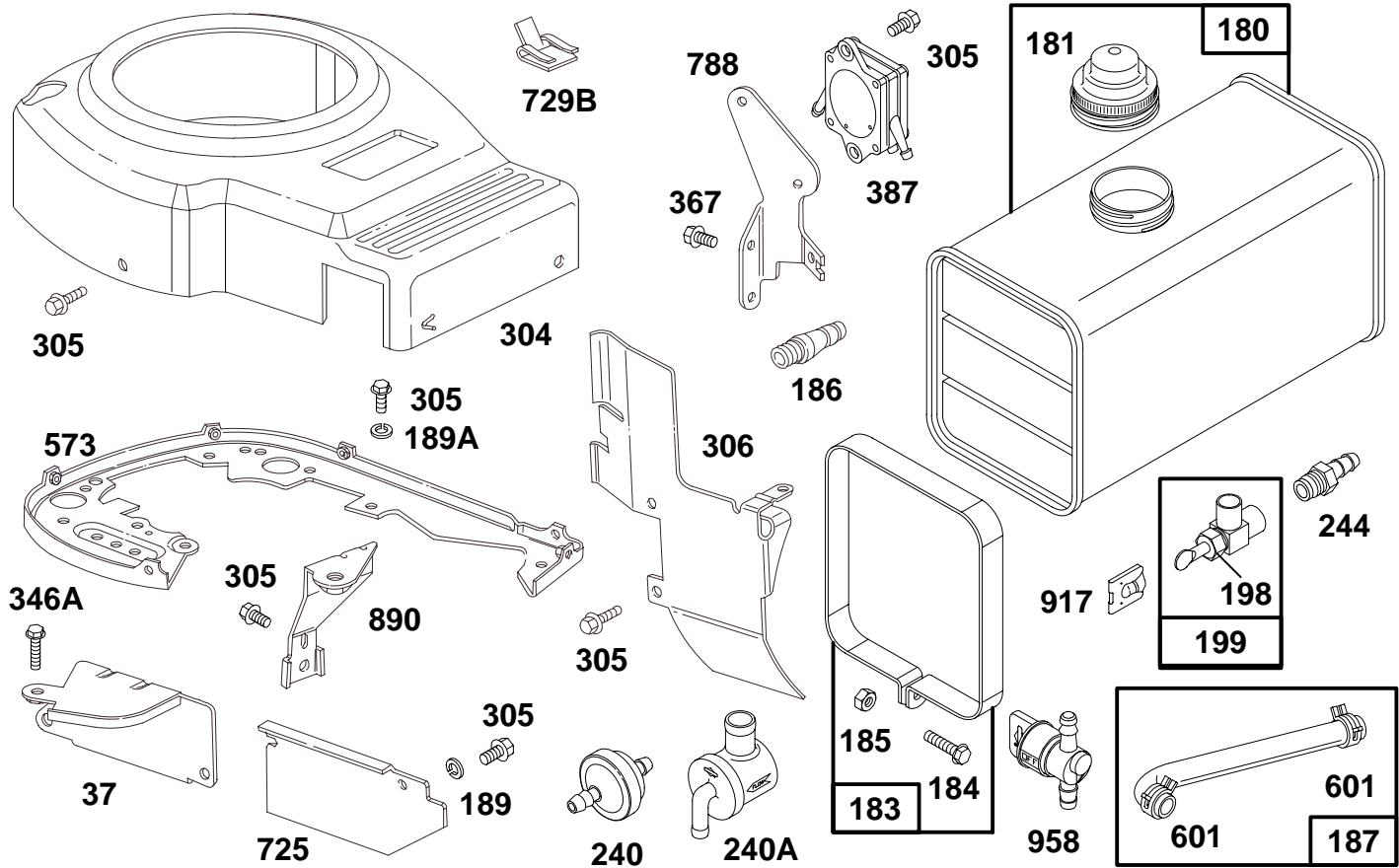
★ Included in Gasket Set-See Ref. No. 358.

△ Included in Valve Overhaul Kit-Part No. 495769.

● Included in Carburetor Kit-Part No. 492282.

◆ Included in Carburetor Gasket Set-Part No. 492281.

**260700 to 260799
261700 to 261799**



REF. NO.	PART NO.	DESCRIPTION	REF. NO.	PART NO.	DESCRIPTION	REF. NO.	PART NO.	DESCRIPTION
37	492000	Guard-Flywheel	304	224238	Housing-Blower (Red)	305	810037	Screw-Hex. Hd.
180	292415	Tank-Fuel			(Electric Start Only)	306	223944	Shield-Cylinder
181	392305	Cap-Fuel Tank			224239 Housing-Blower (Black)	346A	810039	Screw-Muffler Bracket
183	291490	Strap-Fuel Tank			491924 Housing-Blower (Red)	367	810036	Screw-Bracket
184	91257	Screw-Machine			(Rewind Start)	387	491922	Pump-Fuel
185	90970	Nut-Square			492244 Housing-Blower (Black)	573	491926	Plate-Back
186	230318	Connector-Fuel			(Rewind Start-Except as Noted Below)	601	93807	Clamp-Hose (Black)
187	393815	Hose-Fuel (11-1/4" Long, Cut to Required Length).			493616 Housing-Blower (Black)			Note 93053 Clamp-Hose (Green)
		Note 296004 Hose-Fuel (23" Long, Cut to Required Length).			Used on Model Series 261700 Type No(s). 0124, 0130.	725	223943	Shield-Heat
189	810093	Lockwasher				729B	224356	Clip-Debris
189A	810091	Lockwasher-Backplate				788	224148	Bracket-Fuel Pump
198	293934	Valve-Shut-Off				890	492017	Bracket-Support
199	297563	Outlet-Fuel Tank				917	223271	Handle-Fuel Shut-Off Valve
240		Filter-Fuel				958	494768	Valve-Shut-Off
240A	494581	Filter-Fuel						
244	230318	Connector-Fuel Pipe						

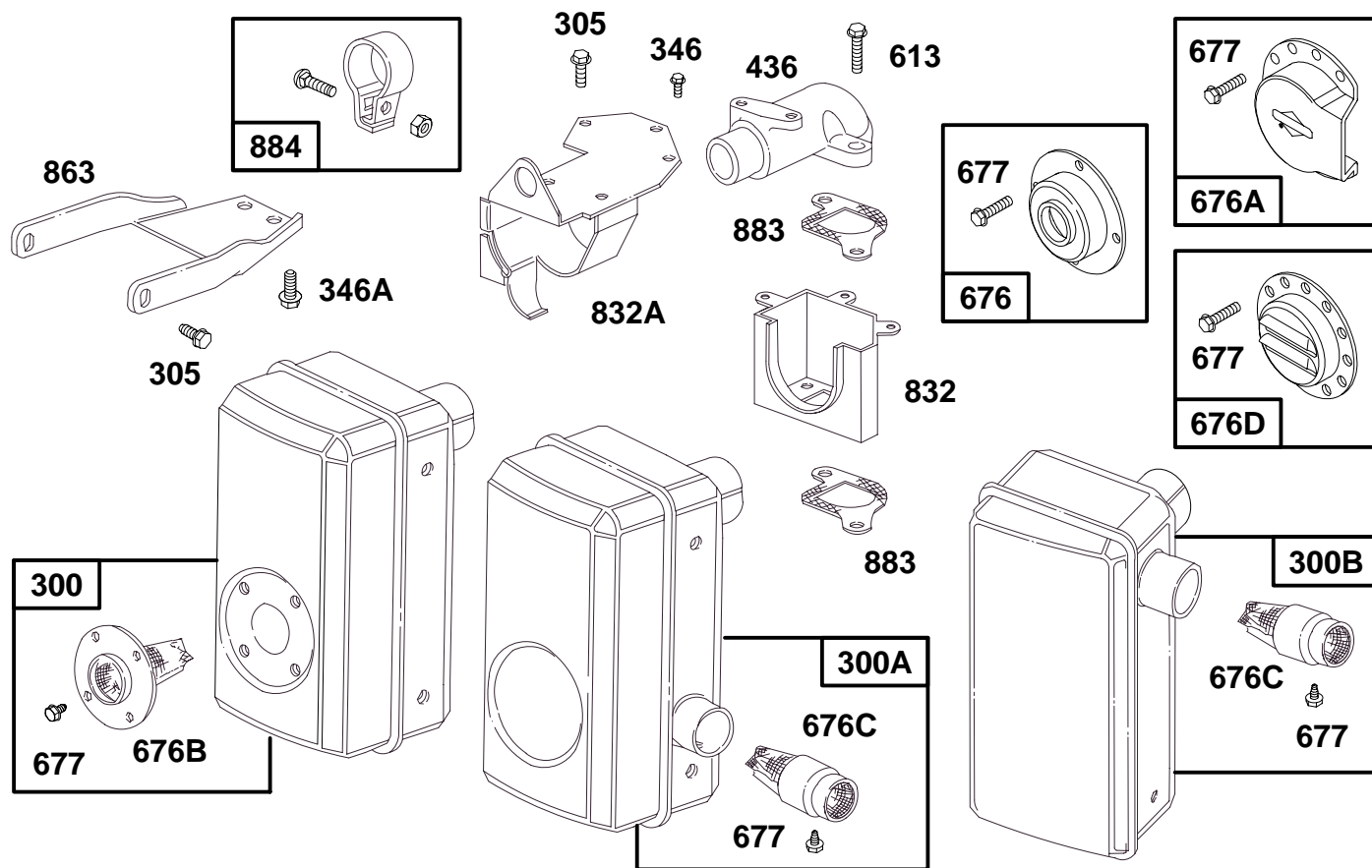
★ Included in Gasket Set-See Ref. No. 358.

◆ Included in Carburetor Gasket Set-Part No. 492281.

▲ Included in Valve Overhaul Kit-Part No. 495769.

● Included in Carburetor Kit-Part No. 492282.

260700 to 260799
261700 to 261799



REF. NO.	PART NO.	DESCRIPTION	REF. NO.	PART NO.	DESCRIPTION	REF. NO.	PART NO.	DESCRIPTION
300	493626	Muffler-Exhaust			Type No(s).	832A	491980	Cover-Exhaust Elbow
300A	491692	Muffler-Exhaust			0036, 0120, 0134,	863	223946	Bracket-Muffler
300B	491796	Muffler-Exhaust			0135, 0137, 0164.			Note
305	810037	Screw-Hex. Hd.	613	810041	Screw-Muffler Mtg.			224332 Bracket-Muffler
346	810079	Screw-Hex. Hd.	676	396903	Deflector-Muffler			Used on Model Series
346A	810039	Screw-Hex. Hd.	676A	393761	Deflector-Muffler			261700
436	213363	Elbow-Exhaust	676B	492577	Deflector-Muffler			Type No(s).
		Note	676C	492578	Deflector-Muffler			0036, 0120.
		213669 Elbow-Exhaust	676D	397630	Deflector-Muffler			
		Used on Model Series 261700	677	93705	Screw-Deflector			883 Δ 272123 Gasket-Exhaust
			832	224068	Guard-Exhaust Elbow			884 491655 Clamp-Muffler

★ Included in Gasket Set-See Ref. No. 358.

△ Included in Valve Overhaul Kit-Part No. 495769.

● Included in Carburetor Kit-Part No. 492282.

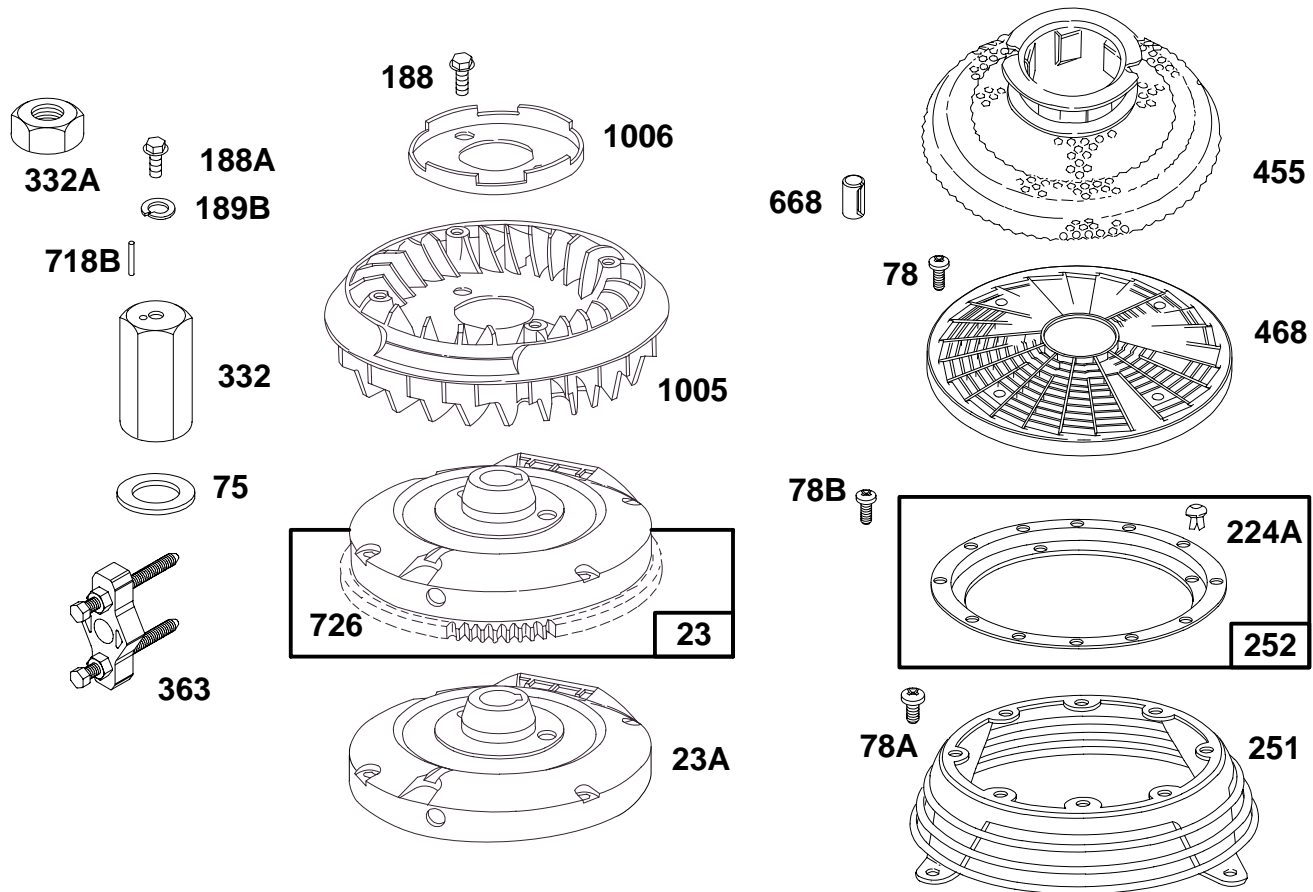
◆ Included in Carburetor Gasket Set-Part No. 492281.

9876-10

Assemblies include all parts shown in frames.

44

260700 to 260799
261700 to 261799



REF. NO.	PART NO.	DESCRIPTION	REF. NO.	PART NO.	DESCRIPTION	REF. NO.	PART NO.	DESCRIPTION
23	495165	Flywheel Note 495164 Flywheel Used on Model Series 260700 Type No(s). 0010, and on Model Series 261700 Type No(s). 0010, 0012, 0013, 0014, 0015, 0126, 0129, 0130, 0136, 0141, 0144, 0165.	23A	495166	Flywheel	252	492976	Adapter-Rotating Screen
			75	224079	Washer-Spring	332	231617	Nut-Flywheel
			78	94417	Screw-Rotating Screen	332A	810055	Nut-Flywheel
			78A	94485	Screw-Rewind Adapter	363	19203	Puller-Flywheel
			78B	94435	Screw-Support Ring	455	492303	Cup-Flywheel
			188	93659	Screw-Fan Mtg.	468	491793	Screen-Rotating
			188A	94477	Screw-Sem	668	94401	Spacer-Pulley
			189B	810092	Lockwasher-Hub	718B	280934	Pin-Rewind
			224A	280989	Rivet-Support Ring	726	492230	Gear-Ring (Includes Mtg. Parts)
			251	491938	Adapter-Rewind Starter	1005	491792	Fan-Flywheel
						1006	223726	Retainer-Fan

★ Included in Gasket Set-See Ref. No. 358.

◆ Included in Carburetor Gasket Set-Part No. 492281.

△ Included in Valve Overhaul Kit-Part No. 495769.

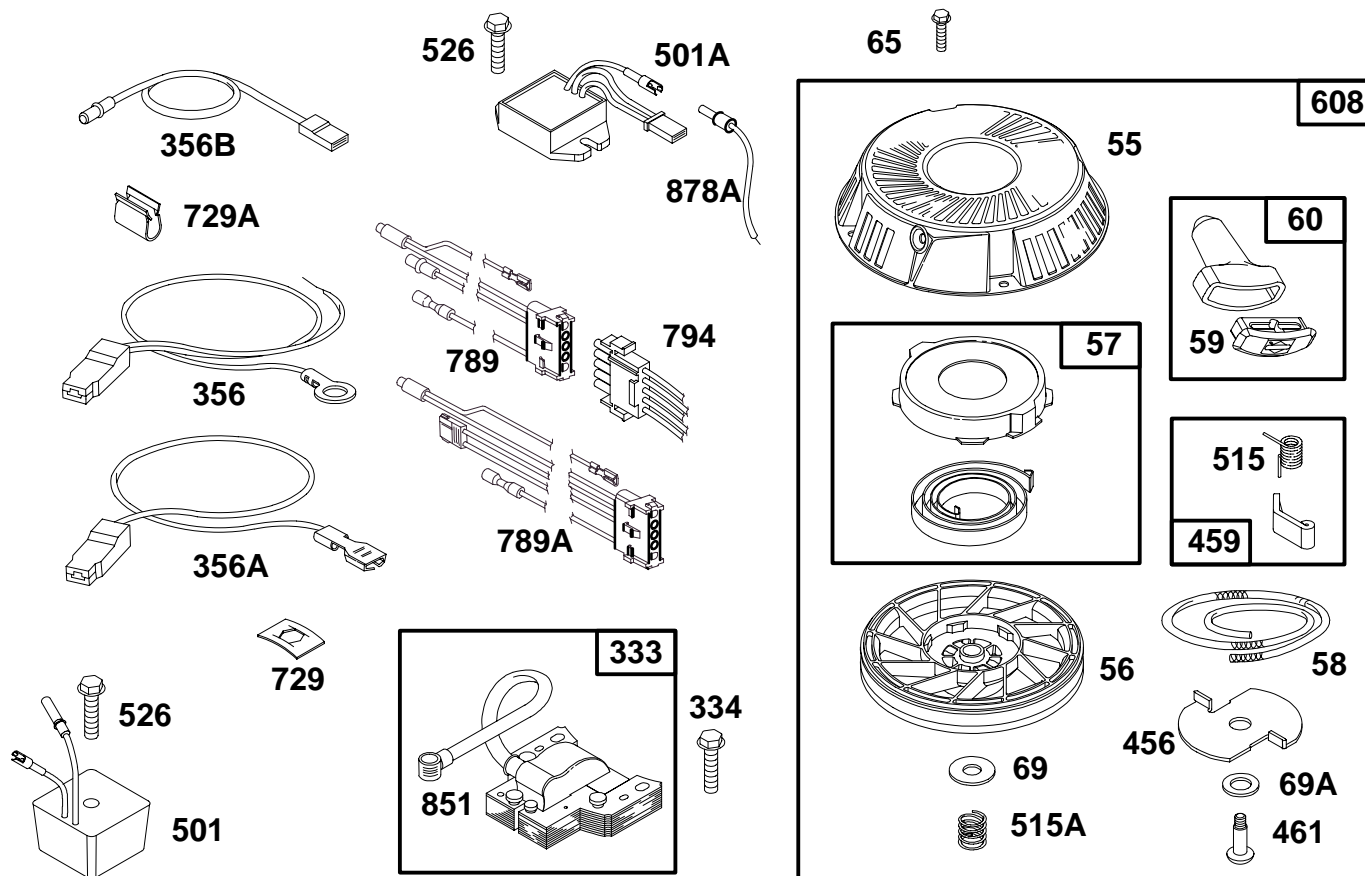
● Included in Carburetor Kit-Part No. 492282.

9876-11

Assemblies include all parts shown in frames.

44

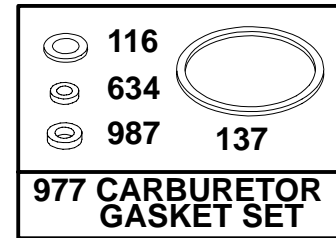
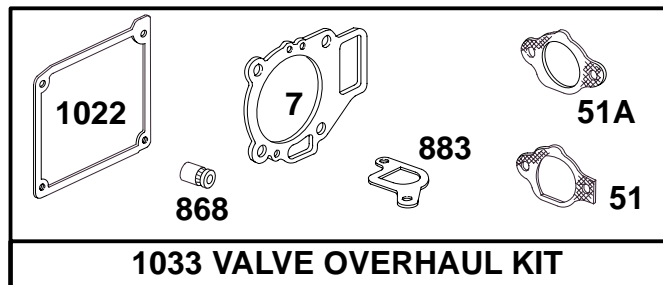
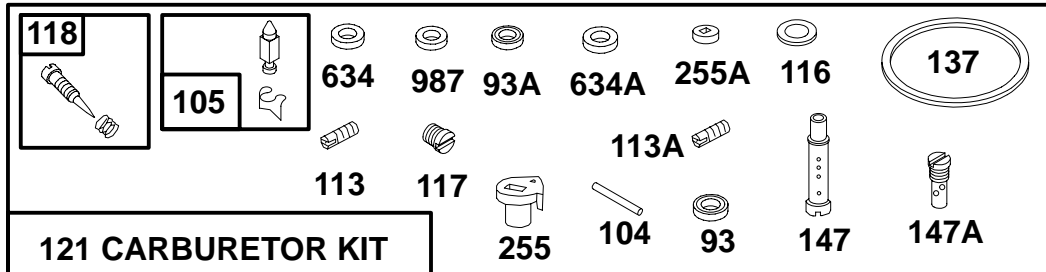
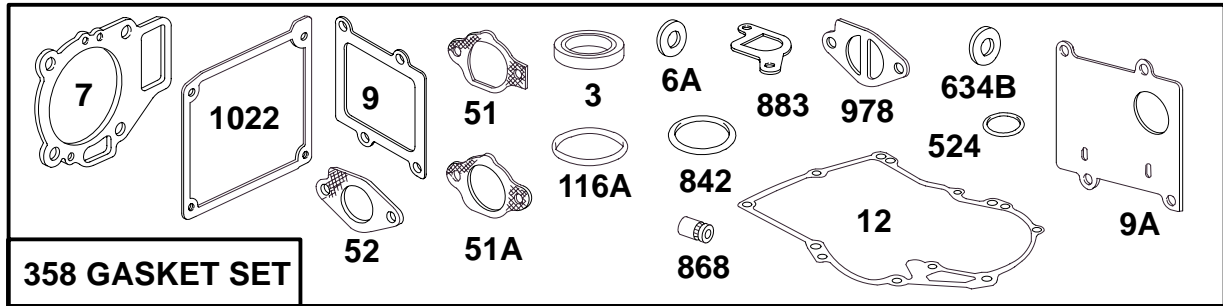
260700 to 260799
261700 to 261799



REF. NO.	PART NO.	DESCRIPTION	REF. NO.	PART NO.	DESCRIPTION	REF. NO.	PART NO.	DESCRIPTION
55	492193	Housing-Rewind Starter	69	94464	Washer-Pulley	608	494926	Starter-Rewind (Used After Code Date 91120800).
56	281235	Pulley-Starter (Used After Code Date 91120800).	69A	94462	Washer-Retainer			Note
		Note	333	492341	Armature-Magneto			494573 Starter-Rewind (Used Before Code Date 91120900).
		494956 Pulley-Starter (Used Before Code Date 91120900).	334	810035	Screw-Sem	729	262617	Clip-Wire
57	492194	Spring-Rewind Starter	356	398808	Wire-Stop	729A	262616	Clip-Wire
58	66894	Rope-Starter (Cut To Suit)	356A	491927	Wire-Stop	789	491780	Harness-Wiring
59	490653	Insert-Starter Handle	356B	494705	Wire-Stop	789A	492049	Harness-Wiring
60	490652	Handle-Rewind Starter	456	224228	Retainer-Spring	794	491884	Harness-Wiring
65	810074	Screw-Hex. Hd.	459	492431	Pawl-Ratchet	851	221798	Terminal-Cable
			461	94463	Screw-Retainer	878A	393422	Harness-Alternator
			501	491546	Regulator			
			501A	394890	Regulator			
			515	262565	Spring-Dog			
			515A	262564	Spring-Torsion			
			526	810084	Screw-Regulator			

★ Included in Gasket Set-See Ref. No. 358.
 △ Included in Valve Overhaul Kit-Part No. 495769.
 ● Included in Carburetor Kit-Part No. 492282.

◆ Included in Carburetor Gasket Set-Part No. 492281.



REF. NO.	PART NO.	DESCRIPTION	REF. NO.	PART NO.	DESCRIPTION	REF. NO.	PART NO.	DESCRIPTION
3	★491019	Seal—Oil	113A	●231696	Nozzle—Carburetor	358		Gasket Set
6A	★492063	Washer—Cylinder Head	116	◆◆	Gasket—Sealing (Sold In Kit Only)			See Last Pages.
7	△★272126	Gasket—Cylinder Head	116A	★280801	O-Ring	524	★280860	Seal—Filler Tube
9	★272553	Gasket—Breather (Used After Code Date 91120800).	117	●	Jet—Main (Sold In Kit Only)	634	◆◆	Seal—Throttle Shaft (Sold In Kit Only)
9A	★272120	Gasket—Valve Cover (Used Before Code Date 91120900).	Note			634A	◆◆	Seal—Choke Shaft (Sold In Kit Only)
12	★272124	Gasket—Crankcase (.015" Thick)	231669		Jet—Main (High Altitude)	634B	★491880	Seal—Oil (Governor Crank)
51	△★272121	Gasket—Intake	118	●492277	Valve Assy.—Carb. Idle	842	★270920	Seal—Oil Filler Cap
51A	△★272028	Gasket—Carburetor	121	492282	Carburetor Kit	868	△★491020	Seal—Valve Stem
52	★272029	Gasket—Carb.	137	◆◆	Gasket—Carb. Bowl (Sold In Kit Only)	883	△★272123	Gasket—Exhaust
93	●280926	Bushing—Throttle Shaft (Upper)	147		Nozzle	977	492281	Gasket Set— Carburetor
93A	●280931	Bushing—Throttle Shaft (Lower)	147A		Nozzle	978	★272122	Gasket—Oil Filter Adapter
104	●231652	Pin—Float Hinge	See Last Pages.			987	◆◆492172	Seal—Throttle Shaft
105	●492188	Valve—Needle	255	●280916	Retainer—Choke Shaft (Upper)	1022	△★272010	Gasket—Rocker Arm Cover
113	●231697	Nozzle—Carburetor	255A	●280910	Retainer—Choke Shaft (Lower)	1033	495769	Overhaul Kit—Valve

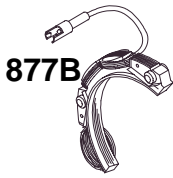


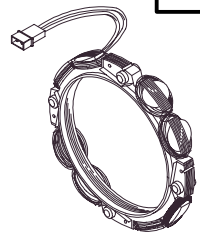
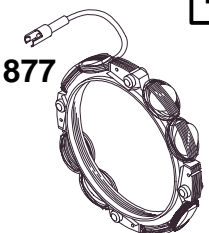
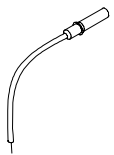
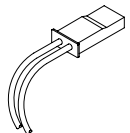
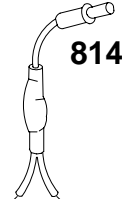
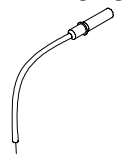
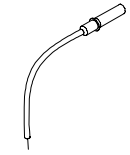
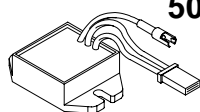
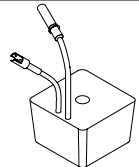
★ Included in Gasket Set—See Ref. No. 358.

△ Included in Valve Overhaul Kit—Part No. 495769.

● Included in Carburetor Kit—Part No. 492282.

◆◆ Included in Carburetor Gasket Set—Part No. 492281.

260700 to 260799
261700 to 261799

DC ONLY	DUAL CIRCUIT	TRI-CIRCUIT	16 AMP	9 AMP
 <p>877B</p>	 <p>877A</p>	 <p>877</p>	 <p>877</p>	 <p>877</p>
 <p>878A</p>	 <p>878</p>	 <p>814</p>	 <p>878A</p>	 <p>878A</p>
			 <p>501A</p>	 <p>501</p>

NOTE: ALL STATORS USE NO. 482 MOUNTING SCREW. 

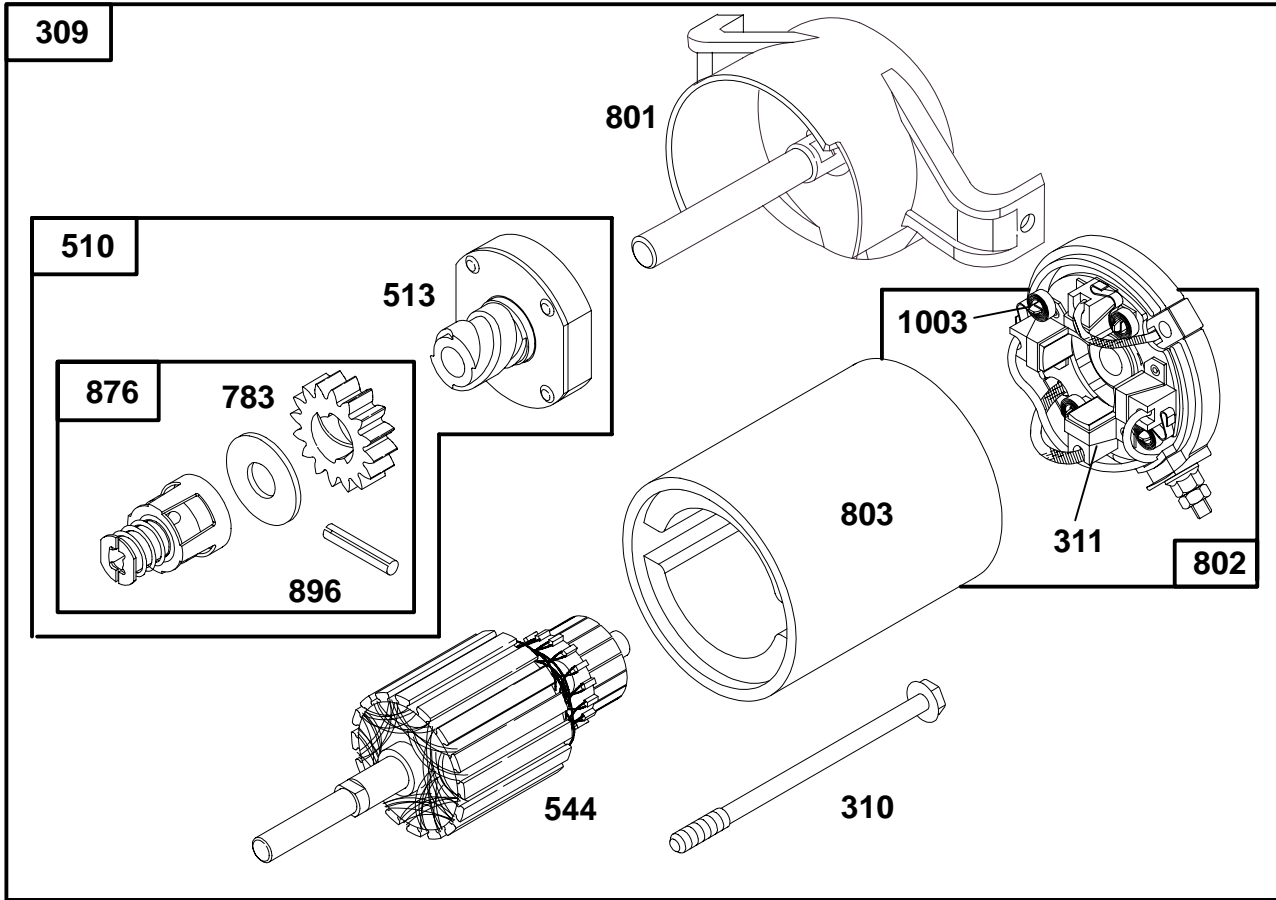
REF. NO.	PART NO.	DESCRIPTION	REF. NO.	PART NO.	DESCRIPTION	REF. NO.	PART NO.	DESCRIPTION
474	392595	Alternator	814	392606	Diode & Connector Assy.-Alternator	878	393362	Harness Assy.-Alternator
474A	393474	Alternator	877	393537	Connector Assy.	878A	393422	Harness Assy.-Alternator
474B	393295	Alternator	877A	393456	Connector Assy.	887	391529	Stator-Alternator
482	810071	Screw-Stator Mtg.	877B	393814	Connector Assy.			
501	491546	Regulator						
501A	394890	Regulator						

★ Included in Gasket Set-See Ref. No. 358.

◆ Included in Carburetor Gasket Set-Part No. 492281.

△ Included in Valve Overhaul Kit-Part No. 495769.

● Included in Carburetor Kit-Part No. 492282.



REF. NO.	PART NO.	DESCRIPTION	REF. NO.	PART NO.	DESCRIPTION	REF. NO.	PART NO.	DESCRIPTION
309	490753	Motor-Starting (12V) (4-9/16" Housing Length).	311	490311	Brush Set (For Housing Length 4-9/16" Long).			Note
		Note			Note			494988 End Cap Assy.-Commutator (For Housing Length 4-3/8" Long).
	495104	Motor-Starting (12V) (4-3/8" Housing Length).			Brushes Are Not Sold Separately on Motors With Housing Length 4-3/8" Long.	803	398892	Housing Assy. (For Housing Length 4-9/16" Long).
310	94169	Bolt-Thru (For Housing Length 4-9/16" Long).	510	491836	Drive-Starter			Note
		Note	513	398879	Clutch-Drive			494205 Housing Assy. (For Housing Length 4-3/8" Long).
	94004	Bolt-Thru (For Housing Length 4-3/8" Long).	544	492359	Armature Assy.	876	492360	Retainer and Pin Assy.
			728	810040	Screw-Starter Mount	896	94192	Pin-Roll
			729C	94668	Clamp-Wire	1003	490316	Spring-Brush
			783	280875	Gear			
			801	490754	End Cap Assy.			
			802	490310	End Cap Assy.-Commutator (For Housing Length 4-9/16" Long).			

★ Included in Gasket Set-See Ref. No. 358.

◆ Included in Carburetor Gasket Set-Part No. 492281.

△ Included in Valve Overhaul Kit-Part No. 495769.

● Included in Carburetor Kit-Part No. 492282.

260700 to 260799 261700 to 261799

REF. NO.	PART NO.	DESCRIPTION	REF. NO.	PART NO.	DESCRIPTION	REF. NO.	PART NO.	DESCRIPTION		
11A	494667	Tube–Breather (For Heavy Duty Air Cleaner). Used on Model Series 260700 Type No(s). 0125, and on Model Series 261700 Type No(s). 0021, 0022, 0023, 0148, 0149, 0150, 0151.								
125	492256	Carburetor ———— Note ——— 492915 Carburetor Used on Model Series 260700 Type No(s). 0010, 0020, 0026, 0116, 0117, 0119, 0120, 0123, and on Model Series 261700 Type No(s). 0010, 0011, 0013, 0014, 0020, 0021, 0026, 0029, 0033, 0036, 0121, 0123, 0125, 0127, 0129, 0134, 0137, 0138, 0141, 0142, 0143, 0144, 0150, 0151, 0155, 0156, 0157, 0159, 0163.								
147	●231719	Nozzle (Used After Code Date 89051700). ———— Note ——— 231657 Nozzle (Used Before Code Date 89051800). ———— Note ———	147A	●231659	Jet–Pilot	222A	492002	Bracket–Control Use(s): 262536 Link–Governor ———— Note ——— 492003 Bracket– Governor Control Use(s): 262536 Link–Governor Used on Model Series 260700 Type No(s). 0118, 0125, and on Model Series 261700 Type No(s). 0131.		
			166C	94617	Stud–Carburetor (For Heavy Duty Air Cleaner). Used on Model Series 260700 Type No(s). 0125, and on Model Series 261700 Type No(s). 0021, 0022, 0023, 0148, 0149, 0150, 0151.	240	298090	Filter–Fuel ———— Note ——— 394358 Filter–Fuel Used on Model Series 260700 Type No(s). 0010, 0020, 0026, 0110, 0116, 0117, 0119, 0123, and on Model Series 261700 Type No(s). 0010, 0011, 0014, 0016, 0020, 0021, 0026, 0029, 0033, 0036, 0125, 0126, 0127, 0128, 0129, 0133, 0134, 0135, 0137, 0138, 0141, 0142, 0143, 0144, 0148, 0153, 0155, 0156, 0157, 0159, 0163, 0164, 394358 Filter–Fuel Used on Model Series 260700 Type No(s). 0120, and on Model Series 261700 Type No(s). 0013, 0022, 0023, 0026, 0120, 0121, 0122, 0123, 0128, 0133, 0150, 0151.		
			209	262604	Spring–Governor ———— Note ——— 262605 Spring–Gov. Used on Model Series 260700 Type No(s). 0116, and on Model Series 261700 Type No(s). 0126, 0135, 0137. 262607 Spring–Gov. Used on Model Series 260700 Type No(s). 0047, 0117, 0118, 0120, 0123, 0125, and on Model Series 261700 Type No(s). 0016, 0022, 0023, 0120, 0121, 0122, 0123, 0125, 0127, 0128, 0131, 0132, 0133, 0134, 0135, 0138, 0142, 0143, 0148, 0149, 0150, 0151, 0155, 0156, 0163. 262748 Spring–Gov. Used on Model Series 261700 Type No(s). 0124, 0130.					

★ Included in Gasket Set–See Ref. No. 358.

△ Included in Valve Overhaul Kit–Part No. 495769.

● Included in Carburetor Kit–Part No. 492282.

◆ Included in Carburetor Gasket Set–Part No. 492281.

260700 to 260799
261700 to 261799

REF. NO.	PART NO.	DESCRIPTION	REF. NO.	PART NO.	DESCRIPTION	REF. NO.	PART NO.	DESCRIPTION
358	495260	Gasket Set (Used After Code Date 91120800). ———— Note ——— 492271 Gasket Set (Used Before Code Date 91120900).	621	396847	94399 Ring–Retaining (Used Before Code Date 91031800). Switch–Stop ———— Note ——— 280979 Switch–Stop Used on Model Series 260700 Type No(s). 0110, 0111, 0112, 0116, 0117, 0119, and on Model Series 261700 Type No(s). 0110, 0111, 0112, 0120, 0121, 0124, 0125, 0127, 0128, 0130, 0134, 0135,	872A	281147	0137, 0144, 0145, 0148, 0153, 0156, 0157, 0158, 0159, 0163, 0164, 0165 Cover–Air Cleaner (For Heavy Duty Air Cleaner). Used on Model Series 260700 Type No(s). 0125, and on Model Series 261700 Type No(s). 0021, 0022, 0023, 0148, 0149, 0150, 0151.
615B	94697	Ring–Retaining (Compression Release) (Used After Code Date 91120800). ———— Note ——— 94653 Ring–Retainer (Used Before Code Date 91120900 and After Code Date 91031700).						

★ Included in Gasket Set–See Ref. No. 358.

△ Included in Valve Overhaul Kit–Part No. 495769.

● Included in Carburetor Kit–Part No. 492282.

◆ Included in Carburetor Gasket Set–Part No. 492281.