

195400 to 195499

Illustrated Parts List Model Series 195400 to 195499

TYPE NUMBERS
1001 through 1009,
1013, 1017, 1022,
1023, 1024, 1026,
1035, 1038, 1039,
1041, 1042, 1047,
1048, 1049, 1070,
1073, 1090, 1091,
1100, 1104, 1110,
1111,
1113 through 1134,
1136 through 1143,
1145 through 1169,
1214.

TO FIND

THE CORRECT NUMBER OF THE PART YOU NEED: FOLLOW THE INSTRUCTIONS BELOW

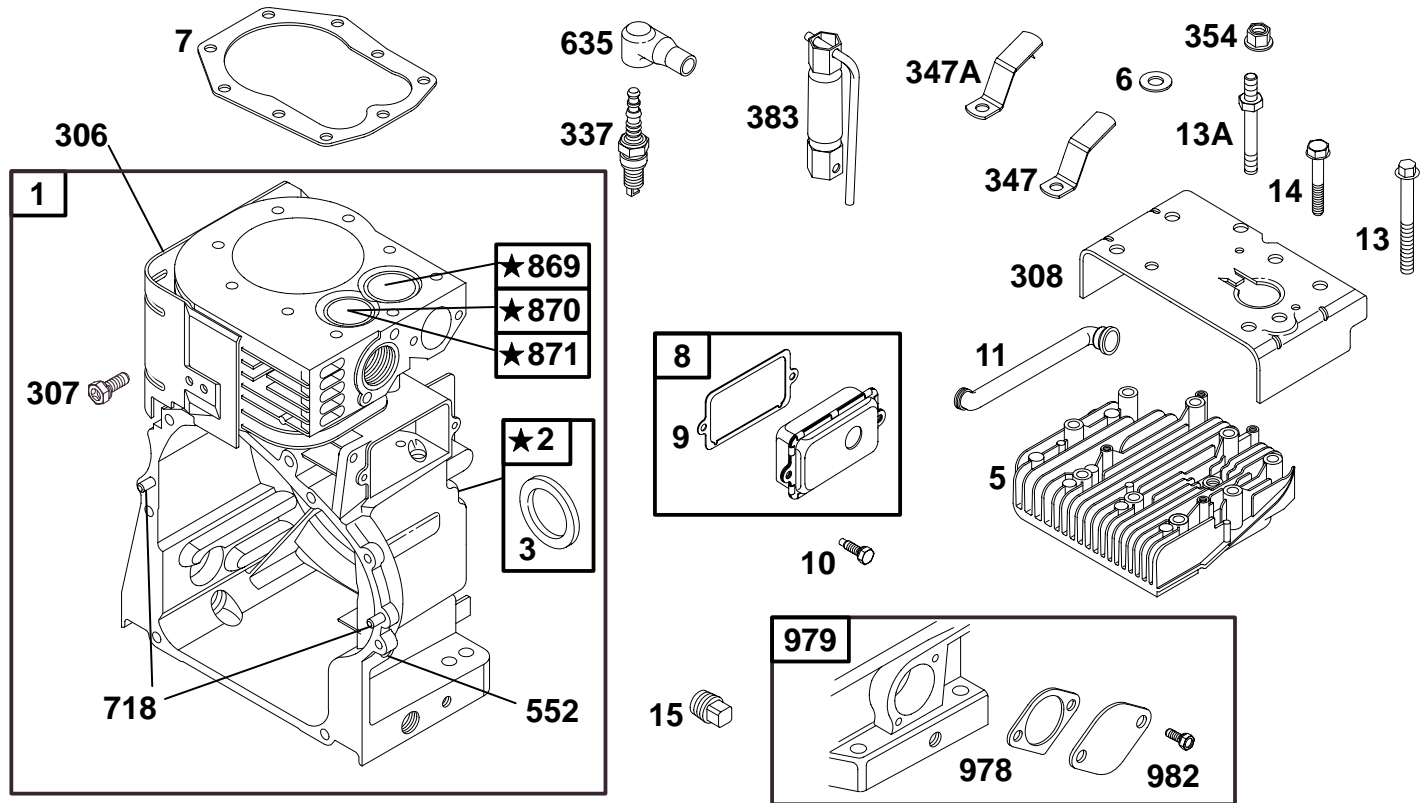
- A. Refer to Engine Model, Type and Code Number that is stamped on the blower housing of engine. Engine type numbers such as 0123 01 are listed only as 0123 in most instances. The two digits (01 or 02, etc.) to the right of the space may be required for more accurate parts identification in some instances. Select the Illustrated Parts List covering the correct Model Series and Type Number.
- B. Refer to the Illustrations and compare the original part with Illustration. The number next to the illustration is the Reference Number. Assemblies include all parts shown in frames. All parts shown in assembly frames having individual reference numbers can be purchased separately.
- C. After the Reference Number has been identified, refer to the Numerical text, where Reference and Primary Part Number are listed. **THE PRIMARY PART IS USED ON ALL TYPE NUMBERS EXCEPT THOSE TYPE NUMBERS UNDER "NOTE."**
- D. If a "Note" appears below the Primary Part Number, it means that this part differs from the Primary Part for certain types. If your Type number is listed under "Note," order the part referred to at the "Note."
- E. If your Engine Type Number does not appear after any part number listed under "Note," use the Primary Part Number.
- F. For Engine Type Numbers not covered by this book, check other Parts Lists having the same engine model or contact your source of supply.

PRINTED IN U.S.A.



COPYRIGHT by BRIGGS & STRATTON CORPORATION
All rights reserved. No part of this material may be reproduced or transmitted, in any form or by any means, electronic or mechanical, including photocopying, recording or by any information storage and retrieval system, without permission in writing from Briggs & Stratton Corporation.

195400 to 195499



1058 OWNER'S MANUAL

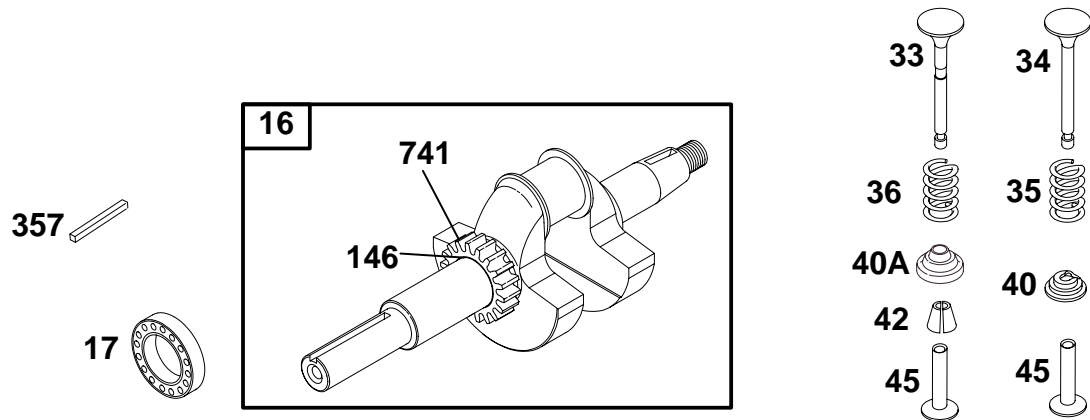
1019 LABEL KIT

★ REQUIRES SPECIAL TOOLS TO INSTALL. SEE REPAIR INSTRUCTION MANUAL.

REF. NO.	PART NO.	DESCRIPTION	REF. NO.	PART NO.	DESCRIPTION	REF. NO.	PART NO.	DESCRIPTION
1	495656	Cylinder Assembly	14	94622	Screw-Hex. (3" Long)	869	211661	Seat-Valve (Intake)
2	495657	Bushing/Seal Kit	15	94239	Plug-Oil Drain	870	262924	Seat-Valve (Exhaust)
3	★391086	Seal-Oil			Note	871	261961	Bushing-Guide (Exhaust Valve)
5	214015	Head-Cylinder			92738 Plug-Oil Drain (Magnetic)			Note
6	22963	Washer-Flat (Used Before Code Date 94050100).			94720 Plug-Oil Drain (Flush)			231218 Bushing-Guide (Intake Valve)
7	∅★272163	Gasket-Cylinder Head	306	224898	Shield-Cylinder	978	★271736	Gasket
8	495724	Breather Assembly	307	94930	Screw-Hex.	979	494807	Cover-OIL GARD®
9	∅★27803	Gasket-Breather	308	224896	Cover-Cylinder	982	94139	Screw-Hex.
10	94621	Screw-Hex.	337	492167	Plug-Spark	1019	491193	Label Kit
11	280267	Tube-Breather			Note	1058	270367	Owner's Manual Nonemission Engines
13	94565	Screw-Hex. (2 5/8" Long)			802592 Plug-Spark (Resistor Type)			
13A	94926	Stud-Hex. Drive (3 9/16" Long) (# 4 Position)	347	220197	Spark Plug Stop Switch			
		Note	347A	293739	Spark Plug Stop Switch			
		93781 Stud-Hex. Drive (3 15/16" Long) (# 1 Position)	354	94726	Nut-Hex.			
		94733 Stud-Hex. Drive (2 7/16" Long) (#5 and #6 Position For Fuel Tank Mtg.)	383	89838	Wrench-Spark Plug			
			552	491986	Bushing-Gov. Crank			
			635	66538	Boot-Spark Plug			
			718	230192	Pin-Locating			

★ Included in Gasket Set-Part No. 299577.
● Included in Carburetor Kit-Part No. 398235.

∅ Included in Valve Overhaul Gasket Set-Part No. 498533.

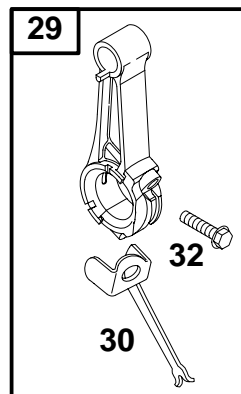
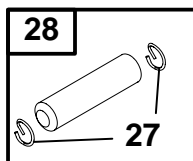
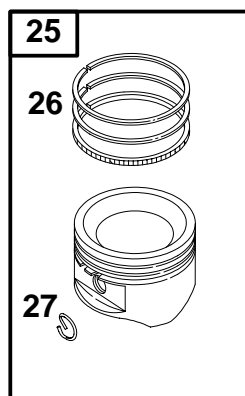


REF. NO.	PART NO.	DESCRIPTION	REF. NO.	PART NO.	DESCRIPTION	REF. NO.	PART NO.	DESCRIPTION				
16	495655	Crankshaft Note 495648 Crankshaft Used on Type No(s). 1004, 1022, 1128, 1132, 1136, 1168. 495663 Crankshaft Used on Type No(s). 1024, 1026, 1048, 1049, 1104, 1164. 495788 Crankshaft Used on Type No(s). 1038, 1039, 1127, 1165. 495789 Crankshaft Used on Type No(s). 1002, 1047, 1091, 1114, 1117, 1141, 1214. 495790 Crankshaft Used on Type No(s). 1007, 1008, 1017, 1023, 1042, 1070, 1073, 1113, 1123, 1124, 1125, 1129, 1133, 1147, 1152. 495832 Crankshaft Used on Type No(s). 1110, 1149. 495866 Crankshaft Used on Type No(s). 1115, 1154.										
				495884	Crankshaft Used on Type No(s). 1119, 1137, 1138, 1153, 1159, 1162. 497146 Crankshaft Used on Type No(s). 1166, 1167. 499531 Crankshaft Used on Type No(s). 1169.							
			17	29530	Bearing–Ball							
			33	390420	Valve–Exhaust (Includes Retainer Ref. No. 42) Note 263017 Valve–Exhaust (Used After Code Date 95041600). Used on Type No(s). 1127, 1150, 1165. 390419 Valve–Exhaust (Includes Retainer Ref. No. 42) (Used Before Code Date 95041700). Used on Type No(s). 1127, 1150, 1165.							
			34	261055	Valve–Intake							
			35	65906	Spring–Valve							
			36	26828	Spring–Valve (Used Before Code Date 95041700).							
						40	221596	Retainer–Valve				
						40A	292260	Retainer–Valve (Used Before Code Date 95041700). Note 68293 Retainer–Valve Used on Type No(s). 1026, 1164. 68293 Retainer–Valve (Used Before Code Date 95041700). Used on Type No(s). 1127, 1165.				
						42	494553	Keeper–Valve (Used Before Code Date 95041700).				
						45	260933	Tappet–Valve				
			146	94388	Key–Timing							
			357	91540	Key–Drive Pulley							
			741	263025	Gear–Timing (Used After Code Date 95021900). Note 262479 Gear–Timing (Used Before Code Date 95022000).							

★ Included in Gasket Set–Part No. 299577.
 ● Included in Carburetor Kit–Part No. 398235.

⊘ Included in Valve Overhaul Gasket Set–Part No. 498533.

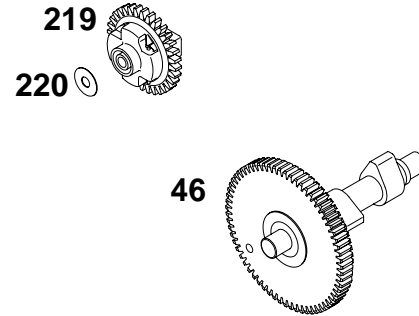
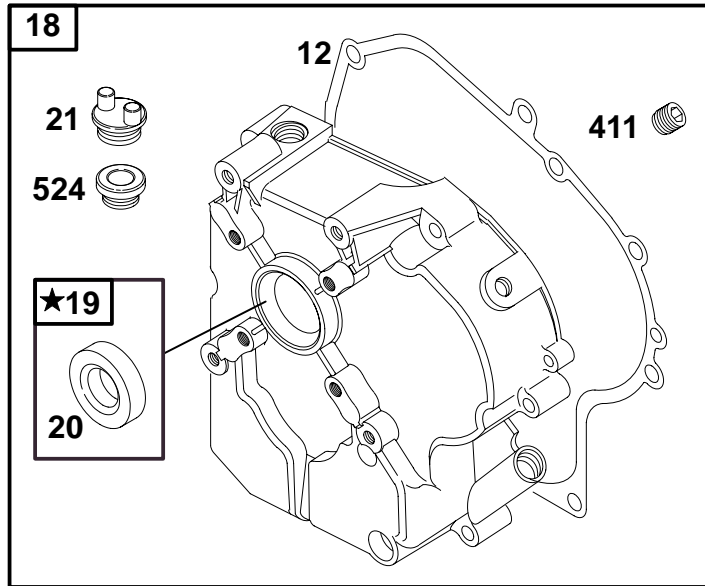
195400 to 195499



REF. NO.	PART NO.	DESCRIPTION	REF. NO.	PART NO.	DESCRIPTION	REF. NO.	PART NO.	DESCRIPTION
25	393868	Piston Assembly (Standard) —— Note —— 393869 Piston Assy. (.010" O.S.) 393879 Piston Assy. (.020" O.S.) 393880 Piston Assy. (.030" O.S.)	27	263181	Lock-Piston Pin (Used After Code Date 961027001). —— Note —— 68546 Lock-Piston Pin (Used Before Code Date 96102800).	29	390401	Rod-Connecting (Standard) —— Note —— 390773 Rod-Conn. (.020" Undersize)
26	393881	Ring Set-Standard —— Note —— 299743 Ring Set (Std. Chrome) 393882 Ring Set (.010" O.S.) 393883 Ring Set (.020" O.S.) 393884 Ring Set (.030" O.S.)	28	499302	Pin-Piston (Standard) (Used After Code Date 96102700). —— Note —— 295840 Pin-Piston (Standard) (Used Before Code Date 96102800). 499303 Pin-Piston (.005" O.S.) (Used After Code Date 96102700). 295841 Pin-Piston (.005" O.S.) (Used Before Code Date 96102800).	30	222113	Dipper-Conn. Rod
						31	222114	Lock-Rod Screw
						32	92659	Screw-Connecting Rod

★ Included in Gasket Set-Part No. 299577.
● Included in Carburetor Kit-Part No. 398235.

∅ Included in Valve Overhaul Gasket Set-Part No. 498533.



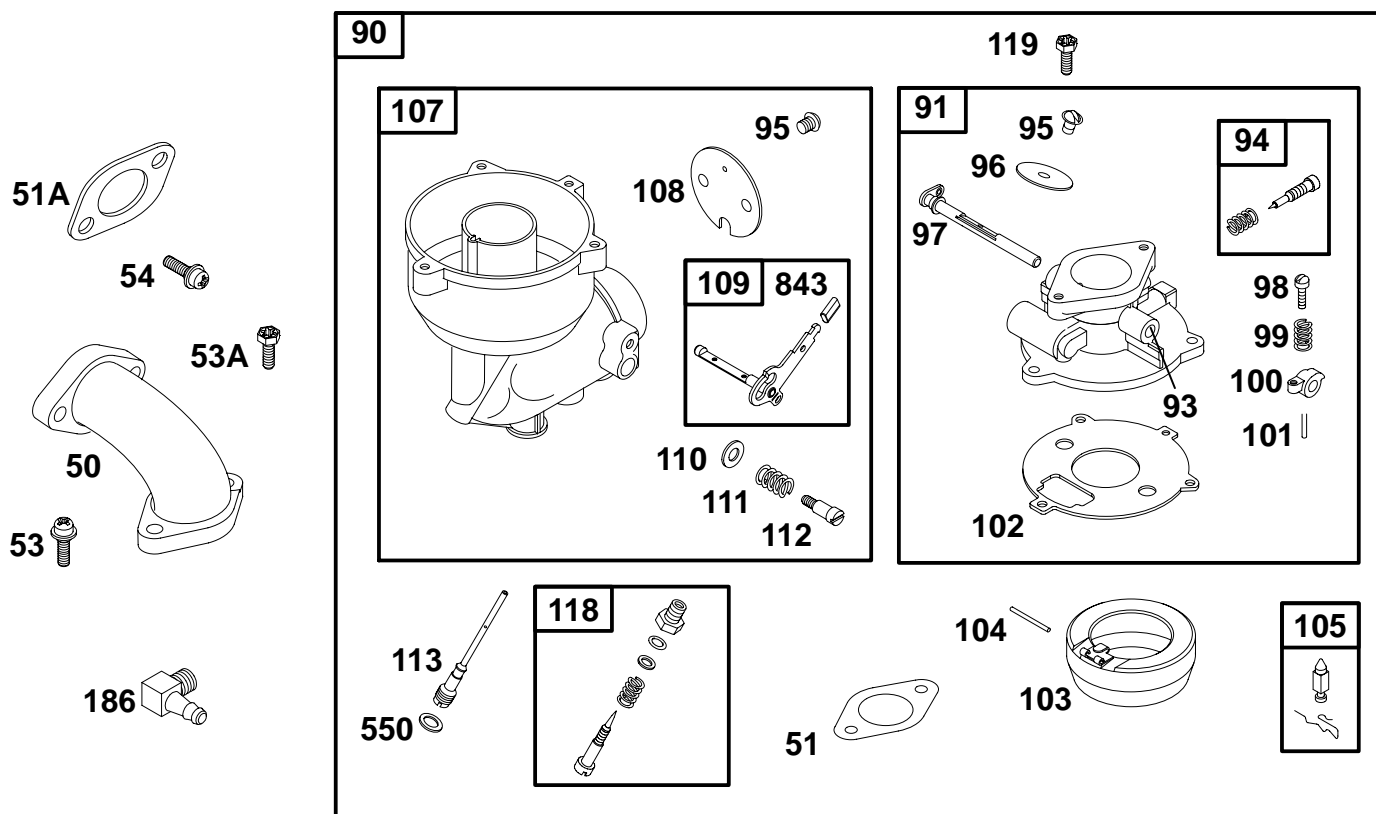
★ **REQUIRES SPECIAL TOOLS TO INSTALL.**
SEE REPAIR INSTRUCTION MANUAL.

REF. NO.	PART NO.	DESCRIPTION	REF. NO.	PART NO.	DESCRIPTION	REF. NO.	PART NO.	DESCRIPTION
12	★271701	Gasket-Crankcase (.015" Thick, Standard)		496980	Cover-Crankcase Used on Type No(s). 1007, 1110, 1111, 1114, 1119, 1122, 1123, 1125, 1126, 1130, 1134, 1142, 1143, 1150, 1153, 1154, 1160, 1166, 1167, 1214.	19	295964	Bushing
		Note				20	★391086	Seal-Oil
		★27876 Gasket-Crankcase (.005" Thick)				21	66768	Cap-Oil Fill
		★27877 Gasket-Crankcase (.009" Thick)				22	93585	Screw-Hex.
18	496981	Cover-Crankcase		496982	Cover-Crankcase Used on Type No(s). 1004, 1022, 1128, 1132, 1136, 1168, 1169.			Note
		Note						94931 Stud-Hex. Drive Used on Type No(s). 1073.
		496984 Cover-Crankcase Used on Type No(s). 1149.		496983	Cover-Crankcase Used on Model Series 195412, 195452, 195457.	46	211689	Gear-Cam
		496979 Cover-Crankcase Used on Type No(s). 1038, 1039, 1127, 1165.				186	67218	Connector-Hose
						219	494845	Gear-Governor
						220	221551	Washer-Thrust
						244	230998	Connector-Hose
								Use(s):
								93685 Screw-Hex.
						244A	230318	Connector-Hose
						411	94802	Plug
						524	★281370	Seal-Fill Tube

★ Included in Gasket Set-Part No. 299577.
 ● Included in Carburetor Kit-Part No. 398235.

∅ Included in Valve Overhaul Gasket Set-Part No. 498533.

195400 to 195499

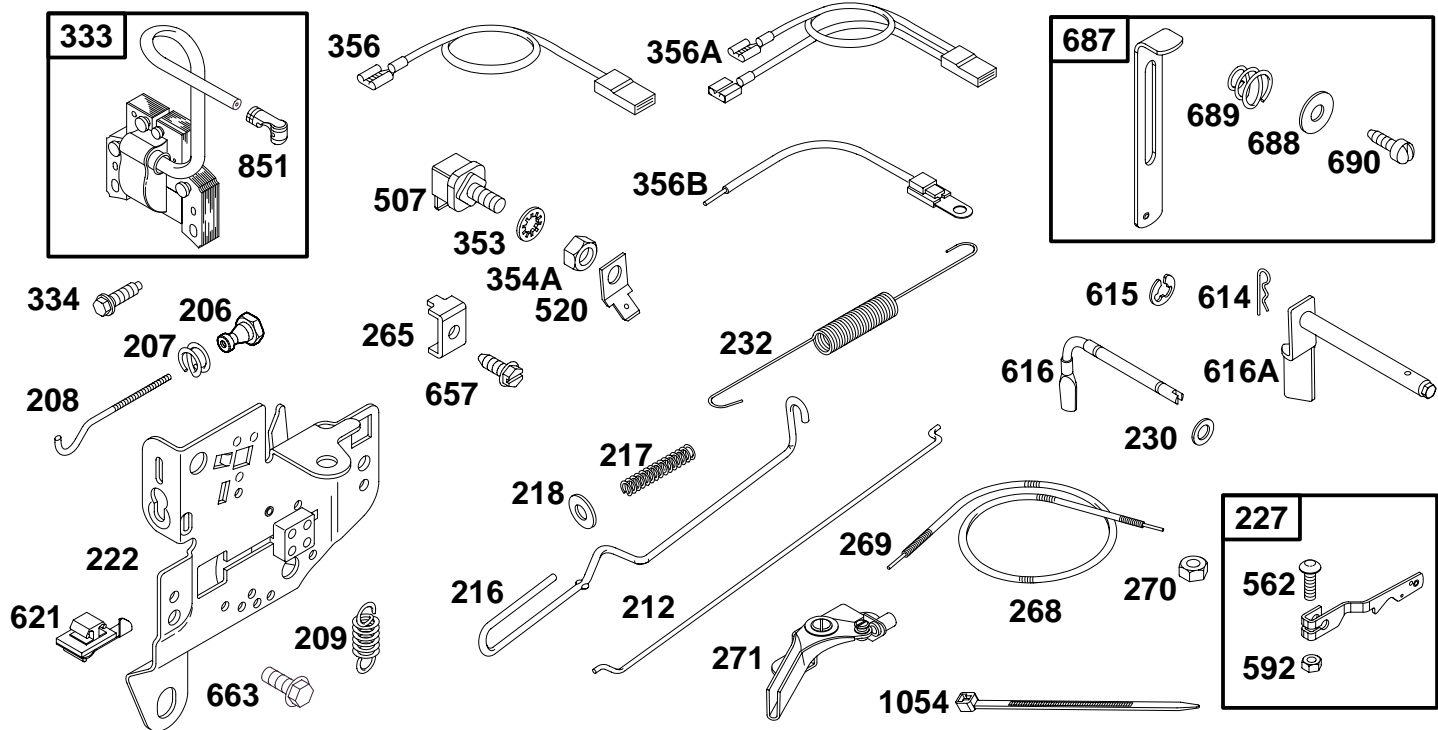


REF. NO.	PART NO.	DESCRIPTION	REF. NO.	PART NO.	DESCRIPTION	REF. NO.	PART NO.	DESCRIPTION
50	213099	Manifold-Intake	98	91920	Screw-Slotted	110	222712	Washer-Friction
51	★270684	Gasket-Intake	99	26157	Spring-Friction	111	26155	Spring-Friction
51A	∅★27828	Gasket-Intake	100	212904	Stop-Throttle	112	23123	Screw-Shoulder
53	93956	Screw-Shoulder	101	93043	Pin-Shaft	113	●398202	Nozzle-Carburetor
53A	94616	Screw-T/30	102	●27918	Gasket-Carburetor Body	118	●99525	Kit-Idle Mixture
54	93208	Screw-Phillips	103	99333	Float-Carburetor	Note Include(s): 22235 Washer 26336 Spring-Needle Valve 65978 Seal-O-Ring 394033 Kit-Idle Mixture		
90	390323	Carburetor	104	●230896	Pin-Float Hinge	119	94152	Screw-Torx®Hex.
		Note	105	●394681	Kit-Needle/Seat	186	67218	Connector-Hose
		397482 Carburetor			Note	550	●68667	Gasket-Nozzle
		Used on Type No(s). 1006, 1009, 1111.			394682 Kit-Needle/Seat	843	280149	Sleeve-Lever
91	399443	Body Assy.-Upper			(Includes Brass Seat)			
93	23108	Bushing-Throttle Shaft	107	399442	Body Assy.-Lower			
94	●292681	Valve-Idle Mixture	108	62872	Valve-Choke			
95	93499	Screw-Choke/Throttle	109	391987	Shaft-Choke			
96	223370	Valve-Throttle			Note			
97	298826	Shaft-Throttle			396700 Shaft-Choke			
					Used on Type No(s). 1006, 1009, 1111.			

★ Included in Gasket Set-Part No. 299577.
 ● Included in Carburetor Kit-Part No. 398235.

∅ Included in Valve Overhaul Gasket Set-Part No. 498533.

195400 to 195499

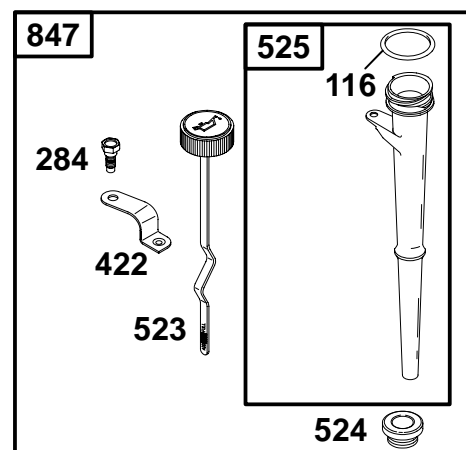
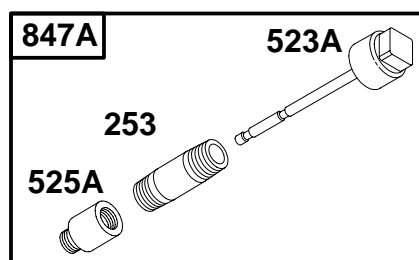
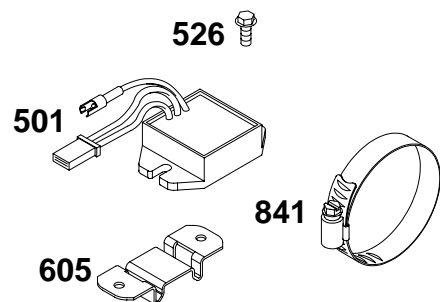
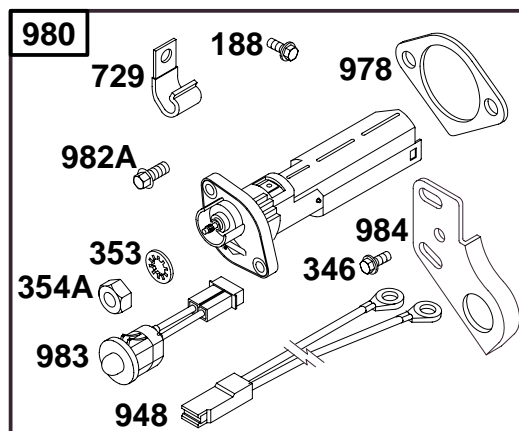
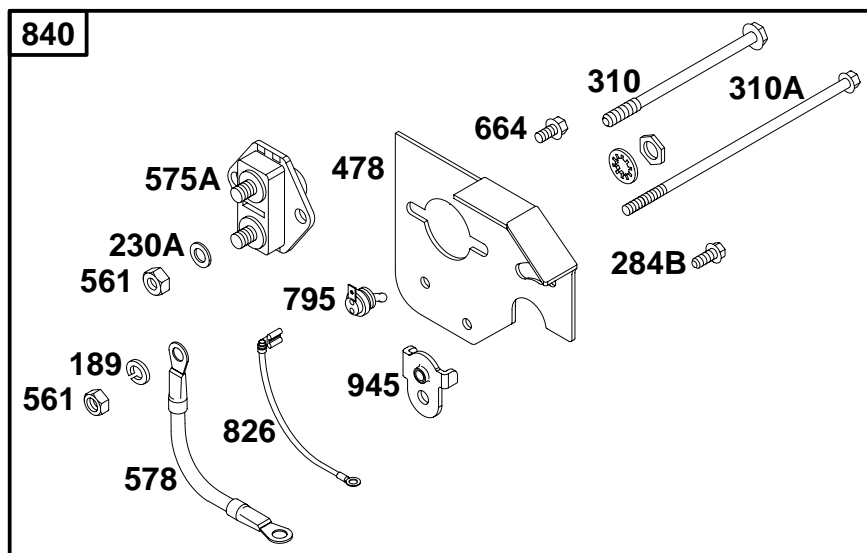


REF. NO.	PART NO.	DESCRIPTION	REF. NO.	PART NO.	DESCRIPTION	REF. NO.	PART NO.	DESCRIPTION
206	231266	Nut-Governor Adjust	212	260872	Link-Throttle	354A	90576	Nut-Hex.
207	26855	Spring-Friction	216	262026	Link-Choke	356	491927	Wire-Stop
208	261959	Rod-Governor Control	217	261119	Spring-Friction	356A	491391	Wire-Stop
209	260695	Spring-Governor	218	222352	Washer-Flat	356B	496868	Wire-Stop
		Note	222	399151	Bracket-Control	507	398525	Insulator
		261126 Spring-Gov. Used on Type No(s). 1002, 1004, 1006, 1009, 1013, 1024, 1026, 1035, 1041, 1047, 1048, 1049, 1090, 1091, 1116, 1121, 1136, 1138, 1139, 1140, 1143, 1145, 1146, 1150, 1154, 1155, 1156, 1157, 1159, 1162, 1163, 1164, 1168.			Note	520	93722	Terminal-Ground
		261194 Spring-Gov. Used on Type No(s). 1119.			399150 Bracket-Control Used on Type No(s). 1006, 1009, 1111.	562	92613	Bolt-Governor Lever
		261306 Spring-Gov. Used on Type No(s). 1038, 1039, 1127, 1165.	227	391965	Lever-Governor	592	231082	Nut-Hex.
			230	94742	Washer-Flat	614	93306	Pin-Cotter
			232	260478	Spring-Link	615	93307	Retainer-E-Ring
			265	221535	Clamp-Casing	616	231057	Crank-Governor
			268	65616	Casing-Wire (Cut to Required Length)	616A	495241	Crank-Governor
			269	26633	Wire-Control (Cut to Required Length)	621	396847	Switch-Stop
			270	63426	Locknut-Casing	657	93496	Screw-Slotted Hex.
			271	290568	Lever-Control	663	93343	Screw-Hex.
			333	398811	Armature-Magneto	687	390701	Slide-Control
					Note	688	221766	Cap-Friction
					802574 Armature-Magneto Used on Type No(s). 1143.	689	260847	Spring-Friction
			334	94731	Screw-Hex.	690	90746	Screw-Slotted
			353	92791	Washer-Lock	851	493880	Terminal-Cable
						1054	280275	Tie-Cable

★ Included in Gasket Set-Part No. 299577.
● Included in Carburetor Kit-Part No. 398235.

⊘ Included in Valve Overhaul Gasket Set-Part No. 498533.


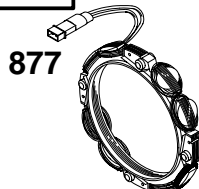
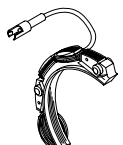

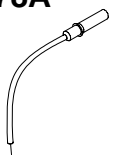
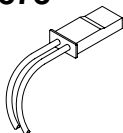
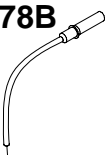

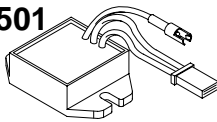

195400 to 195499



REF. NO.	PART NO.	DESCRIPTION	REF. NO.	PART NO.	DESCRIPTION	REF. NO.	PART NO.	DESCRIPTION
116	★270920	Seal-O Ring	523A	297357	Dipstick	840	395408	Kit-Panel
188	94627	Screw-Hex.	524	★281370	Seal-Fill Tube	841	393514	Clamp
189	90366	Washer-Lock	525	495347	Tube-Oil Fill	847	399901	Dipstick/Tube Assembly
230A	91325	Washer	525A	232053	Adapter-Oil Fill	847A	493955	Dipstick/Tube Assembly
253	91258	Tube-Oil Fill	526	93343	Screw-Hex.	945	223429	Bracket-Motor
284	93886	Screw-Shoulder	561	92278	Nut-Hex.	948	398661	Harness-Wiring
284B	94620	Screw-Hex.	575A	299139	Switch-Starting	978	★271736	Gasket
310	94169	Screw-Hex.	578	392683	Cable-Starter	980	398182	OIL GARD® Kit
310A	94169	Screw-Hex.	605	222934	Bracket-Mounting	982A	94657	Screw-Hex.
346	93705	Screw-Hex.	664	93415	Screw-Hex.	983	398660	Light-Indicator
353	92791	Washer-Lock	729	223528	Clip-Wire	984	223773	Bracket-Light
354A	90576	Nut-Hex.	795	496590	Switch-Toggle			
422	223375	Bracket-Oil Fill	826	397674	Wire Assembly (Starter Switch to Ground Wire Terminal)			
478	395410	Panel						
501	394890	Regulator						
523	495225	Dipstick						

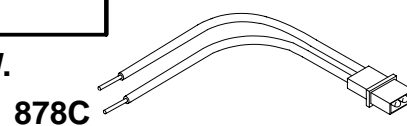
★ Included in Gasket Set-Part No. 299577.
 ● Included in Carburetor Kit-Part No. 398235.

∅ Included in Valve Overhaul Gasket Set-Part No. 498533.

DC ONLY	DUAL CIRCUIT	AC ONLY	10 AMP
SEE FLYWHEEL ASSEMBLY	SEE FLYWHEEL ASSEMBLY	SEE FLYWHEEL ASSEMBLY	SEE FLYWHEEL ASSEMBLY
474 	474A 	474B 	474C 
878A 	878 	878B 	878A 
			501  526 



NOTE: ALL STATORS USE NO. 482 MOUNTING SCREW.

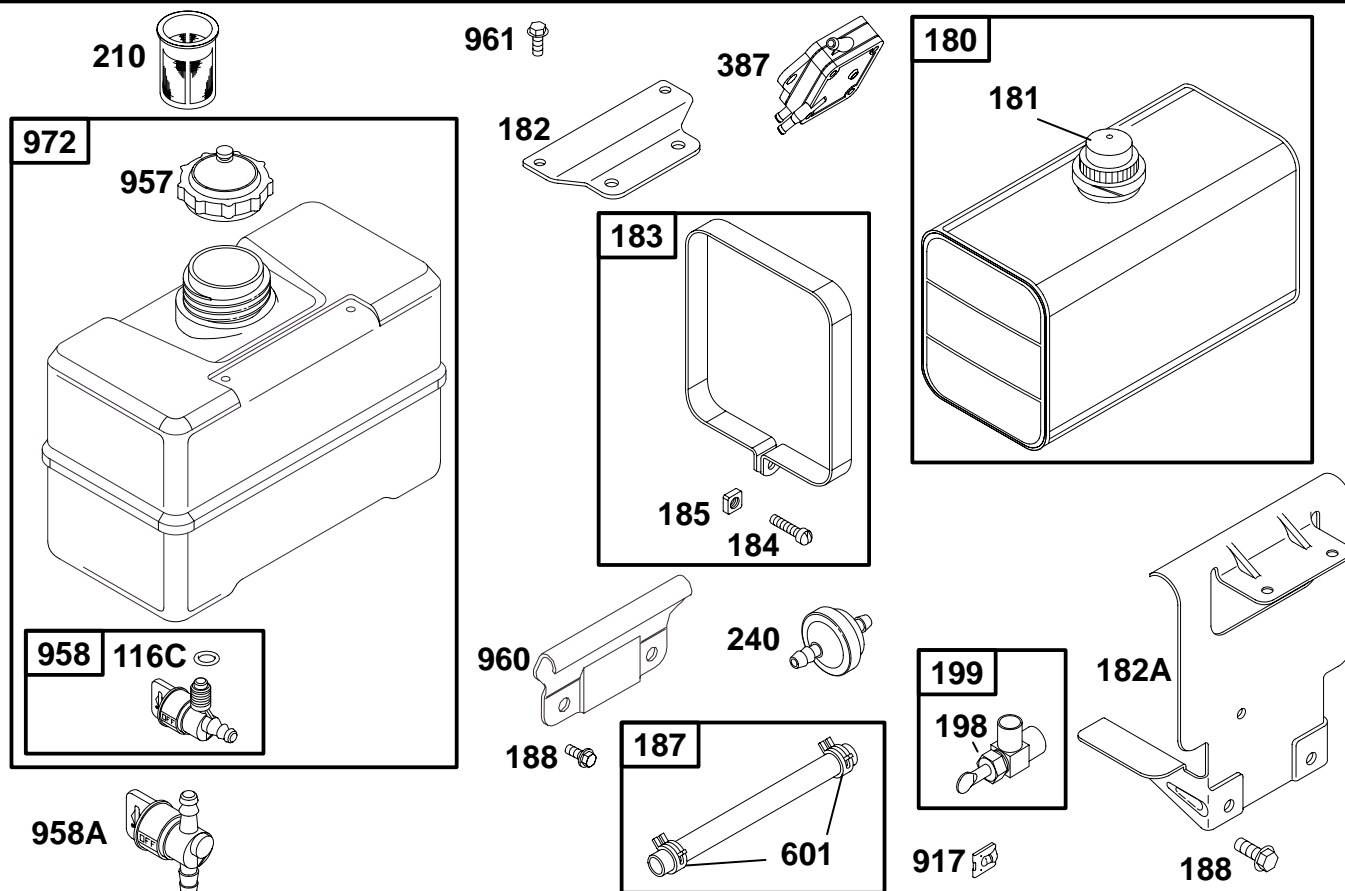


REF. NO.	PART NO.	DESCRIPTION	REF. NO.	PART NO.	DESCRIPTION	REF. NO.	PART NO.	DESCRIPTION
474	391529	Alternator	501	394890	Regulator	878	393362	Harness-Alternator
474A	393474	Alternator	526	93343	Screw-Hex.	878A	393422	Harness-Alternator
474B	391595	Alternator	877	393456	Wire-Alternator	878B	390867	Harness-Alternator
474C	393295	Alternator	877A	393814	Wire-Alternator	878C	399916	Harness-Alternator
482	93621	Screw-Hex.						

★ Included in Gasket Set-Part No. 299577.
● Included in Carburetor Kit-Part No. 398235.

∅ Included in Valve Overhaul Gasket Set-Part No. 498533.

195400 to 195499

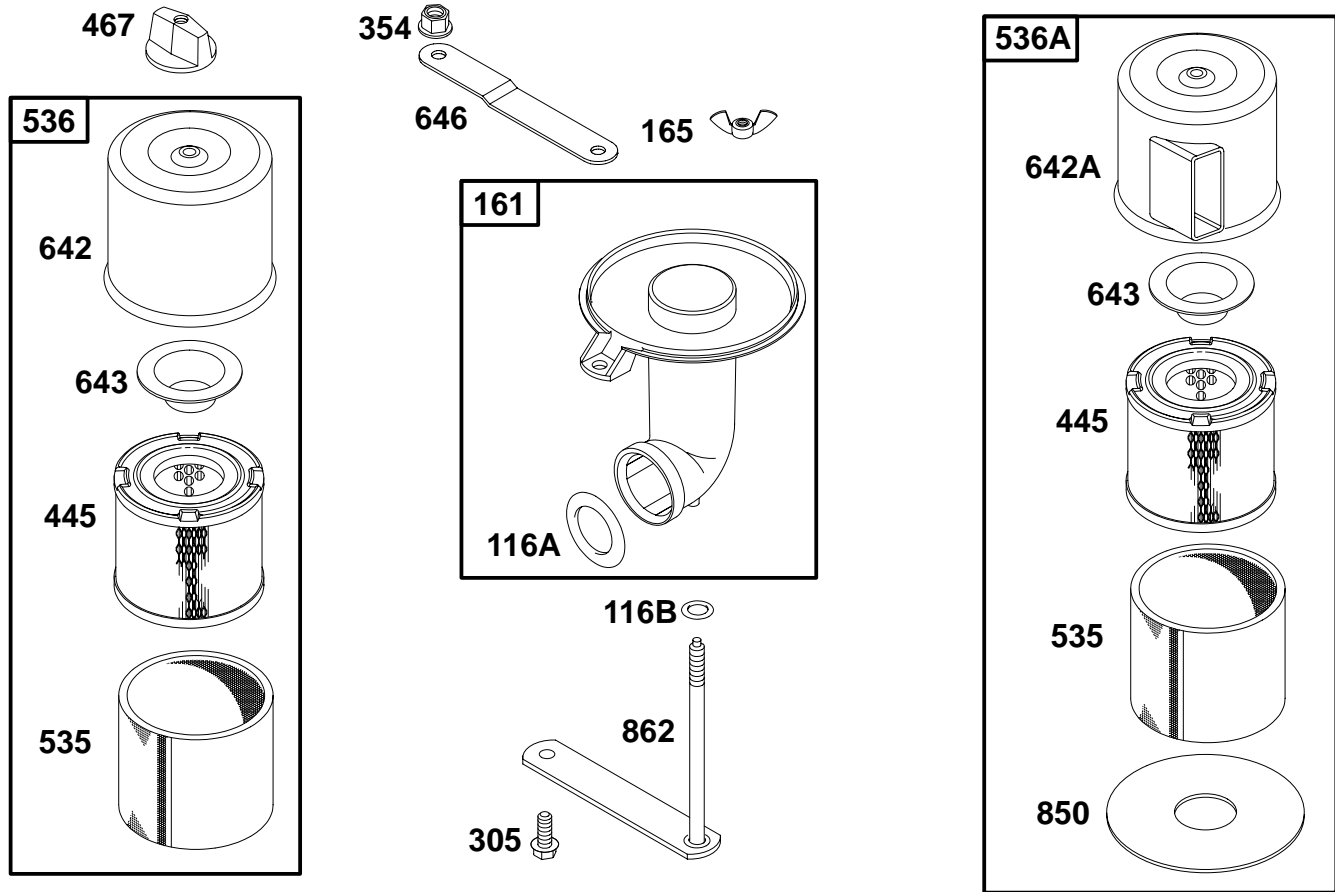


REF. NO.	PART NO.	DESCRIPTION	REF. NO.	PART NO.	DESCRIPTION	REF. NO.	PART NO.	DESCRIPTION
116C	280203	Seal-O-Ring	183	291490	Strap-Fuel Tank	387	491922	Pump-Fuel
180	291488	Tank-Fuel (6 Quart)			Note	601	93053	Clamp-Hose (Green)
		Note			291367			Clamp-Hose (Black)
		290816 Tank-Fuel (4 Quart)			Used on Type No(s). 1214.	917	223271	Handle-Shut-Off Valve
		Used on Type No(s). 1214.	184	91257	Screw-Slotted	957	493988	Cap-Fuel Tank (Plastic)
		394079 Tank-Fuel (6 Quart)	185	90970	Nut-Square	958	399517	Valve-Shut-Off (Upper)
		Used on Type No(s). 1038, 1039.	187	299146	Line-Fuel (Cut to Required Length)	958A	494768	Valve-Shut-Off (Lower)
181	392305	Cap-Fuel Tank	188	94627	Screw-Hex.	960	492990	Bracket-Fuel Tank (Lower)
182	495664	Bracket-Fuel Tank	198	293934	Screw-Shut Off	961	94095	Screw-Hex.
182A	222829	Bracket-Fuel Tank	199	297563	Valve-Shut Off	972	493337	Tank-Fuel (Plastic)
		Note	210	492044	Strainer-Fuel			
		222758 Bracket-Fuel Tank	240	298090	Filter-Fuel			
		Used on Type No(s). 1114, 1168, 1214.			Note			
					394358			
					Filter-Fuel			
					Used on Type No(s). 1121.			

★ Included in Gasket Set-Part No. 299577.
● Included in Carburetor Kit-Part No. 398235.

∅ Included in Valve Overhaul Gasket Set-Part No. 498533.

195400 to 195499

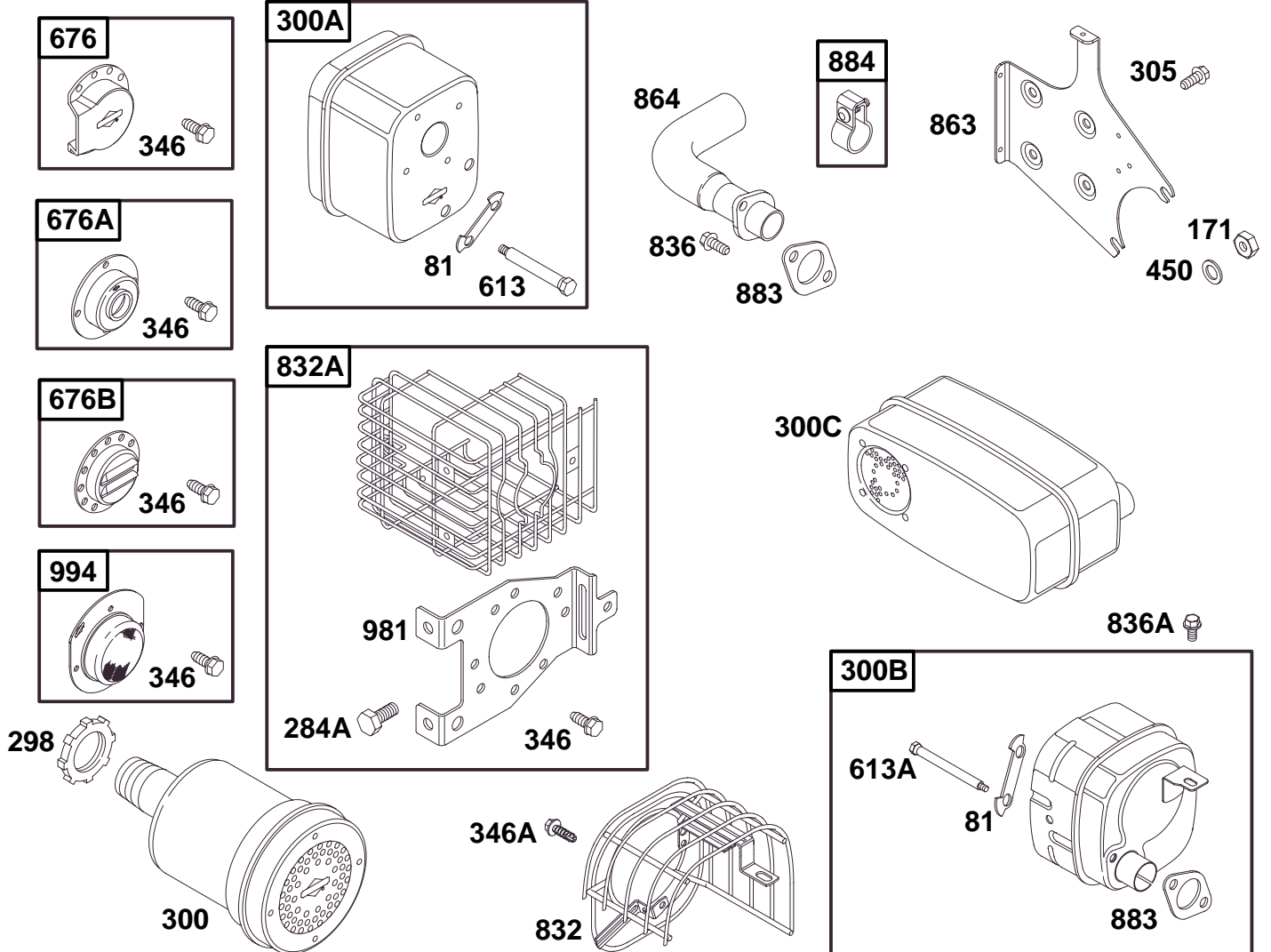


REF. NO.	PART NO.	DESCRIPTION	REF. NO.	PART NO.	DESCRIPTION	REF. NO.	PART NO.	DESCRIPTION
116A	271265	Seal-O-Ring	445	393957	Filter-Air	642A	496093	Cover-Air Cleaner
116B	65978	Seal-O-Ring	467	493903	Knob-Air Cleaner	643	222272	Retainer-Air Filter
161	398592	Basee-Air Cleaner	535	271794	Filter-Pre Cleaner	646	224484	Brace-Support
165	94289	Nut-Wing	536	391063	Cleaner-Air	850	271793	Seal-Base
305	94786	Screw-Hex.	536A	399810	Cleaner-Air	862	392105	Strap-Cleaner Mounting
354	94726	Nut-Hex.	642	224885	Cover-Air Cleaner			

★ Included in Gasket Set-Part No. 299577.
 ● Included in Carburetor Kit-Part No. 398235.

∅ Included in Valve Overhaul Gasket Set-Part No. 498533.

195400 to 195499

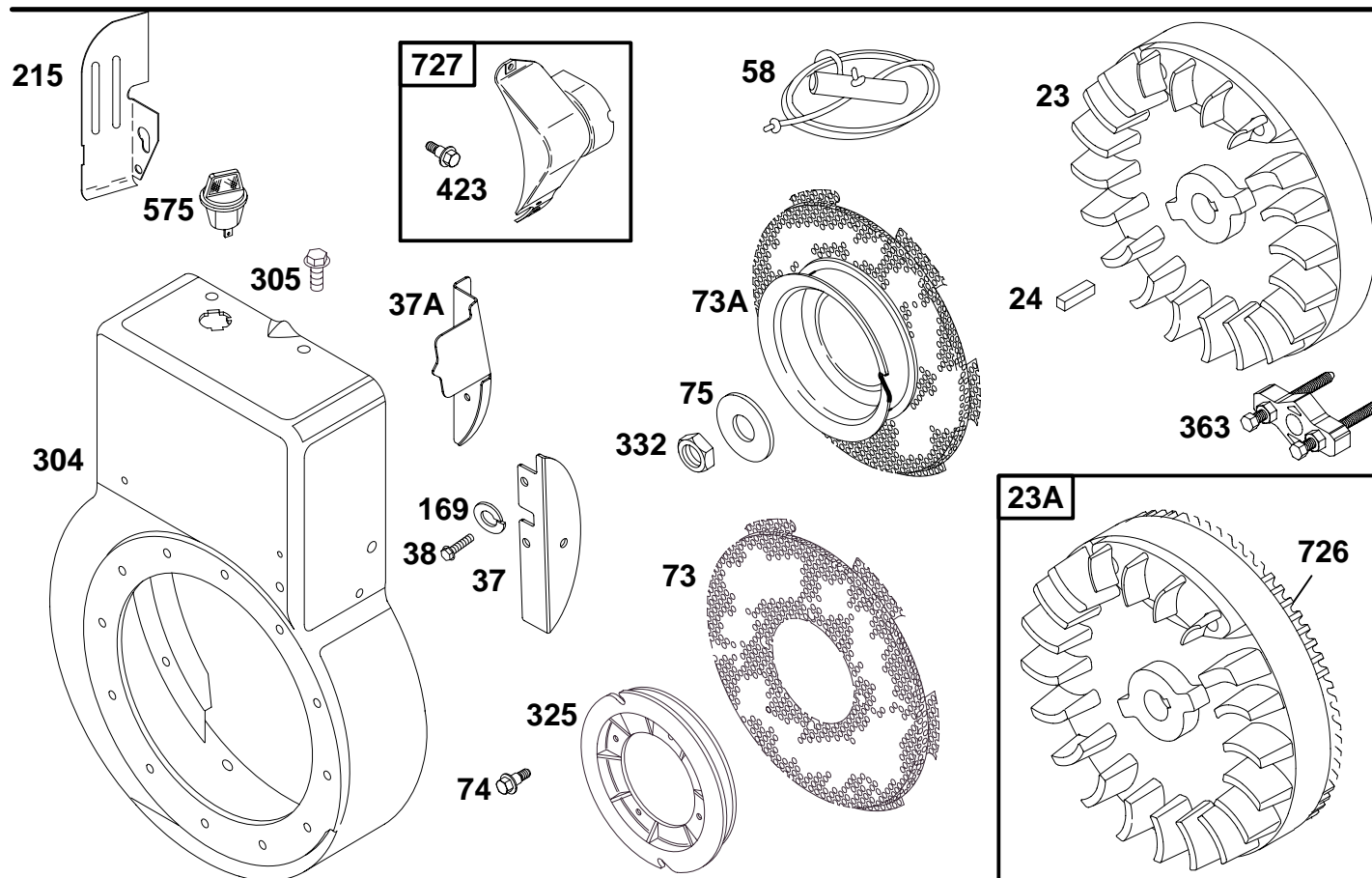


REF. NO.	PART NO.	DESCRIPTION	REF. NO.	PART NO.	DESCRIPTION	REF. NO.	PART NO.	DESCRIPTION
81	222263	Lock-Muffler Screw	346A	94887	Screw-Hex.	676B	393758	Deflector-Muffler
171	94314	Nut-Hex.	450	93852	Washer-Flat	832	492337	Guard-Muffler
284A	94602	Screw-Hex	613	94054	Screw-Shoulder	832A	494868	Guard-Muffler
298	261409	Locknut-Muffler/Elbow	613A	94042	Screw-Shoulder	836	94729	Screw-Torx®Hex.
300	393010	Muffler-Exhaust	676	393757	Deflector-Muffler	836A	94153	Screw-Hex.
300A	494221	Muffler-Exhaust	Note		863	224479	Bracket-Muffler	
300B	391313	Muffler-Exhaust	393761 Deflector-Muffler Used on Type No(s). 1073.		864	494009	Adapter-Muffler	
300C	498984	Muffler-Exhaust (Used After Code Date 96091500).			883	Ø*272309	Gasket-Exhaust	
Note			676A	395700	Deflector-Muffler	884	392649	Clamp
493963 Muffler-Exhaust (Used Before Code Date Date 96091600).			Note		981	223373	Bracket-Muffler Guard	
			396903 Deflector-Muffler Used on Type No(s). 1121.		994	399541	Arrester-Spark	
305	94786	Screw-Hex.						
346	93705	Screw-Hex.						

★ Included in Gasket Set-Part No. 299577.
● Included in Carburetor Kit-Part No. 398235.

Ø Included in Valve Overhaul Gasket Set-Part No. 498533.

195400 to 195499

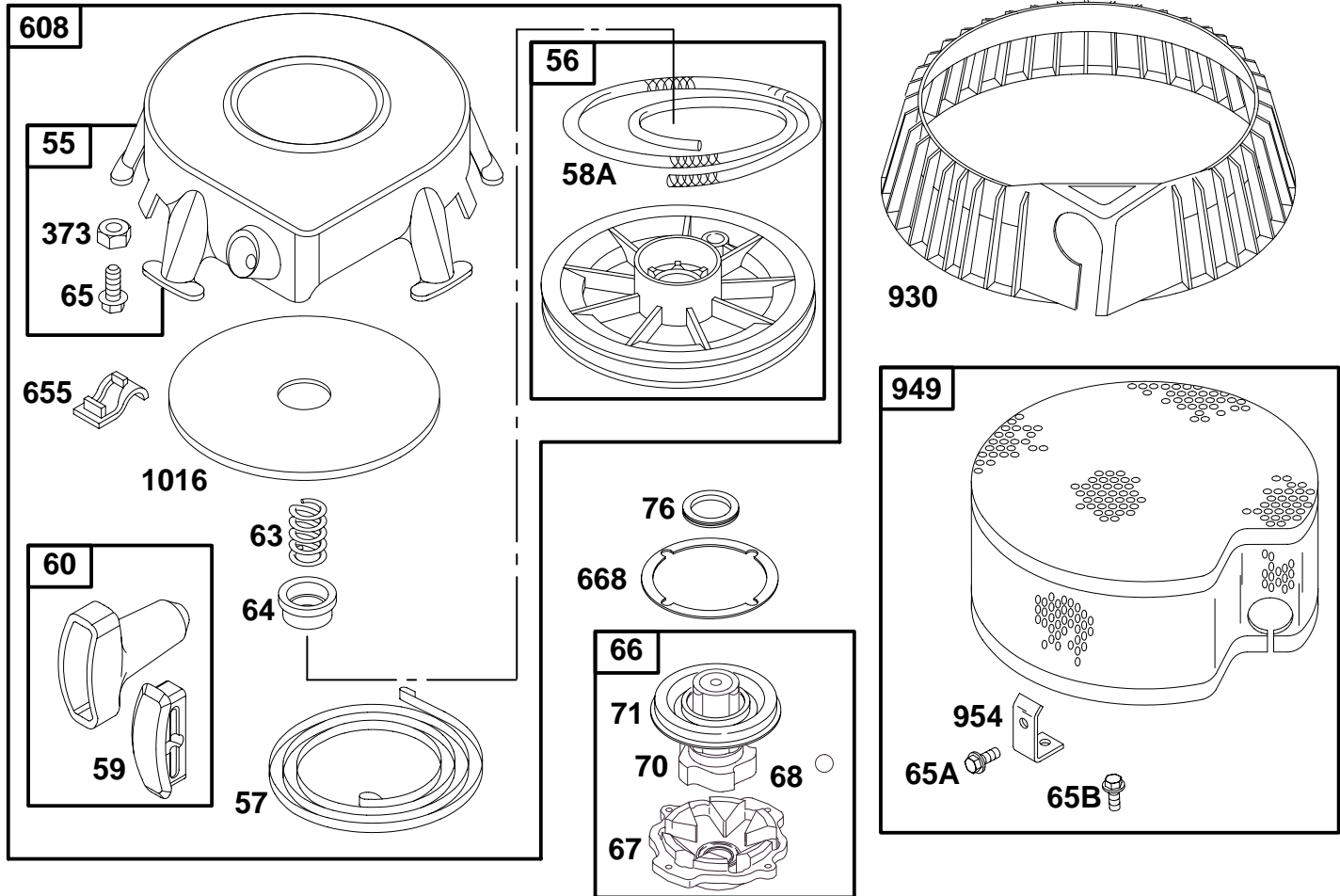


REF. NO.	PART NO.	DESCRIPTION	REF. NO.	PART NO.	DESCRIPTION	REF. NO.	PART NO.	DESCRIPTION
23	298260	Flywheel	169	93713	Washer-Lock Used on Type No(s). 1139, 1163.	305	94786	Screw-Hex.
23A	391983	Flywheel	215	221760	Guide-Air	325	280457	Pulley-Rope Starter
		Note	304	491596	Housing-Blower	332	94877	Nut-Flywheel
		392034 Flywheel Used on Type No(s). 1145, 1149.			Note	363	19165	Flywheel Puller
24	222698	Key-Flywheel			491592 Housing-Blower Used on Type No(s). 1008, 1009, 1017, 1023, 1039, 1041, 1042, 1048, 1121, 1125, 1130, 1139, 1145, 1149, 1157, 1163, 1165, 1166.	423	94625	Screw-Shoulder
37	222475	Guard-Flywheel				575	396691	Switch-Rotary
37A	224886	Guard-Flywheel				726	392134	Gear-Ring
38	94811	Screw-Slotted Hex.				727	395405	Cover-Starter Drive
58	69932	Kit-Handle/Rope						
73	221796	Screen-Rotating						
73A	496084	Pulley-Rope Starter						
74	94928	Screw-Shoulder						
75	224061	Washer-Flywheel						

★ Included in Gasket Set-Part No. 299577.
● Included in Carburetor Kit-Part No. 398235.

∅ Included in Valve Overhaul Gasket Set-Part No. 498533.

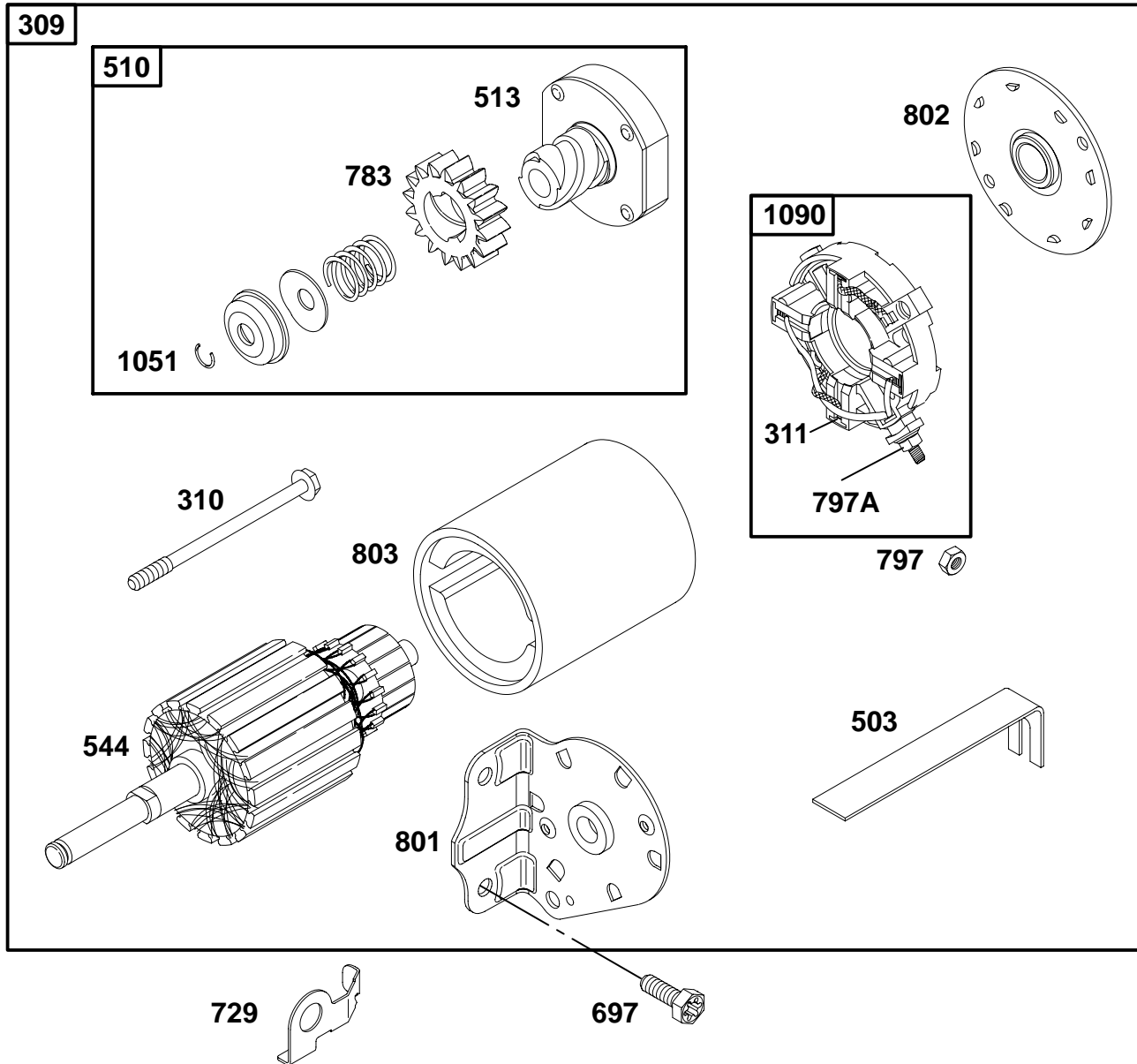
195400 to 195499



REF. NO.	PART NO.	DESCRIPTION	REF. NO.	PART NO.	DESCRIPTION	REF. NO.	PART NO.	DESCRIPTION
55	393576	Housing-Rewind Starter	60	490652	Grip-Starter Rope	71	394506	Cover-Ratchet
56	295871	Pulley-Starter	63	260414	Spring-Ratchet	76	68238	Seal
57	490179	Spring-Rewind Starter	64	281204	Adapter-Spring	373	92987	Nut-Hex.
58A	66884	Rope-Starter (63" Long)	65	94686	Screw-Hex.	608	390391	Starter-Rewind
		Note	65A	94018	Screw-Hex.	655	222598	Anchor-Rewind Spring
		66894 Rope-Starter (99" Long)	65B	93067	Screw-Hex.	668	225124	Spacer
59	490653	Insert-Grip	66	399671	Clutch-Starter	930	280685	Guard-Rewind
			67	394897	Housing-Clutch	949	397530	Guard-Debris Screen
			68	63770	Ball-Clutch	954	223379	Bracket-Mounting
			70	298799	Ratchet-Clutch	1016	490817	Spacer-Rewind

★ Included in Gasket Set-Part No. 299577.
 ● Included in Carburetor Kit-Part No. 398235.

∅ Included in Valve Overhaul Gasket Set-Part No. 498533.

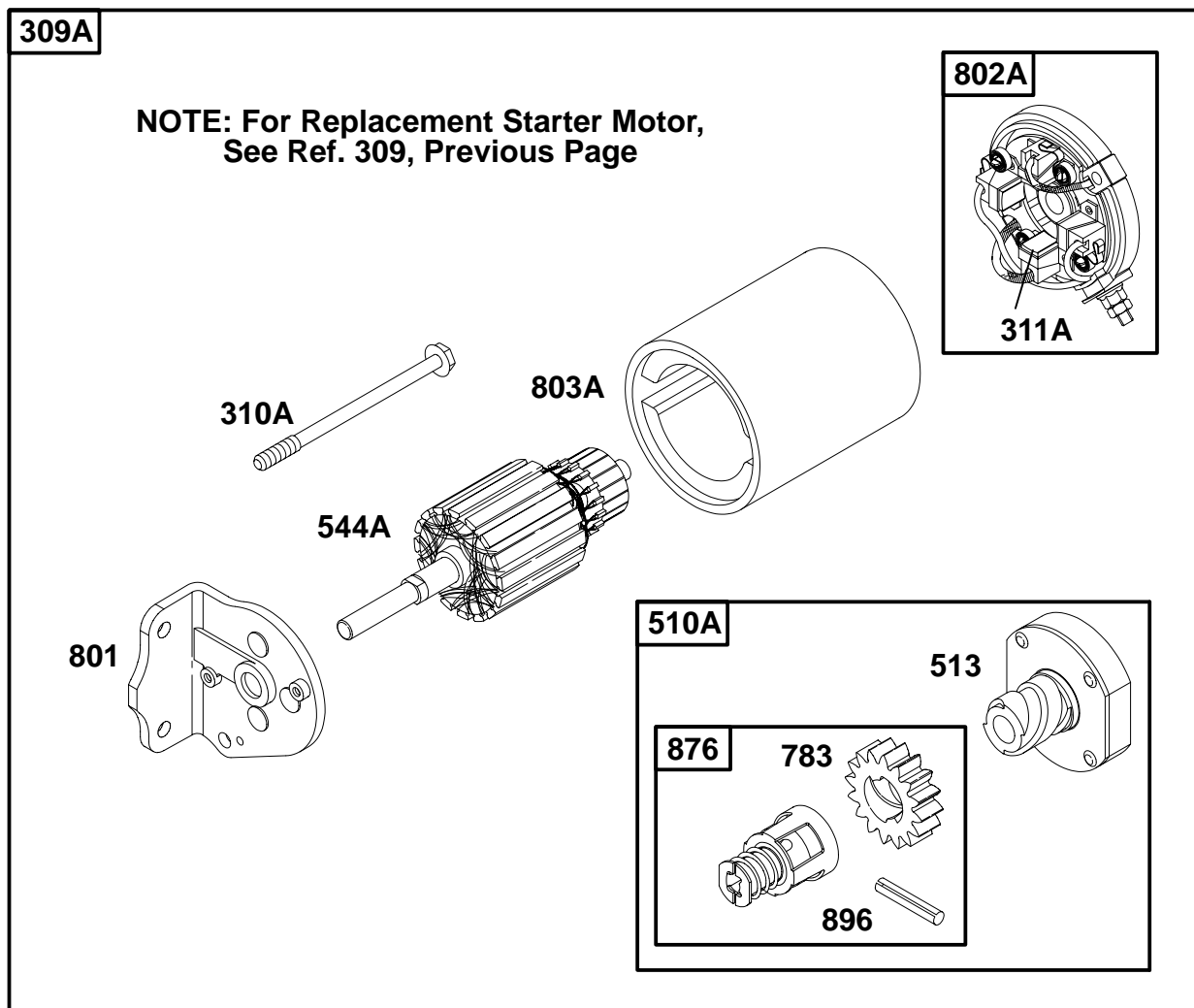


REF. NO.	PART NO.	DESCRIPTION	REF. NO.	PART NO.	DESCRIPTION	REF. NO.	PART NO.	DESCRIPTION
309	693054	Motor-Starter	697	94773	Screw (Starter Motor Mounting)	797A	693167	Nut (Starter Terminal)
310	94003	Screw-Hex. (Starter Motor)	729	225170	Clip-Wire	801	394856	Cap-Drive
311	497608	Brush Set	783	693059	Gear-Starter	802	497607	Cap-End
503	806000	Strap-Starter	797	92278	Nut (Starter Terminal)	803	497604	Housing-Starter
510	497606	Drive-Starter				1051	263080	Ring-Retainer
513	398003	Clutch-Drive				1090	497605	Retainer-Brush
544	497603	Armature-Starter						

★ Included in Gasket Set-Part No. 299577.
● Included in Carburetor Kit-Part No. 398235.

∅ Included in Valve Overhaul Gasket Set-Part No. 498533.

195400 to 195499

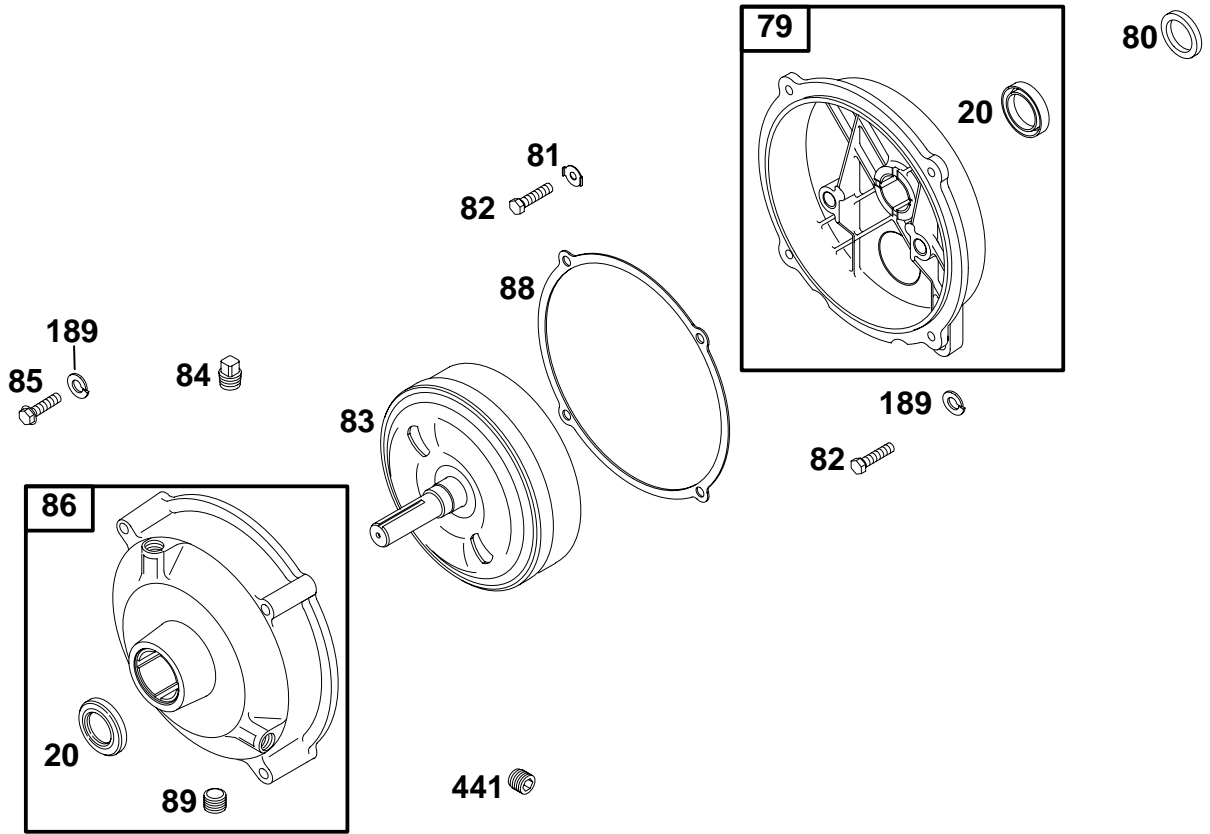


REF. NO.	PART NO.	DESCRIPTION	REF. NO.	PART NO.	DESCRIPTION	REF. NO.	PART NO.	DESCRIPTION
309A		For Replacement Starter Motor, See Ref 309, Previous Page.	503	806000	Strap—Starter	783	693059	Gear—Starter
			510A	495878	Drive—Starter	801	394856	Cap—Drive
			513	398003	Clutch—Drive	802A	395537	Cap—End
310A	94003	Screw—Hex. (Starter Motor)	544A	390837	Armature—Starter	803A	398159	Housing—Starter
311A	395538	Brush Set	697	94773	Screw (Starter Motor Mounting)	876	495877	Kit—Gear
						896	94288	Pin—Drive Retainer

★ Included in Gasket Set—Part No. 299577.
 ● Included in Carburetor Kit—Part No. 398235.

∅ Included in Valve Overhaul Gasket Set—Part No. 498533.

195400 to 195499

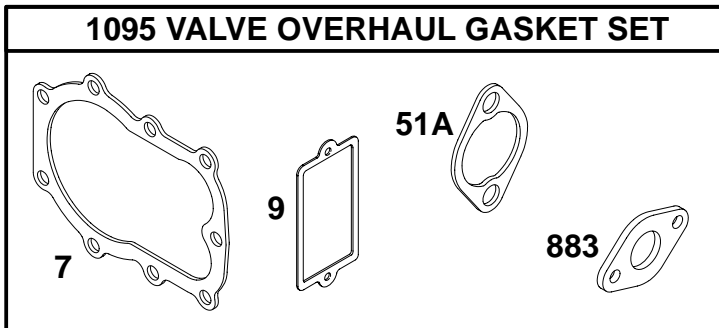
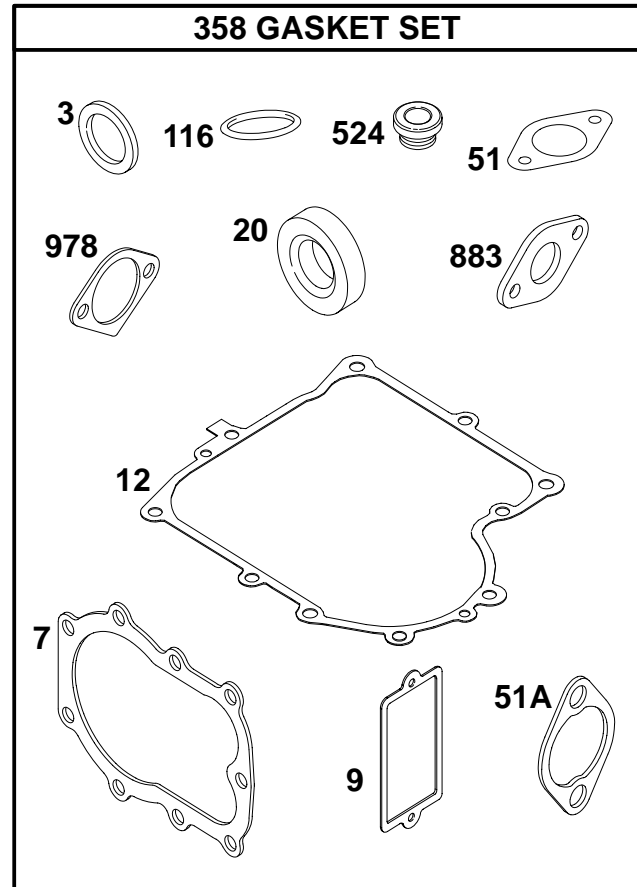
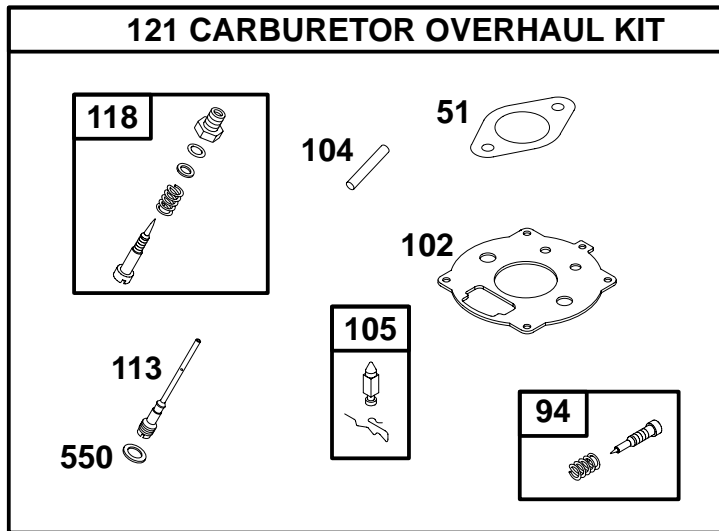


REF. NO.	PART NO.	DESCRIPTION	REF. NO.	PART NO.	DESCRIPTION	REF. NO.	PART NO.	DESCRIPTION
20	★391086	Seal-Oil	83	495985	Shaft-Aux Drive	88	27328	Gasket-Gear Cover
79	296179	Case-Reduction Gear	84	94918	Plug-Breather	89	91488	Plug-Oil Drain
80	27884	Gasket-Gear Case	85	91386	Screw-Hex.	189	90366	Washer-Lock
81	220234	Lock-Screw Head	86	296053	Cover-Assembly Gear	441	94886	Plug-Oil Drain
82	92502	Screw-Hex.						

★ Included in Gasket Set-Part No. 299577.
 ● Included in Carburetor Kit-Part No. 398235.

∅ Included in Valve Overhaul Gasket Set-Part No. 498533.

195400 to 195499



REF. NO.	PART NO.	DESCRIPTION	REF. NO.	PART NO.	DESCRIPTION	REF. NO.	PART NO.	DESCRIPTION
3	★391086	Seal-Oil	94	●292681	Valve-Idle Mixture	121	398235	Carburetor Kit
7	∅★272163	Gasket-Cylinder Head	102	●27918	Gasket-Carburetor Body	358	299577	Gasket Set
9	∅★27803	Gasket-Breather	104	●230896	Pin-Float Hinge	524	★281370	Seal-Fill Tube
12	★271701	Gasket-Crankcase (.015" Thick, Standard)	105	●394681	Valve-Needle	550	●68667	Gasket-Nozzle
		Note	113	●398202	Nozzle-Carburetor	883	∅★272309	Gasket-Exhaust
		★27876 Gasket-Crankcase (.005" Thick)	116	★270920	Seal-O-Ring	978	★271736	Gasket (Oil Switch)
		★27877 Gasket-Crankcase (.009" Thick)	118	●99525	Kit-Idle Mixture	1095	498533	Gasket Set-Valve Overhaul
20	★391086	Seal-Oil			Include(s):			
51	●★270684	Gasket-Intake			22235 Washer			
51A	∅★27828	Gasket-Intake			26336 Spring-Needle Valve			
					65978 Seal-O-Ring			
					394033 Kit-Idle Mixture			

★ Included in Gasket Set-Part No. 299577.
● Included in Carburetor Kit-Part No. 398235.

∅ Included in Valve Overhaul Gasket Set-Part No. 498533.