

133200 to 133299

Illustrated Parts List

Model Series

133200 to 133299

TYPE NUMBERS

0001 through 0021,
0024 through 0038,
0040, 0049, 0050,
0060 through 0064,
0090 through 0129,
0131 through 0162,
0313 through 0360,
0514 through 0526,
1002 through 1015,
1024 through 1050,
1060, 1063, 1064,
1101 through 1163.

TO FIND

**THE CORRECT NUMBER OF THE PART YOU NEED:
FOLLOW THE INSTRUCTIONS BELOW**

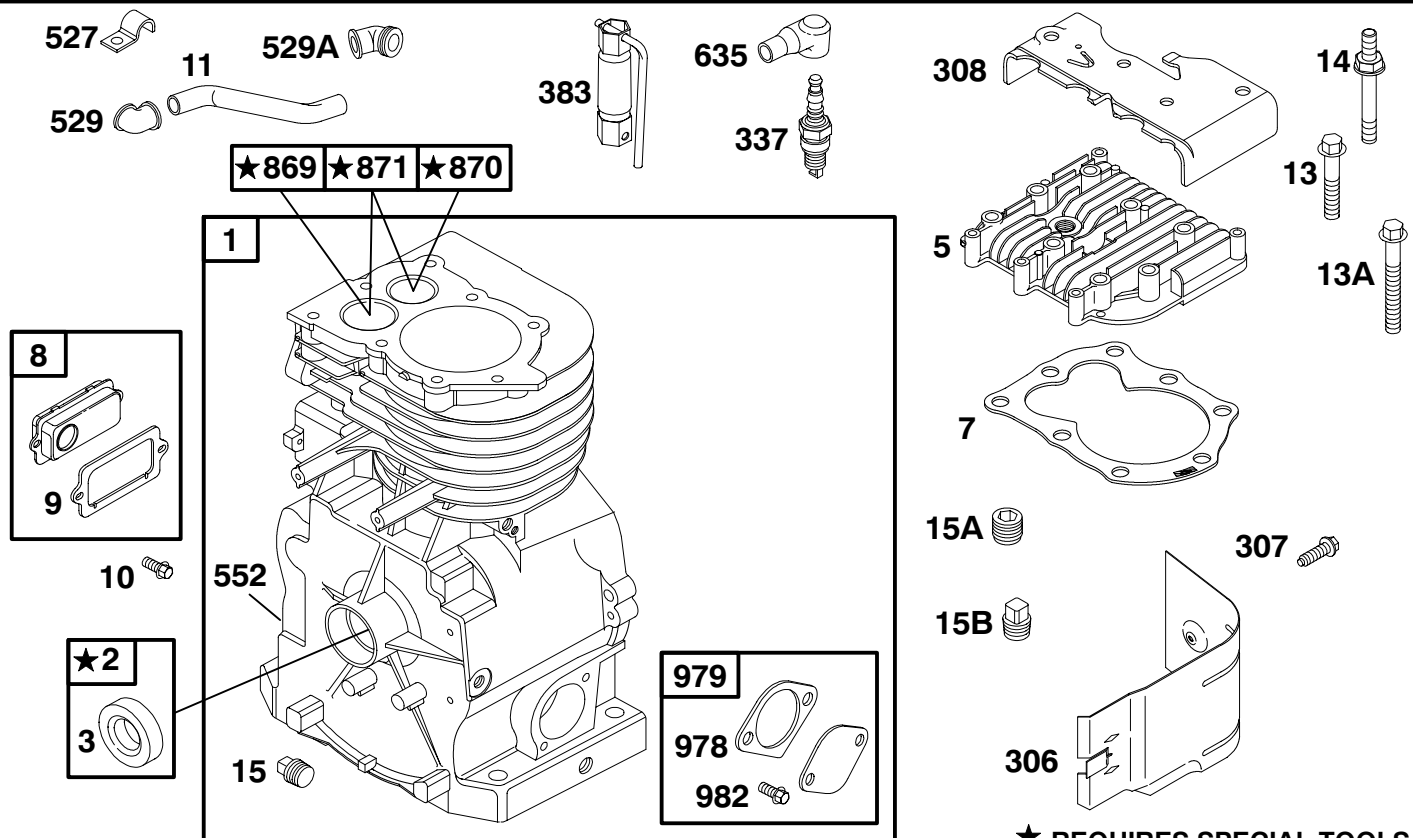
- A. Refer to Engine Model, Type and Code Number that is stamped on the blower housing of engine. Engine type numbers such as 0123 01 are listed only as 0123 in most instances. The two digits (01 or 02, etc.) to the right of the space may be required for more accurate parts identification in some instances. Select the Illustrated Parts List covering the correct Model Series and Type Number.
- B. Refer to the Illustrations and compare the original part with Illustration. The number next to the illustration is the Reference Number. Assemblies include all parts shown in frames. All parts shown in assembly frames having individual reference numbers can be purchased separately.
- C. After the Reference Number has been identified, refer to the Numerical text, where Reference and Primary Part Number are listed. **THE PRIMARY PART IS USED ON ALL TYPE NUMBERS EXCEPT THOSE TYPE NUMBERS UNDER "NOTE."**
- D. If a "Note" appears below the Primary Part Number, it means that this part differs from the Primary Part for certain types. If your Type number is listed under "Note," order the part referred to at the "Note."
- E. If your Engine Type Number does not appear after any part number listed under "Note," use the Primary Part Number.
- F. For Engine Type Numbers not covered by this book, check other Parts Lists having the same engine model or contact your source of supply.

PRINTED IN U.S.A.



COPYRIGHT by BRIGGS & STRATTON CORPORATION
All rights reserved. No part of this material may be reproduced or transmitted, in any form or by any means, electronic or mechanical, including photocopying, recording or by any information storage and retrieval system, without permission in writing from Briggs & Stratton Corporation.

133200 to 133299



1019 LABEL KIT

1058 OWNER'S MANUAL

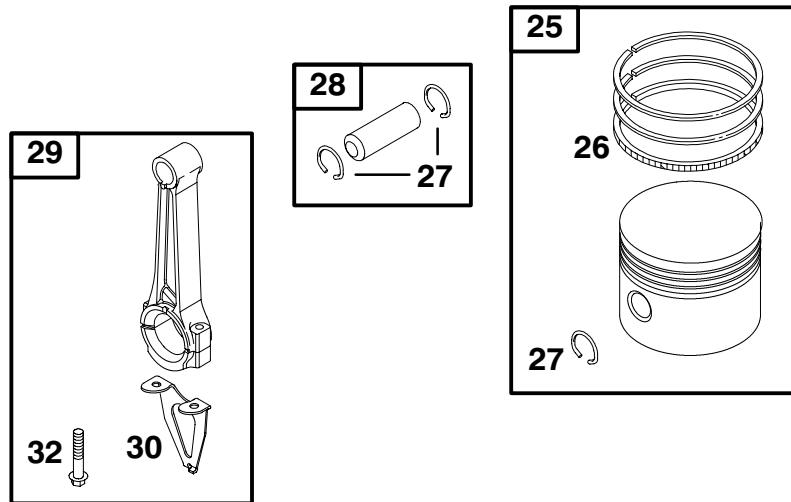
★ REQUIRES SPECIAL TOOLS TO INSTALL. SEE REPAIR INSTRUCTION MANUAL.

REF. NO.	PART NO.	DESCRIPTION	REF. NO.	PART NO.	DESCRIPTION	REF. NO.	PART NO.	DESCRIPTION
1	495133	Cylinder Assembly	15B	94687	Plug-Oil Drain (Magnetic)	871	262001	Bushing-Valve Guide (Exhaust Valve)
2	399268	Kit-Bushing/Seal (Magneto Side)	306	694514	Shield-Cylinder	----- Note -----		
3	★299819	Seal-Oil (Magneto Side)	307	94680	Screw (Cylinder Shield)	63709		Bushing-Valve Guide (Intake Valve)
5	214040	Head-Cylinder	308	691193	Cover-Cylinder Head	978	★273326	Gasket-Oil Gard®
7★	272157	Gasket-Cylinder Head	337	802592	Sparkplug (Resistor Type)	979	691382	Cover-Oil Gard®
8	495774	Breather Assembly	----- Note -----			982	690531	Screw (Oil Gard® Cover)
9★	27549	Gasket-Breather		492167	Sparkplug	1019	491102	Kit-Label
10	691666	Screw (Breather Assembly)	383	89838	Wrench-Sparkplug	1058	274874	Owner's Manual (Emission Engines)
11	231550	Tube-Breather	527	223786	Clamp-Tube	----- Note -----		
13	94221	Screw (Cylinder Head, 2 1/8" Long)	529	67838	Grommet (90 Degree)	272646		Owner's Manual (Non Emission Engines)
13A	94679	Screw (Cylinder Head, 2 1/2" Long)	529A	66578	Grommet (120 Degree)			
14	691690	Stud (Cylinder Head)	552	690508	Bushing-Governor Crank			
15	94916	Plug-Oil Drain	635	66538	Boot-Sparkplug			
15A	94886	Plug-Oil Drain (Hex. Socket)	869	211787	Seat-Valve (Intake)			
			870	263094	Seat-Valve (Exhaust)			

★ Included in Engine Gasket Set-Ref. No. 358.

● Included in Carburetor Overhaul Kit-Ref. No. 121.

Included in Valve Gasket Set-Ref. No. 1095.

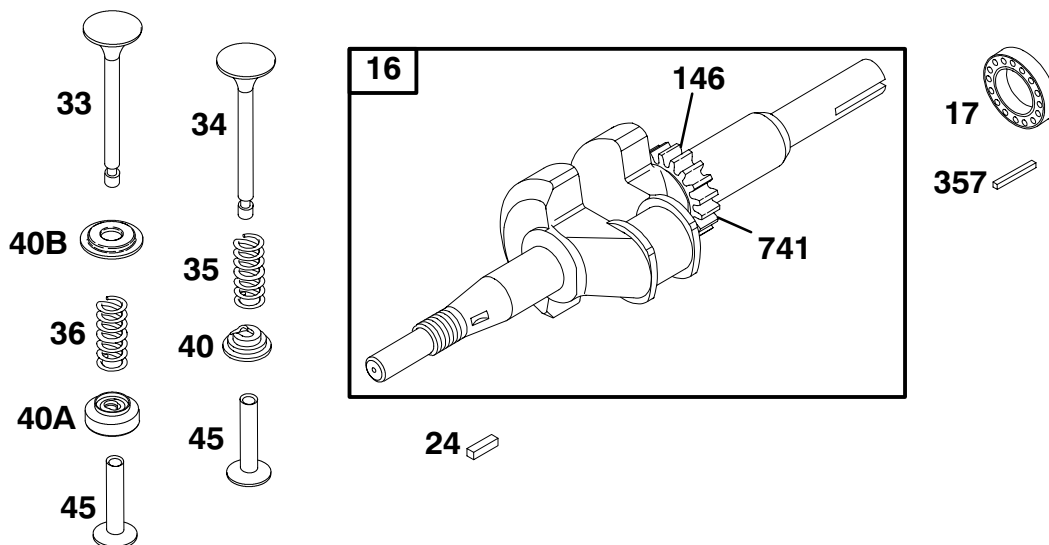


REF. NO.	PART NO.	DESCRIPTION	REF. NO.	PART NO.	DESCRIPTION	REF. NO.	PART NO.	DESCRIPTION
25	393819	Piston Assembly (Standard) ----- Note ----- 393820 Piston Assembly (.010" O.S.) 393821 Piston Assembly (.020" O.S.) 393822 Piston Assembly (.030" O.S.)	26	399067	Ring Set (Standard) ----- Note ----- 399014 Ring Set (.010" O.S.) 399015 Ring Set (.020" O.S.) 399016 Ring Set (.030" O.S.)	27	26026	Lock-Piston Pin
						28	298909	Pin-Piston (Standard) ----- Note ----- 298908 Pin-Piston (.005" O.S.)
						29	299430	Rod-Connecting (Standard) ----- Note ----- 390459 Rod-Connecting (.020" Undersize)
						30	221890	Dipper-Connecting Rod
						32	94699	Screw (Connecting Rod)

★ Included in Engine Gasket Set-Ref. No. 358.
● Included in Carburetor Overhaul Kit-Ref. No. 121.

Included in Valve Gasket Set-Ref. No. 1095.

133200 to 133299



REF. NO.	PART NO.	DESCRIPTION	REF. NO.	PART NO.	DESCRIPTION	REF. NO.	PART NO.	DESCRIPTION
16	495645	Crankshaft ----- Note ----- 397095 Crankshaft Used on Type No(s). 0001, 0009, 0024, 0027, 0049, 0063, 0102, 0112, 0324, 0349, 1012, 1024, 1049, 1063, 1130. 397103 Crankshaft Used on Type No(s). 0119, 0124, 0524. 492088 Crankshaft Used on Type No(s). 0019, 0103, 0113, 0154, 0156, 0159, 1156. 494035 Crankshaft Used on Type No(s). 0116, 0131, 1131. 495642 Crankshaft Used on Type No(s). 0008, 0125. 495643 Crankshaft Used on Type No(s). 0007, 0014, 0038, 0061, 0115, 0138, 0148, 0338, 1014, 1038. 495644 Crankshaft Used on Type No(s). 0011, 0035, 0062, 0091, 0117, 0123, 0146, 0335, 1035. 495649 Crankshaft Used on Type No(s). 0060, 0120, 0121,			0122, 0127, 0137, 0142, 0360, 0522, 0525, 0526, 1060. 499764 Crankshaft Used on Type No(s). 0140. 692142 Crankshaft Used on Type No(s). 0522, 0525, 1125.			0123, 0125, 0135, 0150, 0156, 0157, 1010, 1014, 1040, 1063, 1064, 1156.
			17	494874	Bearing-Ball (PTO Side)	40	93312	Retainer-Valve (Intake)
			24	222698	Key-Flywheel	40A	691367	Retainer-Valve (Exhaust Rotocoil)
			33	262464	Valve-Exhaust ----- Note ----- 211119 Valve-Exhaust Used on Type No(s). 0010, 0011, 0014, 0019, 0027, 0040, 0061, 0062, 0063, 0064, 0115, 0116, 0123, 0125, 0135, 0150, 0156, 0157, 1010, 1014, 1040, 1063, 1064, 1156.			----- Note ----- 93312 Retainer-Valve (Exhaust) Used on Type No(s). 0010, 0011, 0014, 0019, 0027, 0040, 0061, 0062, 0063, 0064, 1010, 1014, 0115, 0116, 0123, 0125, 0135, 1040, 0150, 0156, 0157, 1063, 1156.
			34	261044	Valve-Intake	40B	225257	Retainer-Valve (Exhaust)
			35	260552	Spring-Valve (Intake)	45	260642	Tappet-Valve
			36	262750	Spring-Valve (Exhaust) ----- Note ----- 26478 Spring-Valve (Exhaust) Used on Type No(s). 0010, 0011, 0014, 0019, 0027, 0040, 0061, 0062, 0063, 0064, 0115, 0116,	146	94388	Key-Timing (Used with Timing Gear 262992) ----- Note ----- 230978 Key-Timing (Used with Timing Gear 261696)
						357	91539	Key-Drive Pulley (1 1/2" Long)
						741	262992	Timing Gear (Uses Woodruff Key) ----- Note ----- 261696 Gear-Timing (Uses Locating Pin)

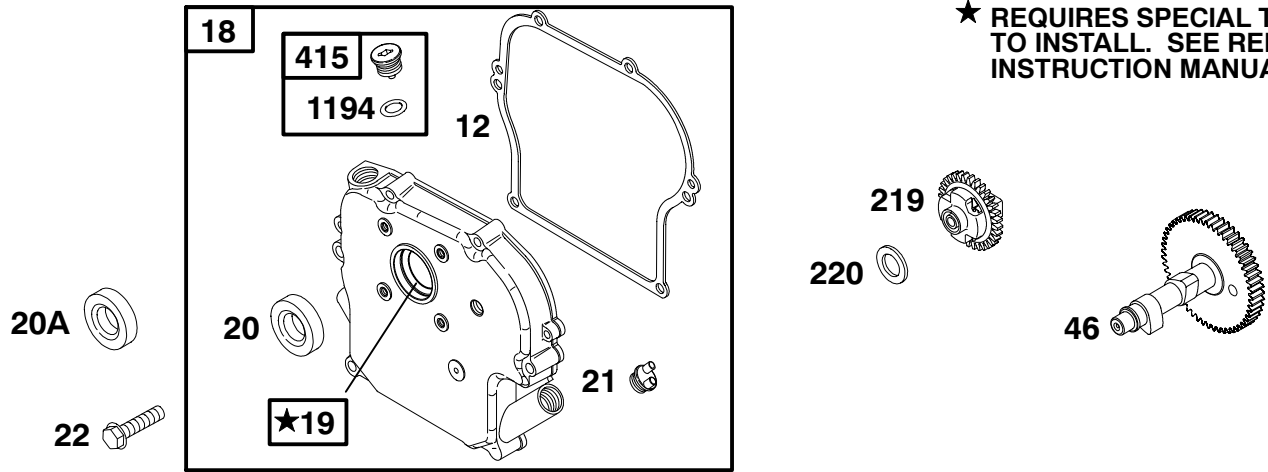
★ Included in Engine Gasket Set-Ref. No. 358.

● Included in Carburetor Overhaul Kit-Ref. No. 121.

Included in Valve Gasket Set-Ref. No. 1095.

133200 to 133299

★ REQUIRES SPECIAL TOOLS TO INSTALL. SEE REPAIR INSTRUCTION MANUAL.



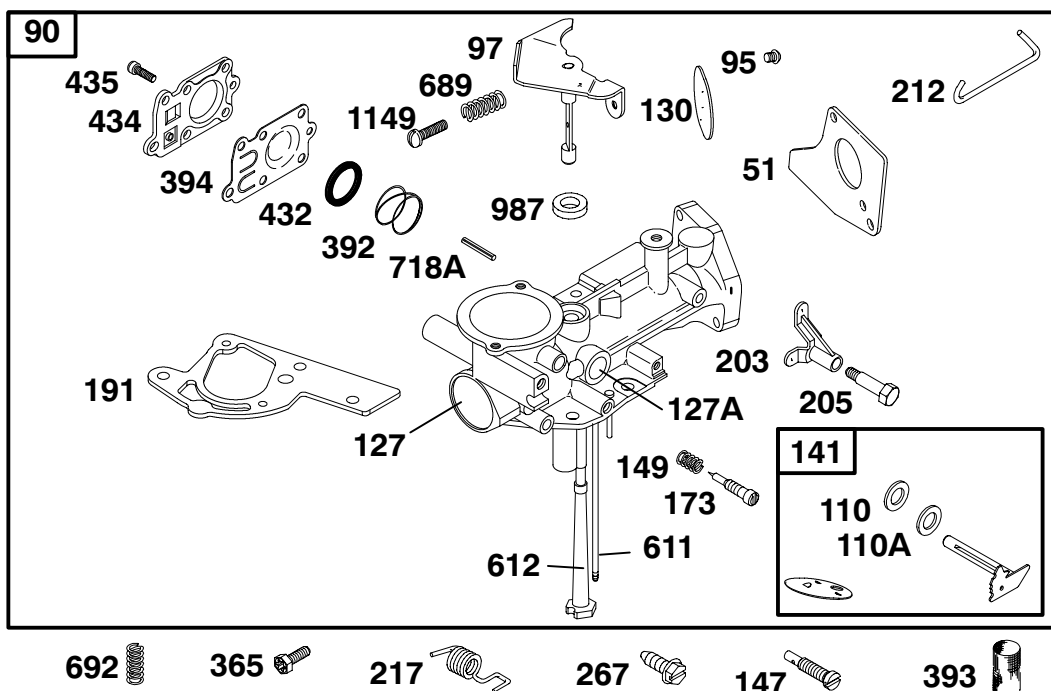
REF. NO.	PART NO.	DESCRIPTION	REF. NO.	PART NO.	DESCRIPTION	REF. NO.	PART NO.	DESCRIPTION
12	★270080	Gasket-Crankcase (.015", Standard) ----- Note ----- ★270125 Gasket-Crankcase (.005") ★270126 Gasket-Crankcase (.009")			0159, 0324, 0349, 0360, 0522, 0525, 0526, 1024, 1049, 1060, 1063, 1125, 1131. 493914 Cover-Crankcase Used on Type No(s). 0019, 0103. 494044 Cover-Crankcase Used on Type No(s). 0124, 0156, 0524, 1156.	22	94682	Screw (Crankcase Cover)
18	694319	Cover-Crankcase (Used After Code Date 99031400). ----- Note ----- 495641 Cover-Crankcase (Used Before Code Date 99031500). 694377 Cover-Crankcase (Used After Code Date 99031400). Used on Type No(s). 1012, 1024, 1049, 1060, 1063, 1125, 1130, 1131. 493916 Cover-Crankcase (Used Before Code Date 99031500). Used on Type No(s). 0001, 0009, 0024, 0027, 0049, 0060, 0063, 0102, 0112, 0113, 0116, 0119, 0120, 0121, 0122, 0127, 0131, 0137, 0140, 0142, 0154,	19	495660	Kit-Bushing/Seal (PTO Side)	46	691164	Camshaft (Used After Code Date 96112400). ----- Note ----- 212733 Camshaft (Used Before Code Date 96112500). 691166 Camshaft Used on Type No(s). 0019, 0103.
			20	★495307	Seal-Oil (PTO Side, 1 5/8" O.D.) ----- Note ----- 294606 Seal-Oil (PTO Side, 1 3/8" O.D.) Used on Type No(s). 0019, 0103, 0124, 0156, 0524, 1156. 391484 Seal-Oil (PTO Side, 1" O.D.) Used on Type No(s). 0019, 0103.	219	494845	Gear-Governor
			20A	495330	Seal-Oil (PTO Side, 1 5/8" O.D.) Used on Type No(s). 0116, 0131, 0159, 1131.	220	221551	Washer (Governor Gear)
			21	281658	Cap-Oil Fill	415	691363	Plug
						1194	★271485	O-Ring Seal (Plug)

★ Included in Engine Gasket Set-Ref. No. 358.

● Included in Carburetor Overhaul Kit-Ref. No. 121.

Included in Valve Gasket Set-Ref. No. 1095.

133200 to 133299

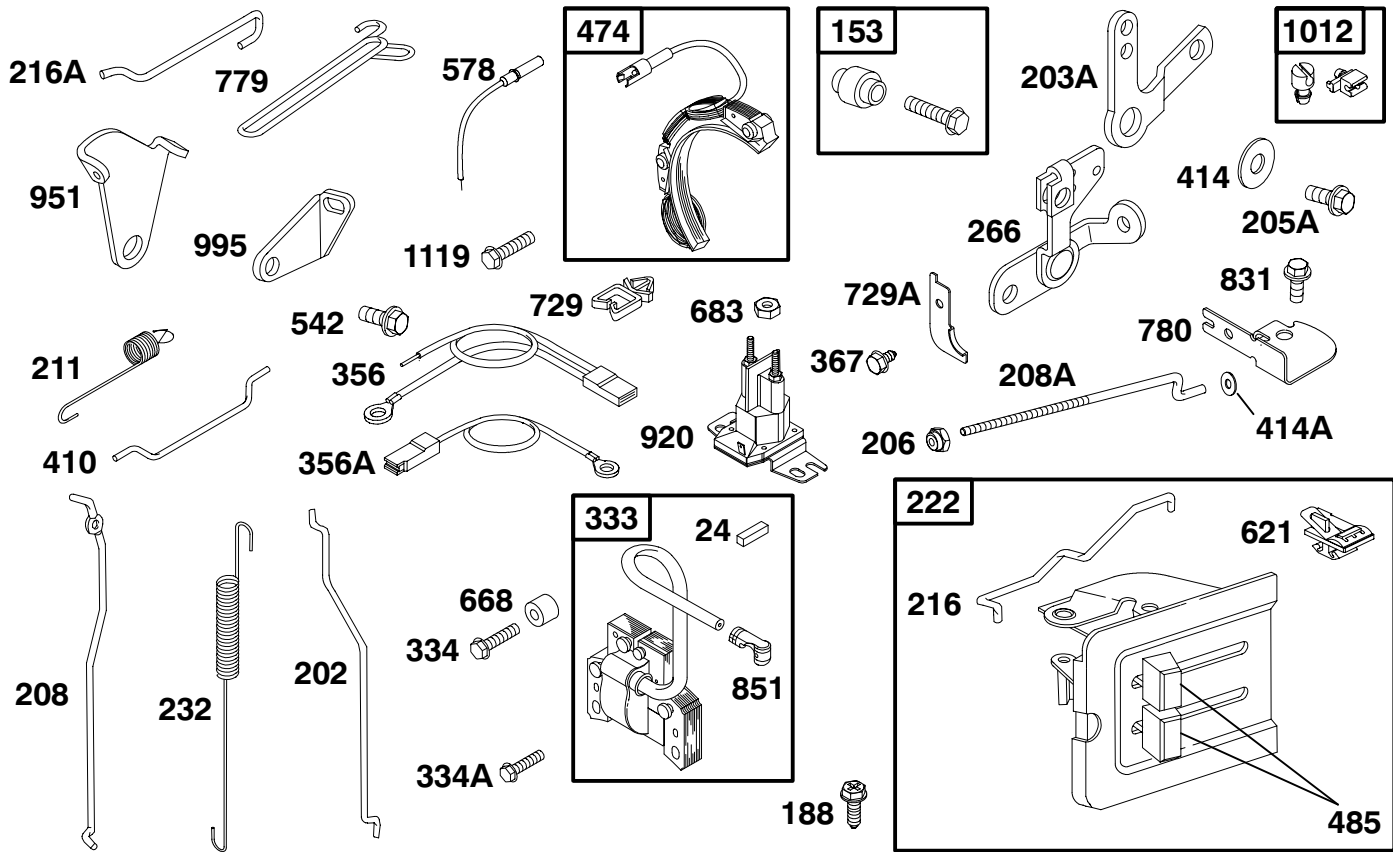


REF. NO.	PART NO.	DESCRIPTION	REF. NO.	PART NO.	DESCRIPTION	REF. NO.	PART NO.	DESCRIPTION
51	★273113	Gasket-Intake (2 Required)	141	497230	Kit-Choke Shaft (Used After Code Date 94083100).	392	262328	Spring-Pump Diaphragm
90	495426	Carburetor ----- Note ----- 498298 Carburetor Used on Type No(s). 0313, 0324, 0335, 0336, 0338, 0349, 0350, 0360, 0514, 0522, 0524, 0525, 0526, 1010, 1013, 1014, 1015, 1024, 1035, 1036, 1038, 1040, 1049, 1050, 1060, 1063, 1064, 1131, 1151, 1143, 1156, 1163.			----- Note ----- 491177 Kit-Choke Shaft (Used Before Code Date 94090100).	393	691213	Screen-Carburetor
95	93499	Screw (Throttle Valve)	147	691250	Jet-Pilot (Standard) Used on Type No(s). 0324, 0335, 0336, 0338, 0349, 0350, 0360, 0514.	394	★272538	Diaphragm-Carburetor (Pump)
97	497600	Shaft-Throttle			----- Note ----- 692725 Jet-Pilot (High Altitude)	432	221377	Cap-Spring
110	270382	Washer (Choke Shaft, Felt)	149	26336	Spring-Needle Valve	434	213963	Cover-Diaphragm
110A	690401	Washer (Choke Shaft, Brass)	173	★231533	Valve-Idle Mixture	435	93141	Screw (Diaphragm Cover)
127	220352	Plug-Welch (1 1/16" Diameter)	191	★272489	Gasket-Fuel Tank	611	231068	Pipe-Fuel
127A	223789	Plug-Welch 3/64" Diameter)	203	280720	Crank-Bell (Standard Nylon)	612	391813	Tube-Pick Up (Uses Clip Spring)
130	223793	Valve-Throttle	205	231520	Screw (Bell Crank, 1 3/32" Long)	689	260575	Spring-Friction (Idle Screw)
			212	262270	Link-Throttle	692	690572	Spring-Detent Used on Type No(s). 0313, 0324, 0335, 0336, 0338, 0349, 0350, 0360, 0514, 0522, 0524, 0525, 0526, 1010, 1013, 1014, 1015, 1024, 1035, 1036, 1038, 1040, 1049, 1050, 1060, 1063, 1064, 1131, 1151, 1156, 1163.
			217	262281	Spring-Choke Return	718A	690296	Pin-Locating (Pump Cover)
			267	691082	Screw (Casing Clamp)	987	695273	Seal-Throttle Shaft (5/16" Thick)
			365	94913	Screw (Carburetor)	1149	93527	Screw (Throttle Shaft)

★ Included in Engine Gasket Set-Ref. No. 358.

● Included in Carburetor Overhaul Kit-Ref. No. 121.

Included in Valve Gasket Set-Ref. No. 1095.



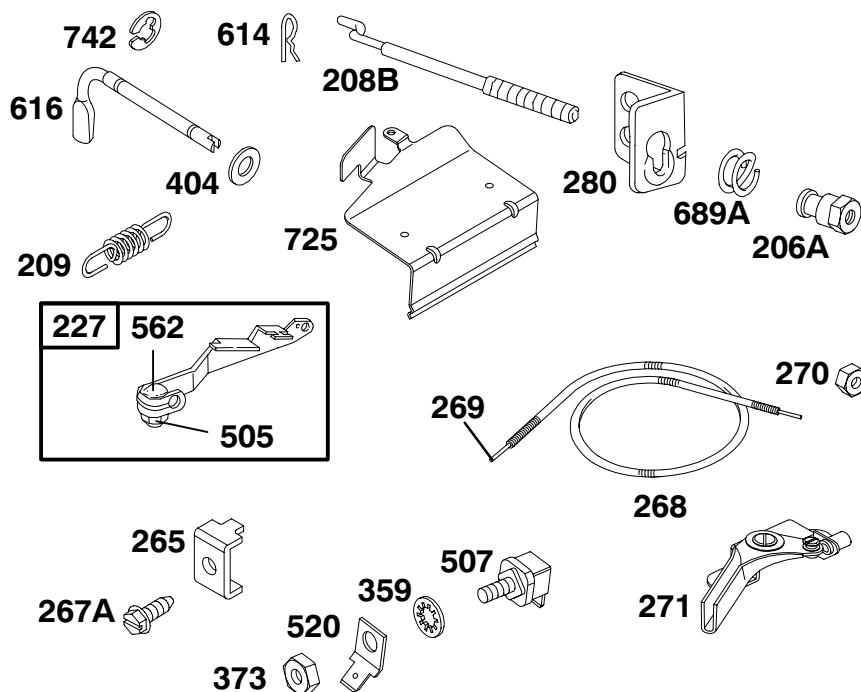
REF. NO.	PART NO.	DESCRIPTION	REF. NO.	PART NO.	DESCRIPTION	REF. NO.	PART NO.	DESCRIPTION
	24	222698 Key-Flywheel		333	397358 Armature-Magneto		542	94897 Screw (Link Bracket)
	153	490589 Kit-Collar/Screw		334	690306 Screw (Magneto Armature) (Used on Models with Electric Start)		578	393422 Wire Assembly
	188	94924 Screw (Control Bracket)		334A	93414 Screw (Magneto Armature)		621	396847 Switch-Stop
	202	262280 Link-Mechanical Governor		356	398808 Wire-Stop (2 Wire, 1 Ring Terminal, 1 Bare Wire and Insulated Blade Terminal)		668	690531 Spacer (Used on Models with Electric Start)
	203A	223813 Crank-Bell		356A	690650 Wire-Stop (1 Wire, Ring and Male Blade Terminals)		683	92278 Nut (Starter Solenoid)
	205A	691683 Screw (Bell Crank)		367	94680 Screw (Wire Clip)		729	690588 Clip-Wire (Nylon)
	206	690325 Nut (Governor Control Rod)		410	691274 Link-Control (Manual)		729A	690471 Clip-Wire (Steel)
	208	262279 Rod-Governor Control		414	220982 Washer (Bell Crank)		779	262570 Link-Bell Crank
	208A	262321 Rod-Governor Control (Governor Idle Speed)		414A	221198 Washer (Governor Idle Control Rod)		780	691211 Anchor-Spring
	211	263031 Spring-Governed Idle		474	494254 Alternator		831	691099 Screw (Spring Anchor)
	216	262359 Link-Choke (Manual)		485	280715 Knob-Control		851	493880 Terminal-Sparkplug
	216A	691271 Link-Choke (Choke A Matic)					920	807829 Solenoid-Starter
	222	490649 Bracket-Control (Panel)					951	690436 Lever-Choke (Choke A Matic)
	232	262310 Spring-Governor Link					995	225057 Bracket-Link
	266	691414 Control-Throttle (Remote Governor/Idle)					1012	490507 Retainer-Link
							1119	93621 Screw (Alternator)

★ Included in Engine Gasket Set-Ref. No. 358.

● Included in Carburetor Overhaul Kit-Ref. No. 121.

Included in Valve Gasket Set-Ref. No. 1095.

133200 to 133299

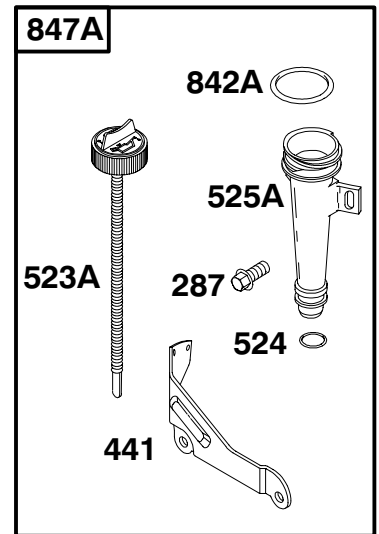
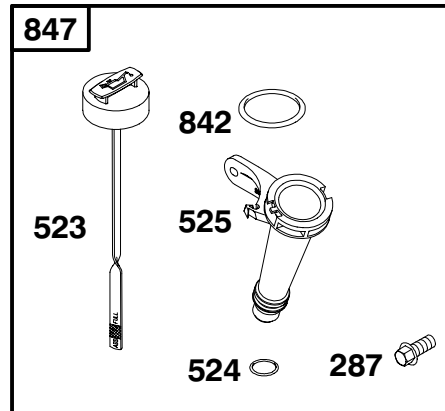
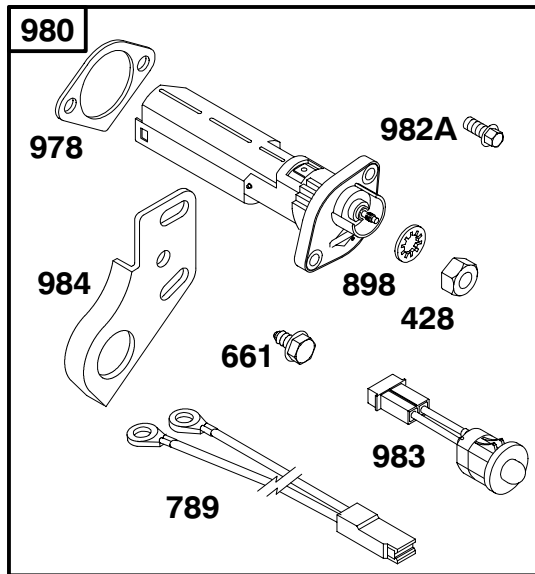


REF. NO.	PART NO.	DESCRIPTION	REF. NO.	PART NO.	DESCRIPTION	REF. NO.	PART NO.	DESCRIPTION		
206A	231266	Nut (Governor Control Rod)				270	63426	Nut (Control Wire Casing)		
208B	262323	Rod-Governor Control			262285		Spring-Governor (Green) Used on Type No(s). 0038, 0116, 0131, 0338, 1038, 1131.	271	290568	Lever-Control
209	262282	Spring-Governor (Red)			269		Wire-Control (Cut to Required Length)	280	691184	Bracket-Rod
		----- Note -----			227	690653	Lever-Governor Control	359	691077	Washer (Ground Terminal)
		262283 Spring-Governor (Black) Used on Type No(s). 0127, 0156, 1012, 1035, 1040, 1050.			265	221535	Clamp-Casing	373	90576	Nut (Ground Terminal)
		690549 Spring-Governor (Blue) Used on Type No(s). 0001, 0020, 0021, 0135, 0150, 0154, 0157, 0313, 0324, 0335, 0336, 0349, 0350, 0360, 0514, 0522, 0524, 0525, 0526, 1002, 1010, 1013, 1015, 1024, 1036, 1049, 1060, 1063, 1064, 1101, 1118, 1125, 1126, 1130, 1143, 1151, 1162.			267A	94906	Screw (Casing Clamp)	404	94927	Washer (Governor Crank)
					268	691072	Casing-Control Wire (Cut to Required Length)	505	691251	Nut (Governor Control Lever)
					269	26099	Wire-Control (Cut to Required Length)	507	398525	Insulator
								520	691084	Terminal-Ground
								562	691119	Bolt (Governor Control Lever)
								614	93306	Pin-Cotter
								616	495243	Crank-Governor
								689A	26855	Spring-Friction (Fixed Speed Control)
								725	690440	Shield-Heat (Fuel Tank)
								742	93307	Retainer-E Ring (Oil Gard® Kit)

★ Included in Engine Gasket Set-Ref. No. 358.

● Included in Carburetor Overhaul Kit-Ref. No. 121.

Included in Valve Gasket Set-Ref. No. 1095.



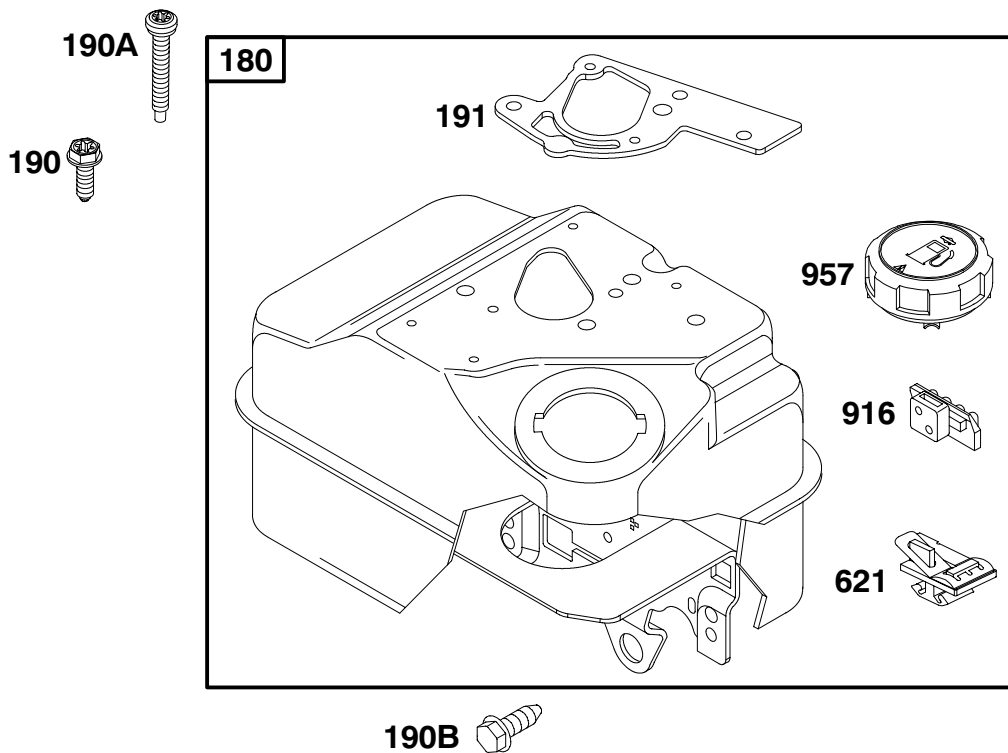
REF. NO.	PART NO.	DESCRIPTION	REF. NO.	PART NO.	DESCRIPTION	REF. NO.	PART NO.	DESCRIPTION
287	94929	Screw (Dipstick Tube, 1 3/8" Long)	525	694379	Tube-Dipstick For Flat Wire Dipstick (Used After Code Date 99031400).	847	694381	Dipstick/Tube Assembly (Without Bracket) (Used After Code Date 99031400).
428	90576	Nut (Oil Gard® Kit)	525A	694531	Tube-Dipstick (For Spring Dipstick) (Used Before Code Date 99031500).	847A	691379	Dipstick/Tube Assembly (With Bracket) (Used Before Code Date 99031500).
441	690448	Bracket-Oil Fill	661	94896	Screw (Oil Gard® Light Bracket)	898	691077	Washer (Oil Gard® Kit)
523	495264	Dipstick (Flat Wire) (Used After Code Date 99031400).	789	398661	Harness-Wiring	978	273326	Gasket-Oil Guard®
523A	691388	Dipstick (Spring) (Used Before Code Date 99031500).	842	★280393	O-Ring Seal (7/8" I.D.) (Used After Code Date 99031400).	980	398182	Kit-Oil Gard®
524	★271485	Seal-Dipstick Tube	842A	★270920	O-Ring Seal (1 3/16" I.D.) (Used Before Code Date 99031500).	982A	690940	Screw (Oil Gard® Kit, 1/2" Long)
						983	398660	Light-Indicator
						984	692340	Bracket-Oil Gard® Light

★ Included in Engine Gasket Set-Ref. No. 358.

● Included in Carburetor Overhaul Kit-Ref. No. 121.

Included in Valve Gasket Set-Ref. No. 1095.

133200 to 133299

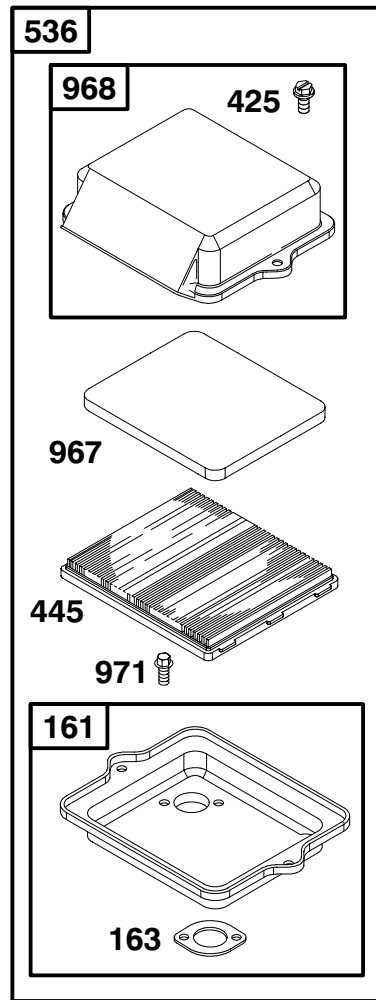


REF. NO.	PART NO.	DESCRIPTION	REF. NO.	PART NO.	DESCRIPTION	REF. NO.	PART NO.	DESCRIPTION
180	495405	Tank-Fuel (3 Quart)	190B	94914	Screw (Fuel Tank, 5/8" Long)	916	280321	Rack-Governor Gear (Black)
190	94924	Screw (Fuel Tank, 3/4" Long)	191	★●272489	Gasket-Fuel Tank	----- Note -----		
190A	94919	Screw (Fuel Tank, 1 5/8" Long)	621	396847	Switch-Stop	690583 Rack-Governor Gear Used on Type No(s). 0020, 0021, 0114.		
						957	494559	Cap-Fuel Tank (Plastic)

★ Included in Engine Gasket Set-Ref. No. 358.

● Included in Carburetor Overhaul Kit-Ref. No. 121.

Included in Valve Gasket Set-Ref. No. 1095.



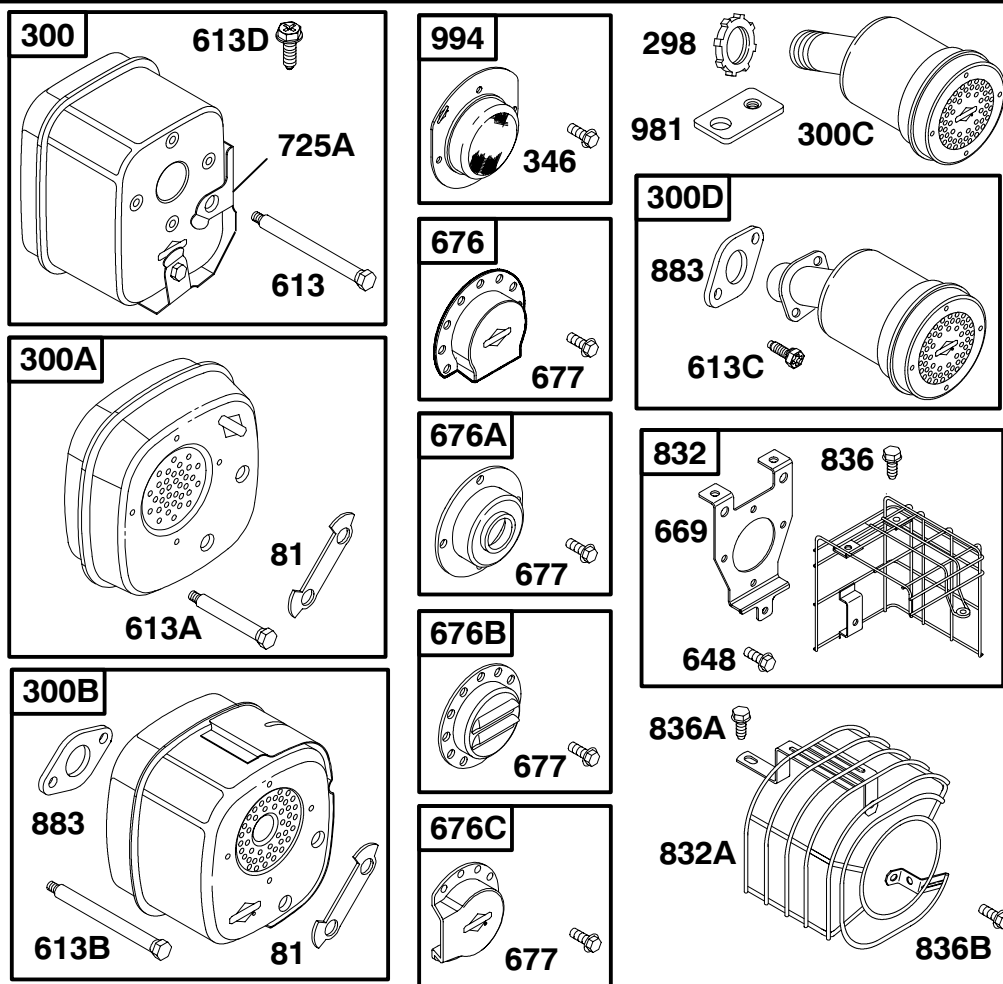
REF. NO.	PART NO.	DESCRIPTION	REF. NO.	PART NO.	DESCRIPTION	REF. NO.	PART NO.	DESCRIPTION
161	492797	Base-Air Cleaner	445	491588	Filter-Air Cleaner Cartridge	968	495872	Cover-Air Cleaner
163 ★	271935	Gasket-Air Cleaner	536	494279	Cleaner-Air	971	94902	Screw (Air Cleaner Base)
425	490073	Screw (Air Cleaner Cover)	967	491435	Filter-Pre Cleaner			

★ Included in Engine Gasket Set-Ref. No. 358.

● Included in Carburetor Overhaul Kit-Ref. No. 121.

Included in Valve Gasket Set-Ref. No. 1095.

133200 to 133299

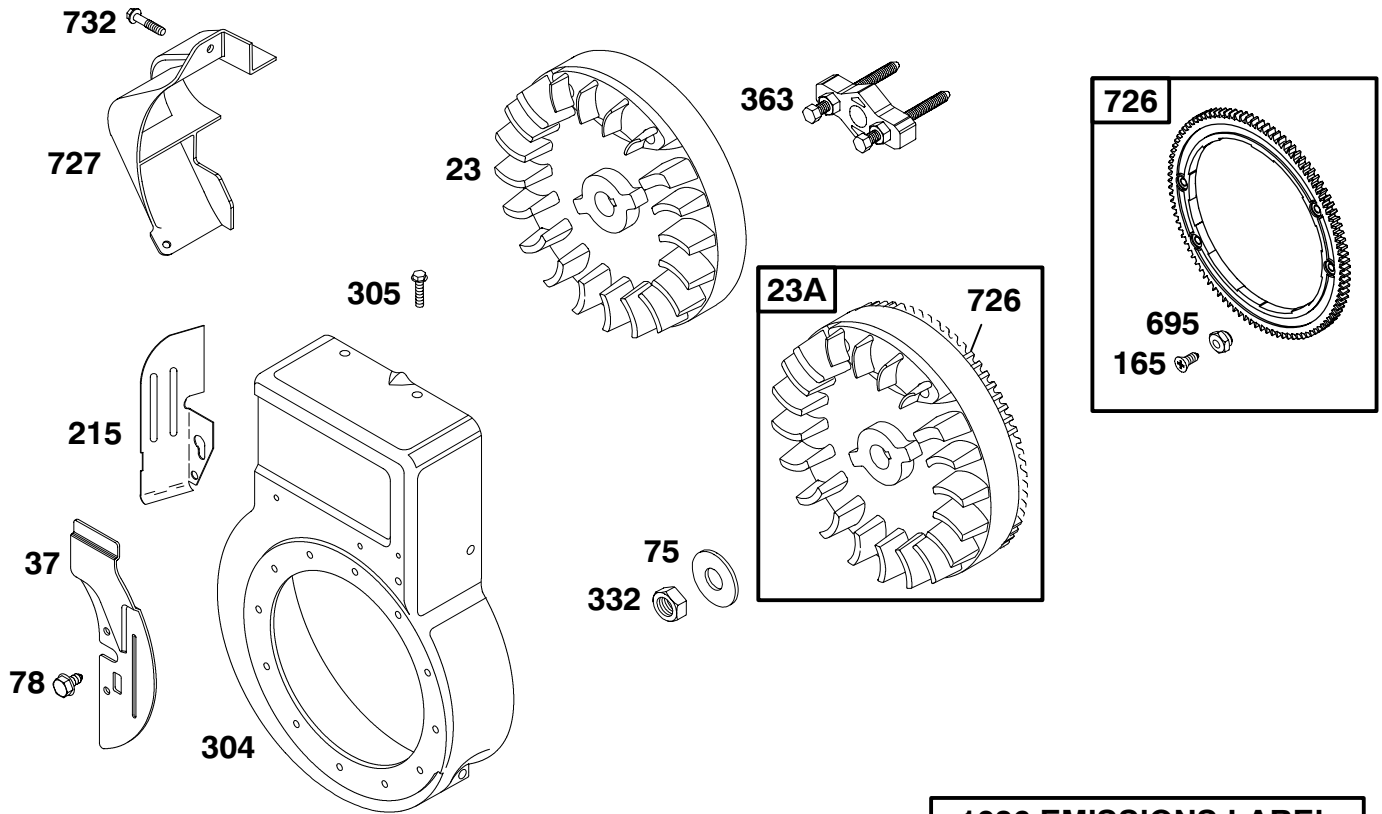


REF. NO.	PART NO.	DESCRIPTION	REF. NO.	PART NO.	DESCRIPTION	REF. NO.	PART NO.	DESCRIPTION
81	222263	Lock-Muffler Screw	613	94054	Screw (Muffler, 4" Long)	677	94896	Screw (Muffler Deflector)
298	261409	Locknut-Muffler/Elbow	613A	93935	Screw (Muffler, 2 1/4" Long)	725A	690466	Shield-Heat
300	396001	Muffler (Super Lo Tone)	613B	94042	Screw (Muffler, 3 1/8" Long)	832	490534	Guard-Muffler (Super Lo Tone)
300A	494585	Muffler (Standard)	613C	94706	Screw (Muffler, 1/2" Long)	832A	690625	Guard-Muffler (Lo Tone)
300B	390918	Muffler (Lo Tone)	613D	94905	Screw (Muffler, 5/8" Long)	836	94874	Screw (Muffler Guard, 3/8" Long)
		----- Note -----	648	94680	Screw (Muffler Guard Bracket)	836A	94786	Screw (Muffler Guard, 7/16" Long)
		391313 Muffler (Lo Tone)	669	690425	Bracket-Muffler Guard	836B	690367	Screw (Muffler Guard, 9/16" Long)
		Used on Type No(s). 0111, 0112, 0151, 1151.	676	393757	Deflector-Muffler (Side Out)	883	★272309	Gasket-Exhaust
300C	496892	Muffler (Round Lo Tone, 20 Degree Pipe)	676A	395700	Deflector-Muffler (Direct Out)	981	690408	Brace-Muffler
300D	496892	Muffler (Round Lo Tone)	676B	393758	Deflector-Muffler (Louvered)	994	399541	Arrestor-Spark
346	94896	Screw (Spark Arrestor)	676C	494423	Deflector-Muffler (Side Out, Shallow)			

★ Included in Engine Gasket Set-Ref. No. 358.

● Included in Carburetor Overhaul Kit-Ref. No. 121.

Included in Valve Gasket Set-Ref. No. 1095.



1036 EMISSIONS LABEL

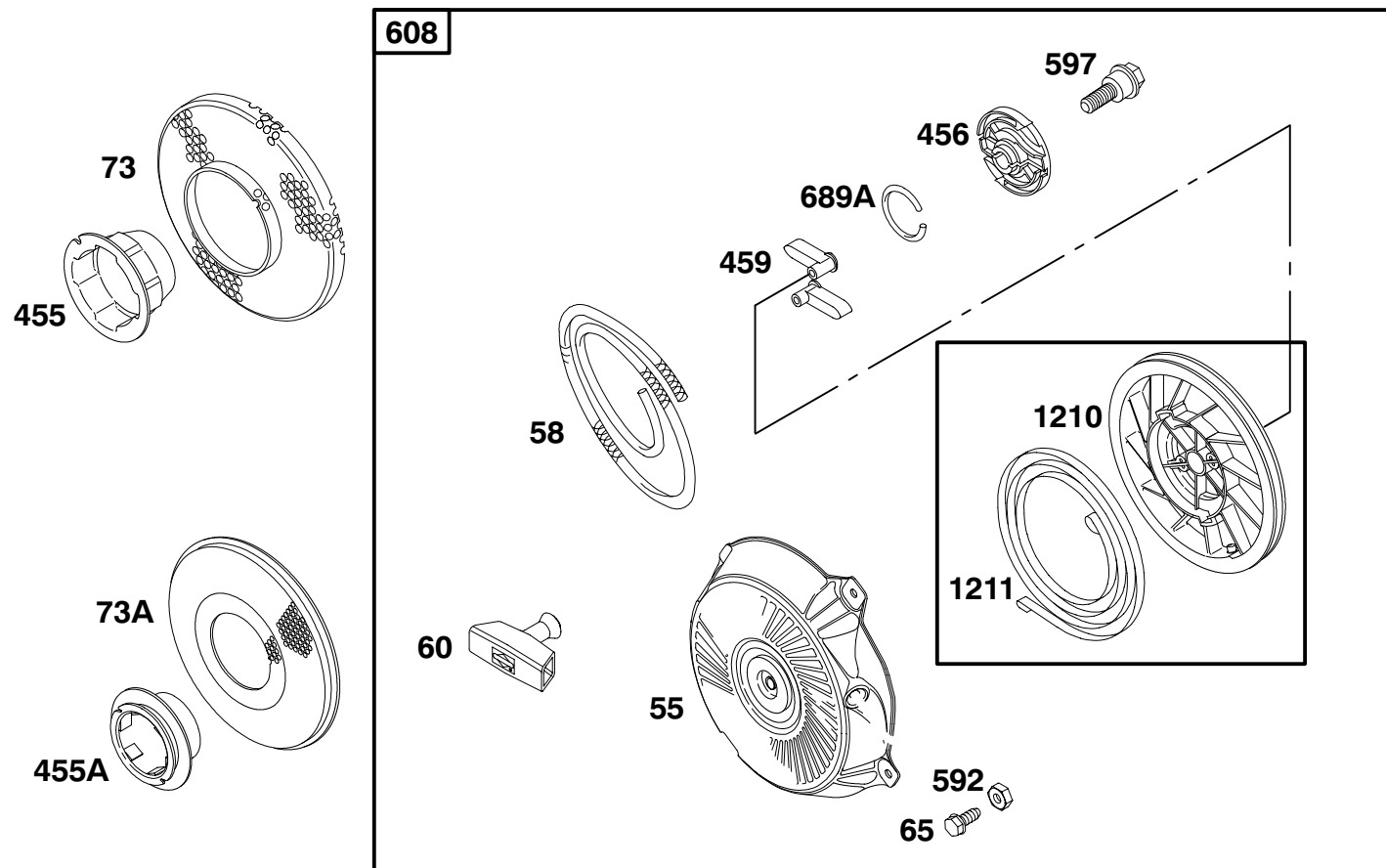
REF. NO.	PART NO.	DESCRIPTION	REF. NO.	PART NO.	DESCRIPTION	REF. NO.	PART NO.	DESCRIPTION
23	399673	Flywheel (Rewind Start)	304	495759	Housing-Blower (Black, Rewind Start Engines)	727	690600	Cover-Starter Drive
23A	690820	Flywheel (Electric Start)			----- Note -----	732	691097	Screw (Starter Drive Cover)
37	222443	Guard-Flywheel			691410 Housing-Blower (Red, Rewind Start Engines)	1036	695100	Label-Emissions (Used After Code Date 9909300).
75	225136	Washer (Flywheel)						----- Note -----
78	94680	Screw (Flywheel Guard)			495760 Housing-Blower (Black, Electric Start Engines)			694517 Label-Emissions (Used After Code Date 98123100 and Before Code Date 99010100).
165	693148	Nut (Ring Gear)	305	94786	Screw (Blower Housing)			499345 Label-Emissions (Used After Code Date 97052500 and Before Code Date 99010100).
215	223886	Guide-Air (Rewind Start Engines)	332	94877	Nut (Flywheel)			499344 Label-Emissions (Used Before Code Date 97052600).
		----- Note -----	363	19069	Flywheel Puller			
		690472 Guide-Air (Electric Start Engines)	695	693149	Screw (Ring Gear)			
			726	495765	Gear-Ring			

★ Included in Engine Gasket Set-Ref. No. 358.

● Included in Carburetor Overhaul Kit-Ref. No. 121.

Included in Valve Gasket Set-Ref. No. 1095.

133200 to 133299

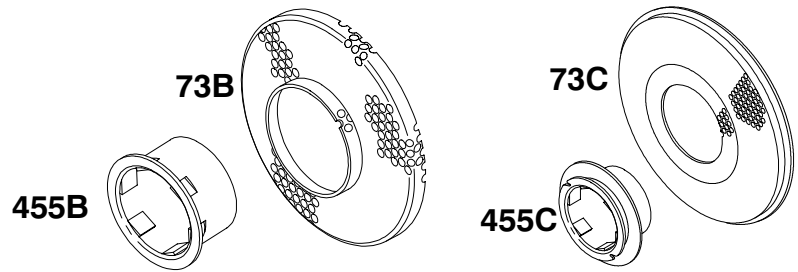
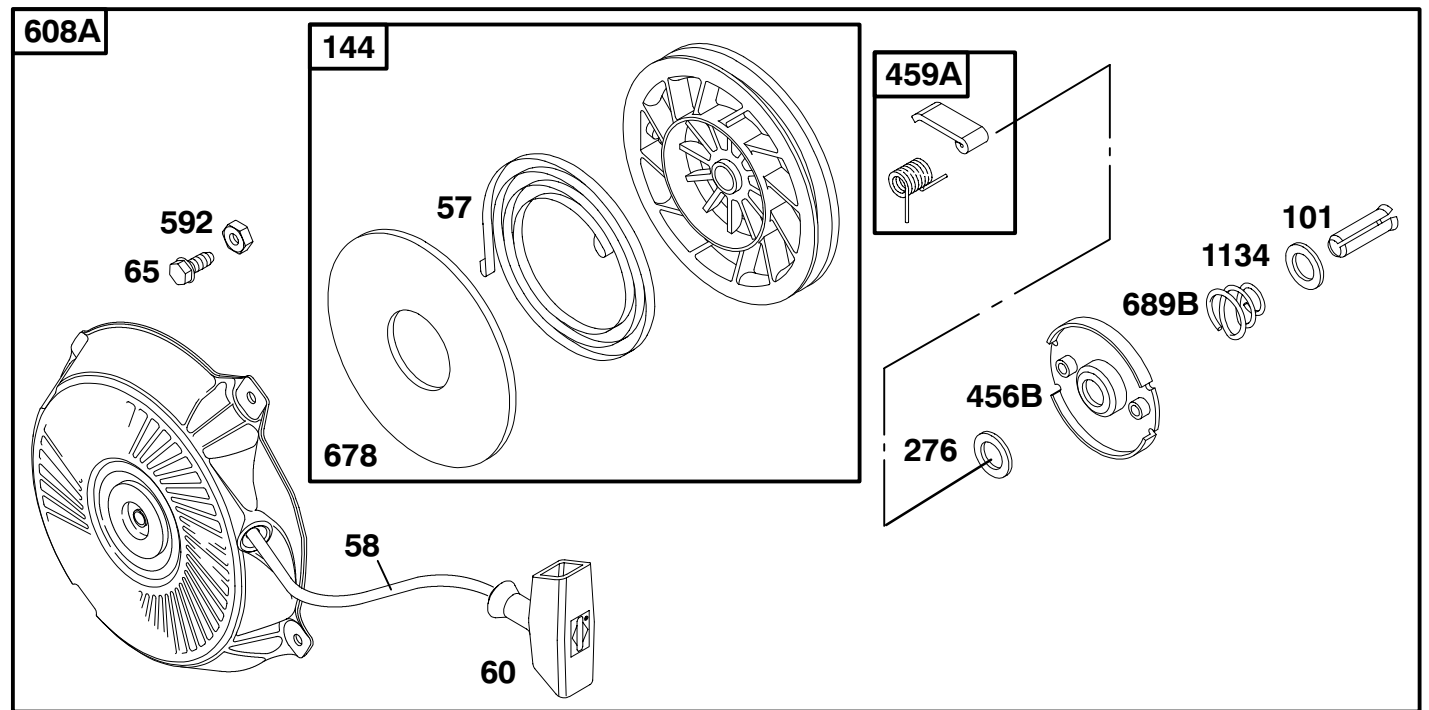


REF. NO.	PART NO.	DESCRIPTION	REF. NO.	PART NO.	DESCRIPTION	REF. NO.	PART NO.	DESCRIPTION
55	691421	Housing-Rewind Starter	455	691219	Cup-Flywheel (With Ring) (Used After Code Date 95020300).	597	94943	Screw (Pawl Friction Plate)
58	691921	Rope-Starter (Cut To Required Length)	455A	691426	Cup-Flywheel (Without Ring) (Used After Code Date 95010800).	608	497830	Starter-Rewind
60	281101	Grip-Starter Rope	456	281503	Plate-Pawl Friction	689A	263073	Spring-Friction (Ratchet Pawl)
65	94904	Screw (Rewind Starter)	459	281505	Pawl-Ratchet	1210	498144	Pulley/Spring Assembly (Pulley)
73	691225	Screen-Rotating (With Ring) (Used After Code Date 95020300).	592	94908	Nut (Rewind Starter)	1211	498144	Pulley/Spring Assembly (Spring)
73A	691226	Screen-Rotating (Without Ring) (Used After Code Date 95010800).						

★ Included in Engine Gasket Set-Ref. No. 358.

● Included in Carburetor Overhaul Kit-Ref. No. 121.

Included in Valve Gasket Set-Ref. No. 1095.



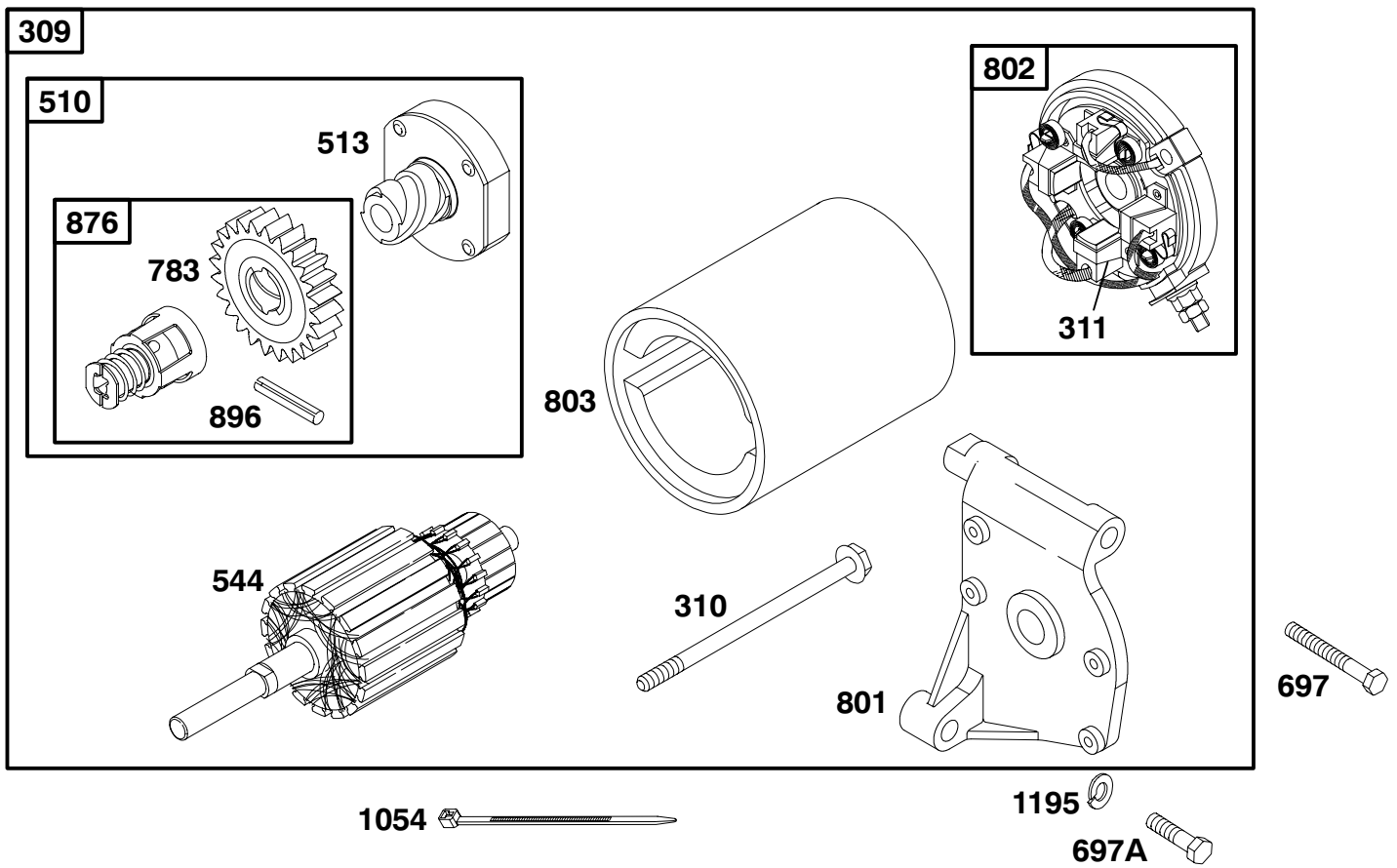
REF. NO.	PART NO.	DESCRIPTION	REF. NO.	PART NO.	DESCRIPTION	REF. NO.	PART NO.	DESCRIPTION
57	491889	Spring-Rewind Starter	101	262626	Pin-Shaft	456B	224321	Plate-Pawl Friction
58	693389	Rope-Starter (70" Long, Cut To Required Length)	144	493824	Pulley/Spring Assembly	459A	492833	Pawl-Ratchet
60	281101	Grip-Starter Rope	276	280973	Washer-Sealing	592	94908	Nut (Rewind Starter)
65	94904	Screw (Rewind Starter)	455B	224250	Cup-Flywheel (Without Ring) (Used Before Code Date 95020200).	608A	495766	Starter-Rewind
73B	224883	Screen-Rotating (Without Ring) (Used Before Code Date 95020200).	455C	494770	Cup-Flywheel (With Ring) (Used Before Code Date 95020200).	678	224278	Spacer-Rewind
73C	224974	Screen-Rotating (With Ring) (Used Before Code Date 95020200).				689B	262625	Spring-Friction
						1134	224322	Washer (Pawl Friction Plate)

★ Included in Engine Gasket Set-Ref. No. 358.

● Included in Carburetor Overhaul Kit-Ref. No. 121.

Included in Valve Gasket Set-Ref. No. 1095.

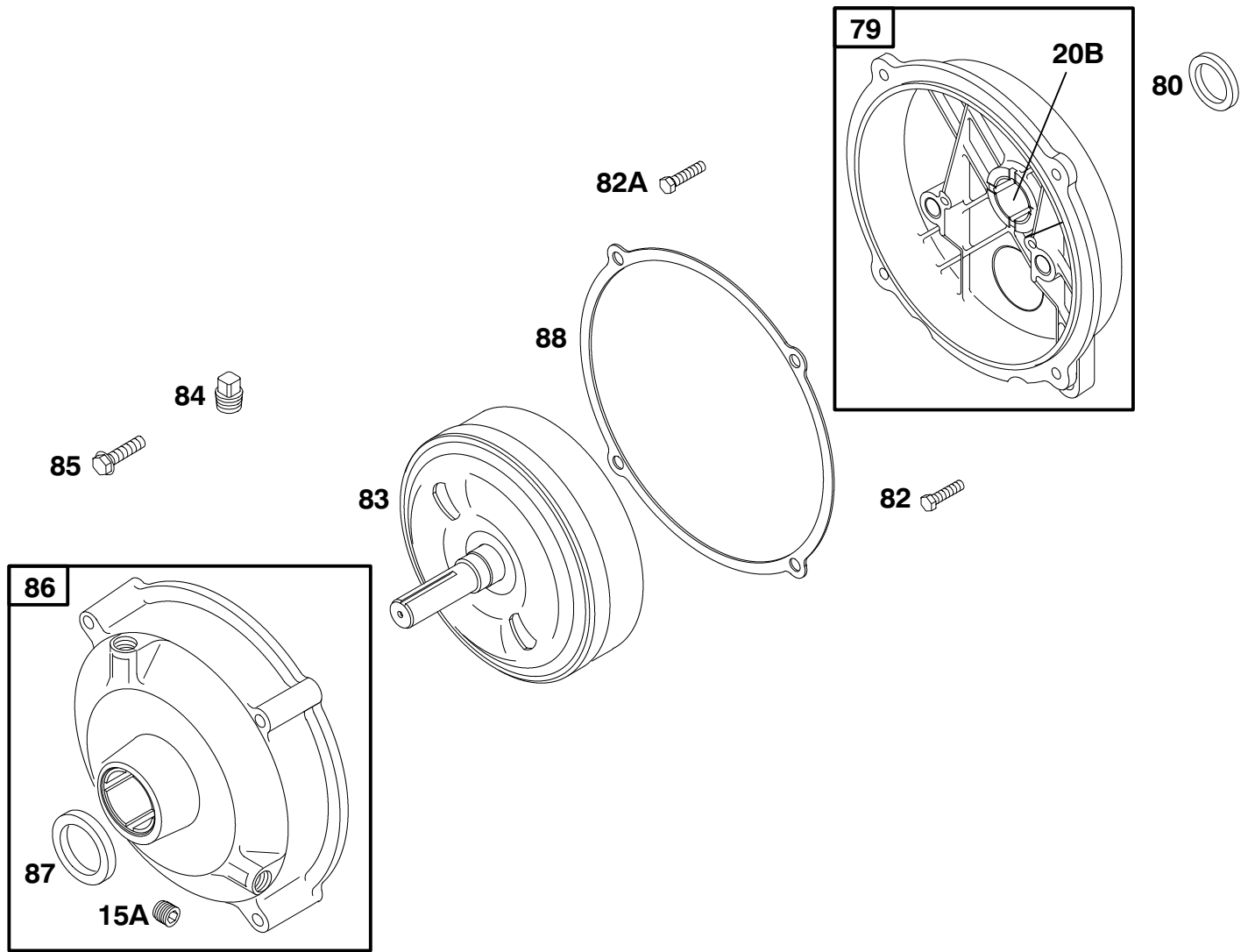
133200 to 133299



REF. NO.	PART NO.	DESCRIPTION	REF. NO.	PART NO.	DESCRIPTION	REF. NO.	PART NO.	DESCRIPTION
309	690658	Motor-Starter	697	690298	Screw (Drive Cap, 3 1/2" Long)	802	395537	Cap-End
310	690323	Bolt (Starter Motor)	697A	93585	Screw (Drive Cap, 1 5/8" Long)	803	398159	Housing-Starter
311	395538	Brush Set	783	692353	Gear-Pinion	876	495879	Kit-Gear
510	499308	Drive-Starter	801	690835	Cap-Drive	896	94288	Pin-Drive Retainer
513	398003	Clutch-Drive				1054	280275	Tie-Cable
544	492865	Armature-Starter				1195	691075	Washer (Drive Cap)

★ Included in Engine Gasket Set-Ref. No. 358.
● Included in Carburetor Overhaul Kit-Ref. No. 121.

Included in Valve Gasket Set-Ref. No. 1095.



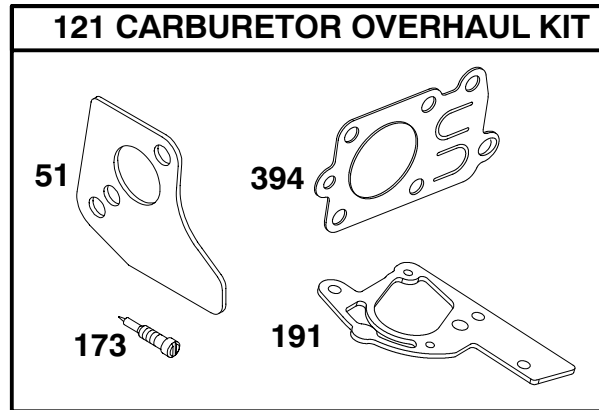
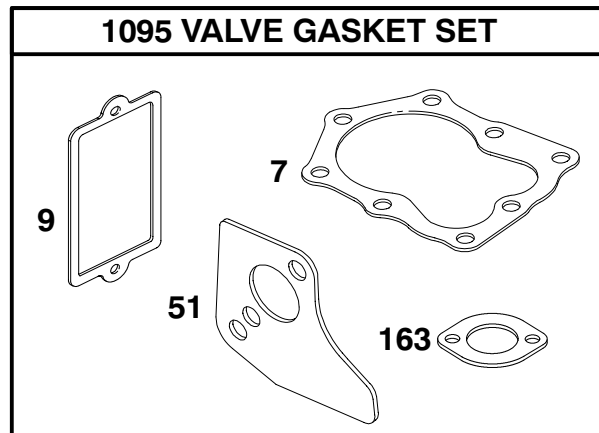
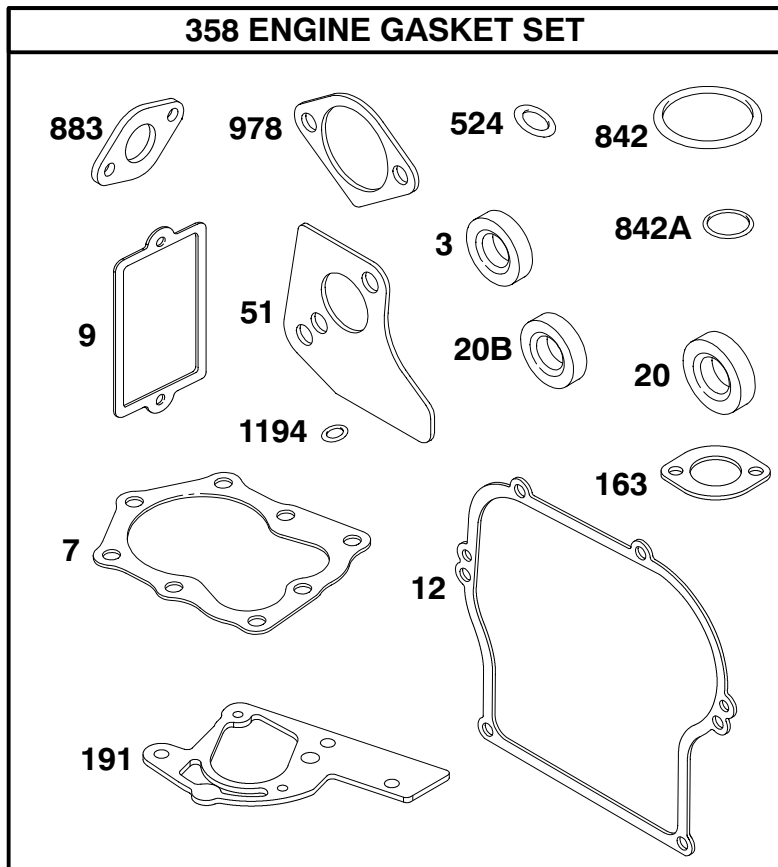
REF. NO.	PART NO.	DESCRIPTION	REF. NO.	PART NO.	DESCRIPTION	REF. NO.	PART NO.	DESCRIPTION
15A	94886	Plug-Oil Drain	82A	691122	Screw (Reduction Gear Case) (1 1/2" Long)	86	690608	Gear Cover Assembly
20B	★299819	Seal-Oil (PTO Side, 1 5/16" O.D.)	83	690374	Shaft-Auxiliary Drive	87	19011	Seal-Gear Reduction
79	690605	Case-Gear Reduction	84	691121	Plug-Breather	88	27313	Gasket-Gear Reduction Cover
80	27667	Gasket-Gear Case	85	691117	Screw (Gear Cover to Gear Reduction)			
82	690369	Screw (Reduction Gear Case) (7/8" Long)						

★ Included in Engine Gasket Set-Ref. No. 358.

● Included in Carburetor Overhaul Kit-Ref. No. 121.

Included in Valve Gasket Set-Ref. No. 1095.

133200 to 133299



REF. NO.	PART NO.	DESCRIPTION	REF. NO.	PART NO.	DESCRIPTION	REF. NO.	PART NO.	DESCRIPTION
3	★299819	Seal-Oil (Magneto Side)	20	★495307	Seal-Oil (PTO Side, 1 5/8" O.D.)	524	★271485	Seal-Dipstick Tube
7	★ 272157	Gasket-Cylinder Head	20B	★299819	Seal-Oil (PTO Side, 1 5/16" O.D.)	842	★280393	O-Ring Seal (7/8" I.D.) (Used After Code Date 99031400)
9	★ 27549	Gasket-Breather	51★	●273113	Gasket-Intake (2 Required)	842A	★270920	O-Ring Seal (1 3/16" I.D.) (Used Before Code Date 99031500).
12	★270080	Gasket-Crankcase (.015", Standard)	121	495606	Kit-Carburetor Overhaul	883	★272309	Gasket-Exhaust
	----- Note -----		163	★ 271935	Gasket-Air Cleaner	978	★273326	Gasket-Oil Gard®
	★270125	Gasket-Crankcase (.005")	173	●231533	Valve-Idle Mixture	1095	498529	Gasket Set-Valve
	★270126	Gasket-Crankcase (.009")	191	★●272489	Gasket-Fuel Tank	1194	★271485	O-Ring Seal (Plug)
			358	495603	Gasket Set-Engine			
			394	●272538	Diaphragm-Carburetor (Pump)			

★ Included in Engine Gasket Set-Ref. No. 358.

● Included in Carburetor Overhaul Kit-Ref. No. 121.

Included in Valve Gasket Set-Ref. No. 1095.