

12F700 to 12F799

Illustrated Parts List

Model Series

12F700 to 12F799

TYPE NUMBERS

0505, 0507,
0606 through 0616,
0620, 0622,
0632, 0634, 0635,
0639, 0640, 0641,
0646, 0648, 0649,
0654, 0655, 0657,
0658, 0659, 0662,
0665, 0667, 0668,
0670, 0671, 0672,
0675, 0676, 0677,
0680, 0682, 0684,
0687 through 0694,

TYPE NUMBERS

0702 through 0716,
0718, 0720, 0736,
0754 through 0764,
1706 through 1735,
1740, 1741, 1762,
1765 through 1779,
1781, 1784, 1789,
1802 through 1868,
2615 through 2618,
2624 through 2690,
2715 through 2755,
2760, 2763, 2790,
2791.

TO FIND

**THE CORRECT NUMBER OF THE PART YOU NEED:
FOLLOW THE INSTRUCTIONS BELOW**

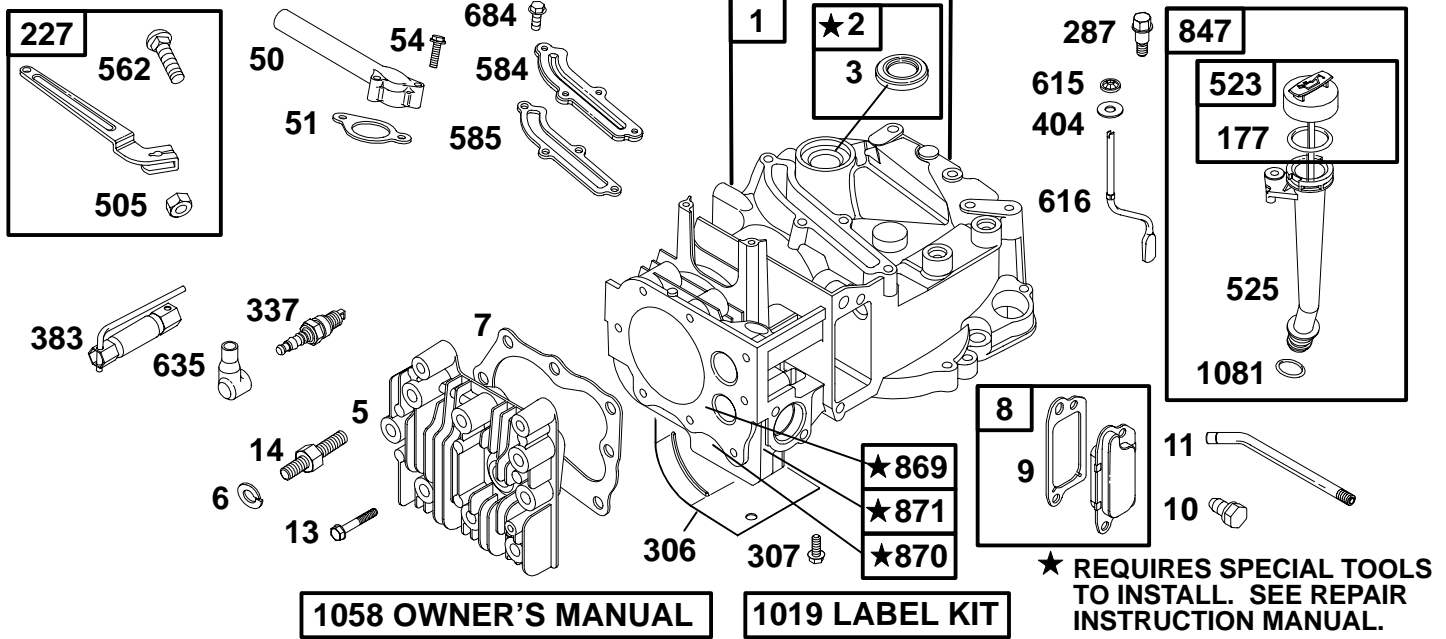
- A. Refer to Engine Model, Type and Code Number that is stamped on the blower housing of engine. Engine type numbers such as 0123 01 are listed only as 0123 in most instances. The two digits (01 or 02, etc.) to the right of the space may be required for more accurate parts identification in some instances. Select the Illustrated Parts List covering the correct Model Series and Type Number.
- B. Refer to the Illustrations and compare the original part with Illustration. The number next to the illustration is the Reference Number. Assemblies include all parts shown in frames. All parts shown in assembly frames having individual reference numbers can be purchased separately.
- C. After the Reference Number has been identified, refer to the Numerical text, where Reference and Primary Part Number are listed. **THE PRIMARY PART IS USED ON ALL TYPE NUMBERS EXCEPT THOSE TYPE NUMBERS UNDER "NOTE."**
- D. If a "Note" appears below the Primary Part Number, it means that this part differs from the Primary Part for certain types. If your Type number is listed under "Note," order the part referred to at the "Note."
- E. If your Engine Type Number does not appear after any part number listed under "Note," use the Primary Part Number.
- F. For Engine Type Numbers not covered by this book, check other Parts Lists having the same engine model or contact your source of supply.

PRINTED IN U.S.A.



COPYRIGHT by BRIGGS & STRATTON CORPORATION
All rights reserved. No part of this material may be reproduced or transmitted, in any form or by any means, electronic or mechanical, including photocopying, recording or by any information storage and retrieval system, without permission in writing from Briggs & Stratton Corporation.

12F700 to 12F799

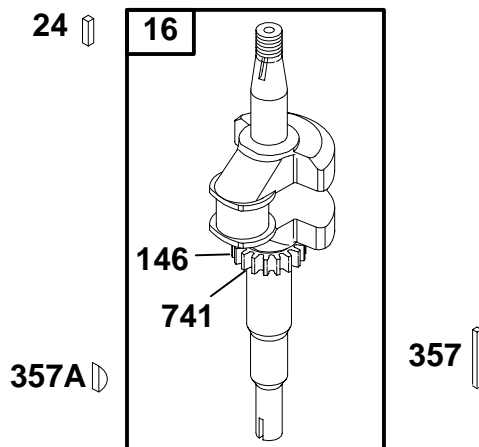


REF. NO.	PART NO.	DESCRIPTION	REF. NO.	PART NO.	DESCRIPTION	REF. NO.	PART NO.	DESCRIPTION
1	493260	Cylinder Assembly	50	497465	Intake Manifold	635	66538	Sparkplug Boot
2	399269	Bushing/Seal Kit (Magneto Side)	51	★272199	Intake Gasket	684	690345	Screw (Breather Passage Cover)
3	★299819	Oil Seal (Magneto Side)	54	94526	Screw (Intake Manifold)	847	495263	Dipstick/Tube Assembly
5	691160	Cylinder Head (Used After Code Date 98062100). Note 214626 Cylinder Head (Used Before Code Date 98062000 and After Code Date 96060200). 214349 Cylinder Head (Used Before Code Date 96060300).	177	★280393	O-Ring Seal (Dipstick)	869	691155	Valve Seat (Intake)
6	90832	Washer (Cylinder Head) Used on Type No(s). 0620.	227	690783	Governor Control Lever	870	690380	Valve Seat (Exhaust)
7	★0272916	Cylinder Head Gasket	287	94511	Screw (Dipstick Tube)	871	262001	Guide Bushing (Exhaust Valve) Note 63709 Guide Bushing (Intake Valve)
8	495786	Breather Assembly	306	690450	Cylinder Shield	1019	494256	Label Kit
9	★0272481	Breather Gasket	307	690345	Screw (Cylinder Shield)	1058	273693	Owner's Manual Emission Engines (Used After Code Date 97052500). Note 273125 Owner's Manual Emission Engines (Used Before Code Date 97052600). 272262 Owner's Manual Non Emission Engines
10	94650	Screw (Breather Assy)	337	802592	Sparkplug	1081	★280966	O-Ring Seal (Dipstick Tube)
11	231933	Breather Tube	404	690272	Washer (Governor Crank)			
13	94547	Screw (Cylinder Head)	383	89838	Sparkplug Wrench			
14	690368	Stud (Cylinder Head) Used on Type No(s). 0620.	505	231082	Nut (Governor Control Lever)			
			523	495264	Dipstick			
			525	495265	Dipstick Tube			
			562	92613	Bolt (Governor Control Lever)			
			584	692342	Breather Passage Cover			
			585	★272238	Breather Passage Gasket			
			615	690340	Governor Shaft Retainer			
			616	691306	Governor Crank			

★ Included in Engine Gasket Set—Ref. 358.
● Included in Carburetor Overhaul Kit—Ref. 121.

◆ Included in Carburetor Gasket Set—Ref. 977.
⊙ Included in Valve Overhaul Gasket Set—Ref. 1095.

12F700 to 12F799

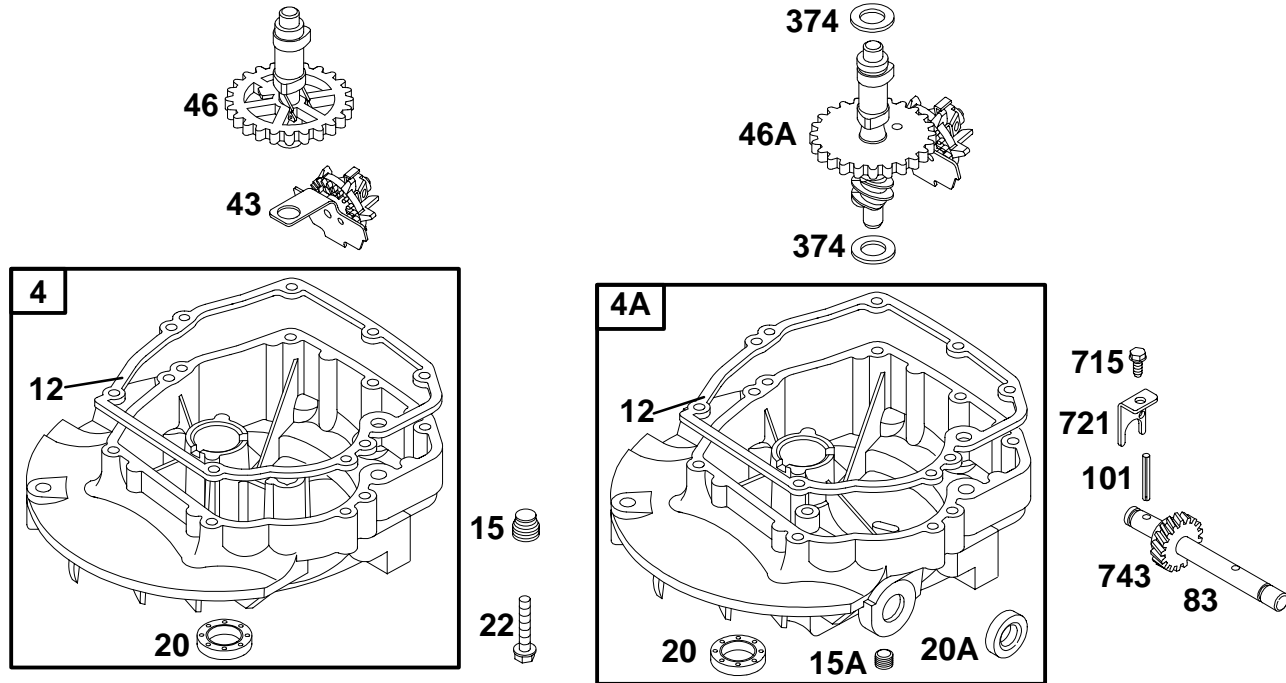


REF. NO.	PART NO.	DESCRIPTION	REF. NO.	PART NO.	DESCRIPTION	REF. NO.	PART NO.	DESCRIPTION
16	691451	Crankshaft (Used After Code Date 97011200). Note 493362 Crankshaft (Used Before Code Date 97011300). 691450 Crankshaft (Used After Code Date 97011200). Used on Type No(s). 0608, 0635, 0662, 0670, 0676, 0677, 0682, 0687, 0708, 1708, 1735, 1762, 1776, 2625, 2655, 2725, 2755. 493282 Crankshaft (Used Before Code Date 97011300). Used on Type No(s). 0608, 0610, 0611, 0635, 0662, 0670, 0676, 0677, 0682, 0687, 0708, 1735, 1776, 2625, 2655. 691452 Crankshaft (Used After Code Date 97011200). Used on Type No(s). 0620, 0622, 0632, 0667, 0710, 0711, 0720, 0736, 0754, 1778, 1779, 1865, 2616, 2716.			493363 Crankshaft (Used Before Code Date 97011300). Used on Type No(s). 0620, 0622, 0632, 0667, 0710, 0711, 0720, 0736, 0754, 1778, 2616. 693017 Crankshaft (Used After Code Date 97011200). Used on Type No(s). 2624, 2680. 691373 Crankshaft (Used Before Code Date 97011300). Used on Type No(s). 2624, 2680. 691453 Crankshaft (Used After Code Date 97011200). Used on Type No(s). 2617. 690794 Crankshaft (Used Before Code Date 97011300). Used on Type No(s). 2617. 691454 Crankshaft (Used After Code Date 97011200). Used on Type No(s). 2626, 2726. 493946 Crankshaft (Used Before Code Date 97011300). Used on Type No(s). 2626.			691455 Crankshaft (Used After Code Date 97011200). Used on Type No(s). 0505, 0507, 0648, 0658, 0671, 0672, 0715, 0716, 0758, 1815, 1855, 1858, 2618, 2718. 691475 Crankshaft (Used Before Code Date 97011300). Used on Type No(s). 0505, 0507, 0648, 0658, 0671, 0672, 0715, 0755, 0758, 2618. 692980 Crankshaft (Used After Code Date 97011200). Used on Type No(s). 0615, 1715. 494546 Crankshaft (Used Before Code Date 97011300). Used on Type No(s). 0615. 690814 Crankshaft Used on Type No(s). 0657.
						24	222698	Flywheel Key
						146	94388	Timing Key
						357	91539	Drive Pulley Key
						357A	94329	Drive Pulley Key
						741	262598	Timing Gear

★ Included in Engine Gasket Set—Ref. 358.
● Included in Carburetor Overhaul Kit—Ref. 121.

◆ Included in Carburetor Gasket Set—Ref. 977.
⊙ Included in Valve Overhaul Gasket Set—Ref. 1095.

12F700 to 12F799

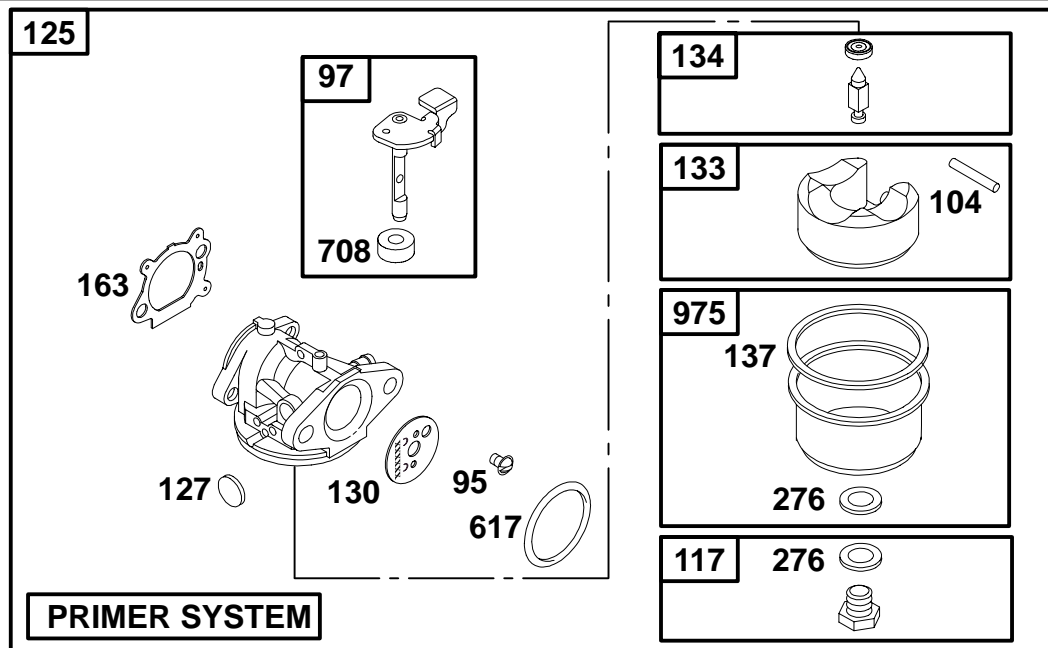


REF. NO.	PART NO.	DESCRIPTION	REF. NO.	PART NO.	DESCRIPTION	REF. NO.	PART NO.	DESCRIPTION
4	493279	Engine Sump Note 497318 Engine Sump Used on Type No(s). 0610, 0611.	46A	691460	Camshaft (Clockwise) (Used After Code Date 96060200). Note 493740 Camshaft (Clockwise) (Used Before Code Date 96060300). 691459 Camshaft (Counterclockwise) (Used After Code Date 96060200). Used on Type No(s). 0639, 0654, 0659, 0689, 0691, 2651, 2655, 2680, 2751. 493738 Camshaft (Counterclockwise) (Used Before Code Date 96060300). Used on Type No(s). 0639, 0654, 0659, 0689, 0691, 2651, 2655, 2680.	83	231671	Auxiliary Drive Shaft Note 690521 Auxiliary Drive Shaft Used on Type No(s). 2680. 690522 Auxiliary Drive Shaft Used on Type No(s). 2650, 2651, 2751. 690523 Auxiliary Drive Shaft Used on Type No(s). 0646. 690527 Auxiliary Drive Shaft Used on Type No(s). 0639, 0691.
4A	493365	Engine Sump				101	93474	Shaft Pin
12	★272198	Crankcase Gasket				374	691074	Washer (Camshaft)
15	94880	Oil Drain Plug				715	94929	Screw (Shaft Stop)
15A	691093	Oil Drain Plug				721	690449	Shaft Stop
20	★399781	Oil Seal (PTO Side)				743	690516	Drive Gear (Clockwise) Note 231279 Drive Gear (Counterclockwise) Used on Type No(s). 0639, 0654, 0659, 0689, 0691, 2651, 2655, 2680, 2751.
20A	391484	Oil Seal (PTO Side)						
22	691092	Screw (Engine Sump) Note 94612 Screw (Engine Sump) (One Used in Hole Nearest Breather)						
43	493737	Governor/Oil Slinger						
46	691449	Camshaft (Used After Code Date 96060200). Note 492830 Camshaft (Used Before Code Date 96060300).						

★ Included in Engine Gasket Set—Ref. 358.
 ● Included in Carburetor Overhaul Kit—Ref. 121.

◆ Included in Carburetor Gasket Set—Ref. 977.
 ⊙ Included in Valve Overhaul Gasket Set—Ref. 1095.

12F700 to 12F799



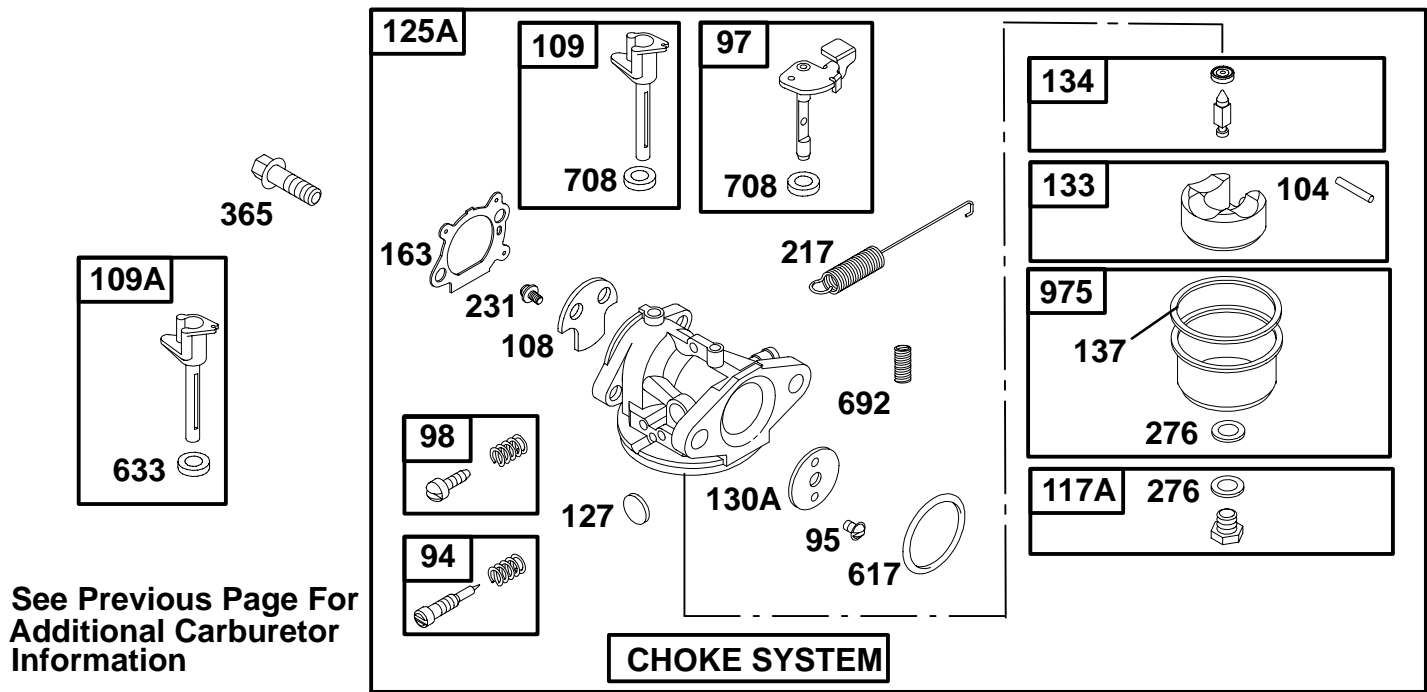
See Next Page For
Additional Carburetor
Information

REF. NO.	PART NO.	DESCRIPTION	REF. NO.	PART NO.	DESCRIPTION	REF. NO.	PART NO.	DESCRIPTION
95	94098	Screw (Throttle Valve)						498254 Carburetor (Used After Code Date 95102900 and Before Code Date 96060300). Used on Type No(s). 0505, 0606, 0608, 0610, 0611, 0616, 0620, 0622, 0639, 0640, 0648, 0649, 0657, 0659, 0668, 0672, 0687, 0689, 0691, 0694, 0702, 0707, 0711, 0718, 0720, 0736, 0760.
97	493267	Throttle Shaft			496495 Main Jet (High Altitude) (Used After Code Date 95102900 and Before Code Date 96060300). Used on Type No(s). 0505, 0606, 0608, 0610, 0611, 0616, 0620, 0622, 0639, 0640, 0648, 0649, 0657, 0659, 0668, 0672, 0687, 0689, 0691, 0694, 0702, 0707, 0711, 0718, 0720, 0736, 0760.			
104	●691242	Float Hinge Pin			497315 Main Jet (High Altitude) (Used After Code Date 96060200).			
117	494870	Main Jet (Standard) (Used After Code Date 96060200).			497315 Main Jet (Standard) (Used Before Code Date 95103000).			
		Note			497348 Main Jet (High Altitude) (Used Before Code Date 95103000).			
		497466 Main Jet (Standard) (Used After Code Date 95102900 and Before Code Date 96060300). Used on Type No(s). 0505, 0606, 0608, 0610, 0611, 0616, 0620, 0622, 0639, 0640, 0648, 0649, 0657, 0659, 0668, 0672, 0687, 0689, 0691, 0694, 0702, 0707, 0711, 0718, 0720, 0736, 0760.	125	498170	Carburetor (See Next Page For Additional Carburetor Information) (Used After Code Date 96060200).			497314 Carburetor (Used Before Code Date 95103000).
					Note			127 ● Welch Plug (Sold in Kit Only)
								130 ●691203 Throttle Valve
								133 ●398187 Carburetor Float
								134 ●398188 Needle/Seat Kit
								137 ●● Float Bowl Gasket (Sold in Kit Only)
								163 ★◆●272653 Air Cleaner Gasket
								276 ●● Sealing Washer (Sold in Kit Only)
								365 94840 Screw (Carburetor)
								617 ●●270344 O-Ring Seal (Intake Manifold)
								708 ●●691321 Dust Seal (Throttle Shaft)
								975 493640 Float Bowl

★ Included in Engine Gasket Set—Ref. 358.
● Included in Carburetor Overhaul Kit—Ref. 121.

◆ Included in Carburetor Gasket Set—Ref. 977.
⊙ Included in Valve Overhaul Gasket Set—Ref. 1095.

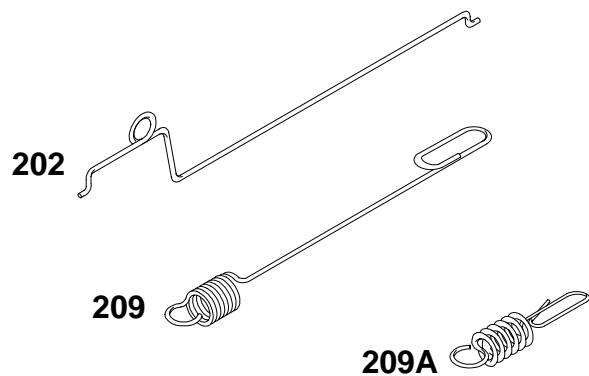
12F700 to 12F799



REF. NO.	PART NO.	DESCRIPTION	REF. NO.	PART NO.	DESCRIPTION	REF. NO.	PART NO.	DESCRIPTION
94	●493765	Idle Mixture Kit	125A	498965	Carburetor (See Previous Page For Additional Carburetor Information) (Used After Code Date 96060200). ———— Note ——— 494217 Carburetor (Used Before Code Date 96060300). ———— Note ——— 499059 Carburetor Used on Type No(s). 1858, 2763.	137	◆◆	Float Bowl Gasket (Sold in Kit Only)
95	●94098	Screw (Throttle Valve)	127	●	Welch Plug (Sold in Kit Only)	163	★◆◆272653	Air Cleaner Gasket
97	493267	Throttle Shaft	130A	691181	Throttle Valve ———— Note ——— 691203 Throttle Valve Used on Type No(s). 1858, 2763.	217	◆◆262749	Choke Return Spring
98	398185	Idle Speed Kit	133	398187	Carburetor Float	231	◆◆94098	Screw (Choke Valve)
104	●691242	Float Hinge Pin	134	◆◆398188	Needle/Seat Kit	276	◆◆	Sealing Washer (Sold in Kit Only)
108	691182	Choke Valve				365	◆◆94840	Screw (Carburetor)
109	494218	Choke Shaft				617	◆◆◆270344	O-Ring Seal (Intake Manifold)
109A	498593	Choke Shaft Used on Type No(s). 1858, 2763.				633	◆◆◆693867	Seal Choke Shaft Used on Type No(s). 1858, 2763.
117A	498977	Main Jet (Standard) ———— Note ——— 493637 Main Jet (Standard) (Used Before Code Date 96060300). 498981 Main Jet (High Altitude) 496063 Main Jet (High Altitude) (Used Before Code Date 96060300).				692	◆◆690572	Detent Spring Used on Type No(s). 1858, 2763.
						708	◆◆◆691321	Dust Seal (Throttle Shaft) ———— Note ——— ◆◆◆691321 Dust Seal (Choke Shaft)
						975	◆◆493640	Float Bowl

★ Included in Engine Gasket Set—Ref. 358. ◆ Included in Carburetor Gasket Set—Ref. 977.
● Included in Carburetor Overhaul Kit—Ref. 121. ⊙ Included in Valve Overhaul Gasket Set—Ref. 1095.

12F700 to 12F799

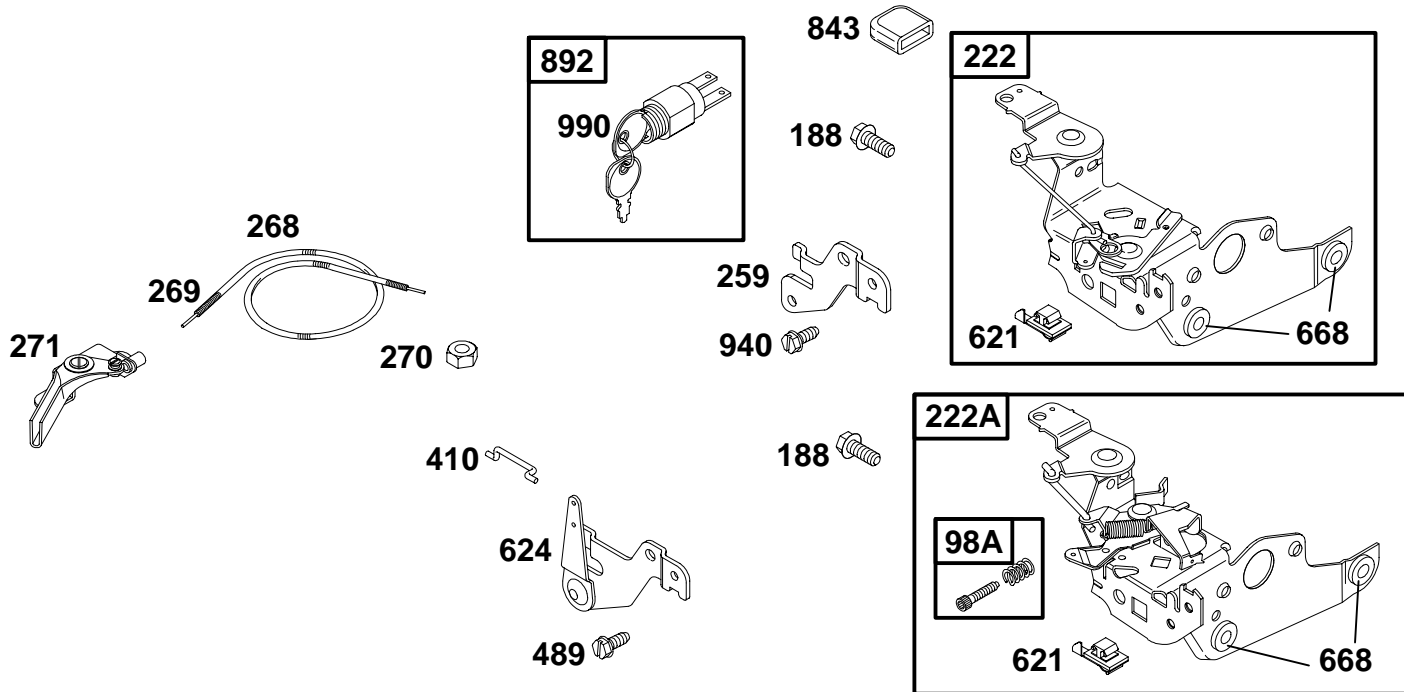


REF. NO.	PART NO.	DESCRIPTION	REF. NO.	PART NO.	DESCRIPTION	REF. NO.	PART NO.	DESCRIPTION
202	262579	Mechanical Governor Link	209	263044	Governor Spring Note 691290 Gov. Spring Used on Type No(s). 0610, 0611, 0640, 0676, 0677, 0687, 1740, 1776, 2174. 691291 Gov. Spring Used on Type No(s). 0505, 0648, 0672, 0711, 1733, 1734, 1778, 1779, 1780, 1781, 1805, 1821, 1824, 1855, 1858, 1859, 1866, 1867, 2763. 263042 Gov. Spring Used on Type No(s). 0620, 0635, 0649, 0662, 0670, 0680, 0682, 0684, 0707, 0715, 0716, 1735, 1762, 1784, 1807, 1815, 2790. 691292 Gov. Spring Used on Type No(s). 0608, 0616, 0659, 0665, 0689, 0754, 0716, 0761, 1708, 1715, 1716, 1765.	209A	262665	Governor Spring Note 690567 Gov. Spring Used on Type No(s). 0646. 690568 Gov. Spring Used on Type No(s). 0507,0641, 0708, 0755, 0758, 1741. 262656 Gov. Spring Used on Type No(s). 0633, 0634. 691275 Gov. Spring Used on Type No(s). 2690. 262664 Gov. Spring Used on Type No(s). 0655, 0658, 0671. 262666 Gov. Spring Used on Type No(s). 0615, 0632, 0667. 691276 Gov. Spring Used on Type No(s). 2651, 2680.

★ Included in Engine Gasket Set—Ref. 358.
 ● Included in Carburetor Overhaul Kit—Ref. 121.

◆ Included in Carburetor Gasket Set—Ref. 977.
 ⊙ Included in Valve Overhaul Gasket Set—Ref. 1095.

12F700 to 12F799

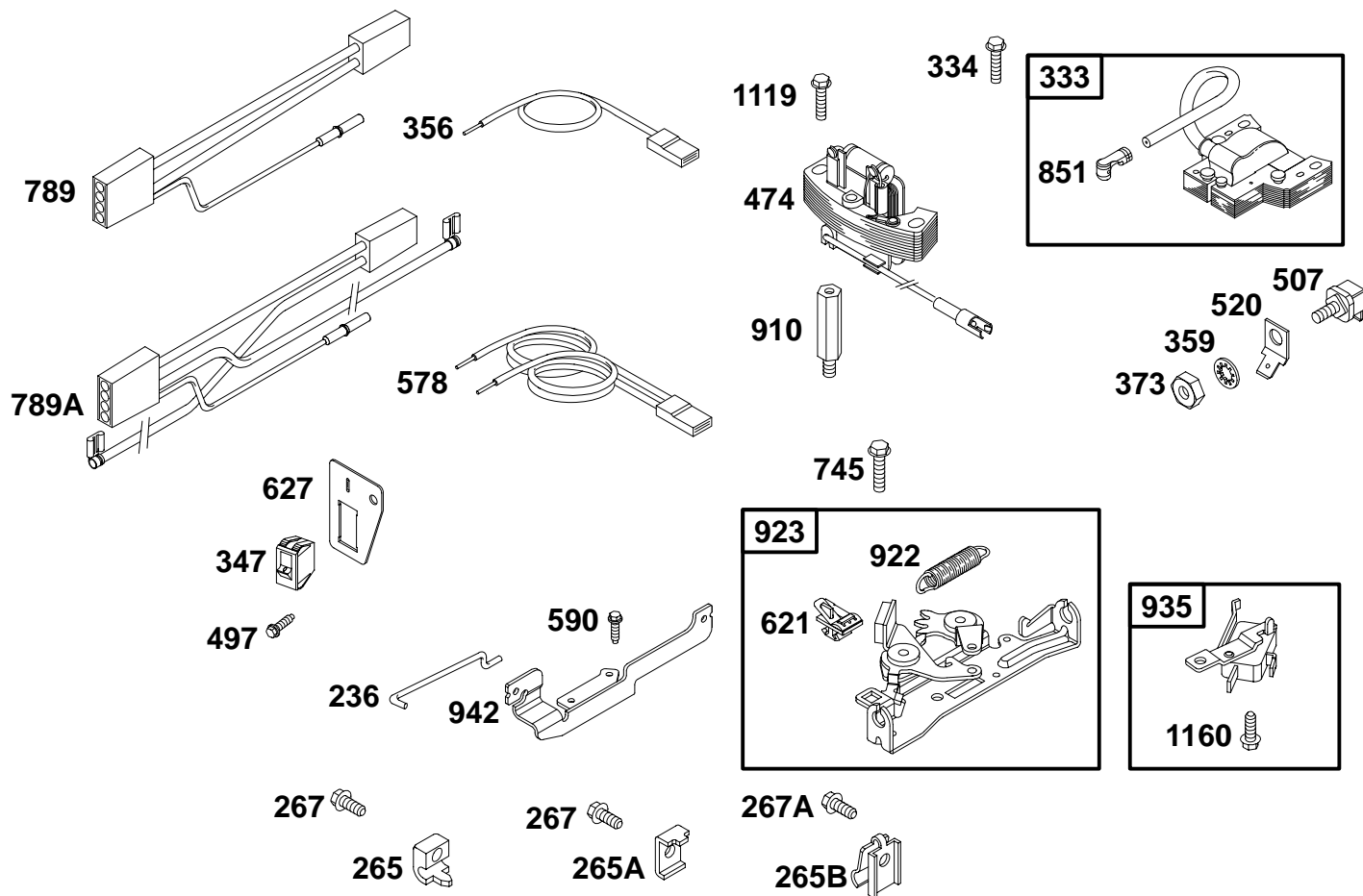


REF. NO.	PART NO.	DESCRIPTION	REF. NO.	PART NO.	DESCRIPTION	REF. NO.	PART NO.	DESCRIPTION
98A	493280	Idle Speed Kit	259	691223	Casing Clamp Bracket	624	691419	Linkage Lever
188	94644	Screw (Control Bracket)	268	691072	Control Wire Casing (Cut to Required Length)	668	★493823	Spacer (Includes 2)
222	497203	Control Bracket Used with Primer Type Carburetor	269	26099	Control Wire (Cut to Required Length)	843	272616	Lever Sleeve
222A	495975	Control Bracket Used with Choke Type Carburetor	270	63426	Nut (Control Wire Casing)	892	690646	Switch Key
		Note	271	290568	Control Lever	940	94882	Screw (Casing Clamp Bracket)
		690839 Control Bracket	410	690575	Control Link	990	392832	Key Set
		Used on Type No(s). 0507, 0675, 0708, 0755, 0758, 2615, 2616, 2617, 2618, 2624, 2625, 2626, 2650, 2651, 2655, 2660, 2680.	489	94882	Screw (Linkage Lever)			
			621	396847	Stop Switch			

★ Included in Engine Gasket Set—Ref. 358.
● Included in Carburetor Overhaul Kit—Ref. 121.

◆ Included in Carburetor Gasket Set—Ref. 977.
⊙ Included in Valve Overhaul Gasket Set—Ref. 1095.

12F700 to 12F799

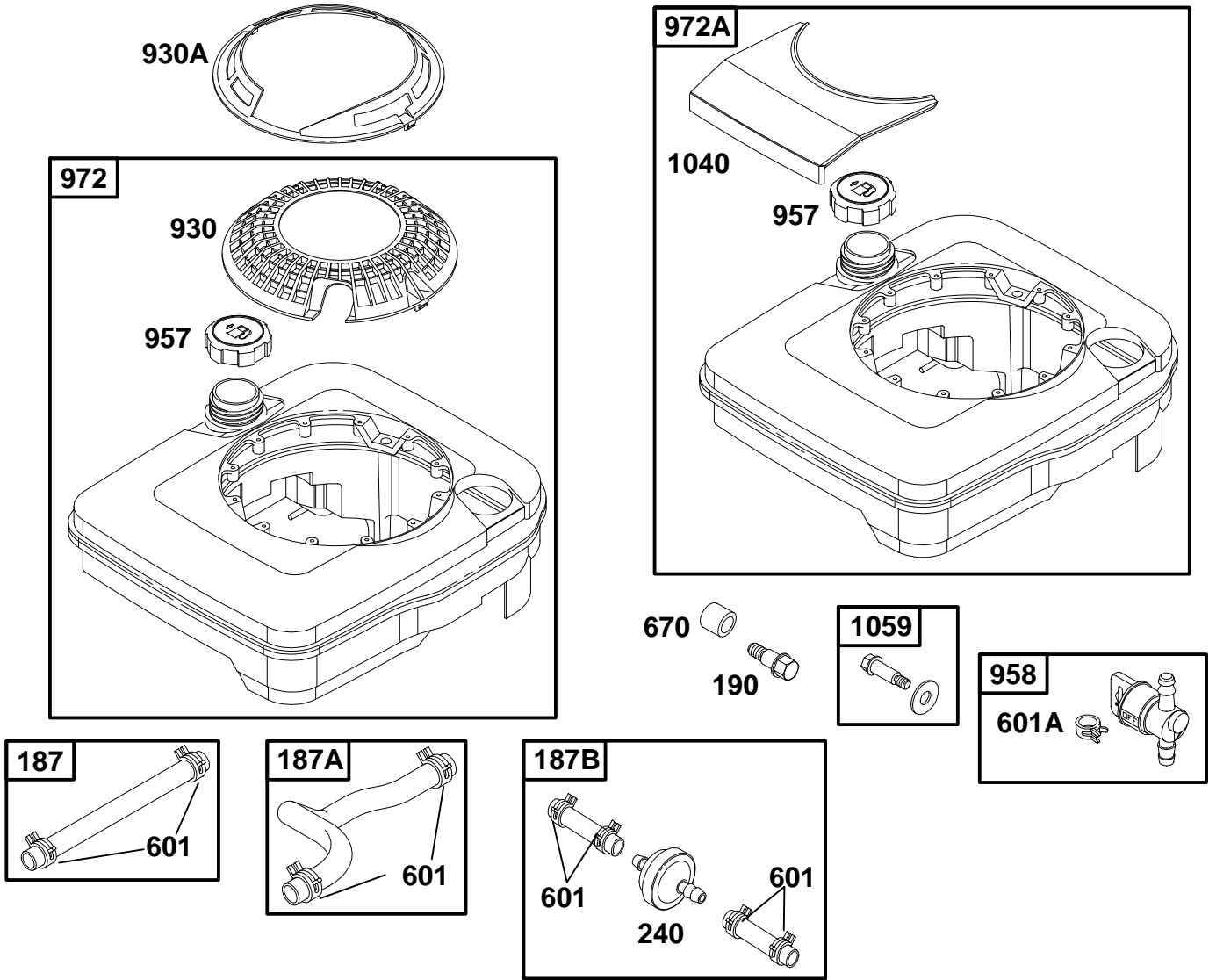


REF. NO.	PART NO.	DESCRIPTION	REF. NO.	PART NO.	DESCRIPTION	REF. NO.	PART NO.	DESCRIPTION
236	262461	Lock-Out Link	497	94874	Screw	789	690790	Wiring Harness (Used on Engines Without Band Brake)
265	213146	Casing Clamp	507	398525	Insulator	789A	691372	Wiring Harness (Used on Engines With Band Brake)
265A	221535	Casing Clamp	520	691084	Ground Terminal	851	493880	Sparkplug Terminal
265B	691187	Casing Clamp	578	398153	Wire Assembly	910	691094	Stud (Alternator)
267	94882	Screw (Casing Clamp)	590	93758	Screw (Brake Bracket)	922	262640	Brake Spring
267A	94264	Screw (Casing Clamp)	621	396847	Stop Switch	923	493442	Brake
333	802574	Magneto Armature	627	692872	Stop Switch Bracket	935	398758	Interlock Switch
334	94731	Screw (Magneto Armature)	745	94512	Screw (Brake)	942	690455	Brake Bracket
347	691396	Rocker Switch				1119	94512	Screw (Alternator)
356	692390	Stop Wire				1160	93758	Screw (Interlock Switch)
359	691077	Washer (Ground Terminal)						
373	90576	Nut (Ground Terminal)						
474	492841	Alternator						

★ Included in Engine Gasket Set—Ref. 358.
● Included in Carburetor Overhaul Kit—Ref. 121.

◆ Included in Carburetor Gasket Set—Ref. 977.
⊙ Included in Valve Overhaul Gasket Set—Ref. 1095.

12F700 to 12F799

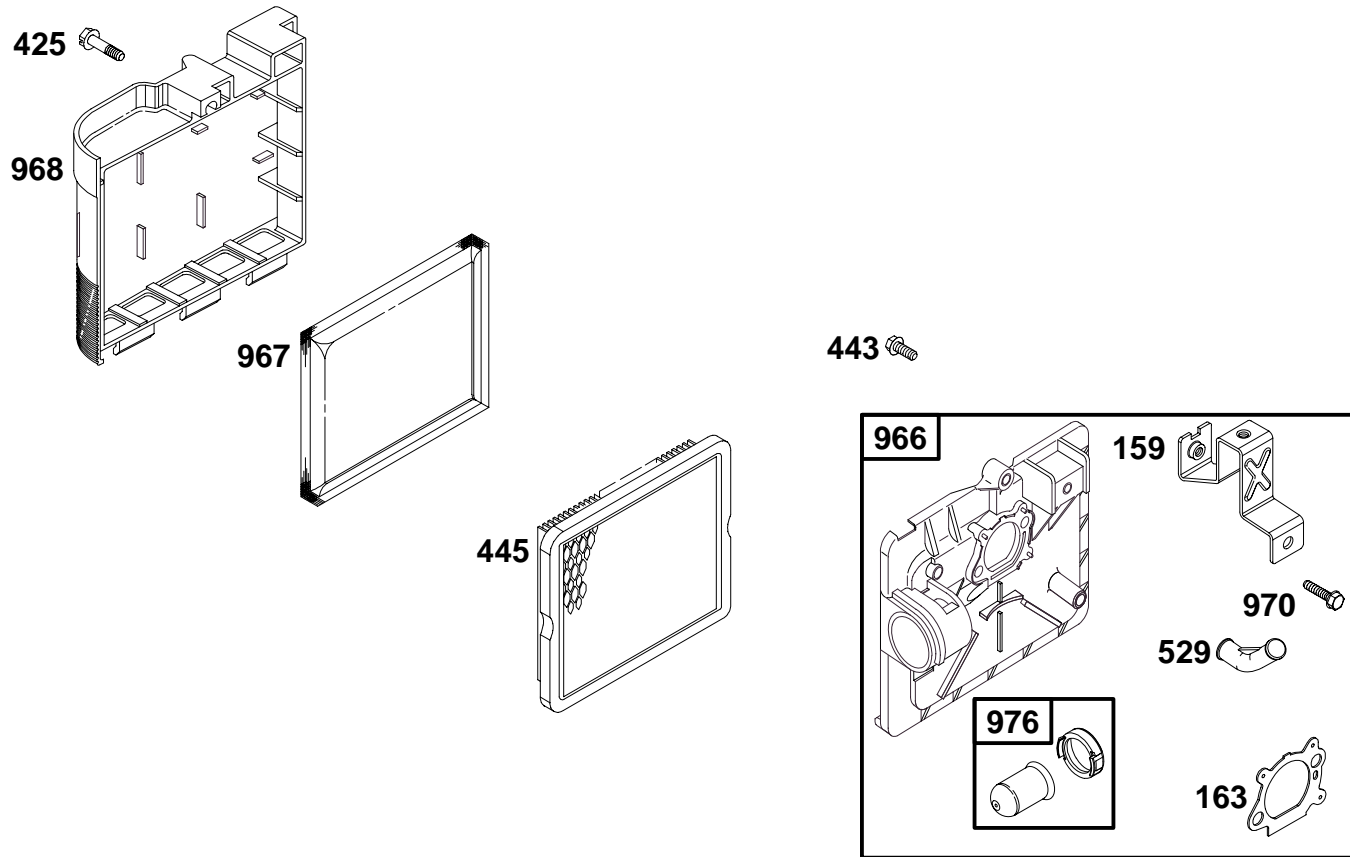


REF. NO.	PART NO.	DESCRIPTION	REF. NO.	PART NO.	DESCRIPTION	REF. NO.	PART NO.	DESCRIPTION
187	492790	Fuel Line	930	281136	Rewind Guard	972	497227	Fuel Tank (1.5 Quart)
187A	691371	Fuel Line (Molded)	930A	690598	Rewind Guard			Note
187B	498171	Fuel Line	957	397974	Fuel Tank Cap			497218 Fuel Tank (1.3 Quart)
240	298090	Fuel Filter	958	494768	Fuel Shut-Off Valve			Used on Type No(s). 0710, 0615, 0754, 1715, 2615, 2690, 2715, 2790.
190	94511	Screw (Fuel Tank)						497343 Fuel Tank (1.0 Quart)
601	93053	Hose Clamp (Green)						Used on Type No(s). 0755, 1855.
601A	93807	Hose Clamp (Black)				972A	497226	Fuel Tank
670	280512	Fuel Tank Spacer				1040	281202	Trim Plate
						1059	398540	Screw/Washer Set

★ Included in Engine Gasket Set—Ref. 358.
 ● Included in Carburetor Overhaul Kit—Ref. 121.

◆ Included in Carburetor Gasket Set—Ref. 977.
 ⊙ Included in Valve Overhaul Gasket Set—Ref. 1095.

12F700 to 12F799

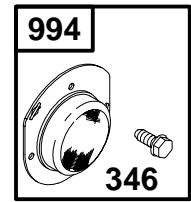
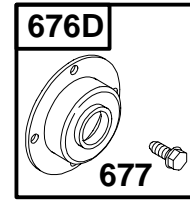
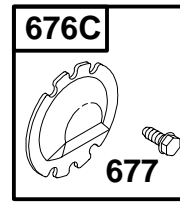
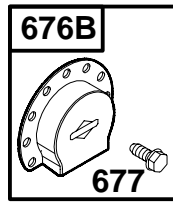
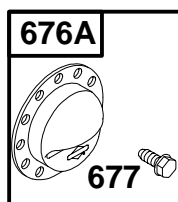
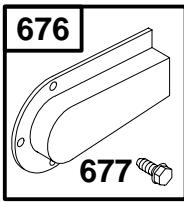
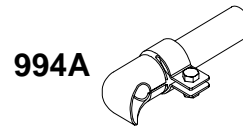
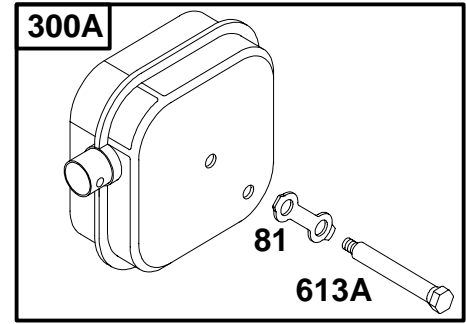
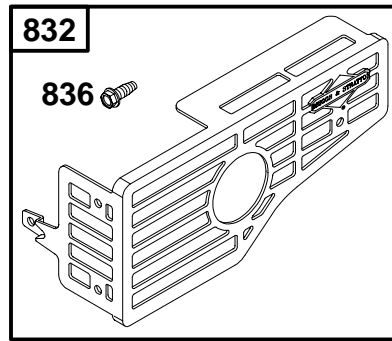
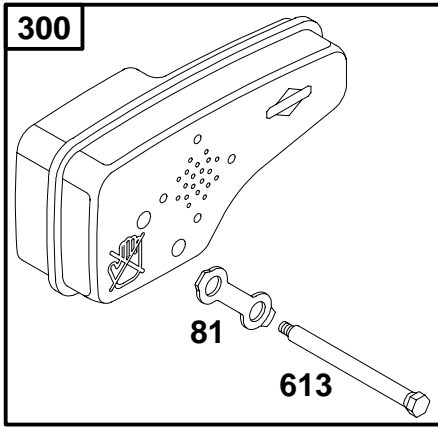


REF. NO.	PART NO.	DESCRIPTION	REF. NO.	PART NO.	DESCRIPTION	REF. NO.	PART NO.	DESCRIPTION
159	224815	Air Cleaner Primer Bracket	529	281299	Grommet	976	694395	Carburetor Primer (Used After Code Date 99051200).
163★◆●	272653	Air Cleaner Gasket	966	496116	A/C Primer Base	Note 496115 Carburetor Primer (Used Before Code Date 99051300).		
425	94872	Screw (Air Cleaner Cover)	967	493537	Pre Cleaner Filter			
443	94873	Screw (Air Cleaner Primer Base)	968	281340	Air Cleaner Cover			
445	491588	Air Cleaner Cartridge Filter	970	94749	Screw (Air Cleaner Primer Bracket)			

★ Included in Engine Gasket Set—Ref. 358.
 ● Included in Carburetor Overhaul Kit—Ref. 121.

◆ Included in Carburetor Gasket Set—Ref. 977.
 ∅ Included in Valve Overhaul Gasket Set—Ref. 1095.

12F700 to 12F799

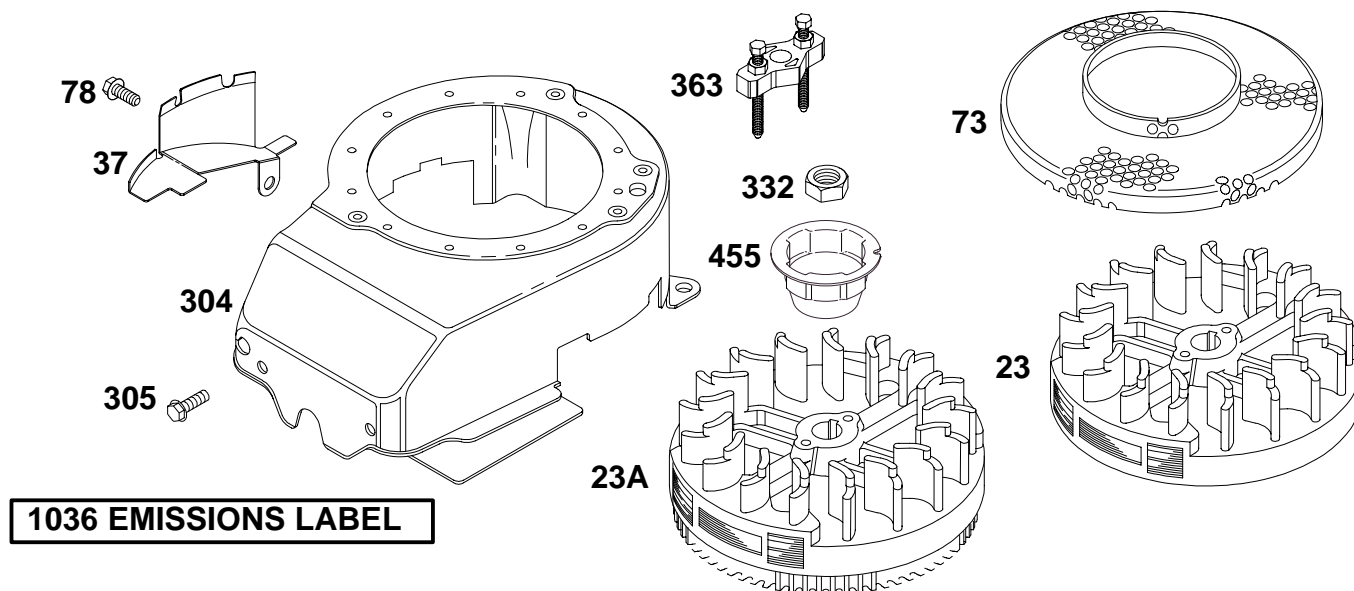


REF. NO.	PART NO.	DESCRIPTION	REF. NO.	PART NO.	DESCRIPTION	REF. NO.	PART NO.	DESCRIPTION
81	223664	Muffler Screw Lock	613A	94615	Screw (Exhaust Muffler)	832	499034	Muffler Guard
300	496106	Exhaust Muffler	676	493871	Muffler Deflector	836	94874	Screw (Muffler Guard)
300A	494343	Exhaust Muffler (Square Lo-Tone)	676A	396548	Muffler Deflector	883	★Ø272253	Exhaust Gasket
346	94896	Screw (Spark Arrester)	676B	393760	Muffler Deflector	994	398067	Spark Arrester
613	94231	Screw (Exhaust Muffler)	676C	393756	Muffler Deflector	994A	494486	Spark Arrester
			676D	397931	Muffler Deflector			
			677	94896	Screw (Muffler Deflector)			

★ Included in Engine Gasket Set-Ref. 358.
 ● Included in Carburetor Overhaul Kit-Ref. 121.

◆ Included in Carburetor Gasket Set-Ref. 977.
 Ø Included in Valve Overhaul Gasket Set-Ref. 1095.

12F700 to 12F799

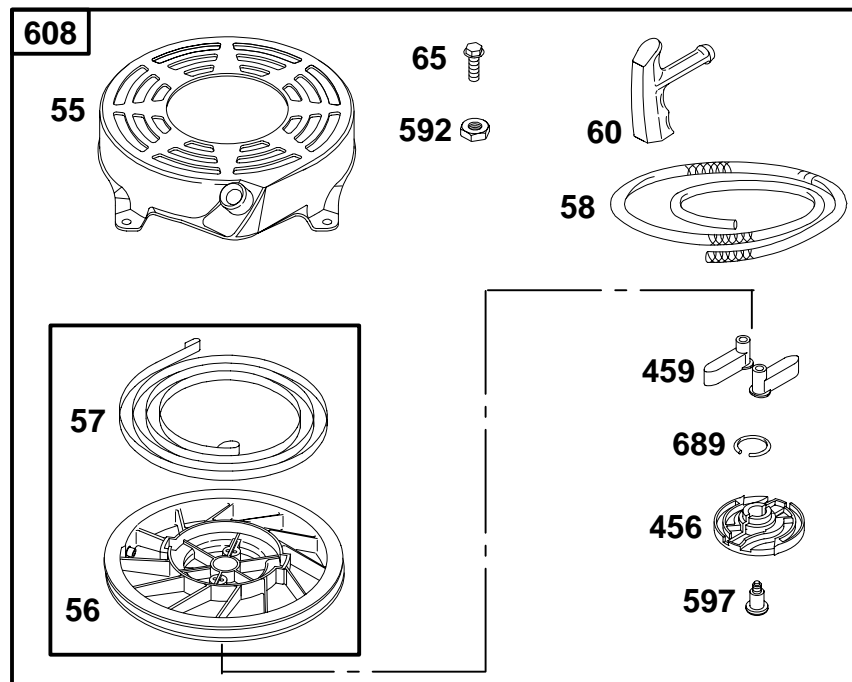


REF. NO.	PART NO.	DESCRIPTION	REF. NO.	PART NO.	DESCRIPTION	REF. NO.	PART NO.	DESCRIPTION
23	492177	Flywheel	304	493293	Blower Housing	455	691219	Flywheel Cup
23A	492175	Flywheel			Note	1036	694458	Emissions Label (Used After Code Date 98123100).
		Note			493294			Note
		492893 Flywheel Used on Type No(s). 0505, 0507, 0632, 0633, 0634, 0641, 0648, 0658, 0667, 0671, 0672, 0675, 0707, 0711, 0715, 0716, 0755, 0758, 1733, 1734, 1741, 1778, 1779, 1780, 1781, 1805, 1807, 1815, 1821, 1824, 1855, 1858, 1866, 1867, 1868, 2763.			Blower Housing Used on Type No(s). 0505, 0507, 0610, 0611, 0632, 0633, 0634, 0635, 0640, 0641, 0646, 0648, 0655, 0658, 0662, 0667, 0670, 0671, 0672, 0675, 0676, 0677, 0680, 0682, 0684, 0687, 0707, 0708, 0711, 0715, 0716, 0755, 0758, 0761, 1733, 1734, 1735, 1740, 1741, 1762, 1776, 1778, 1779, 1780, 1781, 1821, 1805, 1807, 1815, 1824, 1855, 1858, 1859, 1866, 1867, 1868, 2763.			Note
37	224511	Flywheel Guard	305	691108	Screw (Blower Housing)			499341 Emissions Label (Used After Code Date 97052600 and Before Code Date 99010100). (Used After Code Date 97052600). Used on Type No(s). 1706, 1708, 1715, 1716, 1781, 1805, 1818, 1821, 1824, 1859.
73	691221	Rotating Screen	332	94877	Flywheel Nut			499340 Emissions Label (Used Before Code Date 97052500). Used on Type No(s). 1706, 1714, 1733, 1734, 1740, 1776, 1778, 1780, 1781, 1789, 1821, 1824, 2725, 2751, 2760.
78	691108	Screw (Flywheel Guard)	363	19069	Flywheel Puller			

★ Included in Engine Gasket Set—Ref. 358.
● Included in Carburetor Overhaul Kit—Ref. 121.

◆ Included in Carburetor Gasket Set—Ref. 977.
⊙ Included in Valve Overhaul Gasket Set—Ref. 1095.

12F700 to 12F799

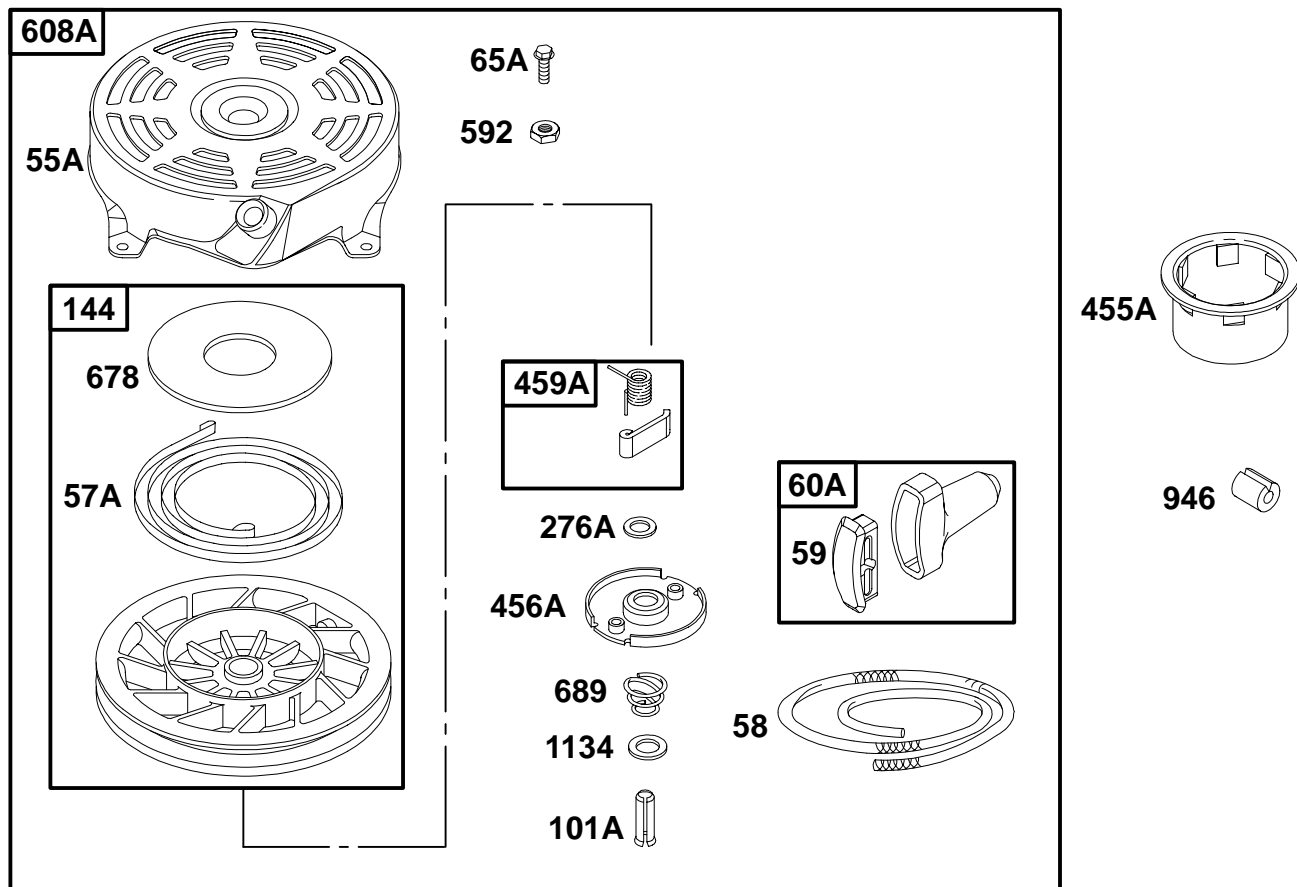


REF. NO.	PART NO.	DESCRIPTION	REF. NO.	PART NO.	DESCRIPTION	REF. NO.	PART NO.	DESCRIPTION
55	691421	Rewind Starter Housing	58	280399	Starter Rope (Cut To Required Length)	459	281505	Ratchet Plate
56	498144	Pulley/Spring Assembly	60	281434	Starter Rope Grip	592	94908	Nut (Rewind Starter)
57	498144	Pulley/Spring Assembly	65	94904	Screw (Rewind Starter)	597	94943	Screw (Pawl Friction Plate)
			456	281503	Pawl Friction Plate	608	497680	Rewind Starter
						689	263073	Friction Spring

★ Included in Engine Gasket Set—Ref. 358.
 ● Included in Carburetor Overhaul Kit—Ref. 121.

◆ Included in Carburetor Gasket Set—Ref. 977.
 ∅ Included in Valve Overhaul Gasket Set—Ref. 1095.

12F700 to 12F799

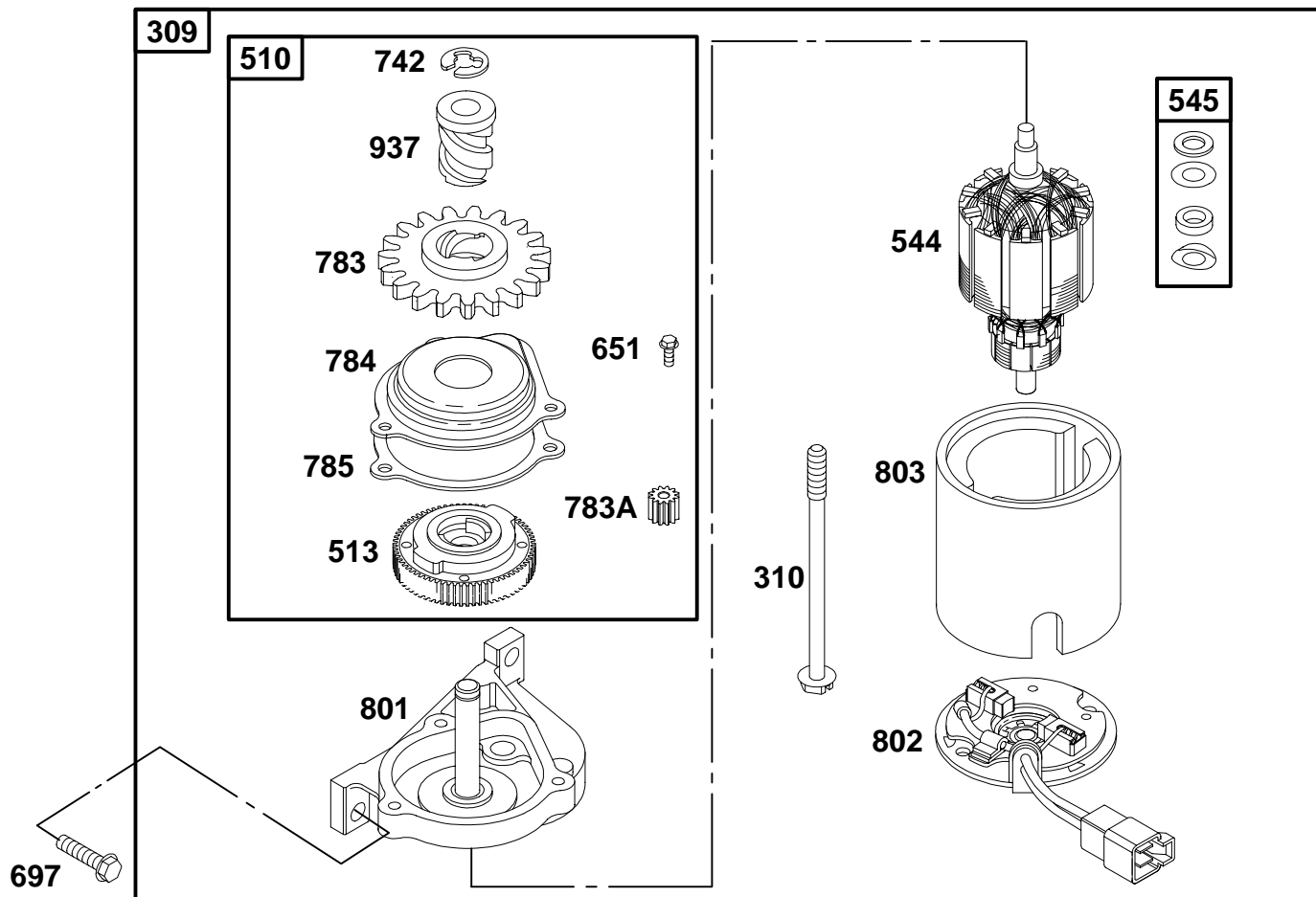


REF. NO.	PART NO.	DESCRIPTION	REF. NO.	PART NO.	DESCRIPTION	REF. NO.	PART NO.	DESCRIPTION
55A	492831	Rewind Starter Housing	65A	94686	Screw (Rewind Starter)	592	94908	Nut (Rewind Starter)
57A	491889	Rewind Starter Spring	101A	262626	Shaft Pin	608A	497598	Rewind Starter
58	280399	Starter Rope (Cut To Required Length)	144	493824	Pulley/Spring Assembly	678	224278	Rewind Spacer
59	396892	Grip Insert	276A	280973	Sealing Washer	689	262625	Friction Spring
60A	393152	Starter Rope Grip	455A	224250	Flywheel Cup	946	223294	Rope Stop
			456A	224321	Pawl Friction Plate	1134	224322	Washer (Pawl Friction Plate)
			459A	492833	Pawl Ratchet			

★ Included in Engine Gasket Set—Ref. 358.
 ● Included in Carburetor Overhaul Kit—Ref. 121.

◆ Included in Carburetor Gasket Set—Ref. 977.
 ⊙ Included in Valve Overhaul Gasket Set—Ref. 1095.

12F700 to 12F799

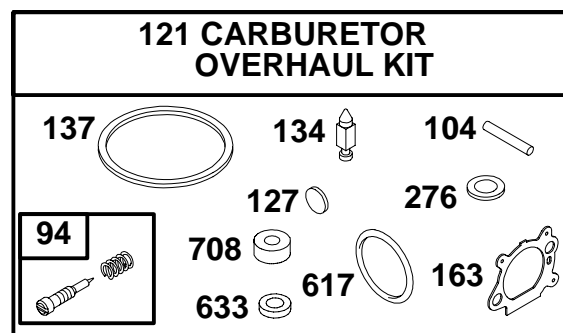
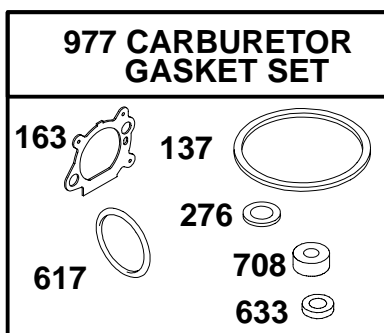
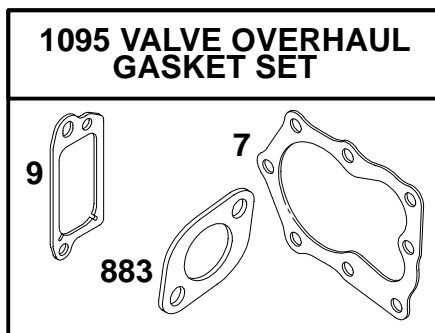
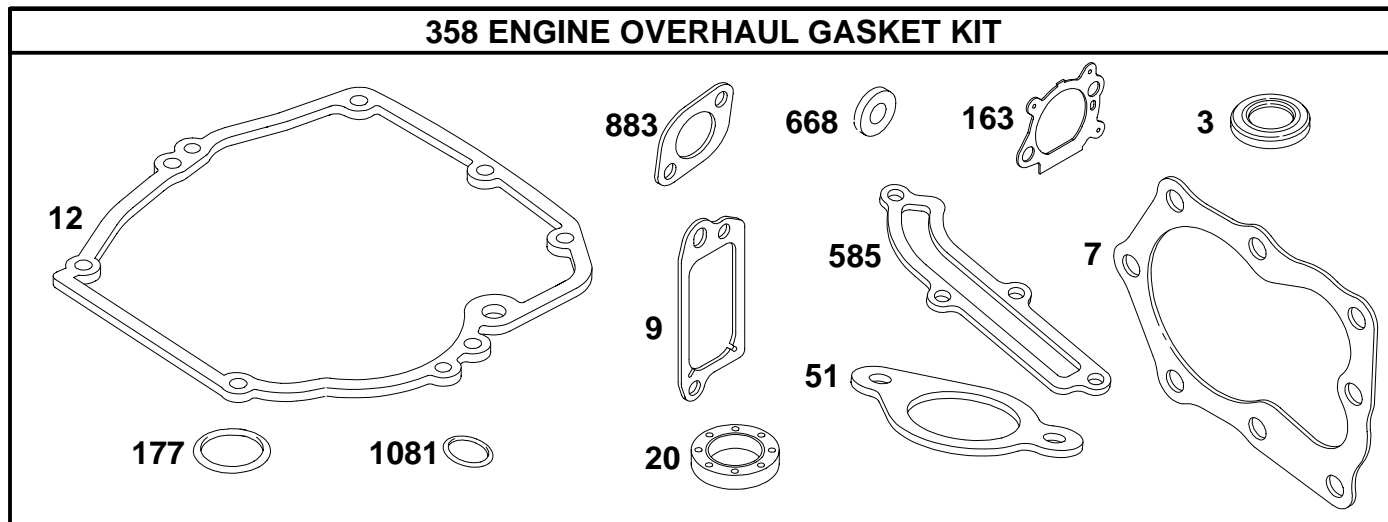


REF. NO.	PART NO.	DESCRIPTION	REF. NO.	PART NO.	DESCRIPTION	REF. NO.	PART NO.	DESCRIPTION
309	691376	Starter Motor	651	93490	Screw (Starter Gear Cover)	784	692341	Starter Gear Cover
310	692327	Bolt (Starter Motor)	697	691127	Screw (Drive Cap)	785	692352	Starter Cover Gasket
510	494147	Starter Drive	742	93941	E-Ring Retainer	801	690782	Drive Cap
513	692358	Drive Clutch	783	281127	Pinion Gear	802	690787	End Cap
544	690786	Starter Armature	783A	691269	Pinion Gear	803	690785	Starter Housing
545	492919	Washer Set				937	691325	Starter Spline

★ Included in Engine Gasket Set-Ref. 358.
● Included in Carburetor Overhaul Kit-Ref. 121.

◆ Included in Carburetor Gasket Set-Ref. 977.
⊙ Included in Valve Overhaul Gasket Set-Ref. 1095.

12F700 to 12F799



REF. NO.	PART NO.	DESCRIPTION	REF. NO.	PART NO.	DESCRIPTION	REF. NO.	PART NO.	DESCRIPTION
3	★299819	Oil Seal (Magneto Side)	134	◆398188	Needle/Seat Kit	668	★493823	Spacer (Includes 2)
7	★Ø272916	Cylinder Head Gasket	137	◆	Float Bowl Gasket (Sold in Kit Only)	708	◆691321	Dust Seal (Throttle Shaft)
9	★Ø272481	Breather Gasket	163	◆◆272653	Air Cleaner Gasket	————— Note —————		
12	★272198	Crankcase Gasket	276	◆◆	Sealing Washer (Sold in Kit Only)	◆◆691321	Dust Seal (Choke Shaft)	
20	★399781	Oil Seal (PTO Side)	358	497316	Engine Gasket Set	883	★Ø272253	Exhaust Gasket
51	★272199	Intake Gasket	585	★272238	Breather Passage Gasket	977	498261	Carburetor Gasket Set
94	◆493765	Idle Mixture Kit	617	◆◆270344	O-Ring Seal (Intake Manifold)	1081	★280966	O-Ring Seal (Dipstick Tube)
104	◆691242	Float Hinge Pin	633	◆◆693867	Choke Shaft Seal Used on Type No(s). 1858, 2763.	1095	498528	Valve Overhaul Gasket Set
177	★280393	O-Ring Seal (Dipstick)						
121	498260	Carburetor Overhaul Kit						
127	◆	Welch Plug (Sold in Kit Only)						

★ Included in Engine Gasket Set—Ref. 358.
 ◆ Included in Carburetor Overhaul Kit—Ref. 121.

◆ Included in Carburetor Gasket Set—Ref. 977.
 Ø Included in Valve Overhaul Gasket Set—Ref. 1095.