

111200 to 111299

Illustrated Parts List

Model Series

111200 to 111299

TYPE NUMBERS
0016 through 0036
0111 through 0167

TO FIND

THE CORRECT NUMBER OF THE PART YOU NEED:

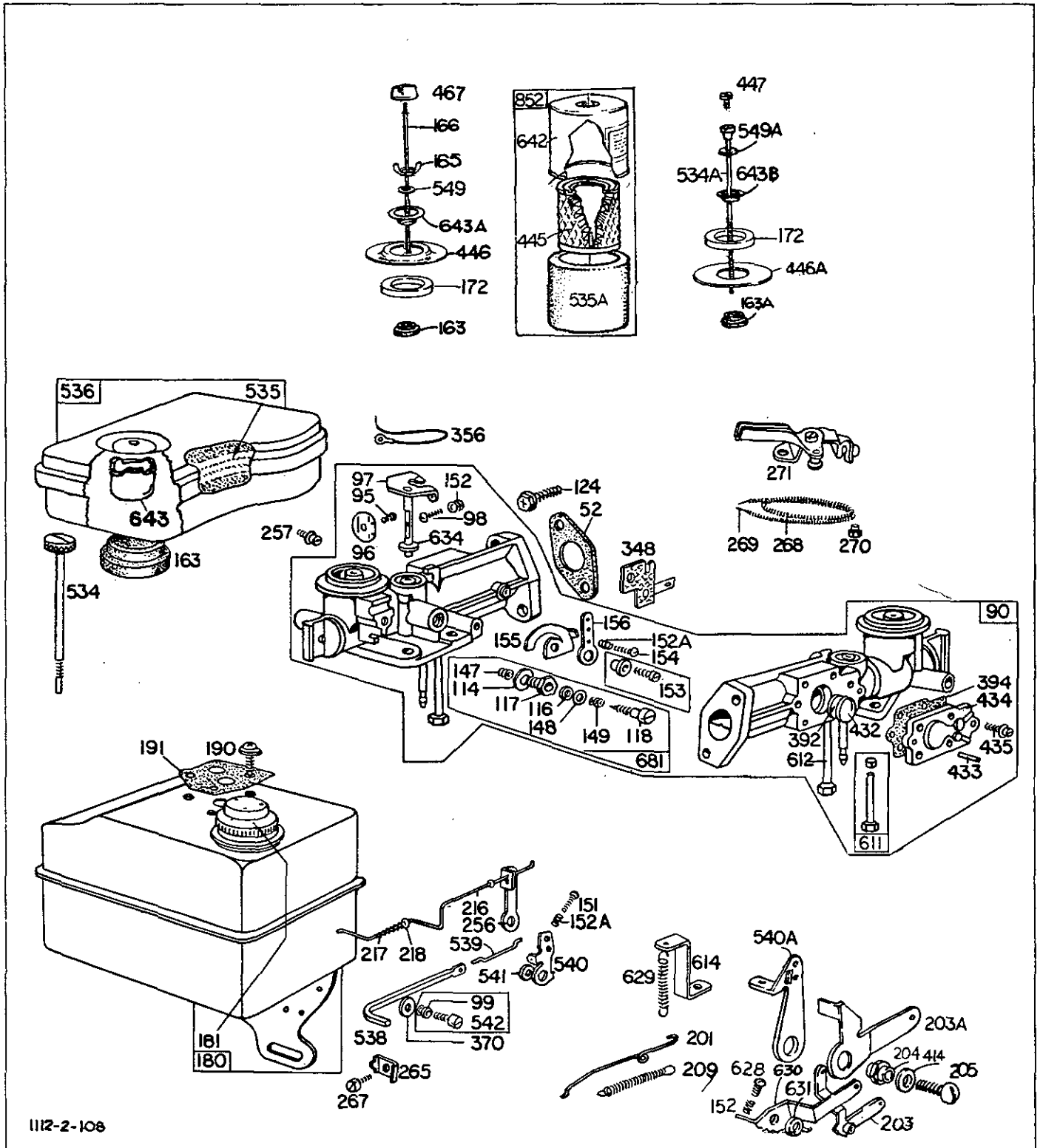
FOLLOW THE INSTRUCTIONS BELOW:

- A. Refer to Engine Model, Type and Code Number that is stamped on the blower housing or nameplate of engine. Engine type numbers such as 0147 01 are listed herein only as 0147. The two digits (01 or 02, etc.) to the right of the space are not needed for parts identification. Then use the Illustrated Parts List covering these Model Series.
- B. Refer to Illustrated Parts section and compare the old part with illustration. The number on the illustration is the Reference Number. Assemblies include all parts shown in frames. All parts shown in assembly frames on which individual reference numbers are given can be purchased separately.
- C. After the Reference Number has been identified, refer to the Numerical Parts List, where Reference and Master Part Numbers are listed. **THE MASTER PART IS USED ON ALL TYPE NUMBERS EXCEPT THOSE TYPE NUMBERS UNDER "NOTE".**
- D. If a "Note" appears below the Master Part Number, this means that this part differs from the Master Part for certain types. If the Type Number is listed under "Note", order the part referred to.
- E. If the Engine Type Number does not appear after any part number listed under "Note", use the Master Part Number.
- F. For Type Numbers higher than those covered by this book, please refer to the factory if you are unable to identify the part by comparison.

PRINTED IN U.S.A.



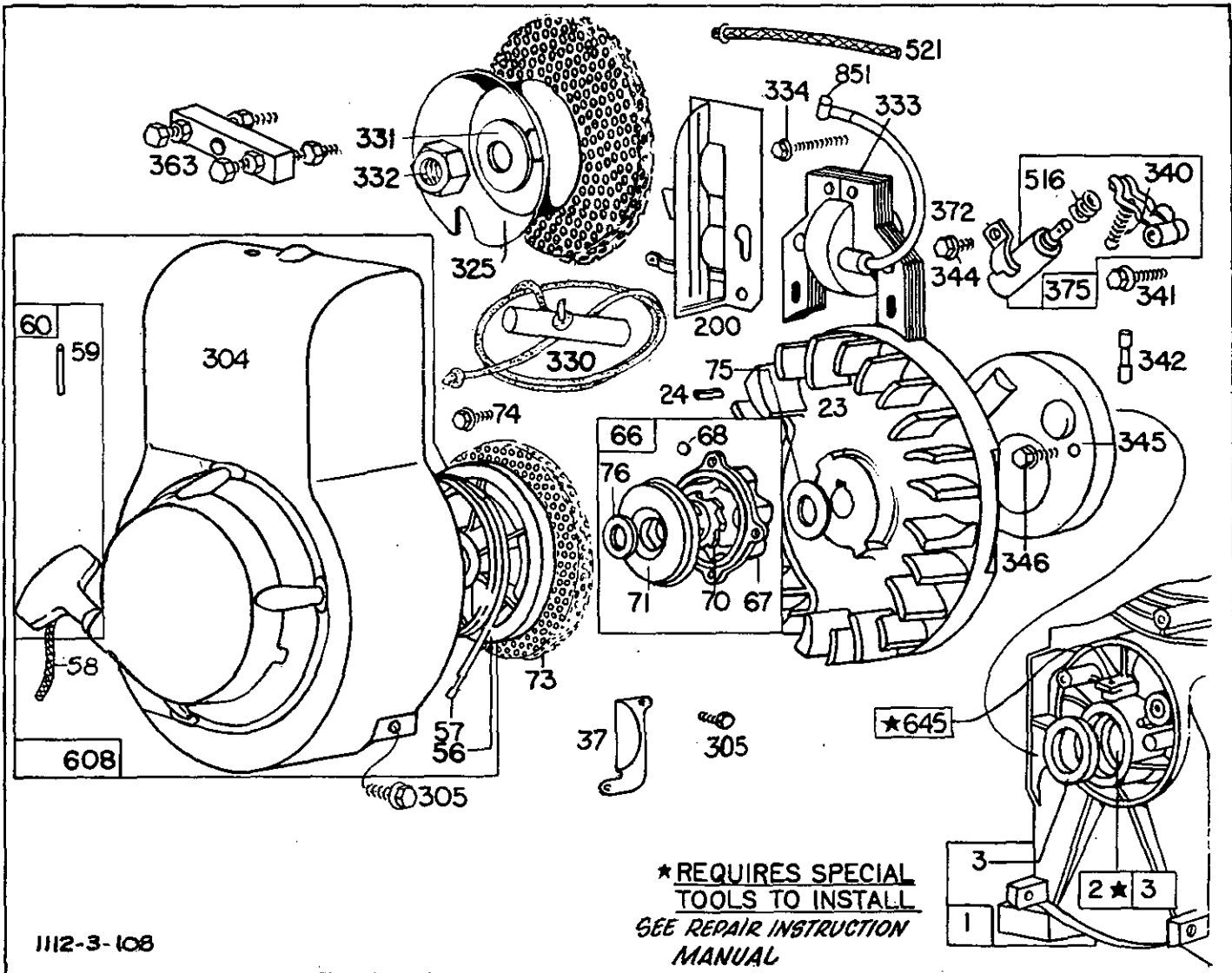
COPYRIGHT ©



1112-2-108

Assemblies include all parts shown in frames.

111200 to 111299



Assemblies include all parts shown in frames.

REF. NO.	PART NO.	DESCRIPTION	REF. NO.	PART NO.	DESCRIPTION	REF. NO.	PART NO.	DESCRIPTION		
1	392857	Cylinder Assembly			0035, 0122, 0132,			Used on type Nos.		
2	293708	Bushing—Cylinder			0139, 0143, 0145,			0135, 0166, 0167.		
	Note:	Requires special tools for installation.			0146, 0147, 0148,	21	66768	Plug—Oil Filler		
3	299819	Seal—Oil			0150, 0151, 0152,	22	93032	Screw—Crankcase Cover Mounting Sem		
5	211851	Head—Cylinder			0154, 0158, 0163.		Note:	92747 Screw—Crankcase Mounting Sem		
6	22963	Washer—Flat			261406 Crankshaft			Used in two top holes to mount cover on type Nos. 0135, 0137, 0140, 0141, 0166, 0167.		
7	*270836	Gasket—Cylinder Head			Used on type No. 0016.			93656 Stud		
8	294178	Breather—Valve Chamber			261416 Crankshaft			90832 Washer—Lock		
9	*27549	Gasket—Valve Cover			Used on type No. 0138.			Used to mount Crankcase Cover on type Nos. 0136, 0138, 0155.		
10	93394	Screw—Breather Mounting Sem	17	99158	Bearing—Ball			23	296884	Flywheel—Magneto
11	66578	Grommet—Breather Tube	18	392974	Cover Assembly—Crankcase			24	61760	Key—Flywheel
12	*270833	Gasket—Crankcase— .015" thick (Standard)			Used on <i>Model 111202</i> .			25	391650	Piston Assembly—Std.
	*270895	Gasket—Crankcase— .005" thick			Note: 294307 Cover Assy.—Crankcase			391651	Piston Assembly— .010" O.S.	
	*270896	Gasket—Crankcase— .009" thick			Used on <i>Model 111212</i> .			391652	Piston Assembly— .020" O.S.	
13	93111	Screw—Cylinder Head (1-15/16" long)			298281 Cover Assy.—Crankcase			391653	Piston Assembly— .030" O.S.	
	Note:	93772 Stud—Cylinder Head (1)			Used on <i>Model 111292</i> .			PISTON RING SETS:		
		22963 Washer			392975 Cover Assy.—Crankcase			26	391654	Ring Set—Std. Piston
		Used on type Nos. 0142, 0155.	19	293708	Bushing—Crankcase Cover			391656	Ring Set—.010" O.S. Piston	
15	91249	Plug—Pipe, 1/4" Std., Square Head			Note: 220538, 293708 Bushings require special tools for installation.			391658	Ring Set—.020" O.S. Piston	
	Note:	93448 Plug—Oil Drain (Hex. Socket Head)			Used on <i>Model 111231 and 111232</i> .			391660	Ring Set—.030" O.S. Piston	
		Used on type Nos. 0131, 0166.			20	299819	Seal—Oil	27	26026	Lock—Piston Pin
16	261414	Crankshaft			Note: 220538 Bushing—Crankcase Cover			28	391649	Pin Assembly—Piston—Standard
	Note:	261374 Crankshaft			Used on <i>Model 111212</i> .			29	392939	Rod Assy.—Connecting
		Used on type Nos. 0036, 0161, 0165.			29	299819	Seal—Oil		Note:	For Connecting Rod with .020" undersize Crankpin Bearing — order No. 393710.
		261400 Crankshaft			Used on type Nos. 0035, 0036, 0121,			30	220670	Dipper—Connecting Rod
		Used on type No. 0124.			0122, 0123, 0124,			31	222390	Lock—Connecting Rod Screw
		261402 Crankshaft			0132, 0139, 0143,			32	93670	Screw—Connecting Rod
		Used on type No. 0121.			0145, 0146, 0147,					
		261403 Crankshaft			0148, 0150, 0151,					
		Used on type Nos. 0123, 0153.			0152, 0153, 0154,					
		261405 Crankshaft			0158, 0161.					
		Used on type Nos.			391484 Seal—Oil					
					Used on the auxiliary P. T. O. Shaft on type No. 0117.					
					392838 Oil Seal and Spacer					

* Included in Gasket Set—Part No. 392856.

111200 to 111299

REF. NO. 33 - 209

REF. NO.	PART NO.	DESCRIPTION	REF. NO.	PART NO.	DESCRIPTION	REF. NO.	PART NO.	DESCRIPTION	
33	212004	Valve—Exhaust	76	68238	Washer—Ratchet Sealing	152	260746	Spring Throttle Adjustment	
	Note:	212157 Valve—Exhaust Used on type Nos. 0035, 0036, 0154.	90	392905	Carburetor Assembly (Manual Choke) (2 Quart)	152A	260575	Spring—Speed and Throttle Adjustment	
34	261233	Valve—Intake		Note:	392894 Carburetor Assy. (Manual Choke) (1 Quart) Used on type Nos. 0138, 0139.	153	392922	Screw—Carburetor Cam and Lever	
35	260552	Spring—Intake Valve		392907 Carb. Assy. (Choke-A-Matic) (2 Quart) Used on type No. 0134.	154	93527	Screw—Machine, Rd. Hd. —5-40 x 5/8"		
36	26478	Spring—Exhaust Valve		392909 Carb. Assy. (Remote Control) (3 Quart) Used on type Nos. 0136, 0156, 0159, 0161.	155	220107	Cam—Speed Adjuster		
	Note:	26826 Spring—Exhaust Valve Used on type Nos. 0035, 0036, 0154.	95	93499	Screw—Throttle Valve Mounting Sem	156	220949	Lever—Speed Adjuster	
37	222403	Guard—Flywheel		96	211203	Valve—Throttle	163	270488	Gasket—Air Cleaner Mounting
40	93312	Retainer—Valve Spring		97	392629	Shaft and Lever— Throttle	163A	27660	Gasket—Air Cleaner Mounting
	Note:	292259 Rotocap— Exhaust Valve 230126 Pin—Rotocap Exhaust Valve Retainer 230127 Retainer— Exhaust Valve Rotocap Used on type Nos. 0035, 0036, 0154.		98	93524	Screw—Machine, Rd. Hd. —5-40 x 1/2"	165	93856	Wing Nut
45	261250	Tappet—Valve		99	393586	Spring (Includes Fil. Hd. Screw)	166	231176	Stud—Air Cleaner
46	392171	Gear—Cam		114	66594	Gasket—Needle Valve Nut	172	271077	Gasket—Air Cleaner
	Note:	392275 Gear—Cam Used on type Nos. 0117, 0130, 0142, 0155.		116	65978	Packing—Needle Valve	180	296591	Tank Assy. —Fuel (2 Quart) Note: 299817 Tank Assy. — Fuel (1 Quart) Uses: 93062 Screw—Bracket to Cylinder Mtg. 66432 Washer—Bracket to Cylinder Mtg. Used on type Nos. 0138, 0141. 296592 Tank Assy. — Fuel (3 Quart) Used on type Nos. 0136, 0156, 0159, 0161.
52	392854	Gasket—Intake Elbow Mounting (2 used)		117	230590	Nut—Needle Valve	181	298425	Cap—Fuel Tank
56	280117	Pulley—Rewind Starter		118	23433	Valve—Needle	190	93341	Screw—Fuel Tank Mounting Sem
57	294303	Spring—Rewind Starter		124	93357	Screw—Hex. Hd.	191	*27911	Gasket—Fuel Tank Mounting Note: Engines using 3 quart. tank No. 296592 require (2) gaskets.
58	66694	Rope—Starter—47-1/8"		147	230591	Seat—Needle Valve	200	392913	Blade—Governor
59	230228	Pin—Starter Grip		148	22235	Washer—Needle Valve	201	261372	Link—Governor
60	393152	Grip—Starter Rope		149	26336	Spring—Needle Valve	203	297069	Crank—Bell
66	298310	Clutch Assembly— Rewind Starter		151	93349	Screw—Machine, Rd. Hd. 5-40 x 5/8"	203A	221147	Crank—Bell
67	211383	Housing—Starter Clutch			Note:	93350 Screw—Machine, Rd. Hd. —5-40 x 3/4"	204	230531	Collar—Bell Crank
68	63770	Ball—Clutch			Used on type Nos. 0136, 0145, 0151, 0159.	205	93177	Screw—Bell Crank	
70	298436	Ratchet—Rewind Starter				209	260041	Spring—Air Vane Gov.	
71	221653	Washer—Clutch Retainer							
73	221661	Screen—Rotating							
74	93490	Screw—Rotating Screen Mounting Sem							
75	220865	Washer—Spring							

* Included in Gasket Set—Part No.
392856.

REF. NO.	PART NO.	DESCRIPTION	REF. NO.	PART NO.	DESCRIPTION	REF. NO.	PART NO.	DESCRIPTION
	Note:	260662 Spring—Air Vane Governor Used on type Nos. 0130, 0132, 0133, 0137, 0140, 0141, 0142, 0143, 0144, 0146, 0149, 0155, 0156, 0157, 0162, 0164, 0166, 0167.	299	392811	Muffler—Exhaust (Lo-Tone)	348	296110	Plate Assembly—Stop Switch Insulator
		260687 Spring—Air Vane Governor Used on type Nos. 0131, 0134, 0136, 0138, 0145, 0151, 0159.	303	91943	Elbow—Exhaust (90° Street)	353	92791	Washer—Lock—Shakeproof
216	260449	Link—Choke	304	392628	Housing—Blower (For Rope Starter) Used on <i>Model 111231</i> .	354	90576	Nut—Hex.—8-32
217	260189	Spring—Choke Link	305	93158	Screw—Sem	356	391115	Wire—Ground Note: 392074 Wire—Ground Used on type Nos. 0016, 0035, 0036, 0099, 0131, 0132, 0133, 0134, 0137, 0144, 0145, 0146, 0150, 0151, 0152, 0153, 0154, 0156, 0158, 0160, 0162.
218	221198	Washer—Choke Link (3)	306	222681	Shield—Cylinder			295413 Wire—Ground Used on type Nos. 0139, 0148, 0163, 0166.
256	220952	Lever—Speed Adjuster	307	93042	Screw—Cylinder Shield Mounting Sem	357	91539	Key—3/16" Square Note: 93065 Key—Woodruff Used on type No. 0123.
257	93263	Screw—Fil. Hd., 10-32 x 3/8"	308	222679	Cover—Cylinder Head	358	392856	Gasket Set
265	221370	Clamp—Casing Note: 221535 Clamp—Casing Used on type Nos. 0142, 0155.	325	298731	Pulley—Starter (With Screen) (5/8" hole in Pulley)	363	19069	Puller—Flywheel (Optional Accessory)
267	93496	Screw—Sem	330	69932	Rope—Starter	370	66432	Washer—Plain
268	66986	Casing—Control Wire—48" long Note: If longer casing is needed, specify length in inches; if a shorter casing is needed, order No. 66986 and cut to required length.	331	220865	Washer—Flywheel (5/8" hole)	372	220477	Clamp—Condenser
269	26099	Wire—Control 54" long Note: If longer wire is needed, specify length in inches; if shorter wire is needed, order No. 26099 and cut to required length.	332	92284	Nut—Flywheel (5/8-18 right hand thread)	375	294628	Breaker Points and Condenser Set Note: 299061 Ignition Kit Includes: 294628 Point Set 65604 Plunger 61760 Key—Flywheel
270	63426	Locknut—Control Wire Casing	333	298502	Armature—Magneto	392	260455	Spring—Fuel Pump Diaphragm
271	290568	Lever Assy.—Control	334	93381	Screw—Armature Mounting Sem	414	220982	Washer
298	220859	Locknut—Muffler	337	298809	Plug—Spark (with gasket) (1-1/2" High—37-42 M. M.) Note: Spark Plugs use Ignition Cable Terminal No. 221798. 29693 Plug—Spark (With Gasket) 2" High—51 M. M. Used on type No. 0139. 293918 Plug—Spark (With Gasket) 1-1/2" High (Resistor type)	394	270026	Diaphragm
			340	26018	Spring—Breaker Arm	432	221377	Cap—Spring
			341	93381	Screw—Sem	433	93265	Pin—Diaphragm Cover
			342	65704	Plunger—Breaker Point	434	210959	Cover—Diaphragm
			344	93042	Screw—Condenser Clamp Mounting Sem	435	93141	Screw—Diaphragm Cover
			345	220366	Cover—Breaker Point and Condenser	445	392308	Cartridge—Air Cleaner
			346	93705	Screw—Sem.	446	222844	Base—Air Cleaner
						446A	222593	Base—Air Cleaner
						447	93817	Screw, Cover Mtg.

111200 to 111299

REF. NO. 467 - 871

REF. NO.	PART NO.	DESCRIPTION	REF. NO.	PART NO.	DESCRIPTION	REF. NO.	PART NO.	DESCRIPTION
467	212293	Knob—Air Cleaner	549	271118	Washer—Air Cleaner	634	270167	Washer—Throttle Shaft (Felt)
506	90200	Screw—Machine, Fil. Hd. —8-32 x 1/2"	549A	270978	Washer (Below Internal Screw Head)	635	66538	Elbow—Spark Plug
507	66895	Insulator	608	392865	Starter Assy. —Rewind (10 o'clock)	642	222626	Cover—Air Cleaner
516	260374	Spring—Connector		Note:	392910 Starter Assy. —Rewind (12 o'clock)	643	221321	Cup—Air Cleaner
521	298529	Shielding—Ignition Cable			Used on type Nos. 0016, 0035, 0135, 0154, 0160.	643A	222845	Cup—Air Cleaner (1/2" deep)
526	93343	Screw—Tank Bracket Mounting Sem	611	391813	Fuel Pipe and Clip Assembly	643B	222594	Cup—Air Cleaner (1/4" deep)
527	221279	Clamp—Breather Tube		Note:	297219 Pipe—Fuel (2-5/8" long) Plastic	645	23513	Bushing—Plunger
528	230634	Tube—Breather			Used on type No. 0138, 0141.	676	222522	Deflector—Exhaust
529	67608	Grommet—Breather Tube	612	296811	Pipe—Fuel (1-5/8" long) Plastic		Note:	392191 Arrestor—Spark Used on type No. 0158.
534	93322	Screw—Air Cleaner	614	222161	Anchor—Spring	681	299060	Needle Valve Kit
534A	93825	Screw—Air Cleaner	621	297472	Switch—Stop	851	221798	Terminal—Ignition Cable
535	27987	Element—Air Cleaner	628	93149	Screw—Machine, Rd. Hd. —5-40 x 3/8"	852	392368	Cleaner Group—Air
535A	270979	Element—Air Cleaner	629	260871	Spring—Throttle Return	854	392884	Bracket Assembly—Stop Switch
536	297036	Cleaner Assy. —Air	630	221425	Arm—Throttle Control	869	210879	Seat—Intake Valve (Standard)
538	260683	Rod—Speed Control (square rod)	631	221427	Washer—Throttle Control Arm	870	211291	Seat—Exhaust Valve (Standard)
539	260684	Link—Rod				871	63709	Guide—Exhaust Valve
540	221380	Lever—Speed Adjuster						
540A	220678	Lever—Speed Adjuster						
541	22398	Washer—Speed Adjuster and Governor Lever						
542	393586	Screw—Machine, Fil. Hd. (Includes Spring)						