

100900 to 100999

Illustrated Parts List

Model Series 100900 to 100999

TYPE NUMBERS
0010 through 0040
0010 through 0369
400000 through 400108

TO FIND

THE CORRECT NUMBER OF THE PART YOU NEED:

FOLLOW THE INSTRUCTIONS BELOW:

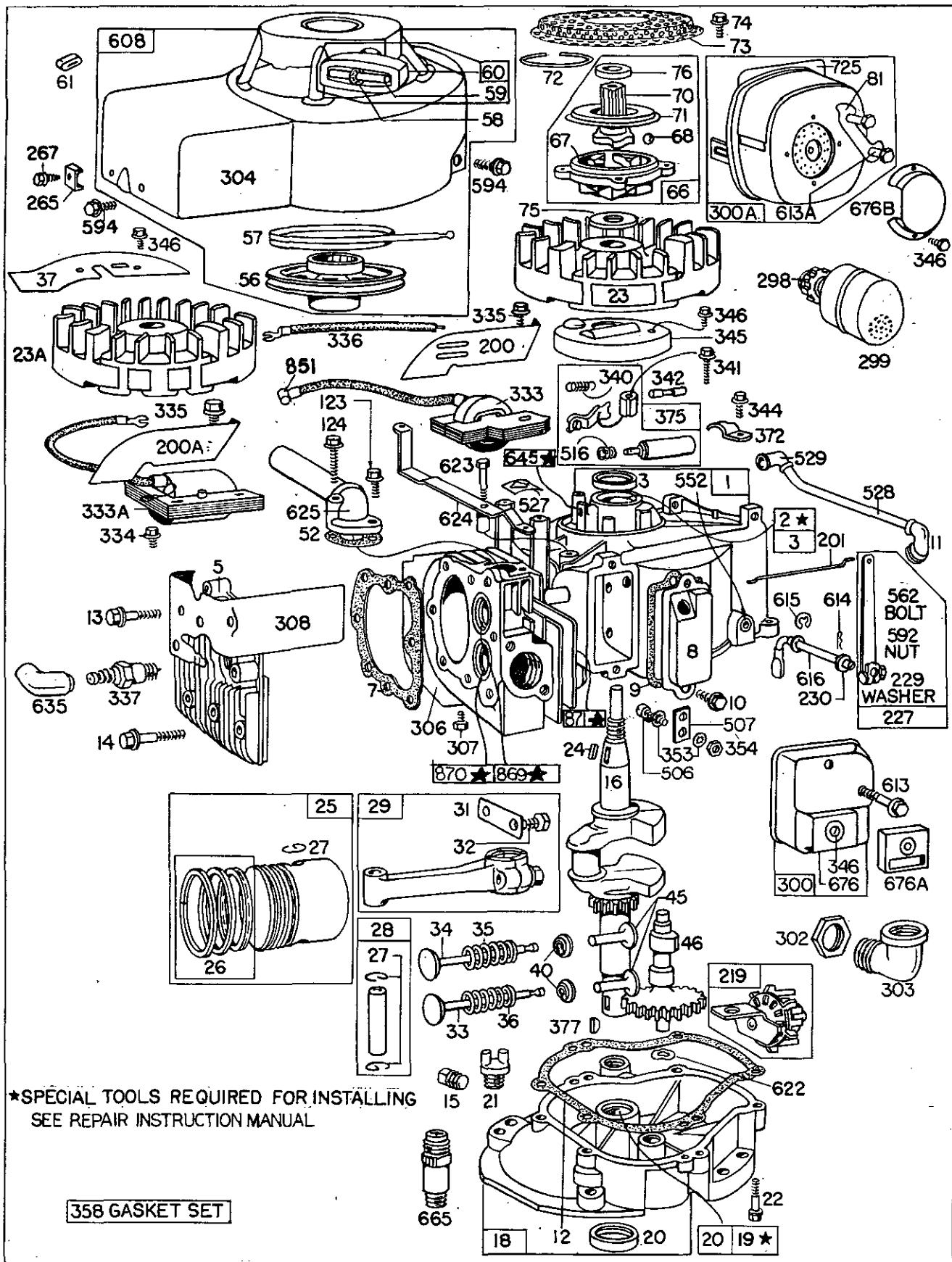
- A. Refer to Engine Model, Type and Code Number that is stamped on the blower housing or nameplate of engine. Engine type numbers such as 0147 01 are listed herein only as 0147. The two digits (01 or 02, etc.) to the right of the space are not needed for parts identification. Then use the Illustrated Parts List covering these Model Series.
- B. Refer to Illustrated Parts section and compare the old part with illustration. The number on the illustration is the Reference Number. Assemblies include all parts shown in frames. All parts shown in assembly frames on which individual reference numbers are given can be purchased separately.
- C. After the Reference Number has been identified, refer to the Numerical Parts List, where Reference and Master Part Numbers are listed. **THE MASTER PART IS USED ON ALL TYPE NUMBERS EXCEPT THOSE TYPE NUMBERS UNDER "NOTE".**
- D. If a "Note" appears below the Master Part Number, this means that this part differs from the Master Part for certain types. If the Type Number is listed under "Note", order the part referred to.
- E. If the Engine Type Number does not appear after any part number listed under "Note", use the Master Part Number.
- F. For Type Numbers higher than those covered by this book, please refer to the factory if you are unable to identify the part by comparison.

PRINTED IN U.S.A.



COPYRIGHT ©

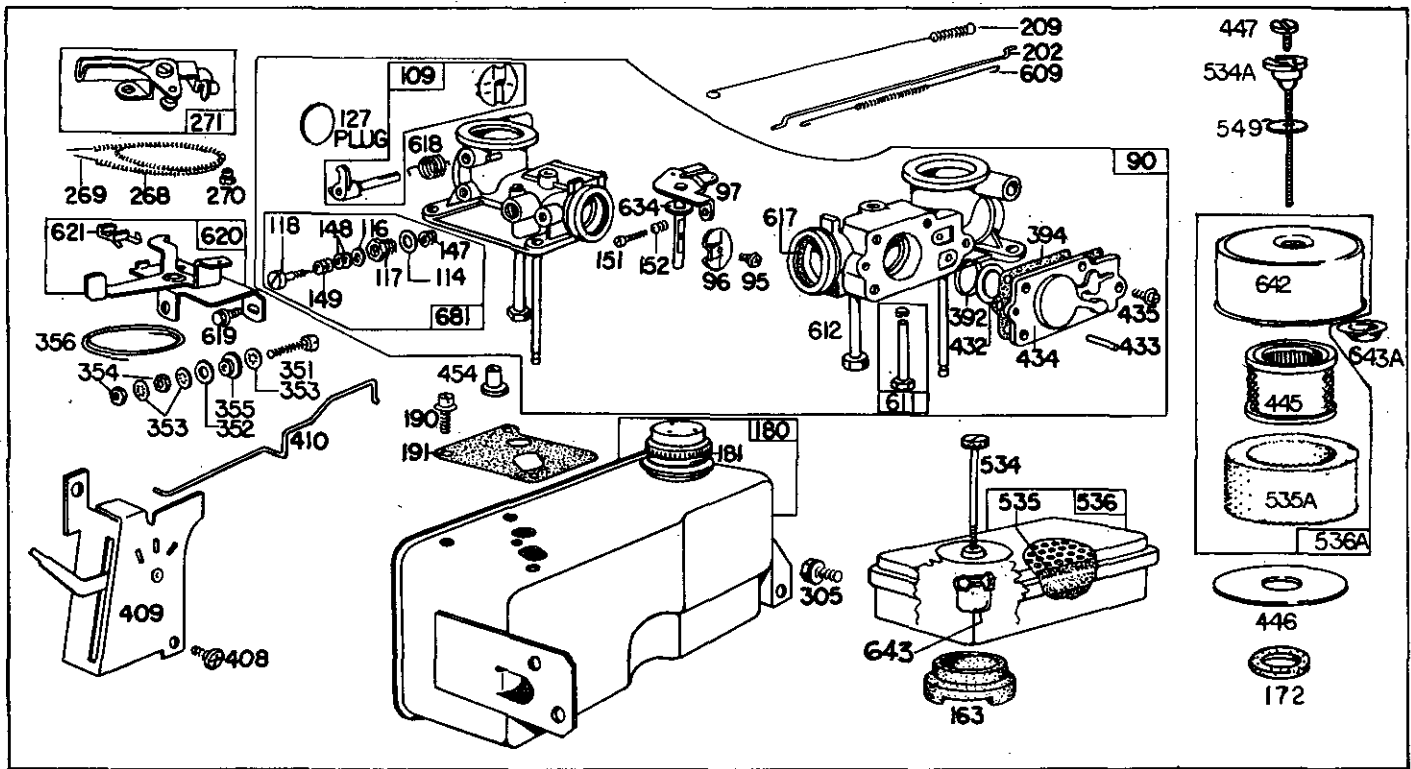
100900 to 100999



1009-1-59

Assemblies include all parts shown in frames.

100900 to 100999



1009-2-59

Assemblies include all parts shown in frames.

REF. NO. 1 - 16

REF. NO.	PART NO.	DESCRIPTION	REF. NO.	PART NO.	DESCRIPTION	REF. NO.	PART NO.	DESCRIPTION
1	391976	Cylinder Assembly	15	91084	Plug—Oil Drain			0015, 0111, 0116,
2	297565	Bushing—Cylinder		Note:	93418 Plug—Oil Drain			0121, 0124, 0130,
		Note: Requires special tools for installation.			(Hexagon Socket Head)			0131, 0134, 0139,
3	299819	Seal—Oil			Used on type Nos.			0140, 0144, 0145,
5	211127	Head—Cylinder			0133, 0138, 0148,			0146, 0147, 0149,
7	*270383	Gasket—Cyl. Head			0152, 0159, 0165,			0156, 0161, 0166,
8	297261	Breather—Valve Chamber			0168, 0173, 0195,			0170, 0176, 0181,
9	*27549	Gasket—Valve Cover			0198, 0202, 0203,			0183, 0185, 0200,
10	93394	Screw—Breather Mounting Sem			0225, 0235, 0269,			0201, 0203, 0217,
11	67738	Grommet—Breather			0275, 0277, 0280,			0223, 0224, 0225,
12	*270069	Gasket—Crankcase— .015" thick (Standard)			0281, 0286, 0287,			0229, 0230, 0242,
	*270122	Gasket—Crankcase— .005" thick			0290, 0291, 0293,			0248, 0258, 0267,
	*270123	Gasket—Crankcase— .009" thick			0303, 0305, 0306,			0268, 0272, 0273,
13	93368	Screw—Cyl. Head (2-3/32" long)			0307, 0316, 0323,			0276, 0281, 0286,
14	93369	Screw—Cyl. Head (2-15/32" long)			0324,			0296, 0298, 0299,
					400027, 400044,			0300, 0309, 0313,
					400045, 400065,			0318, 0320, 0321,
					400066, 400074,			0322, 0326, 0327,
					400075, 400076,			0330, 0331, 0332,
					400080, 400081,			0335, 0336, 0346,
					400098, 400099.			0347, 0351, 0359,
			16	260646	Crankshaft			0361, 0363,
				Note:	260650 Crankshaft			400016, 400023,
					Used on type Nos.			400024, 400026,
								400027, 400028,

* Included in Gasket Set— Part No. 297616

100900 to 100999

REF. NO. 16 - 26

REF. NO.	PART NO.	DESCRIPTION	REF. NO.	PART NO.	DESCRIPTION	REF. NO.	PART NO.	DESCRIPTION		
	400033, 400038, 400042, 400043, 400049, 400057, 400062, 400064, 400065, 400066, 400068, 400077, 400082, 400092, 400095, 400096, 400101, 400105.	260826 Crankshaft Used on type Nos. 0137, 0197, 0319, 400085.		400078, 400079, 400081, 400083, 400087, 400089, 400094, 400097, 400099, 400102, 400104, 400106, 400108.	260996 Crankshaft Used on type Nos. 0287, 0291, 0305, 0306.	21	66768	Plug-Oil Filler Note: 298715 Tube Assy. - Oil Filler Used on type Nos. 0239, 0286, 0343. Includes: 298664 Cap & Dip- stick-Oil Filler 298665 Tube-Oil 270306 Seal Used between Tube and Sump. 231004 Retainer- Oil Seal Used between Oil Seal and Tube		
	260908 Crankshaft Used on type Nos. 0017, 0112, 0117, 0122, 0125, 0132, 0143, 0148, 0150, 0151, 0152, 0153, 0157, 0159, 0164, 0167, 0168, 0171, 0173, 0175, 0177, 0179, 0180, 0186, 0187, 0191, 0194, 0202, 0211, 0214, 0215, 0219, 0221, 0226, 0227, 0233, 0235, 0236, 0243, 0244, 0246, 0247, 0251, 0252, 0257, 0260, 0262, 0266, 0271, 0274, 0275, 0279, 0283, 0285, 0288, 0289, 0290, 0293, 0294, 0295, 0297, 0303, 0304, 0307, 0310, 0317, 0324, 0328, 0329, 0333, 0334, 0337, 0338, 0339, 0341, 0342, 0344, 0345, 0352, 0354, 0360, 0362, 0365, 0366, 0367, 0368, 400017, 400036, 400044, 400045, 400047, 400048, 400051, 400054, 400056, 400061, 400063, 400069, 400071, 400074,	260908 Crankshaft Used on type Nos. 0017, 0112, 0117, 0122, 0123, 0124, 0125, 0133, 0156, 0160, 0163, 0169, 0182, 0204, 0209, 0212, 0216, 0227, 0234, 0240, 0241, 0247, 0259, 0265, 0270, 0282, 0301, 0310, 0319, 0330, 0332, 0334, 0339, 0342, 0352, 0356, 0365, 0366, 400100, 400101, 400102.	18 297587 Sump-Oil Note: 298211 Sump-Oil Used on type Nos. 0040, 0120, 0121, 0122, 0123, 0124, 0125, 0133, 0156, 0160, 0163, 0169, 0182, 0204, 0209, 0212, 0216, 0227, 0234, 0240, 0241, 0247, 0259, 0265, 0270, 0282, 0301, 0310, 0319, 0330, 0332, 0334, 0339, 0342, 0352, 0356, 0365, 0366, 400100, 400101, 400102.		22 93032 Screw-Sump Mounting Sem		23 297229 Flywheel-Magneto (Used after Code No. 6308231)		23A 297348 Flywheel-Magneto (Used before Code No. 6308261)	
	260908 Crankshaft Used on type Nos. 0017, 0112, 0117, 0122, 0123, 0124, 0125, 0133, 0156, 0160, 0163, 0169, 0182, 0204, 0209, 0212, 0216, 0227, 0234, 0240, 0241, 0247, 0259, 0265, 0270, 0282, 0301, 0310, 0319, 0330, 0332, 0334, 0339, 0342, 0352, 0356, 0365, 0366, 400100, 400101, 400102.	19 297604 Bushing-Oil Sump Note: Requires special tools for installation.		24 61760 Key-Flywheel		25 298168 Piston Assembly- Standard		298169 Piston Assembly- .010" O.S.		298170 Piston Assembly- .020" O.S.
	260908 Crankshaft Used on type Nos. 0017, 0112, 0117, 0122, 0123, 0124, 0125, 0133, 0156, 0160, 0163, 0169, 0182, 0204, 0209, 0212, 0216, 0227, 0234, 0240, 0241, 0247, 0259, 0265, 0270, 0282, 0301, 0310, 0319, 0330, 0332, 0334, 0339, 0342, 0352, 0356, 0365, 0366, 400100, 400101, 400102.	20 294167 Seal-Oil Note: 298041 Seal-Oil (For Auxiliary Drive Shaft) Used on type Nos. 0040, 0120, 0121, 0122, 0123, 0124, 0125, 0133, 0156, 0160, 0163, 0169, 0182, 0204, 0209, 0212, 0216, 0227, 0234, 0240, 0241, 0247, 0259, 0265, 0270, 0282, 0301, 0310, 0319, 0330, 0332, 0334, 0339, 0342, 0352, 0356, 0365, 0366, 400100, 400101, 400102.		298171 Piston Assembly- .030" O.S.		PISTON RING SETS: Note: For Chrome Piston Ring Set-standard size-order Part No. 298744. (Available only for Engines after Code 6306141) The following Piston Ring Sets are used after Code No. 6306141:		26 298174 Ring Set-Std. Piston		298175 Ring Set-.010" O.S. Piston
	260908 Crankshaft Used on type Nos. 0017, 0112, 0117, 0122, 0123, 0124, 0125, 0133, 0156, 0160, 0163, 0169, 0182, 0204, 0209, 0212, 0216, 0227, 0234, 0240, 0241, 0247, 0259, 0265, 0270, 0282, 0301, 0310, 0319, 0330, 0332, 0334, 0339, 0342, 0352, 0356, 0365, 0366, 400100, 400101, 400102.			298176 Ring Set-.020" O.S. Piston						

REF. NO.	PART NO.	DESCRIPTION	REF. NO.	PART NO.	DESCRIPTION	REF. NO.	PART NO.	DESCRIPTION
	298177	Ring Set-.030" O. S. Piston The following Piston Ring Sets are used before Code No. 6306171:	46	211117	Gear-Cam			Note: 298798 Clutch Assy. - Rewind Starter
	297575	Ring Set-Standard Piston		Note: 211284	Gear-Cam Used on type Nos. 0040, 0120, 0121, 0122, 0123, 0124, 0125, 0133, 0156, 0160, 0163, 0169, 0182, 0204, 0209, 0212, 0216, 0227, 0234, 0240, 0241, 0247, 0259, 0265, 0270, 0282, 0301, 0310, 0319, 0330, 0332, 0334, 0339, 0342, 0352, 0356, 0365, 0366, 400100, 400101, 400102.			Uses: 212132 Housing-Starter Clutch 66718 Washer-Thrust 298799 Ratchet 221653 Washer-Clutch Retainer Used before Code No. 6405250.
	297576	Ring Set-.010" O. S. Piston						
	297577	Ring Set-.020" O. S. Piston						
	297578	Ring Set-.030" O. S. Piston				67	212131	Housing-Str. Clutch Used after Code No. 6405220.
27	260645	Lock-Piston Pin						Note: 210400 Housing-Starter Clutch Used before Code No. 6405250.
28	297581	Pin-Assembly-Piston-Standard						
	297582	Pin Assembly-Piston-.005" O. S.	52	*270070	Gasket-Intake Elbow Mounting	68	63770	Ball-Clutch
29	297568	Rod Assembly-Conn. Note: For Connecting Rod with .020" undersize Crankpin Bore-order No. 298786.	56	280117	Pulley-Rewind Starter Used after Code No. 6507211.	70	298436	Ratchet-Str. Clutch Used after Code No. 6405220.
				Note: 294088	Pulley-Rewind Starter Used before Code No. 6507221.			Note: 296597 Ratchet-Rewind Starter Used before Code No. 6405250.
31	221741	Lock-Conn. Rod Used after Code No. 6503231.				71	221653	Washer-Clutch Ret. Used after Code No. 6405220.
		Note: 221451 Lock-Conn. Rod Screw Used before Code No. 6503241.	57	294303	Spring-Rewind Starter			Note: 221301 Washer-Clutch Retainer Used before Code No. 6405250.
			58	66694	Rope-Rewind Starter-47-1/8" Long Used after Code No. 6507211.			
32	93450	Screw-Conn. Rod Used after Code No. 6503231.		Note: 294584	Rope-Rewind Starter-47-1/8" Long Used before Code No. 6507221.	72	26032	Spring-Clutch Ret. Used before Code No. 6405250.
		Note: 91162 Screw-Conn. Rod Used before Code No. 6503241.				73	221661	Screen-Rewind Str. Used after Code No. 6405220.
33	211119	Valve-Exhaust						Note: 220648 Screen Rewind Starter Used before Code No. 6405250.
34	261044	Valve-Intake Used after Code No. 6911201.						
		Note: 260961 Valve-Intake Used before Code No. 6911211	59	230228	Pin-Starter Rope	74	93490	Screw-Rotating Screen Mounting Sem
35	260552	Spring-Intake Valve	60	66728	Grip-Starter Rope	75	220865	Washer-Spring
36	26478	Spring-Exhaust Valve	61	68618	Bumper-Str. Pulley (Used only with Steel Pulley)	76	68238	Washer-Ratchet Sealing
37	222443	Guard-Flywheel						Note: 270045 Washer-Sealing Used before Code No. 6405250 on type No. 0173.
40	93312	Retainer-Valve Spg.						
45	260642	Tappet-Valve	66	298310	Clutch Assembly-Rewind Starter Used after Code No. 6405220.			

* Included in Gasket Set-
Part No. 297616

100900 to 100999

REF. NO. 81 - 267

REF. NO.	PART NO.	DESCRIPTION	REF. NO.	PART NO.	DESCRIPTION	REF. NO.	PART NO.	DESCRIPTION
81	222263	Lock-Muffler Screw			(Used after Code No. 6308231)			0369,
90	297567	Carburetor Assembly						400020, 400024,
95	93499	Screw-Throttle Valve to Shaft Sem	200A	221508	Guide-Air			400025, 400026,
96	211237	Valve-Throttle			(Used before Code No. 6308261)			400027, 400033,
97	299692	Shaft and Lever-Thr.	201	260649	Link-Governor			400038, 400044,
109	390076	Shaft, Lever and Valve-Choke	202	260654	Link-Throttle			400045, 400053,
114	66594	Gasket-Needle Valve Nut	209	260703	Spring-Governor			400055, 400058,
116	65978	Packing-Needle Valve			Note: 260711 Spring-Governor			400059, 400062,
117	230590	Nut-Needle Valve			Used on type Nos.			400065, 400066,
118	23433	Valve-Needle			0015, 0016, 0017,			400068, 400071,
123	93512	Screw-Intake Elbow Mounting			0040, 0131, 0132,			400074, 400075,
124	93367	Screw-Intake Elbow Mounting			0134, 0135, 0136,			400076, 400081,
127	22831	Plug-Welch			0138, 0140, 0144,			400090, 400092,
147	230591	Seat-Needle Valve			0145, 0146, 0148,			400099.
148	22235	Washer-Needle Valve			0151, 0152, 0154,			261047 Spring-Governor
149	26336	Spring-Needle Valve			0158, 0159, 0161,			Used on type Nos.
151	93527	Screw-Rd. Hd. - 5-40 x 5/8"			0163, 0166, 0168,			0199, 0303, 0304,
152	260575	Spring-Throttle Adjustment			0170, 0172, 0173,			0305, 0306, 0307,
163	27660	Gasket-Air Cl. Mtg.			0176, 0181, 0182,			0316, 0318, 0337,
	Note:	270488 Gasket-Air Cleaner Mounting			0183, 0185, 0186,			0338, 0345, 0350,
		Used on type Nos. 0250, 0269, 0275, 0287, 0290, 0296, 0307,			0187, 0190, 0191,			0352, 0354, 0360,
		270730 Gasket-Air Cleaner Mounting			0195, 0198, 0199,			0365, 0367, 0368.
		Used on type Nos. 0335, 0346.			0200, 0201, 0202,			261108 Spring-Governor
172	271077	Gasket-Air Cleaner			0203, 0204, 0206,			Used on type No. 0329.
180	297257	Tank Assembly-Fuel			0209, 0210, 0217,			219 297249 Oil Slinger Gear, Governor and Bracket
181	392304	Cap-Fuel Tank			0219, 0220, 0222,			227 391967 Lever Assembly-Governor
	Note:	297863 Cap-Fuel Tank			0223, 0224, 0225,			(For 1/4" dia. Crank)
		Used on type Nos. 0173, 0266.			0227, 0228, 0232,			(Used after Code No. 75102806)
		298425 Cap-Fuel Tank			0238, 0239, 0244,			Note: 297583 Lever Assy. - Governor
		Used on type Nos. 0134, 0140, 0152.			0245, 0248, 0249,			(For 3/16" dia. Crank)
190	93440	Screw-Fuel Tank Mounting			0253, 0258, 0260,			(Used before Code No. 75102906)
191	*270073	Gasket-Fuel Tank Mounting (2)			0261, 0262, 0263,			229 220680 Washer-Gov. Lever
200	221480	Guide-Air			0264, 0265, 0267,			230 222450 Washer-Gov. Crank
					0268, 0269, 0272,			(For 1/4" I. D.)
					0273, 0274, 0275,			Note: 221559 Washer-Gov. Crank
					0276, 0277, 0279,			(For 3/16" I. D.)
					0282, 0285, 0287,			265 22372 Clamp-Casing
					0290, 0291, 0292,			Note: For clamp mounted with cylinder head screw-order No. 221534
					0294, 0295, 0296,			267 93469 Screw-Clamp Mtg.
					0297, 0298, 0299,			
					0300, 0301, 0302,			
					0308, 0309, 0310,			
					0312, 0313, 0315,			
					0321, 0322, 0324,			
					0325, 0326, 0327,			
					0331, 0334, 0335,			
					0339, 0340, 0341,			
					0342, 0344, 0346,			
					0347, 0351, 0356,			
					0357, 0358, 0361,			
					0362, 0364, 0366,			

* Included in Gasket Set- Part No. 297616

REF. NO.	PART NO.	DESCRIPTION	REF. NO.	PART NO.	DESCRIPTION	REF. NO.	PART NO.	DESCRIPTION
268	66986	Casing—Control Wire—48" Long Note: If longer casing is needed, specify length in inches; if a shorter casing is needed order No. 66986 and cut to required length.			0273, 0280, 0289, 0295, 0311, 0319, 0320, 0321, 0330, 0332, 0345, 0363, 400025, 400026, 400027, 400028, 400031, 400038, 400039, 400042, 400043, 400048, 400050, 400055, 400056, 400064, 400065, 400078, 400085, 400087, 400092, 400093.			400020, 400053, 400059, 400068, 400069, 400080, 400084, 400098, 400103, 400106.
269	26099	Wire—Control, 54" Long Note: If longer wire is needed, specify length in inches; if shorter wire is needed order No. 26099 and cut to required length.			392811 Muffler—Exhaust Used on type Nos. 0339, 0366.			297631 Housing—Blower (For Rewind Starter) Used on type Nos. 0130, 0137, 0144, 0151, 0159, 0164, 0168, 0171, 0179, 0185, 0186, 0187, 0193, 0197, 0202, 0203, 0208, 0214, 0215, 0217, 0224, 0226, 0232, 0254, 0256, 0257, 0258, 0260, 0265, 0268, 0288, 0290, 0296, 0304, 0319, 0324, 0353, 400022, 400045, 400048, 400052, 400062, 400071, 400077, 400081, 400083, 400085, 400094, 400095, 400099.
270	63426	Locknut—Control Wire Casing	300A	391313	Muffler—Exhaust			
271	290568	Lever Assembly—Control	302	261409	Locknut—Muffler and Elbow Note: 220859 Locknut—Muffler Used on type Nos. 0339, 0366.			
298	220859	Locknut—Muffler						
299	392811	Muffler—Exhaust						
300	297274	Muffler—Exhaust (Side Outlet) Note: 294599 Muffler—Exhaust Used on type Nos. 0136, 0154, 0179, 0180, 0185, 0190, 0191, 0194, 0196, 0204, 0212, 0213, 0214, 0215, 0221, 0252, 0257, 0270, 0282, 0288, 0304, 0318, 0324, 0351, 400020, 400053, 400059, 400079, 400083, 400095, 297506 Muffler—Exhaust (Direct Outlet) Used on type Nos. 0035, 0037, 0038, 0133, 0137, 0141, 0145, 0146, 0149, 0163, 0170, 0175, 0177, 0186, 0189, 0197, 0206, 0211, 0233, 0241, 0272,	303	91464	Elbow—Muffler, 90 Degree, Street Note: 91219 Elbow—Exhaust—45 Degree Street Used on type Nos. 0214, 0221, 0252. 91464 Elbow—Exhaust—90 Degree, Street Used on type Nos. 0252, 0257.			297636 Housing—Blower (For Rewind Starter) Used on type Nos. 0199, 0225, 0286, 0292, 0308, 0313, 0316, 0318, 0321, 0341, 0342, 0343, 0345, 0350, 0351, 0352, 0360, 0364, 0365. 297742 Housing—Blower (For Rewind Starter) Used on type Nos. 0152, 0173, 0207, 0221, 0238, 0252, 0275, 0281, 0303, 0307, 0311, 0317, 0333, 0357, 0359, 400044, 400076.
			304		Housing—Blower For type Numbers not listed below, see Ref. No. 608. Note: 297543 Housing—Blower (For Rewind Starter) Used on type Nos. 0131, 0136, 0140, 0150, 0153, 0154, 0157, 0165, 0192, 0195, 0228, 0249, 0293, 0295, 0358, 0362,			

100900 to 100999

REF. NO. 304 - 535A

REF. NO.	PART NO.	DESCRIPTION	REF. NO.	PART NO.	DESCRIPTION	REF. NO.	PART NO.	DESCRIPTION
		297992 Housing—Blower (For Rewind Starter) Used on type Nos. 0248, 0250, 0251, 0289, 0295, 0337.	341	93381	Screw—Breaker Arm Mounting Sem	435	93141	Screw—Diaphragm Cover
		298028 Housing—Blower (For Rewind Starter) Used on type Nos. 0138, 0198, 0248, 0269, 0287, 0354, 400075.	342	65704	Plunger—Breaker Point	445	392308	Cartridge—Air Cleaner
305	93158	Screw—Tank Brkt. Mounting Sem	344	93042	Screw—Condenser Clamp Mounting Sem	446	222844	Base—Air Cleaner
306	221484	Shield—Cylinder	345	220366	Cover—Breaker Point and Condenser	447	93817	Screw—Cover Mtg.
307	93042	Screw—Cylinder Shield Mounting Sem	346	93705	Screw—Hex. Head	454	296178	Housing—Fuel Pipe Screen (For 3/16" O.D. Pipe)
308	221452	Cover—Cylinder Head	351	91920	Screw—Machine, Fil. Hd.—8-32 x 5/8"	506	90200	Screw—Machine, Fil. Hd.—8-32 x 1/2"
333	298316	Armature—Magneto Used after Code No. 6308231)	352	66794	Washer—Insulating	507	66895	Insulator
333A	297594	Armature—Magneto (Used before Code No. 6308261)	353	92791	Washer—Lock—Shakeproof (2)	516	260374	Spring—Connector
334	93705	Screw—Air Guide Mounting Sem	354	90576	Nut—Hex.—8-32	527	93376	Clip—Breather Pipe
335	93414	Screw—Armature Mounting Sem	355	66554	Collar—Insulating	528	230717	Tube—Breather
336	297250	Cable—Ignition (Used before Code No. 6208220. Cables used after this Code number are integral with the ignition coil.)	356	298479	Wire—Ground Note: 298581 Wire—Ground Used on type No. 0325. 390919 Wire—Ground Used on type-No. 0365. 391013 Wire—Ground Used on type No. 0366. 391115 Wire—Ground Used on type No. 0359.	529	67608	Grommet—Breather Tube
337	298809	Plug—Spark (with gasket) (1-1/2" High—37-42 M. M.) Note: Spark Plugs use Ignition Cable Terminal No. 221798.	358	297616	Gasket Set	534	93374	Screw—Air Cleaner Note: 63949 Stud—Air Cleaner 92067 Nut—Wing Used on type Nos. 0335, 0346. 93547 Screw—Air Cleaner Used on type Nos. 0267, 0268, 0298, 0315.
		29693 Plug—Spark (with gasket) (2" High—51 M. M.)	372	220477	Clamp—Condenser	534A	93818	Screw—Air Cleaner (Internal)
		293918 Plug—Spark (with gasket) (1-1/2" Resistor Type)	375	294628	Breaker Points and Condenser Set Note: 299061 Ignition Kit Includes: 294628 Point Set 65704 Plunger 61760 Key—Flywheel	535	270067	Element—Air Cleaner Note: 270209 Element—Air Cleaner Uses: 221969 Support—Air Cleaner 280015 Cup—Air Cleaner Used on type Nos. 0267, 0268, 0298, 0315. 390492 Element—Air Cleaner Uses: 221969 Support—Air Cleaner 390588 Cover—Air Cleaner Used on type Nos. 0335, 0346.
340	26018	Spring—Breaker Arm	377	93065	Key—Woodruff No. 6	535A	270979	Element—Air Cleaner
			392	260455	Spring—Fuel Pump Diaphragm			
			394	270026	Diaphragm			
			408	93537	Screw—Sem			
			409	299509	Housing—Speed Control			
			410	260948	Link—Speed Control			
			432	221377	Cap—Spring			
			433	93265	Pin—Diaphragm Cover			
			434	210959	Cover—Diaphragm			

REF. NO.	PART NO.	DESCRIPTION	REF. NO.	PART NO.	DESCRIPTION	REF. NO.	PART NO.	DESCRIPTION		
536	297595	Cleaner Assembly—Air Note: 299593 Cleaner Assembly—Air Used on type Nos. 0267, 0268, 0298, 0315.	613A	93704	Screw—Muffler Mtg.			400037, 400038,		
536A	392368	Cleaner Assy.—Air	614	93306	Cotter—Hair Pin			400039, 400040,		
549	270978	Washer (Below Internal Screw Head)	615	93307	Retainer—E-Ring			400045, 400047,		
552	231078	Bushing—Gov. Shaft (1/4" I. D.) (Used after Code No. 75102806) Note: 230735 Bushing—Gov. Shaft (3/16" I. D.) (Used before Code No. 75102906)	616	231076	Crank—Governor (1/4" dia. Shaft) (Used after Code No. 75102806) Note: 230714 Crank—Gov. (3/16" dia. Shaft) (Used before Code No. 75102906)			400052, 400053,		
562	92613	Bolt—Governor Lever	617	270074	Seal—Intake Elbow Tube			400054, 400055,		
592	231082	Nut—Hex. —10-24	618	260648	Spring—Choke Return			400057, 400058,		
594	93559	Screw—Blower Housing Mtg. Sem	619	93380	Screw—Control Plate Mounting			400059, 400061,		
608	297259	Starter Assy.—Rewind (10 o'clock) Note: 297633 Starter Assy.—Rewind (12 o'clock) Used on type Nos. 0132, 0143, 0161, 0163, 0188, 0196, 0200, 0216, 0218, 0223, 0227, 0240, 0241, 0262, 0263, 0267, 0279, 0284, 0298, 0300, 0312, 0314, 0322, 0325, 0327, 0335, 0338, 0339, 0340, 0347, 0361, 0366, 400029, 400049, 400061, 400096, 400105, 400108. 298027 Starter Assy.—Rewind (8 o'clock) Used on type No. 0368.	620	297548	Plate Assembly—Carburetor Control Note: 297457 Plate Assembly—Carburetor Control Used on type Nos. 0015, 0016, 0017, 0040, 0110, 0111, 0112, 0120, 0121, 0122, 0131, 0134, 0135, 0136, 0140, 0142, 0143, 0144, 0146, 0147, 0151, 0154, 0155, 0158, 0159, 0162, 0164, 0166, 0167, 0168, 0176, 0180, 0181, 0184, 0188, 0189, 0195, 0196, 0203, 0209, 0210, 0211, 0212, 0213, 0214, 0215, 0221, 0231, 0238, 0239, 0242, 0251, 0252, 0253, 0255, 0261, 0274, 0276, 0282, 0283, 0287, 0288, 0291, 0292, 0293, 0294, 0313, 0317, 0318, 0327, 0333, 0351, 0357, 0358, 0359, 400015, 400016, 400017, 400020, 400022, 400024, 400032, 400034,					400062, 400063,
609	260029	Spring—Throttle Link						400066, 400067,		
611	391813	Fuel Pipe and Clip Assembly						400071, 400081,		
612	296811	Pipe—Fuel (Plastic)						400083, 400088,		
613	93377	Screw—Muffler Mounting						400090, 400094,		
								400099, 400100,		
								400101, 400102,		
								400108.		
								391091 Plate Assembly—Carburetor Control Used on type No. 0199.		
						621	297472	Switch—Stop		
						622	260676	Washer—Spring (Used between cam gear boss and oil slinger bracket)		
						623	93838	Screw—Shoulder		
						624	297252	Lever—Linkage		
						625	297254	Elbow and Tube—Intake		
						634	270167	Washer—Throttle Shaft (Felt)		
						635	66538	Elbow—Spark		
						642	222626	Cover—Air Cleaner		
						643	221321	Cup—Air Cleaner		
						643A	222594	Cup—Air Cleaner		
						645	23513	Bushing—Plunger		
						665	296768	Oil Minder		
						676	221488	Deflector—Exhaust (Side Outlet)		
						676A	221527	Deflector—Exhaust (Direct Outlet)		
						676B	222292	Deflector—Exhaust		
						681	299060	Needle Valve Kit		
						725	221885	Shield—Heat		
						851	221798	Terminal—Ignition Cable		
						869	211158	Seat—Intake Valve (Standard)		
						870	211172	Seat—Exhaust Valve (Standard)		
						871	63709	Guide—Exhaust Valve		

