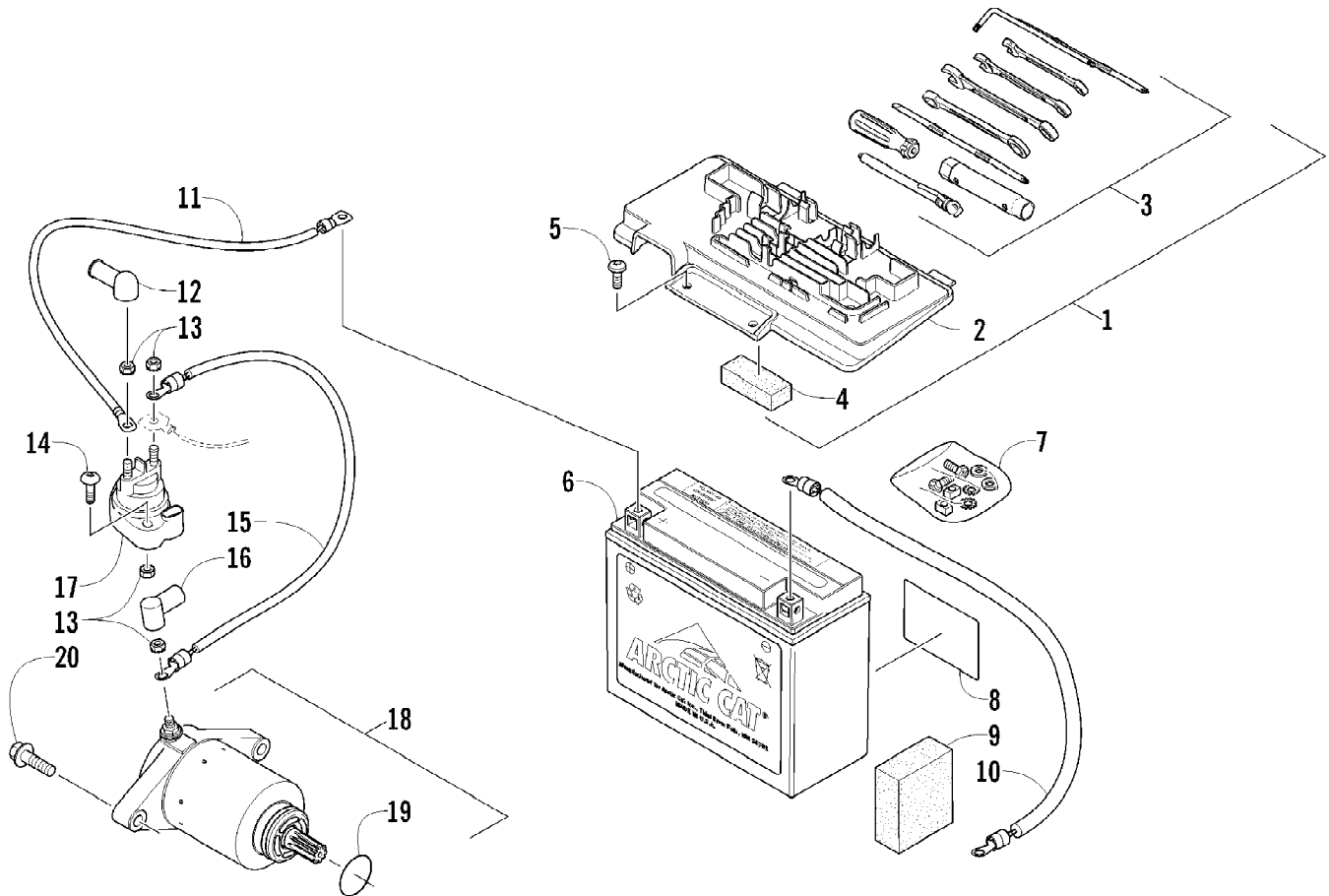


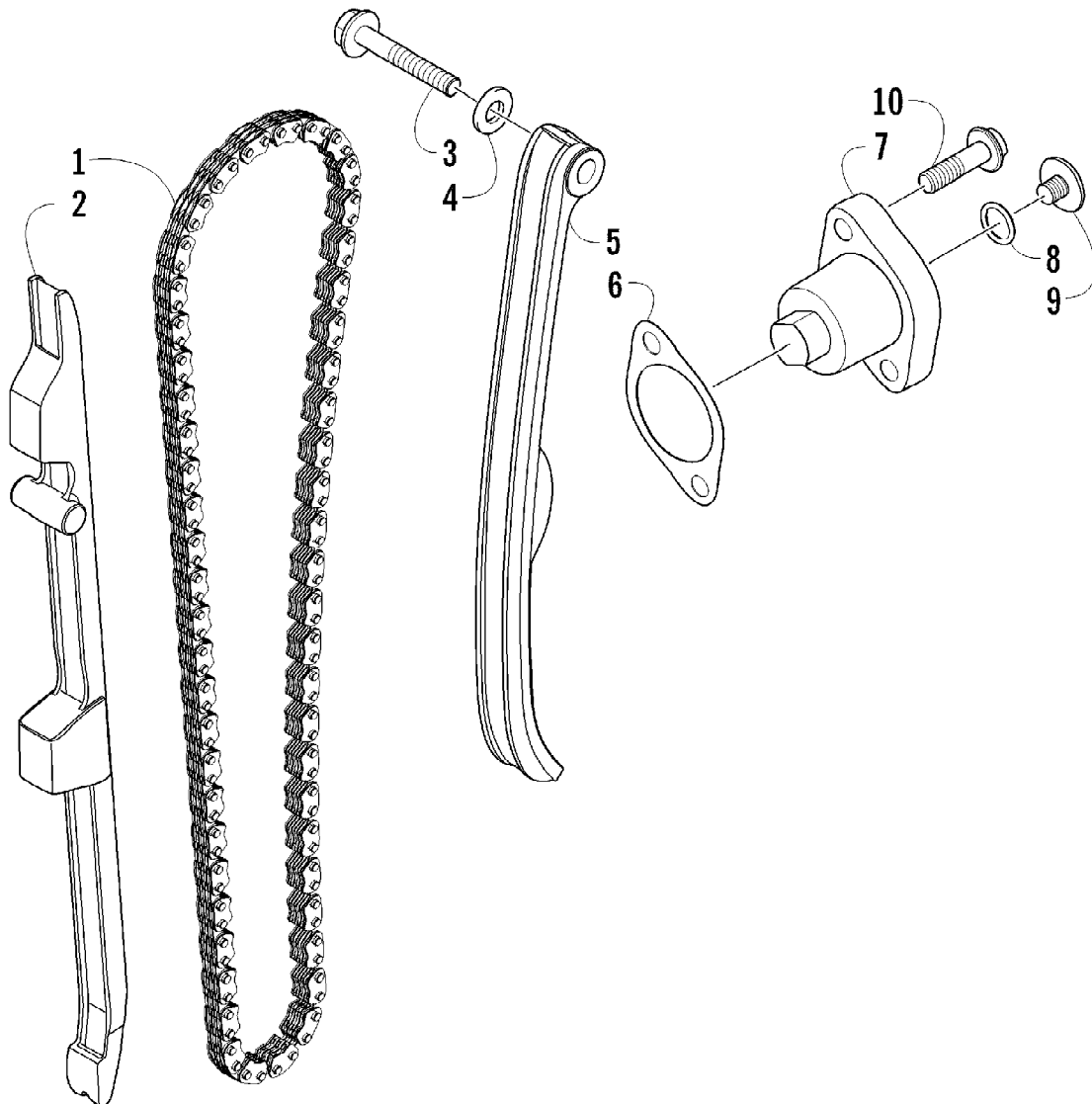
Ref #	Part Number	Qty	S/P/F	Description
1	2406-013	1		Shroud, Splash
2	0623-362	4		Rivet, Reinstallable
3	0413-091	1		Diverter, Air - Top
4	0413-093	1		Diverter, Air - Bottom
5	0423-551	2		Clamp
6	0423-342	2	/P	Screw, Self-Tapping
7	0413-096	1		Cap, Air Intake - Diverter
8	0470-529	1		Duct, Air Intake - Engine
9	0423-019	4		Clamp
10	0470-875	1		Duct, Intake - Diverter/Housing
11	0470-869	1		Boot, Intake - Diverter/Housing
12	0470-872	1		Housing, Intake
13	0470-890	1		Filter, Air
14	0470-888	1		Boot, Adapter
15	0470-891	1		Filter, Vent
16	0470-873	1		Cover, Intake
17	0623-784	11		Screw, Self-Tapping
18	0470-874	1		Cover, Access
19	0423-996	3		Screw, Thumb
20	0470-892	1		Seal
21	1623-637	3		Clip, U-Nut
22	0470-876	1		Duct, Intake - Housing/Throttle Body
23	0470-871	1		Boot, Intake - Housing/Throttle Body
24	1623-281	2		Clamp, Hose
25	0410-173	1	/P	Hose, Vent
26	2416-388	1		Panel, Shield
27	0423-832	1		Clamp



2011 TRV 450 EFI INTERNATIONAL RED (A2011TBK4COSR)
 BATTERY AND STARTER ASSEMBLY

Page 4 of 81

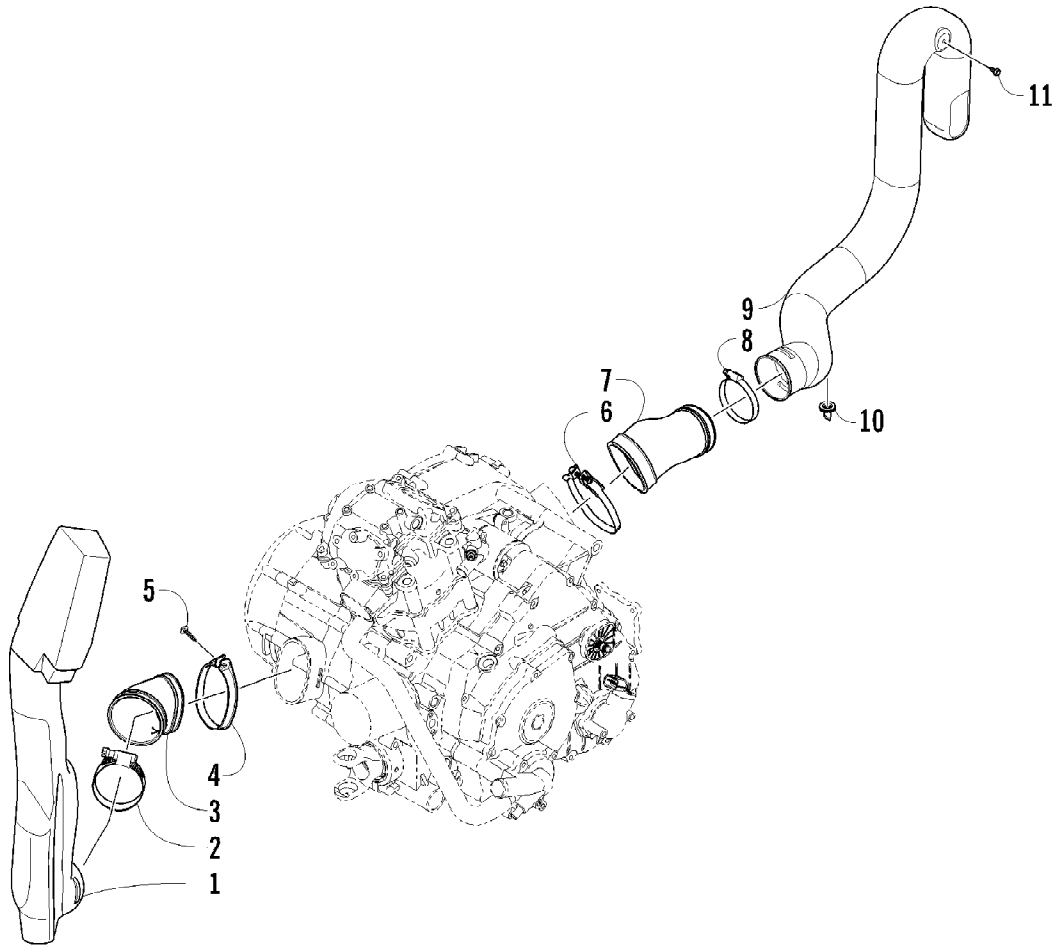
Ref #	Part Number	Qty	S/P/F	Description
1	5991-655	1	/P	Battery Cover/Tool Tray Assembly (inc. 2-4)
2	2406-815	1	/P	Cover, Battery
3	0444-122	1	S/P	Kit, Tool
4	0417-016	1		Pad, Battery
5	8476-620	2		Screw, Machine
6	0645-480	1		Battery Assembly (inc. 7-8)
7	0445-082	1		Kit, Hardware
8	0645-430	1		Decal, Warning
9	0417-017	1		Foam, Battery
10	0445-070	1		Cable, Battery/Ground
11	0445-062	1		Cable, Battery/Solenoid
12	0645-327	1		Boot, Terminal
13	0623-038	5		Nut w/Washer
14	8476-625	2		Screw, Machine
15	0445-064	1		Cable, Solenoid/Starter (inc. 16)
16	0645-019	1		Boot, Terminal
17	0445-058	1	/P	Solenoid
18	3305-954	1		Motor, Starter - Assembly (inc. 19)
19	3304-104	1		O-Ring
20	3305-946	2		Screw, Cap



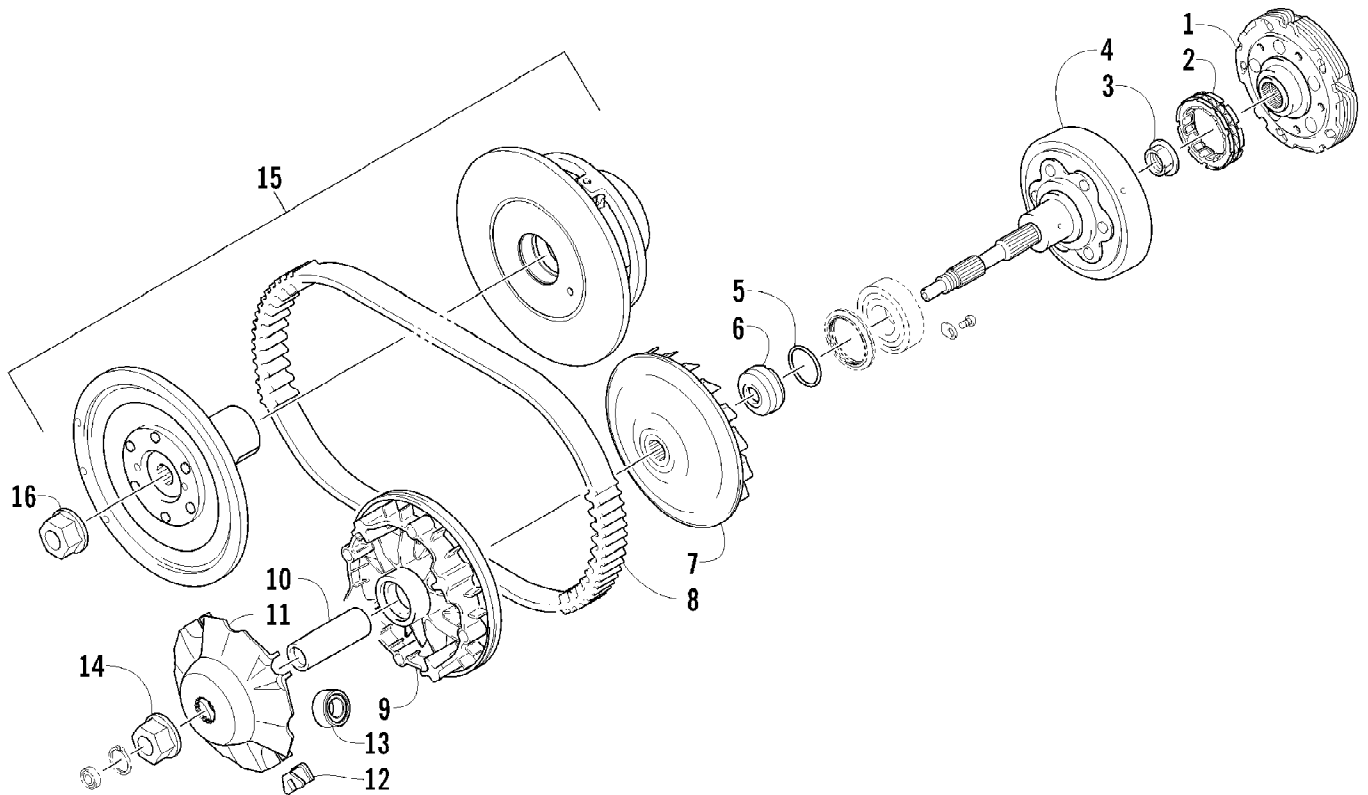
2011 TRV 450 EFI INTERNATIONAL RED (A2011TBK4COSR)
CAM CHAIN ASSEMBLY

Page 6 of 81

Ref #	Part Number	Qty	S/P/F	Description
1	0810-005	1		Chain, Cam
2	0810-068	1		Guide, Chain
3	0826-133	1		Pivot, Tensioner
4	0830-150	1		Washer
5	0810-007	1		Tensioner, Chain
6	3303-035	1		Gasket
7	3303-677	1		Adjuster, Tensioner - Assembly
8	3304-100	1	/P	O-Ring
9	3304-006	1		Screw, Adjuster
10	3303-360	2		Screw, Cap



Ref #	Part Number	Qty	S/P/F	Description
1	0413-126	1		Duct, Air Intake - Front - Lower
2	0423-057	1		Clamp
3	0413-160	1	/P	Boot, Duct - Air Intake - Front
4	0423-550	1		Clamp
5	0423-342	1	/P	Screw, Self-Tapping
6	0423-730	1		Clamp
7	0413-231	1		Boot, Duct - Air Out - Rear
8	0423-019	1		Clamp
9	0413-106	1		Duct, Air Out - Rear
10	0470-442	1	/P	Valve, Drain
11	0623-301	1	/P	Screw, Self-Tapping

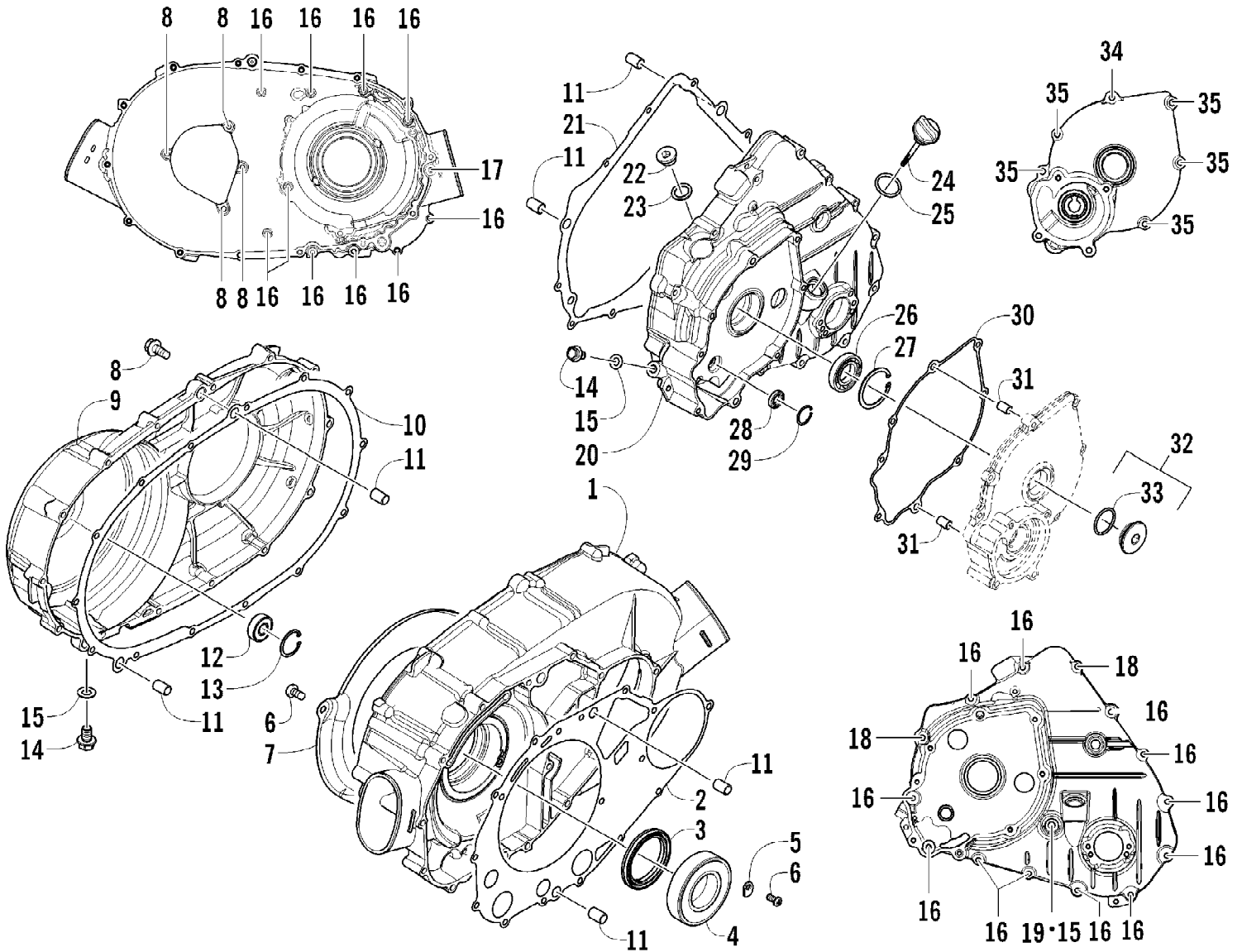


2011 TRV 450 EFI INTERNATIONAL RED (A2011TBK4COSR)
CLUTCH AND DRIVE BELT ASSEMBLY

Page 10 of 81

Ref #	Part Number	Qty	S/P/F	Description
1	0823-328	1		Shoe, Clutch - Assembly
2	0823-198	1		Clutch, One-Way
3	0827-050	1		Nut
4	0823-338	1		Housing, Clutch
5	0830-187	1		O-Ring
6	0823-058	1		Spacer
7	0823-313	1		Face, Fixed Drive
8	0823-228	1		Belt, Drive
9	0823-324	1		Face, Movable Drive
10	0823-206	1		Spacer, Movable Drive Face
11	0823-213	1		Plate, Movable Drive Face
12	0823-214	4		Damper, Movable Drive Face
13	0823-351	8		Roller, Movable Drive Face
14	3323-165	1	/P	Nut
15	0823-350	1		Clutch, Driven - Assembly
16	0827-058	1		Nut

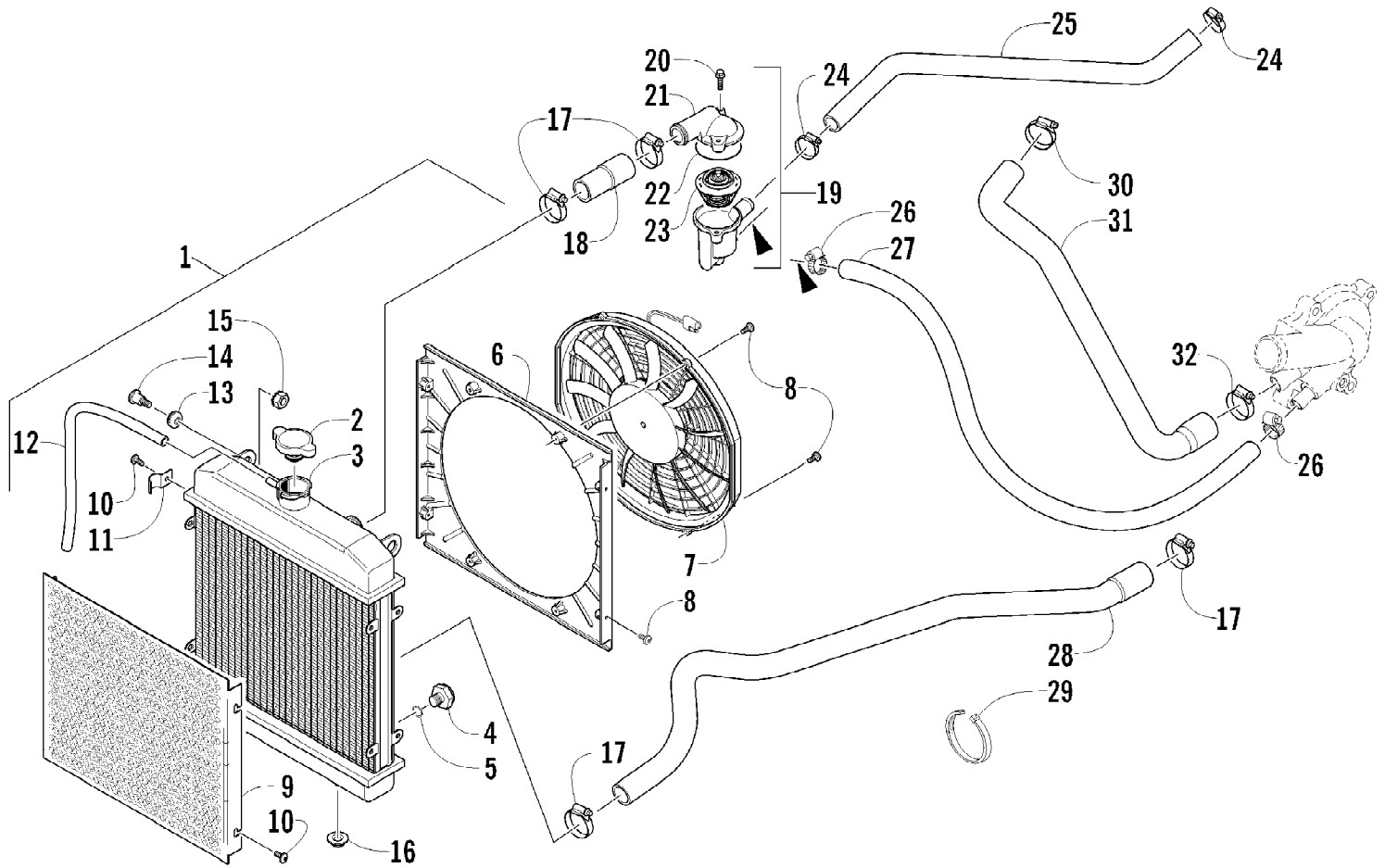
2011 TRV 450 EFI INTERNATIONAL RED (A2011TBK4COSR)
CLUTCH/DRIVE BELT/MAGNETO COVER ASSEMBLY



2011 TRV 450 EFI INTERNATIONAL RED (A2011TBK4COSR)
CLUTCH/DRIVE BELT/MAGNETO COVER ASSEMBLY

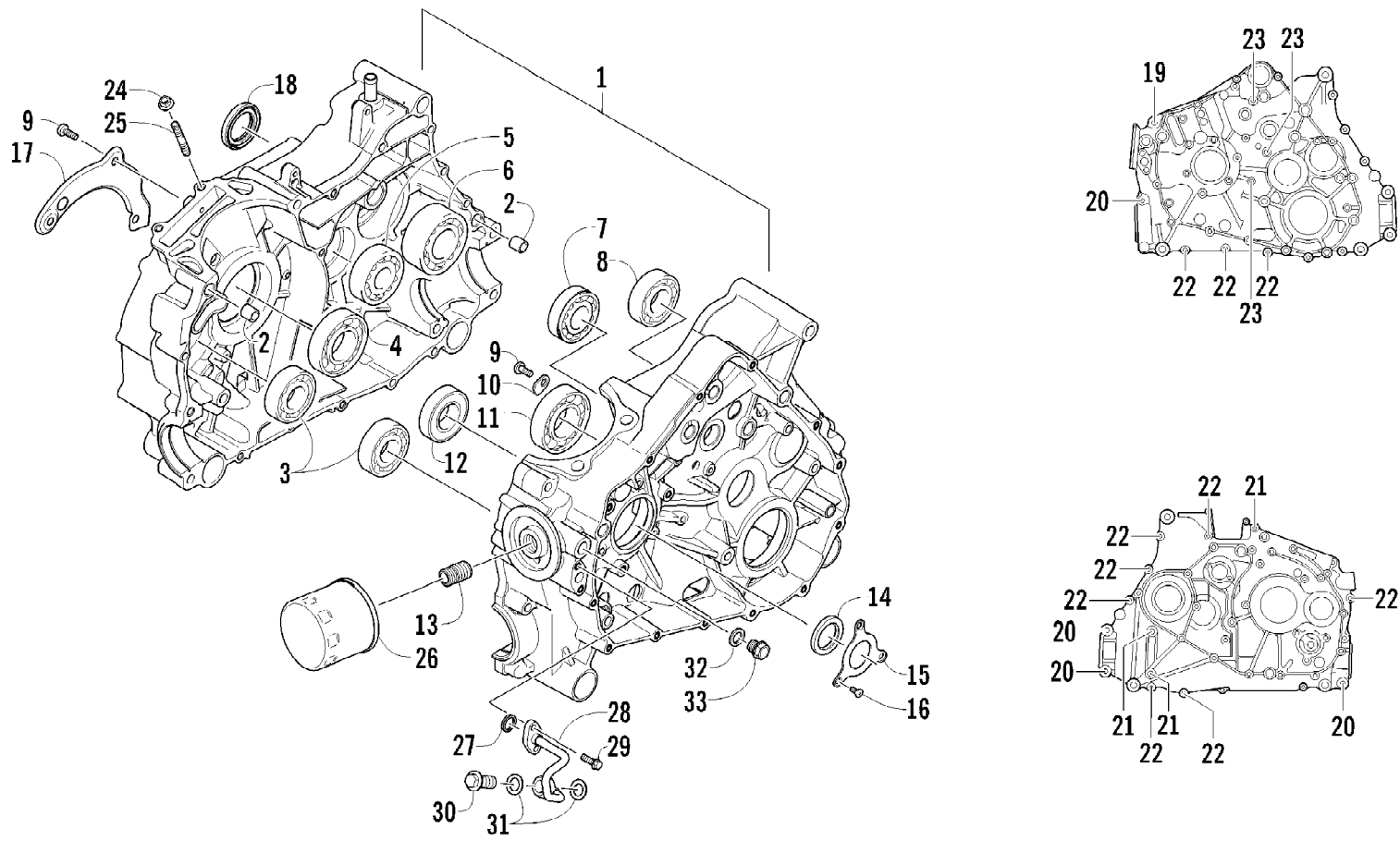
Page 12 of 81

Ref #	Part Number	Qty	S/P/F	Description
1	0806-026	1		Cover, Clutch
2	0830-055	1		Gasket
3	0830-157	1		Seal
4	0832-071	1		Bearing
5	0822-104	2		Retainer, Bearing
6	0826-144	5		Screw, Machine
7	0806-103	1		Plate, Air Intake
8	3303-386	18	/P	Screw, Cap
9	0806-027	1		Cover, Drive Belt
10	0830-056	1		Gasket
11	0829-046	6		Pin, Dowel
12	0832-023	1		Bearing
13	3303-347	1		Circlip
14	3303-365	2		Plug, Drain
15	3303-591	3		Gasket, Drain Plug
16	3304-903	22		Screw, Cap
17	0826-066	1		Screw, Cap
18	3304-191	2	/P	Screw, Cap
19	0826-068	1		Screw, Cap
20	0806-122	1		Cover, Magneto
21	0830-057	1		Gasket
22	0806-099	1		Plug
23	0830-141	1		Washer, Crush
24	0806-029	1		Stick, Oil Level (inc. 25)
25	3304-102	1	/P	O-Ring, Oil Level Stick
26	0832-053	1		Bearing
27	3305-943	1		Ring, Retaining
28	3305-944	1		Bearing
29	3305-942	1		Ring, Retaining
30	0830-206	1		Gasket
31	3301-716	2		Pin, Dowel
32	0812-087	1		Cap, Inspection (inc. 33)
33	0835-016	1		O-Ring
34	0826-136	1		Screw, Cap
35	3303-383	5	/P	Screw, Cap



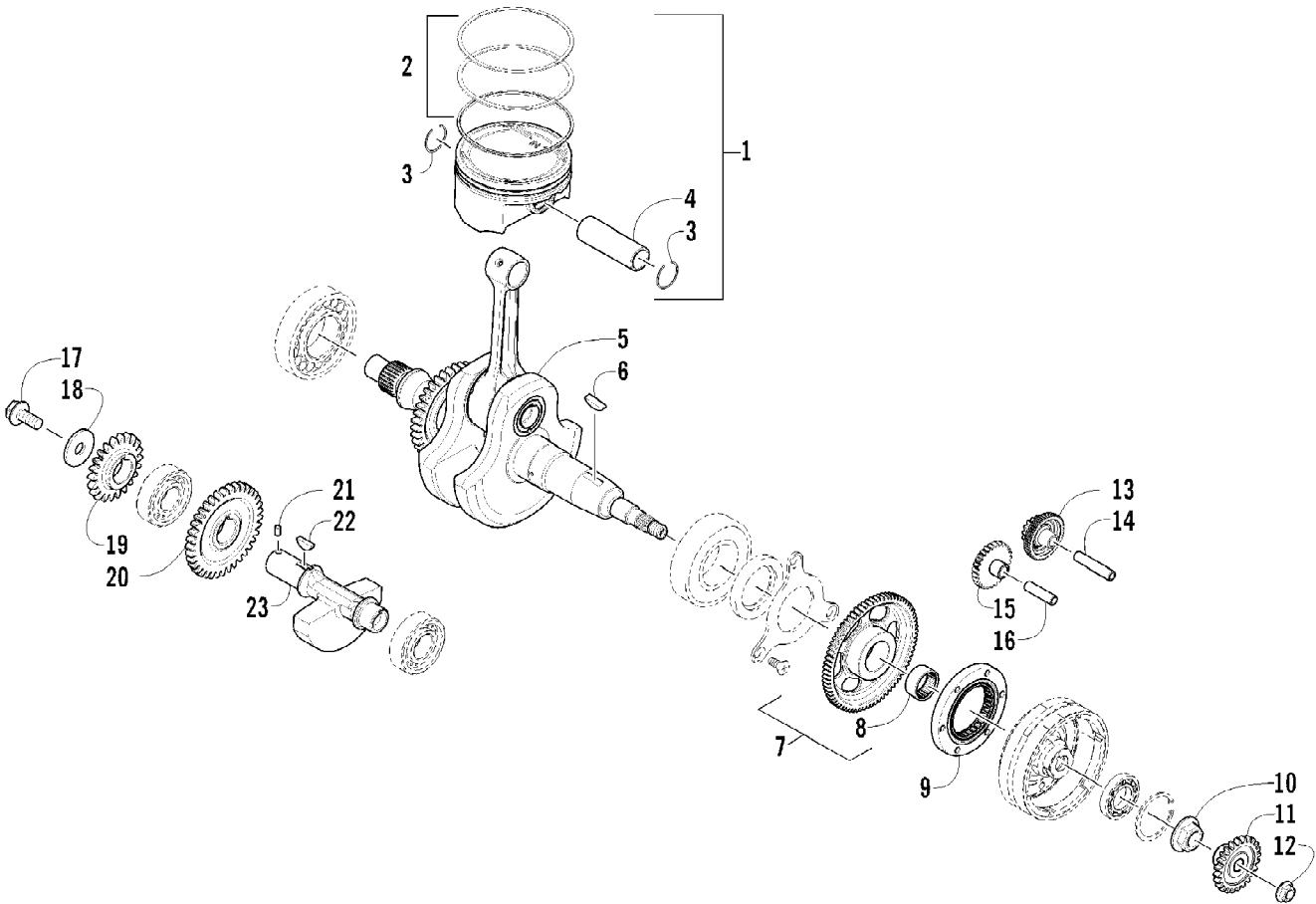
Ref #	Part Number	Qty	S/P/F	Description
1	0413-256	1	/P	Radiator Assembly (inc. 2-13)
2	0413-255	1	/P	Cap
3	0413-205	1		Radiator
4	0413-195	1		Plug, Drain
5	1602-213	1	/P	O-Ring
6	0413-203	1		Shroud, Fan
7	0413-123	1	/P	Fan, Cooling
8	0623-378	8		Screw, Self-Tapping
9	0413-007	1		Screen
10	8475-512	4		Screw, Machine
11	0423-351	1		Clamp, Wire
12	0610-016	AR	/P	Hose - 25 ft
12	0610-015	AR	/P	Hose - 100 ft
13	0423-030	2		Grommet
14	0423-484	2		Screw, Shoulder
15	0623-038	2		Nut w/Washer
16	0423-028	2		Bushing, Stem
17	0423-496	4		Clamp, Hose
18	0410-205	1		Hose, Coolant - Radiator/Thermostat
19	0808-192	1		Housing, Thermostat - Assembly (inc. 20-23)
20	3303-384	2	/P	Screw, Cap
21	0808-202	1		Cover, Housing - Thermostat
22	0830-205	1		O-Ring
23	0813-050	1		Thermostat
24	0423-490	2		Clamp, Hose
25	0410-203	1		Hose, Coolant - Thermostat/Cylinder
26	0423-632	2		Clamp, Hose
27	0410-202	1		Hose, Coolant - Thermostat/Water Pump
28	0410-204	1		Hose, Coolant - Radiator/Water Pump
29	0123-788	AR	/P	Tie, Cable - 8 in.
29	0123-903	AR		Tie, Cable - 11.5 in.
30	1423-008	1		Clamp, Hose
31	0410-216	1		Hose, Coolant - Water Pump/Cylinder
32	3305-941	1		Clamp, Hose

2011 TRV 450 EFI INTERNATIONAL RED (A2011TBK4COSR)
CRANKCASE ASSEMBLY



Ref #	Part Number	Qty	S/P/F	Description
1	0801-191	1		Crankcase - Assembly (inc. 2-21)
2	0829-050	2		Pin, Dowel
3	3313-745	2		Bearing
4	0832-087	1		Bearing
5	3304-198	1		Bearing
6	0832-074	1		Bearing
7	3304-195	1		Bearing
8	3304-699	1	/P	Bearing
9	0826-144	5		Screw, Machine
10	0822-104	2		Retainer, Bearing
11	0832-019	1		Bearing
12	0832-020	1		Bearing
13	0812-066	1		Union, Oil Filter
14	0830-058	1		Seal
15	0805-018	1		Retainer
16	0826-145	3		Screw, Machine
17	0801-018	1		Plate, Oil Guide - Right
18	0830-066	1		Seal
19	3303-372	1		Screw, Cap
20	0826-126	4		Screw, Cap
21	0826-064	3		Screw, Cap
22	3303-387	10		Screw, Cap
23	0826-065	3		Screw, Cap
24	3303-331	2	/P	Nut
25	3313-721	2		Bolt, Stud
26	0812-029	1	S	Filter, Oil
27	0830-172	1		O-Ring
28	0812-086	1		Oilline
29	3303-617	2	/P	Screw, Cap
30	0812-084	1		Bolt, Banjo-Fitting
31	0812-085	2		Washer
32	0830-143	1	/P	Gasket
33	0835-004	1		Plug, Oil Pressure

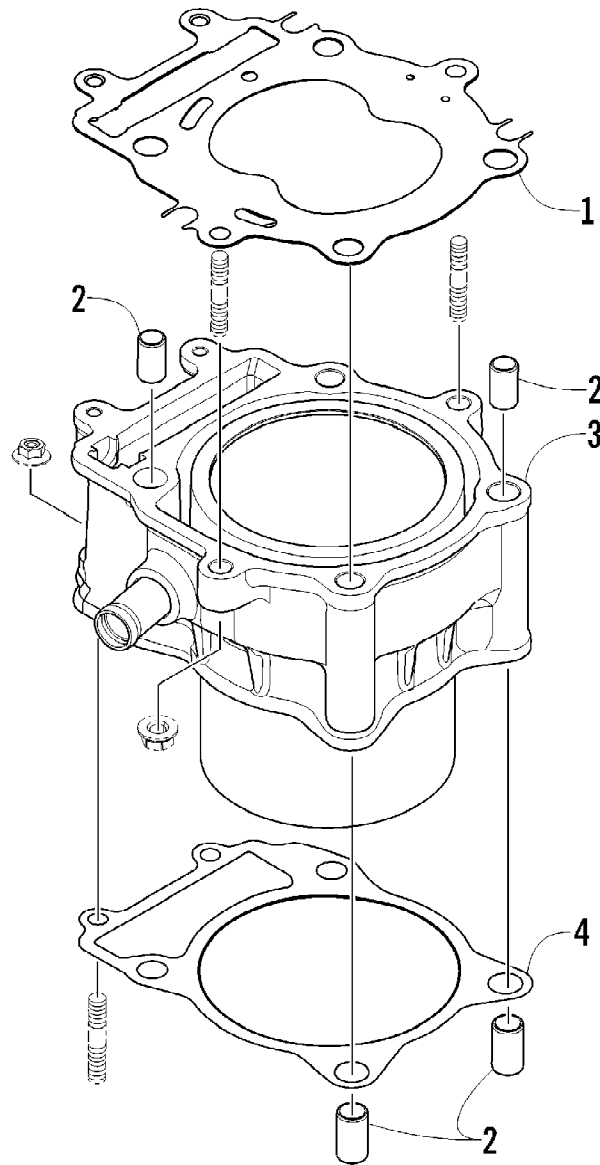
2011 TRV 450 EFI INTERNATIONAL RED (A2011TBK4COSR)
CRANKSHAFT, BALANCER, STARTER GEAR, AND PISTON ASSEMBLIES



2011 TRV 450 EFI INTERNATIONAL RED (A2011TBK4COSR)
 CRANKSHAFT, BALANCER, STARTER GEAR, AND PISTON ASSEMBLIES

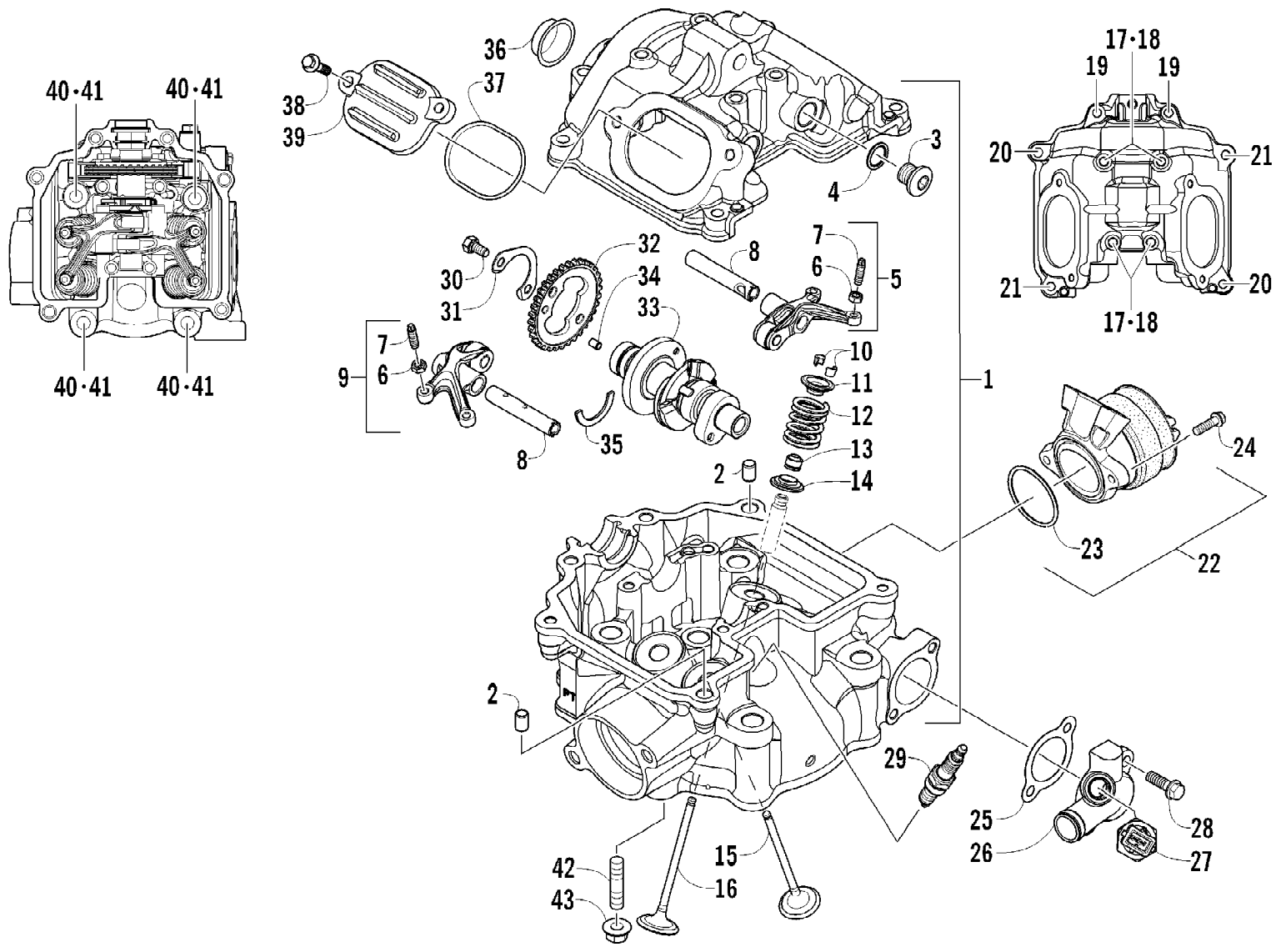
Page 18 of 81

Ref #	Part Number	Qty	S/P/F	Description
1	0805-333	1	/P	Piston Set (inc. 2-4)
2	0805-320	1		Ring, Piston - Set
3	0831-060	2		Circlip
4	0805-023	1		Pin, Piston
5	0805-013	1		Crankshaft Assembly
6	0829-039	1		Key
7	0815-023	1		Gear, Starter Clutch (inc. 8)
8	0832-069	1		Bearing
9	0802-044	1	/P	Clutch, One-Way
10	0827-046	1		Nut
11	0811-036	1		Gear, Drive
12	3303-333	1	/P	Nut
13	0815-025	1		Gear, Starter Idler - No. 1
14	0815-007	1		Pin, Starter Idler Gear No. 1
15	0815-022	1		Gear, Starter Idler - No. 2
16	0815-015	1		Pin, Starter Idler Gear No. 2
17	0826-118	1		Screw, Cap
18	0828-091	1		Washer
19	0811-009	1		Gear, Oil Pump Drive
20	0811-006	1		Gear, Driven
21	3304-144	1		Pin, Alignment
22	0829-037	1		Key
23	0811-035	1		Balancer, Crank



Ref #	Part Number	Qty	S/P/F	Description
1	0830-203	1		Gasket, Cylinder Head
2	0829-046	4		Pin, Dowel
3	0804-056	1		Cylinder
4	0830-204	1		Gasket, Cylinder

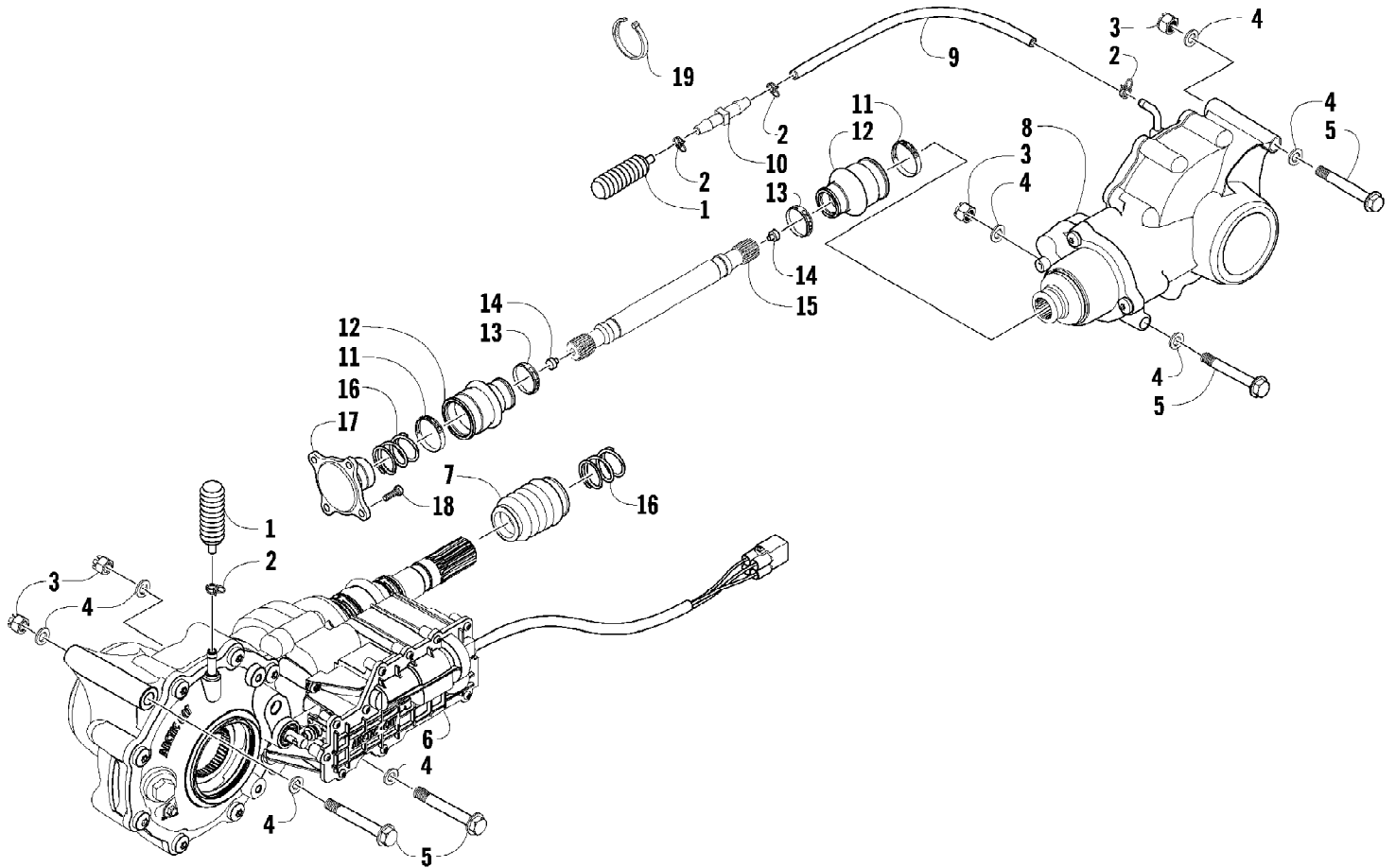
2011 TRV 450 EFI INTERNATIONAL RED (A2011TBK4COSR)
CYLINDER HEAD AND CAMSHAFT/VALVE ASSEMBLY



2011 TRV 450 EFI INTERNATIONAL RED (A2011TBK4COSR)
CYLINDER HEAD AND CAMSHAFT/VALVE ASSEMBLY

Page 22 of 81

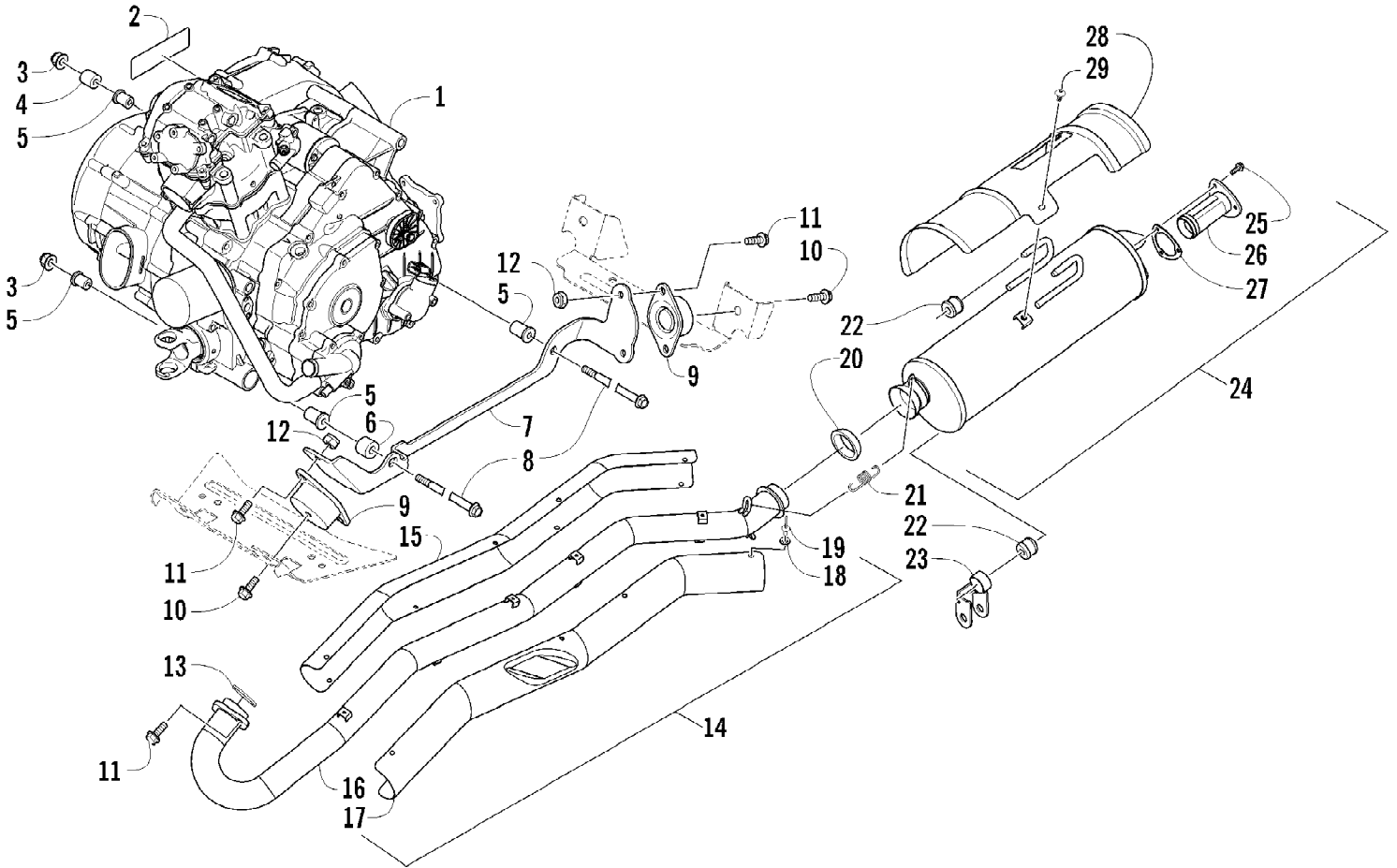
Ref #	Part Number	Qty	S/P/F	Description
1	0808-205	1		Head, Cylinder (inc. 2-17)
2	3303-341	2		Pin, Dowel
3	0831-053	2		Plug, Shaft
4	0830-143	2	/P	Gasket
5	0809-254	1		Arm, Valve Rocker - Intake (inc. 6-7)
6	3304-026	4	/P	Nut
7	3304-007	4	/P	Screw, Adjuster
8	0809-256	2		Shaft, Rocker Arm
9	0809-252	1		Arm, Valve Rocker - Exhaust (inc. 6-7)
10	3303-044	8		Cotter, Valve
11	0809-142	4		Retainer, Spring
12	0809-257	4		Spring, Valve
13	0809-190	4		Seal, Oil
14	0809-141	4		Seat, Spring
15	0809-266	2		Valve, Exhaust
16	0809-263	2		Valve, Intake
17	3304-904	4		Screw, Cap
18	0830-155	4	/P	Gasket
19	3304-918	2		Screw, Cap
20	0826-136	2		Screw, Cap
21	3303-384	2	/P	Screw, Cap
22	0570-304	1		Manifold, Intake (inc. 23)
23	0830-202	1		O-Ring
24	3303-383	2	/P	Screw, Cap
25	0830-200	1		Gasket
26	0806-121	1		Fitting, Coolant - Assembly
27	0808-196	1		Sensor, Engine Coolant Temperature
28	3303-617	2	/P	Screw, Cap
29	0217-708	1	F	Spark Plug
30	0826-154	2		Screw, Cap
31	0828-086	1		Plate, Retainer
32	0809-259	1		Sprocket
33	0809-260	1		Camshaft (inc. 34)
34	0829-036	1		Pin, Alignment
35	0809-165	1		C-Ring
36	0808-112	1		Plug, Head
37	0830-139	2		O-Ring
38	3303-383	4	/P	Screw, Cap
39	0808-111	2		Cap, Inspection
40	0826-062	4		Screw, Cap
41	0828-044	4		Washer
42	0827-064	2		Bolt, Stud
43	3303-332	2		Nut



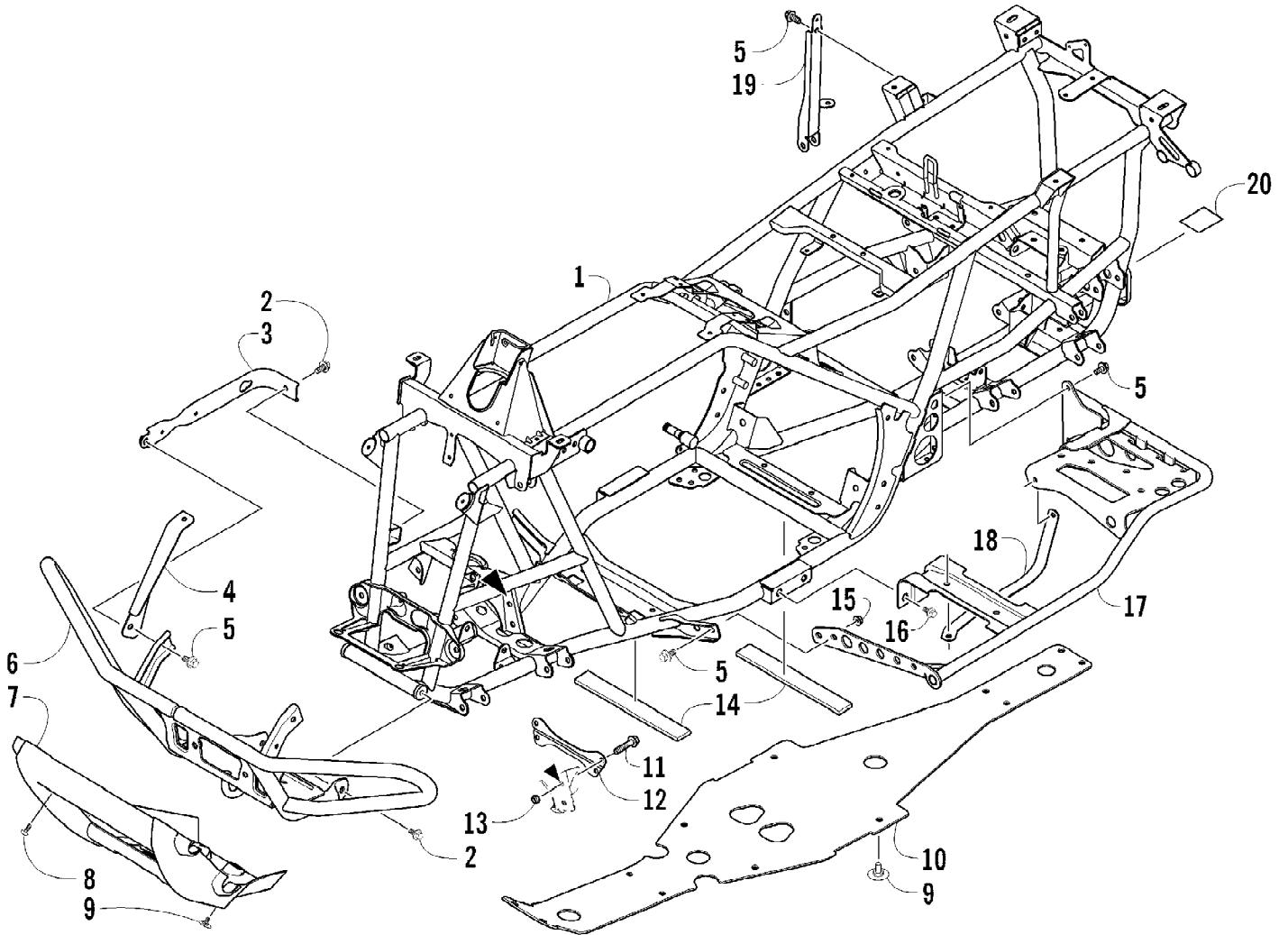
2011 TRV 450 EFI INTERNATIONAL RED (A2011TBK4COSR)
DRIVE TRAIN ASSEMBLY

Page 24 of 81

Ref #	Part Number	Qty	S/P/F	Description
1	1402-620	2	/P	Bladder, Gearcase
2	0423-315	4		Clamp, Hose
3	8428-002	4		Nut, Lock
4	0423-426	8		Washer
5	0423-404	4		Screw, Cap
6	1502-527	1		Gearcase, Front
7	0402-966	1		Boot, Shaft
8	1502-401	1		Gearcase, Rear
9	0410-070	AR	/P	Hose, Vent
10	0470-702	1	/P	Fitting, Vent
11	0423-393	2		Clamp
12	0402-985	2	/P	Boot
13	0423-411	2		Clamp
14	0673-618	2	/P	Bumper, Propeller Shaft
15	1402-092	1		Shaft, Propeller
16	1402-026	2		Spring
17	0402-950	1		Flange, Output
18	8408-820	4	/P	Screw, Cap
19	0123-788	AR	/P	Tie, Cable - 8 in.

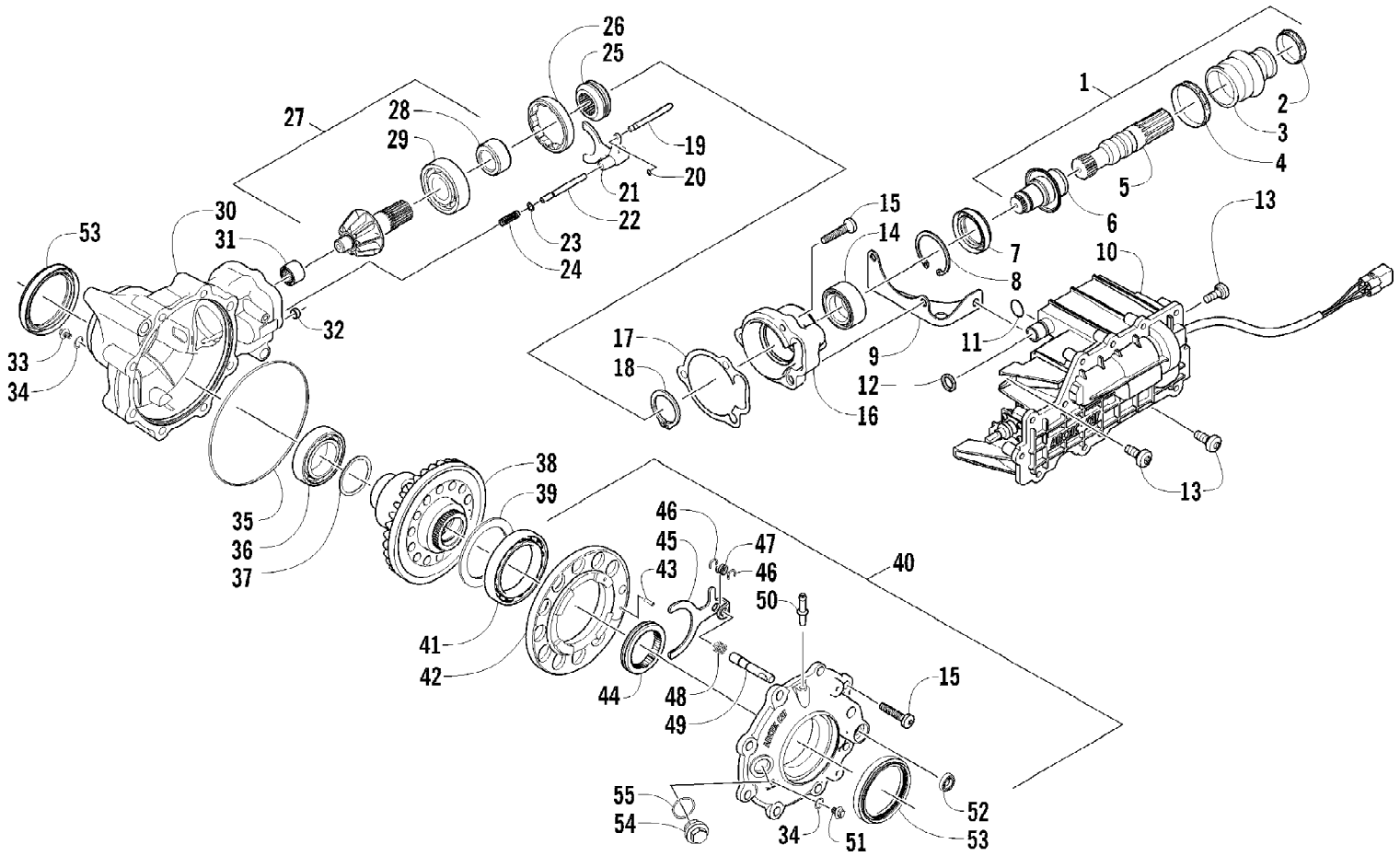


Ref #	Part Number	Qty	S/P/F	Description
1	3313-835	1		Engine
2	0411-426	1		Decal, Warning - Clutch Cover
3	8428-002	2		Nut, Lock
4	0408-020	1		Spacer
5	0801-180	4	/P	Mount, Rubber - Engine
6	1423-025	1	/P	Spacer
7	1506-740	1		Bracket, Engine - Right
7	1506-741	1		Bracket, Engine - Left
8	0423-405	2		Screw, Cap
9	2406-065	4		Mount, Engine
10	8408-012	4		Screw, Cap
11	8408-820	10	/P	Screw, Cap
12	8432-802	8		Nut, Lock
13	3313-743	1		Gasket, Exhaust
14	0512-549	1		Pipe, Exhaust - Assembly (inc. 15-19)
15	0512-553	1		Shield, Exhaust Pipe - Inner
16	0512-550	1		Pipe, Exhaust
17	0512-548	1		Shield, Exhaust Pipe - Outer
18	8050-217	8	/P	Washer
19	8061-486	8	/P	Rivet
20	0412-375	1	/P	Seal, Exhaust
21	0612-668	2	/P	Spring, Extension
22	0412-577	3	/P	Bushing
23	1506-732	1		Channel, Muffler Support
24	0512-355	1	/P	Muffler - Assembly (inc. 25-27)
25	8408-616	3		Screw, Cap
26	0512-219	1	/P	Arrester, Spark - Assembly
27	0412-313	1		Gasket, Spark Arrester
28	0412-373	1	/P	Cover, Muffler
29	8477-610	3		Screw, Machine



Ref #	Part Number	Qty	S/P/F	Description
1	2506-881	1		Frame, Main
2	8409-020	4	/P	Screw, Cap
3	1506-596	2	/P	Channel, Bumper Mounting
4	1506-562	1		Bracket, Mounting - Bumper - Right
4	1506-563	1		Bracket, Mounting - Bumper - Left
5	8408-816	11		Screw, Cap
6	1506-855	1	/P	Bumper
7	1406-360	1		Fascia, Bumper - Front
8	0423-419	2		Screw, Machine
9	0423-101	12		Screw, Shoulder
10	2406-091	1		Panel, Belly
11	8409-025	2		Screw, Cap
12	2516-852	1	/P	Brace, A-Arm
13	0423-744	2		Nut, Lock
14	0406-289	2		Pad, Frame
15	8424-802	4		Nut
16	8409-016	4		Screw, Cap
17	1506-848	1		Footrest - Right
17	1506-849	1		Footrest - Left
18	2406-216	1		Strap, Footrest - Right
18	2406-217	1		Strap, Footrest - Left
19	2506-447	1		Bracket, Support
20	1411-077	1		Decal, Warning - Towing

2011 TRV 450 EFI INTERNATIONAL RED (A2011TBK4COSR)
FRONT DRIVE GEARCASE ASSEMBLY



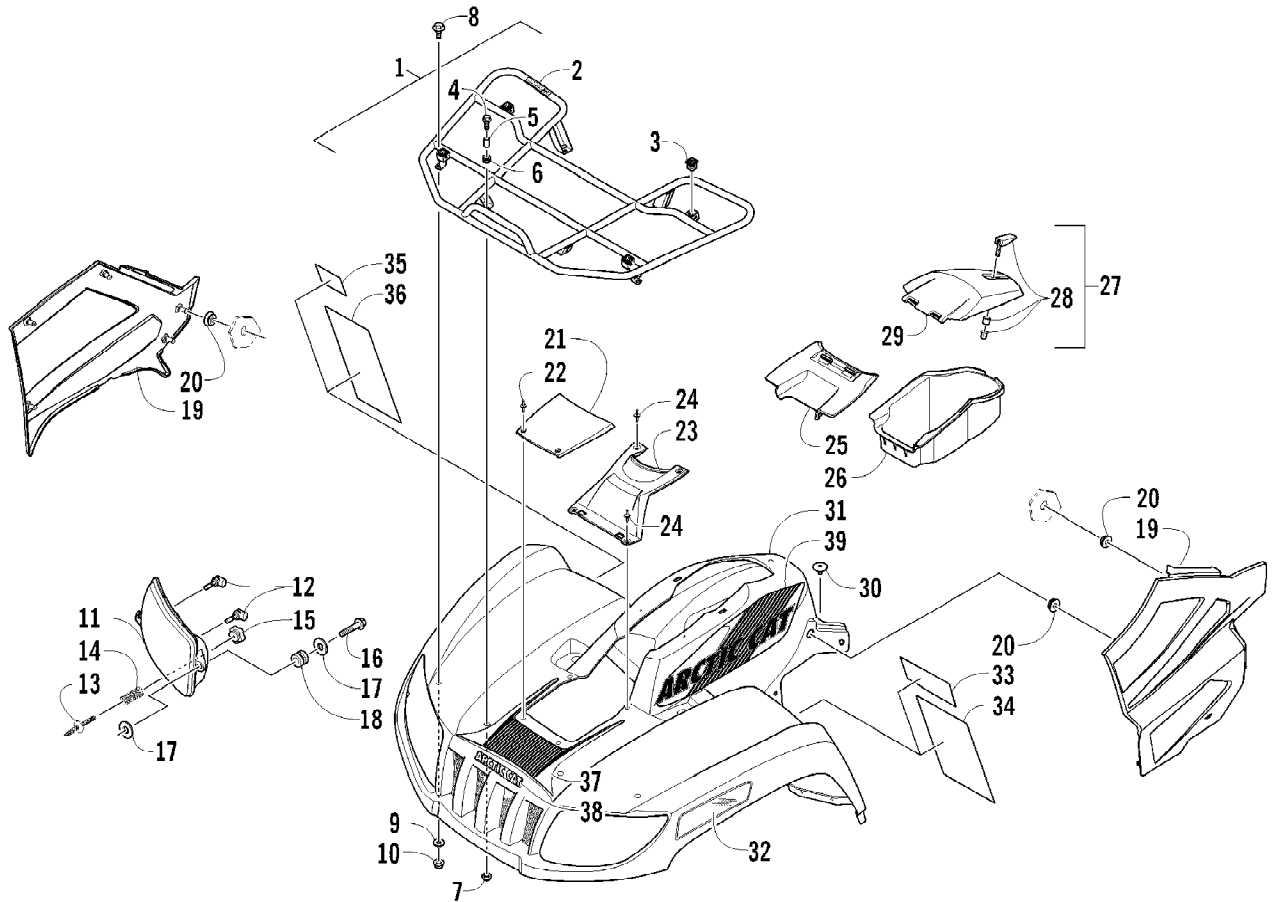
Ref #	Part Number	Qty	S/P/F	Description
	1502-527	1		Complete Front Drive Gearcase Assembly
1	1502-084	1		Shaft, Propeller - Assembly (inc. 2-6)
2	0423-411	1		Clamp
3	0402-985	1	/P	Boot, Propeller Shaft
4	0423-393	1		Clamp
5	1402-046	1		Shaft, Output
6	1502-085	1	/P	Shaft, Input
7	1402-011	1		Seal
8	0423-423	1		Ring, Retaining
9	1502-237	1		Bracket, Actuator
10	0502-585	1	S	Actuator (inc. 11)
11	1402-981	1		O-Ring
12	0423-892	1	/P	O-Ring
13	0423-396	3		Screw, Self-Tapping
14	1402-043	1		Bearing
15	0423-118	11		Screw, Self-Tapping
16	0502-528	1	/P	Housing, Pinion
17	0402-947	1		Gasket, Flange
18	0423-417	1		Ring, Retaining
19	0402-997	1		Shaft, Selector
20	0423-402	1		Ring, Retaining
21	0402-998	1		Fork, Selector
22	0402-417	1		Shaft, Shuttle
23	0423-147	1		O-Ring
24	0402-999	1		Spring, Return
25	0402-413	1		Coupler, Drive
26	0402-357	1		Collar, Lock
27	0502-784	1		Gear, Pinion - Assembly - 11T (inc. 28-29)
28	0402-336	1		Collar, Retaining
29	0402-327	1		Bearing
30	0502-514	1		Housing, Gearcase
31	0402-328	1		Bearing
32	0402-411	1		Pin, Dowel
33	1402-210	1	/P	Plug, Magnetic (inc. one No. 34)
34	0423-153	2		O-Ring
35	0423-149	1		O-Ring
36	0402-393	1		Bearing
37	0402-405	AR		Shim, 41 x 49 x 1.3 mm
37	0402-406	AR		Shim, 41 x 49 x 1.4 mm
37	0402-407	AR		Shim, 41 x 49 x 1.5 mm
37	0402-408	AR		Shim, 41 x 49 x 1.6 mm
37	0402-409	AR		Shim, 41 x 49 x 1.7 mm
38	1502-554	1	/P	Gear, Ring - 34T
39	1402-074	AR		Shim, 61 x 69 x 1.3 mm
39	1402-075	AR		Shim, 61 x 69 x 1.4 mm
39	1402-076	AR		Shim, 61 x 69 x 1.5 mm
39	1402-077	AR		Shim, 61 x 69 x 1.6 mm
39	1402-078	AR		Shim, 61 x 69 x 1.7 mm
40	1502-389	1		Cover, Gearcase (inc. one No. 34, 41-52, and one No. 53)
41	1402-053	1		Bearing
42	0502-413	1		Flange, Bearing

2011 TRV 450 EFI INTERNATIONAL RED (A2011TBK4COSR)
FRONT DRIVE GEARCASE ASSEMBLY

Page 31 of 81

Ref #	Part Number	Qty	S/P/F	Description
43	1402-079	1		Pin, Parallel
44	1402-042	1		Collar, Sliding
45	1402-054	1		Fork
46	1402-058	2		Ring, Retaining
47	1402-057	1		Spring
48	1402-063	1		Spring
49	1402-656	1		Shaft, Lock
50	1402-104	1		Fitting
51	1402-211	1		Plug, Oil Level (inc. one No. 34)
52	1402-056	1		Seal
53	1402-713	2	S	Seal
54	0402-333	1	/P	Plug, Fill (inc. 55)
55	0423-154	1		O-Ring

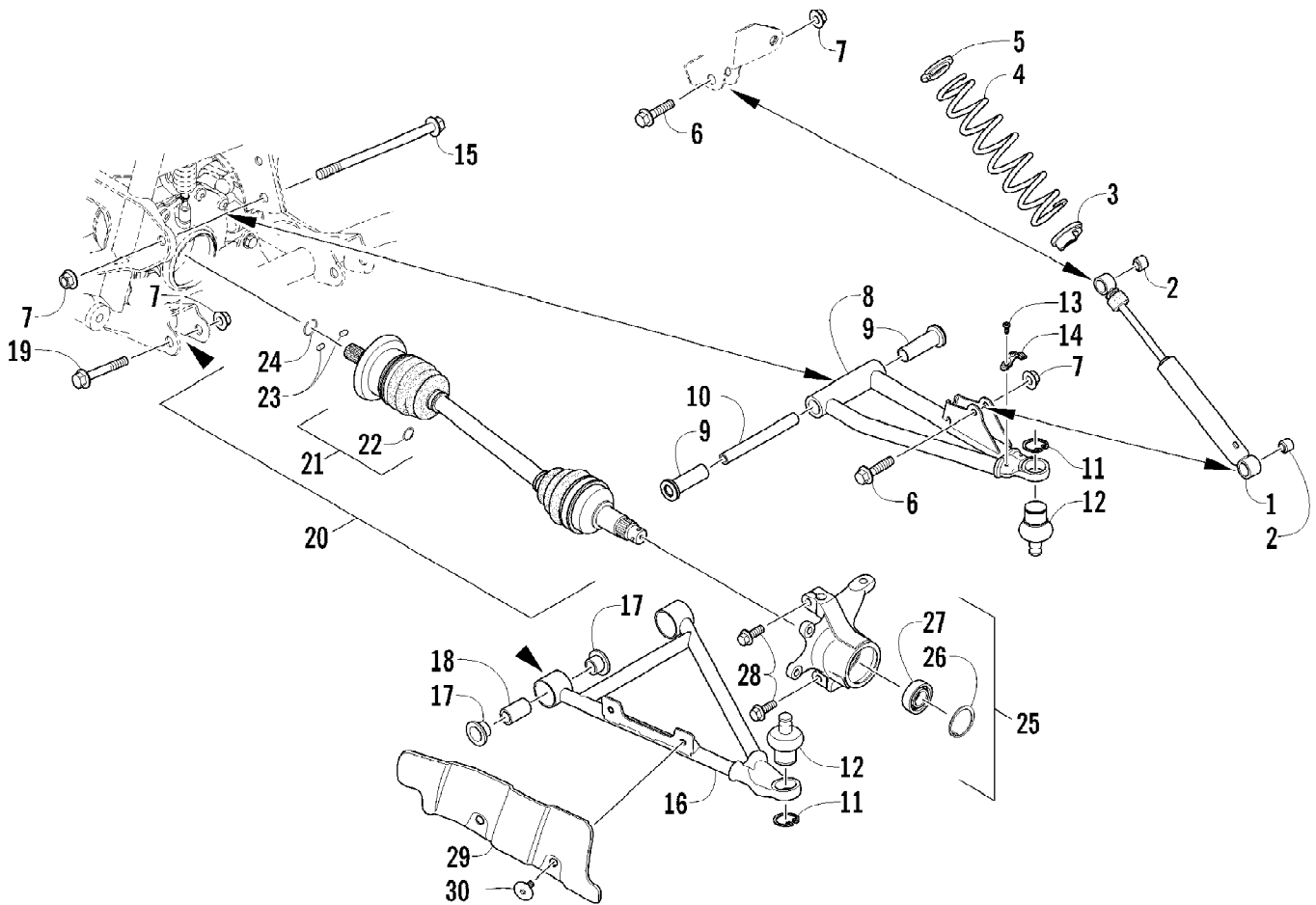
2011 TRV 450 EFI INTERNATIONAL RED (A2011TBK4COSR)
FRONT RACK, BODY PANEL, AND HEADLIGHT ASSEMBLIES



2011 TRV 450 EFI INTERNATIONAL RED (A2011TBK4COSR)
FRONT RACK, BODY PANEL, AND HEADLIGHT ASSEMBLIES

Ref #	Part Number	Qty	S/P/F	Description
1	2506-106	1		Rack, Front - Assembly (inc. 2-3)
2	0411-576	1		Decal, Warning - Load
3	0441-592	4	/P	Bushing
4	8410-830	4		Screw, Cap
5	0423-669	4		Spacer
6	0423-465	4		Grommet
7	8432-802	4		Nut, Lock
8	0423-654	2		Screw, Shoulder
9	8050-222	2	/P	Washer
10	0423-540	2		Nut, Lock
11	0509-044	1	/P	Headlight Assembly - Right (inc. 12)
11	0509-035	1		Headlight Assembly - Left (inc. 12)
12	0409-055	4		Bulb, Headlight
13	0423-514	2		Stud, Adjuster - Headlight
14	0423-522	2		Spring, Adjuster
15	0423-513	2		Knob, Adjuster
16	0623-785	4		Screw, Self-Tapping
17	8050-217	8	/P	Washer
18	0423-447	4		Grommet
19	2416-624	1		Panel, Side - Lower - Right
19	2416-625	1		Panel, Side - Lower - Left
20	0423-678	8		Grommet
21	1406-358	1		Cover, Access
22	0423-535	2		Rivet, Reinstallable
23	1406-484	1		Cover, Steering Post
24	0623-362	4		Rivet, Reinstallable
25	0470-513	1		Cover, Storage Box
26	1406-573	1		Box, Storage
27	2506-234	1		Lid, Storage Box w/Latch (inc. 28-29)
28	1406-599	1		Latch, Storage Box
29	0470-514	1		Lid, Storage Box
30	0423-101	2		Screw, Shoulder
31	4506-244	1	/P	Panel, Fender - Assembly - Front (inc. 32-36)
32	0411-818	1		Decal, Reflector - Right
32	0411-819	1		Decal, Reflector - Left
33	1411-574	1		Decal, Warning - Off-Road Only
34	2411-259	1	/P	Decal, Warning - General/Age
35	0411-894	1		Decal, Warning - Turn/Hill
36	1411-250	1		Decal, Warning - Reverse/Pre-Ride
37	2411-396	1		Decal, Crest
38	2411-260	1		Decal, "Arctic Cat"
39	2411-284	1		Decal, Side - Upper Right
39	2411-285	1		Decal, Side - Upper Left

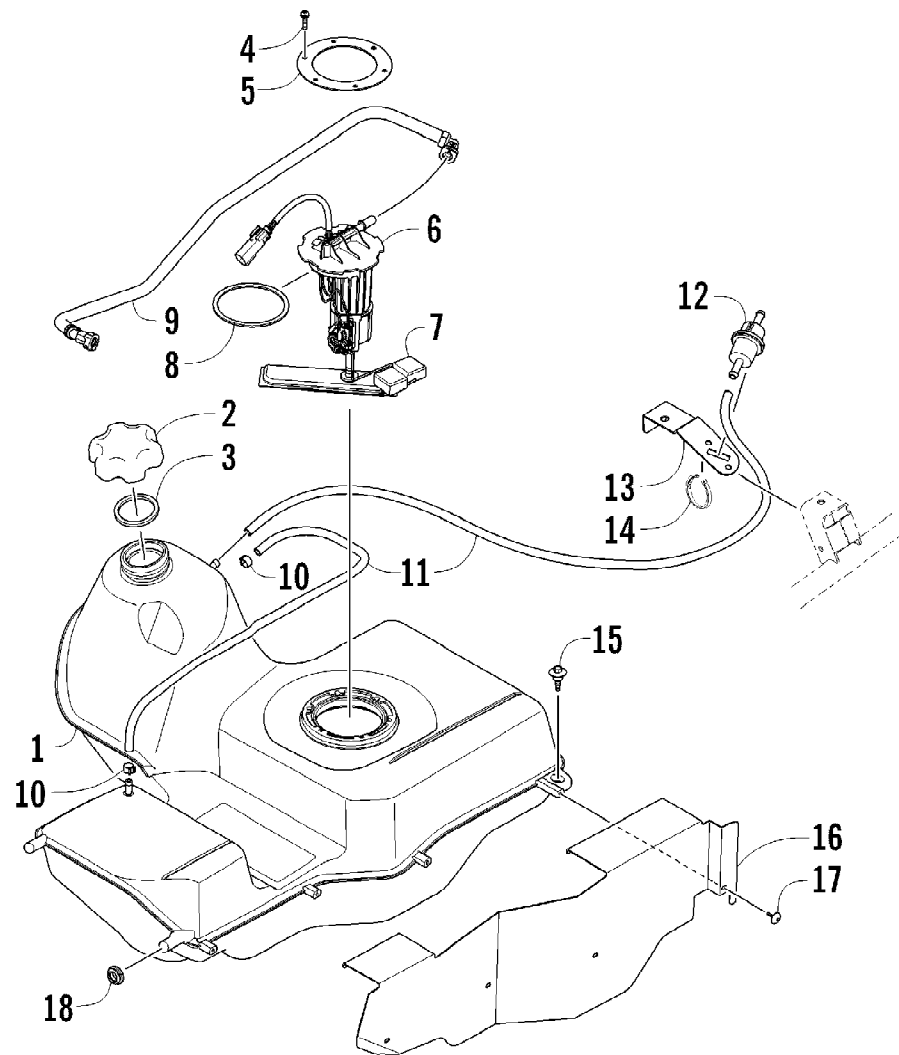
2011 TRV 450 EFI INTERNATIONAL RED (A2011TBK4COSR)
FRONT SUSPENSION ASSEMBLY



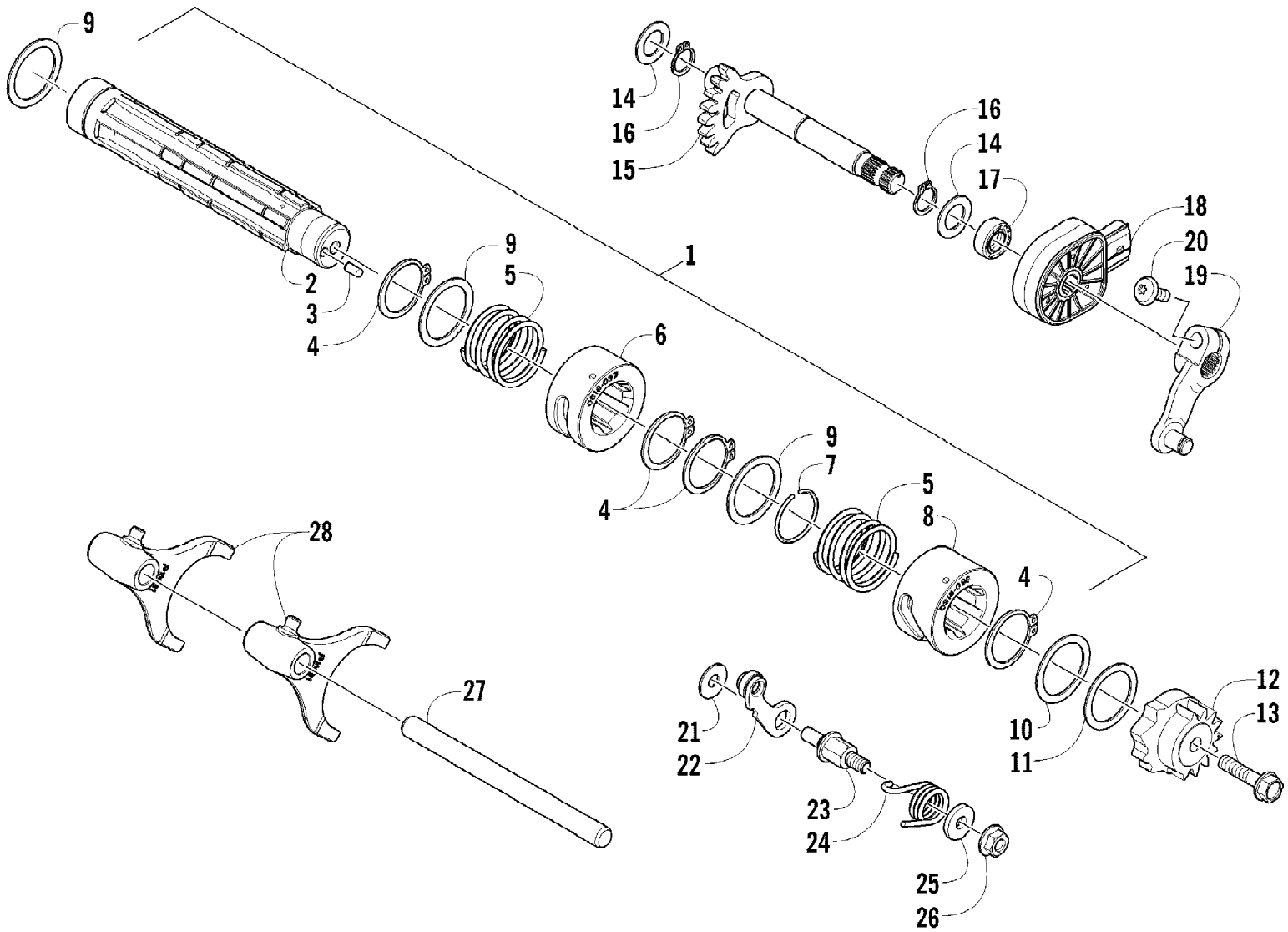
2011 TRV 450 EFI INTERNATIONAL RED (A2011TBK4COSR)
FRONT SUSPENSION ASSEMBLY

Page 35 of 81

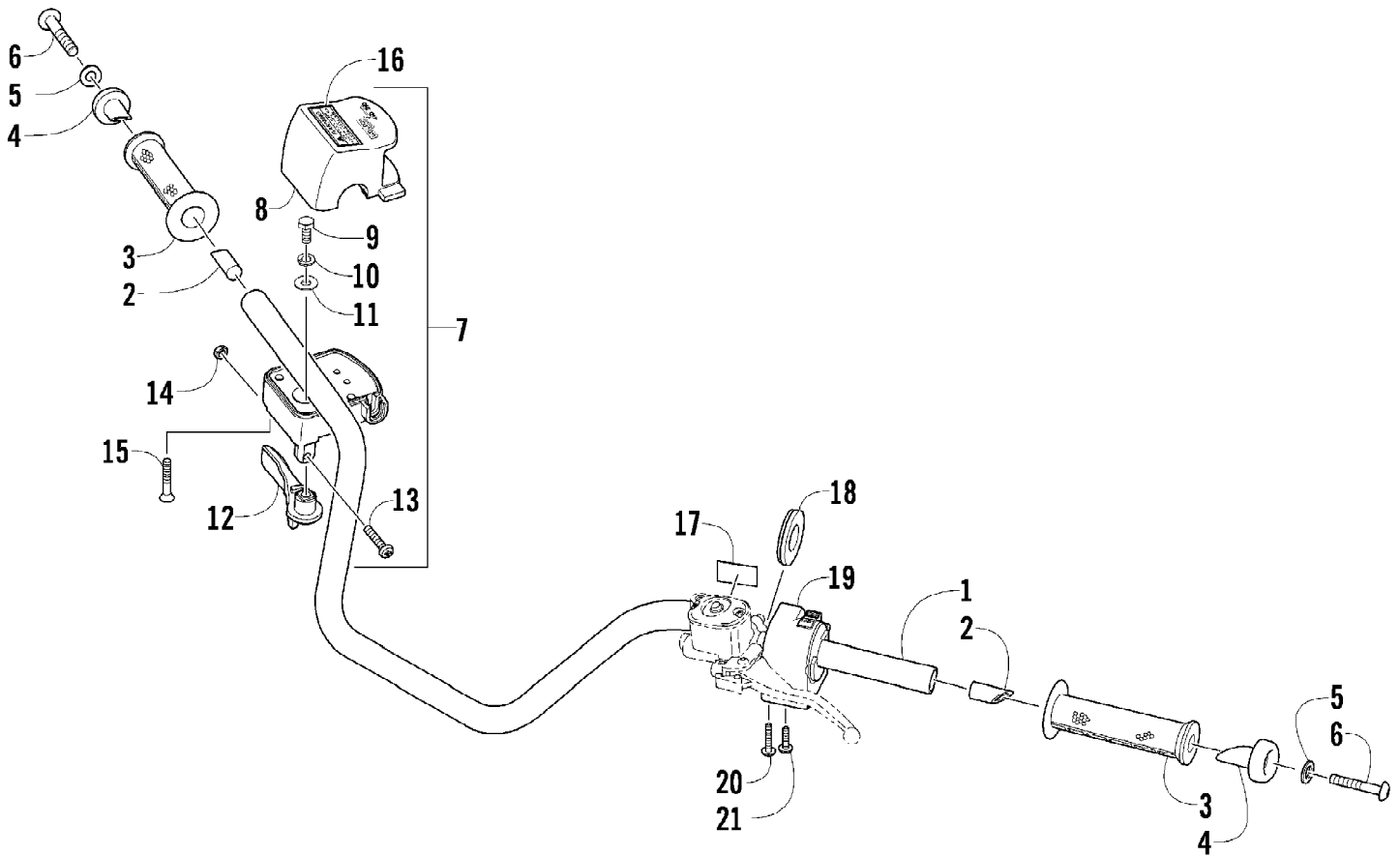
Ref #	Part Number	Qty	S/P/F	Description
1	0403-209	2		Shock Absorber (inc. 2)
2	0403-182	4		Bushing
3	0403-102	2		Cam, Spring Adjuster
4	0503-468	2		Spring, Suspension
5	1603-889	2	/P	Retainer, Spring
6	8409-040	4		Screw, Cap
7	0423-744	10		Nut, Lock
8	0503-416	1	/P	A-Arm, Upper Right (inc. 9-12)
8	0503-417	1	/P	A-Arm, Upper Left (inc. 9-12)
9	0403-207	4	/P	Bushing
10	0403-080	2		Axle
11	0423-009	4	/P	Ring, Retaining
12	0405-115	4	/P	Ball Joint
13	0423-946	4		Screw, Self-Tapping
14	1502-594	2		Clamp, Routing
15	0423-334	2		Screw, Cap
16	0503-376	1	/P	A-Arm, Lower Right (inc. 17-18 and two No. 11-12)
16	0503-377	1	/P	A-Arm, Lower Left (inc. 17-18 and two No. 11-12)
17	0403-208	8	/P	Bushing
18	0403-214	4	/P	Axle
19	8409-075	4		Screw, Cap
20	1502-800	1	S/P	Axle, Drive - Right (inc. 21-24)
20	1502-799	1	S/P	Axle, Drive - Locking - Left (inc. 21-24)
21	1436-419	2		Repair Kit, Boot (inc. 22)
22	1441-988	2		Clip, Retaining
23	1402-885	4		Pin, Detent
24	1402-889	2		Clip, Retaining
25	0505-576	1	/P	Knuckle - Assembly - Right (inc. 26-27)
25	0505-577	1	/P	Knuckle - Assembly - Left (inc. 26-27)
26	0423-423	2		Ring, Retaining
27	1402-809	2	/P	Bearing
28	8409-030	4		Screw, Cap
29	1406-034	1		Guard, Boot - Right
29	1406-035	1		Guard, Boot - Left
30	0423-545	4	/P	Screw, Shoulder



Ref #	Part Number	Qty	S/P/F	Description
1	0570-308	1		Tank, Gas - Assembly (inc. 2-5)
2	0470-438	1	/P	Cap, Gas Tank (inc. 3)
3	0109-733	1	/P	Gasket, Gas Tank Cap
4	0423-898	6		Screw, Self-Tapping
5	2670-042	1		Plate, Retaining
6	0570-323	1	/P	Pump, Fuel - Assembly (inc. 7-8)
7	2670-235	1		Float
8	0470-838	1		Seal
9	0570-335	1		Hose, Fuel - Assembly
10	0423-688	2		Clamp, Hose
11	0410-070	AR	/P	Hose, Gasline - 25 ft
12	0510-335	1	/P	Filter, In-Line
13	0470-794	1		Bracket, Mounting - Filter
14	0123-788	AR	/P	Tie, Cable - 8 in.
15	0423-732	2		Screw, Shoulder
16	0470-822	1		Shield, Heat
17	0623-797	4		Screw, Self-Tapping
18	0423-460	2		Grommet

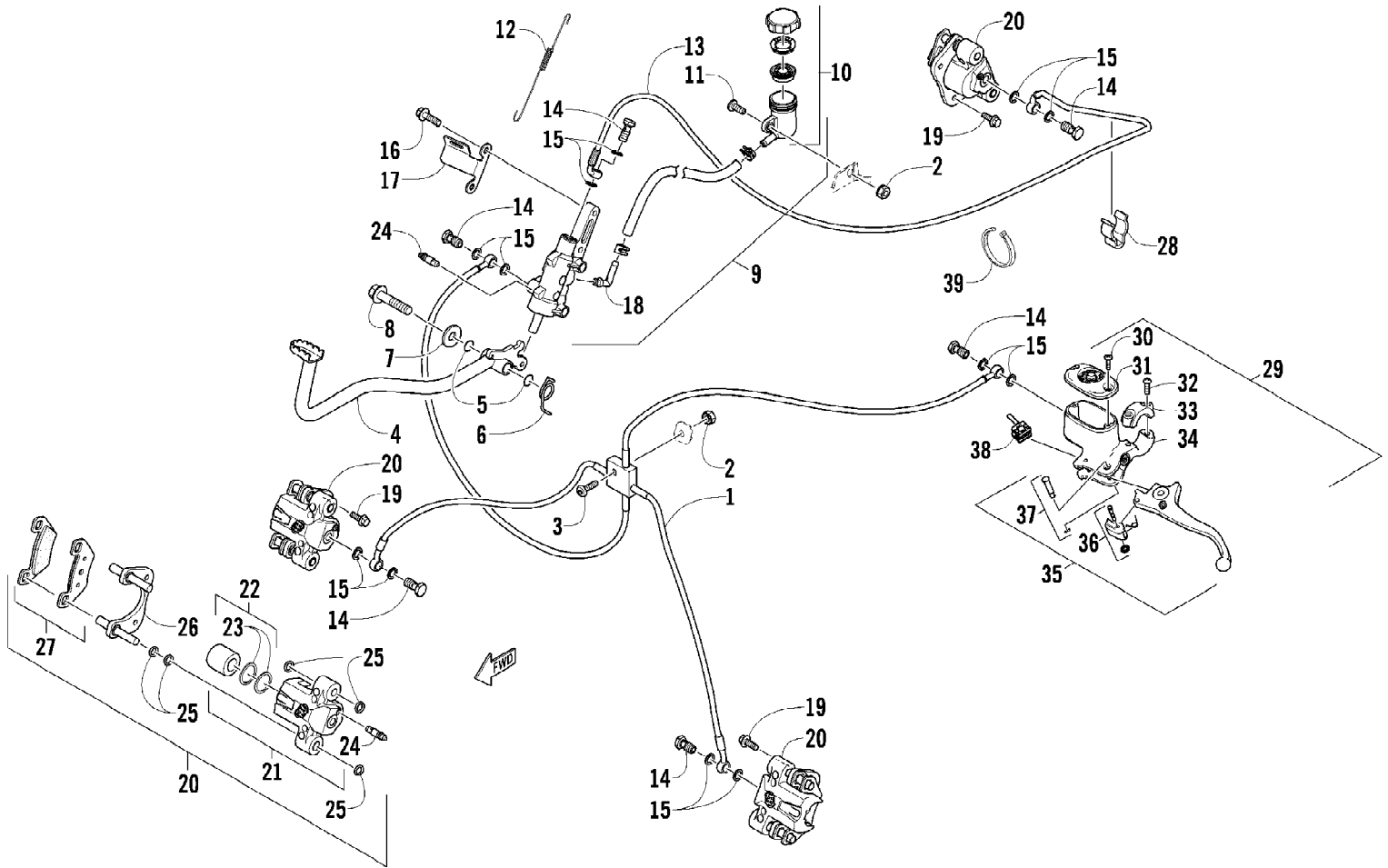


Ref #	Part Number	Qty	S/P/F	Description
1	0818-126	1	/P	Shaft, Gear Shift - Assembly (inc. 2-8 and two No. 9)
2	0818-125	1	/P	Shaft, Gear Shift
3	3304-439	1		Pin, Dowel
4	3304-147	4	/P	Circlip
5	0818-060	2		Spring
6	0818-117	1		Cam, Reverse
7	0831-016	1		C-Ring
8	0818-116	1		Cam, Gear Shift
9	0828-079	3		Washer
10	0828-081	1		Washer, Thrust
11	0828-080	1		Washer, Thrust
12	0818-061	1		Plate, Gear Shift Cam
13	3304-569	1		Screw, Cap
14	0828-084	2		Washer
15	0818-113	1		Shaft, Sub-Gear Shift (inc. 16)
16	3301-875	2		Circlip
17	0830-179	1		Seal
18	0409-125	1		Switch, Gear Position
19	0818-014	1		Arm, Select
20	8468-620	1	/P	Screw, Machine
21	0828-083	1		Washer
22	0818-084	1		Stopper, Cam
23	0818-062	1		Support, Cam Stopper
24	0818-109	1		Spring
25	0828-082	1		Washer
26	3303-331	1	/P	Nut
27	0818-021	1		Shaft, Shift Fork
28	0818-088	2		Fork, Shift

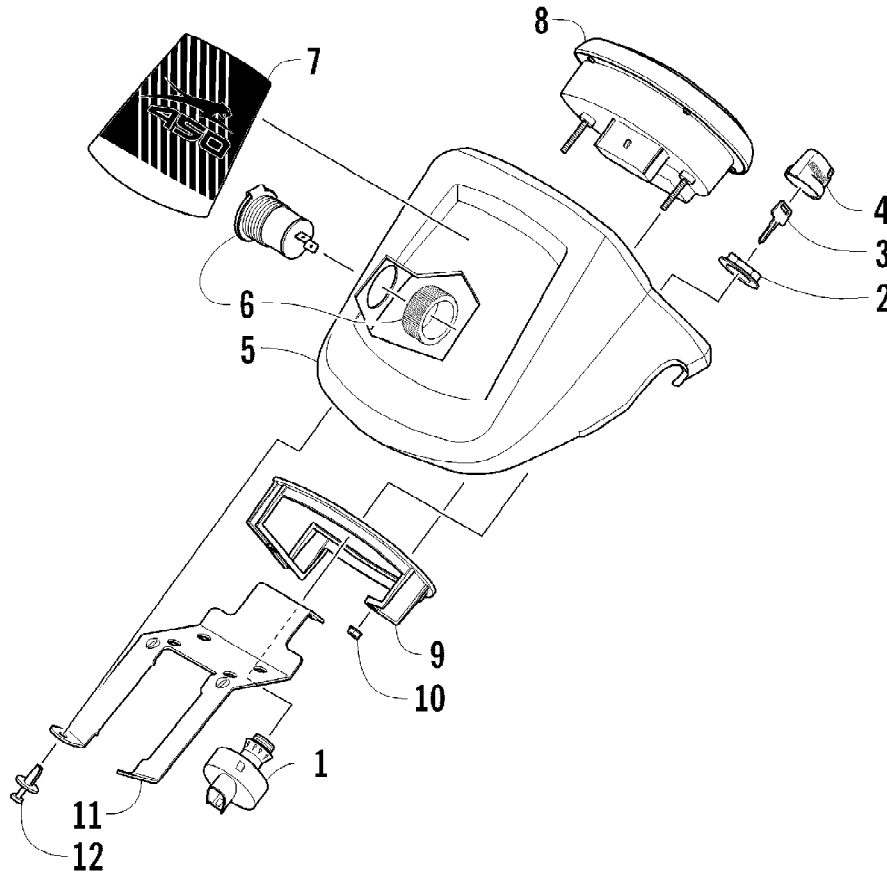


Ref #	Part Number	Qty	S/P/F	Description
1	0505-418	1	/P	Handlebar
2	0405-218	2		Plug, Handlebar
3	0405-147	2		Grip, Handlebar
4	0405-149	2		End Cap, Handlebar
5	8050-247	2	/P	Washer
6	8477-845	2		Screw, Machine
7	0509-054	1		Case, Throttle - Assembly (inc. 8-15)
8	0409-141	1		Cover, Throttle Case w/Switch
9	3007-392	1	/P	Screw, Cap
10	3004-447	1	/P	Washer, Lock
11	3003-030	1	/P	Washer
12	0409-133	1		Lever, Throttle
13	3423-014	1		Screw, Machine
14	3423-327	1		Nut
15	3423-199	2		Screw, Machine
16	0411-966	1		Decal, Warning - Differential Lock
17	1411-865	1		Decal, Warning - Brake Lever Lock
18	3409-019	1		Cover, Switch Housing
19	0509-014	1		Switch, Control - Assembly (inc. 20-21)
20	8464-560	1		Screw, Machine
21	8464-560	1		Screw, Machine

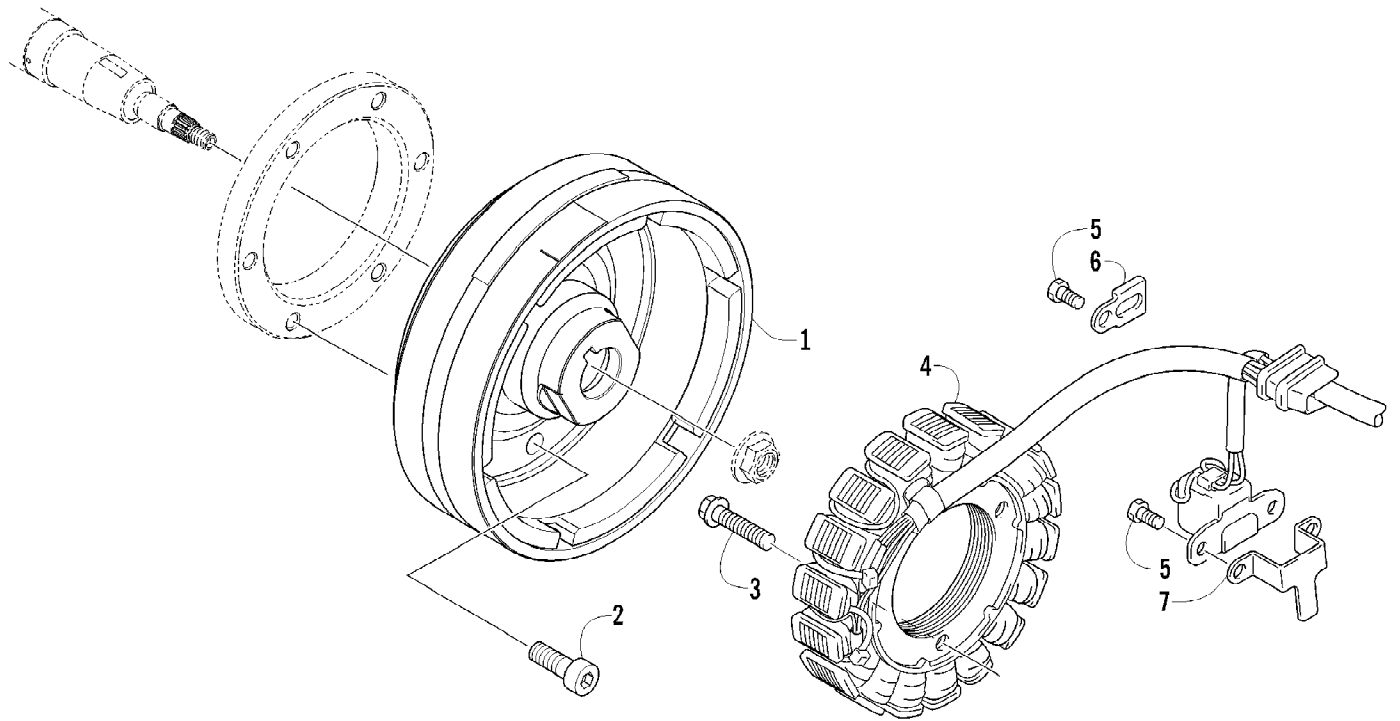
2011 TRV 450 EFI INTERNATIONAL RED (A2011TBK4COSR)
HYDRAULIC BRAKE ASSEMBLY



Ref #	Part Number	Qty	S/P/F	Description
1	1502-015	1		Hose, Brake - Assembly
2	0623-038	2		Nut w/Washer
3	8476-625	1		Screw, Machine
4	1502-063	1		Lever, Brake
5	1602-213	2	/P	O-Ring
6	0502-807	1		Spring, Brake Lever
7	8050-252	1		Washer
8	8408-816	1		Screw, Cap
9	1502-577	1		Brake Assembly (inc. 10)
10	1502-578	1		Reservoir, Brake w/Clamp
11	8476-616	1		Screw, Machine
12	0502-785	1		Spring, Brake Switch
13	1502-591	1		Hose, Brake
14	0423-413	6		Bolt, Banjo-Fitting
15	0423-178	12		Washer, Crush
16	8408-625	2		Screw, Cap
17	0502-840	1		Bracket, Switch
18	1502-296	1	/P	Adapter, Hose
19	8408-821	6	/P	Screw, Cap
20	1502-726	1	S	Caliper, Brake - Right Front (inc. two No. 19 and 21-27)
20	1502-727	1	S	Caliper, Brake - Left Front (inc. two No. 19 and 21-27)
20	1502-727	1	S	Caliper, Brake - Rear (inc. two No. 19 and 21-27)
21	1436-160	1	/P	Housing, Caliper - Assembly - Right Front (inc. two No. 19 and 22-24)
21	1436-161	1	/P	Housing, Caliper - Assembly - Left Front (inc. two No. 19 and 22-24)
21	1436-161	1	/P	Housing, Caliper - Assembly - Rear (inc. two No. 19 and 22-24)
22	0502-606	3		Piston/Seal Set (inc. 23)
23	0502-607	3		Seal Set
24	0502-609	4	/P	Valve, Bleed
25	0502-608	3		O-Ring, Guide - Set
26	0502-605	3		Bracket Assembly
27	1502-694	3	S	Pad, Brake - Set
28	1502-115	2		Clip, Brake Hose
29	0502-914	1	S	Brake Assembly (inc. 30-38)
30	0502-566	1		Screw, Machine - Kit
31	0502-868	1	/P	Cover, Reservoir
32	0502-568	1		Screw, Machine - Kit
33	0502-869	1		Clamp, Master Cylinder
34	0502-704	1		Master Cylinder Assembly
35	0502-866	1		Lever Assembly - Kit (inc. 36-37)
36	0502-867	1	/P	Lock, Brake Lever - Kit
37	0502-580	1		Lever Pin - Kit
38	0502-564	1	/P	Switch, Brake
39	0123-788	AR	/P	Tie, Cable - 8 in.



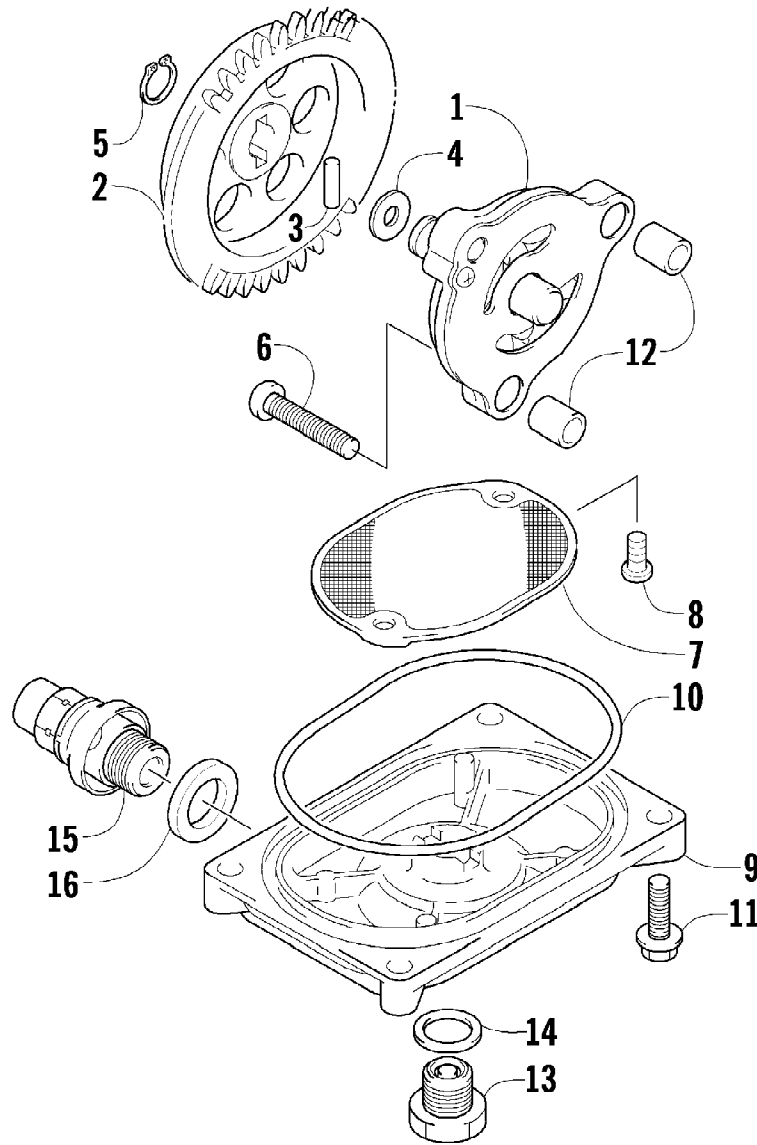
Ref #	Part Number	Qty	S/P/F	Description
1	0430-090	1	/P	Switch, Ignition - Assembly (inc. 2-4)
2	0430-050	1		Nut, Retaining
3	0430-042	1		Key, Ignition (Y Series - Left-Side Cut)
3	0430-043	1		Key, Ignition (Z Series - Right-Side Cut)
4	0430-054	1		Cover, Key
5	0405-273	1		Instrument Pod
6	0641-897	1	/P	Outlet, Accessory - 12V
7	2411-397	1		Decal, Instrument Pod
8	0520-099	1		Gauge, LCD
9	0420-065	1	/P	Bracket, Retaining
10	0423-493	2		Nut w/Washer
11	2506-470	1		Bracket, Mounting - Instrument Pod
12	0423-535	2		Rivet, Reinstallable



2011 TRV 450 EFI INTERNATIONAL RED (A2011TBK4COSR)
MAGNETO ASSEMBLY

Page 47 of 81

Ref #	Part Number	Qty	S/P/F	Description
1	0802-057	1		Rotor/Flywheel
2	0826-120	6		Screw, Cap
3	3305-945	3		Screw, Cap
4	0802-056	1		Stator Assembly
5	3303-308	3		Screw, Cap
6	0802-003	1		Clamp, Routing
7	0802-004	1		Clamp, Routing

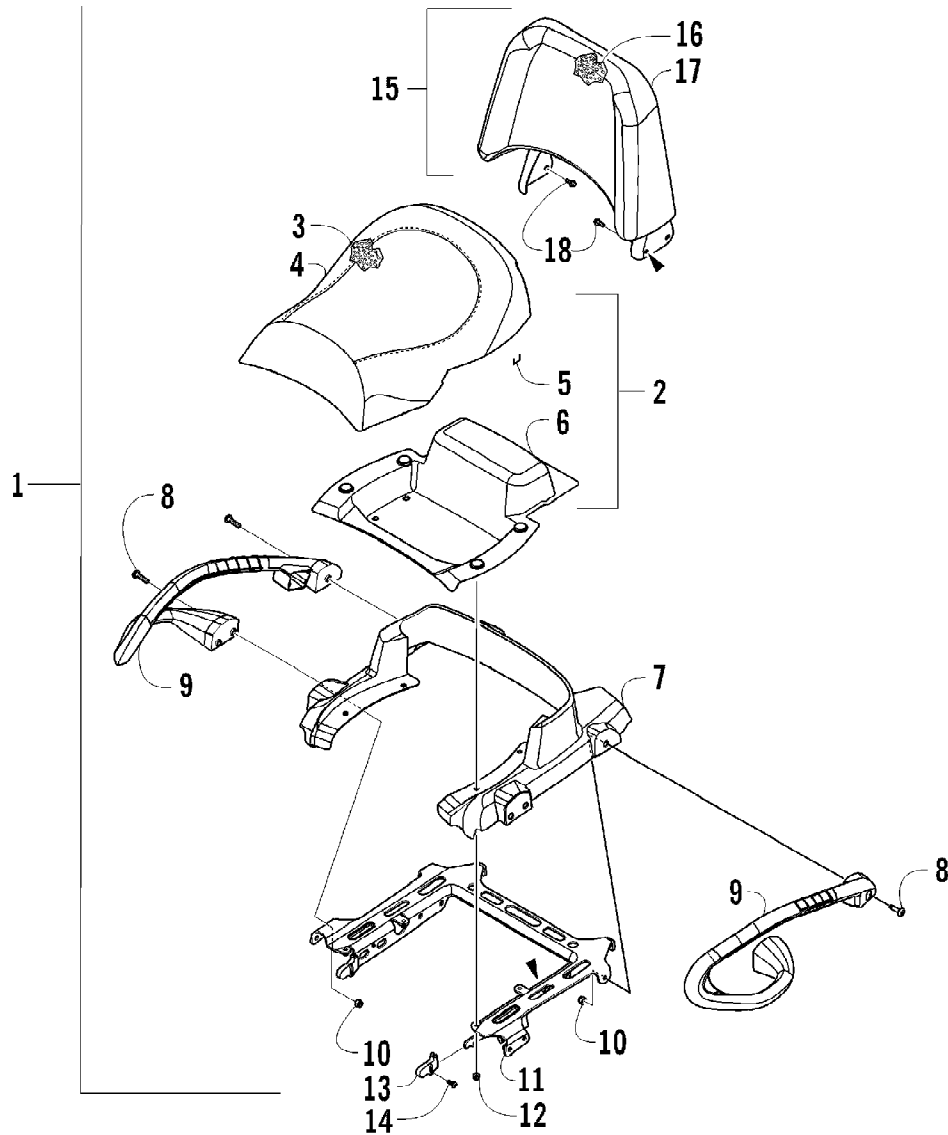


2011 TRV 450 EFI INTERNATIONAL RED (A2011TBK4COSR)
OIL PUMP AND STRAINER ASSEMBLY

Page 49 of 81

Ref #	Part Number	Qty	S/P/F	Description
1	0812-069	1		Pump, Oil
2	0812-010	1		Gear, Driven
3	0812-036	1		Pin, Dowel
4	0828-007	1	/P	Washer
5	3004-146	1		Ring, Retaining
6	0826-131	3		Screw, Machine
7	0812-049	1		Strainer, Oil
8	3313-722	2		Screw, Cap
9	0812-038	1		Cap, Oil Strainer
10	0830-159	1		O-Ring
11	3303-384	4	/P	Screw, Cap
12	0829-033	2		Pin, Dowel
13	0812-065	1		Plug, Drain
14	0830-143	1	/P	Gasket
15	0812-067	1		Valve, Oil-Relief - Assembly (inc. 16)
16	0830-181	1		O-Ring

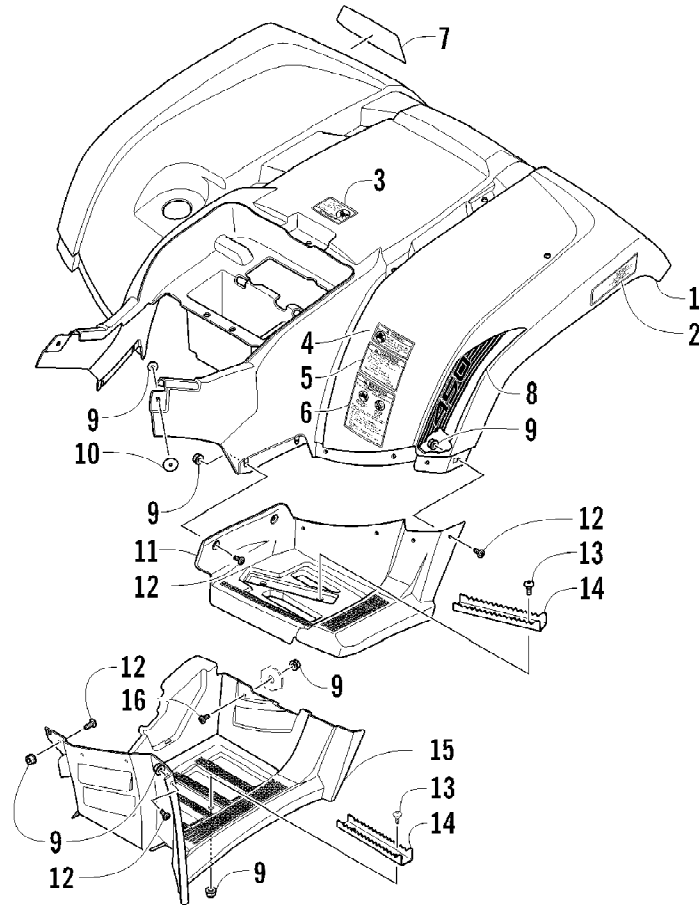
2011 TRV 450 EFI INTERNATIONAL RED (A2011TBK4COSR)
PASSENGER SEAT AND BACKREST ASSEMBLY



2011 TRV 450 EFI INTERNATIONAL RED (A2011TBK4COSR)
PASSENGER SEAT AND BACKREST ASSEMBLY

Page 51 of 81

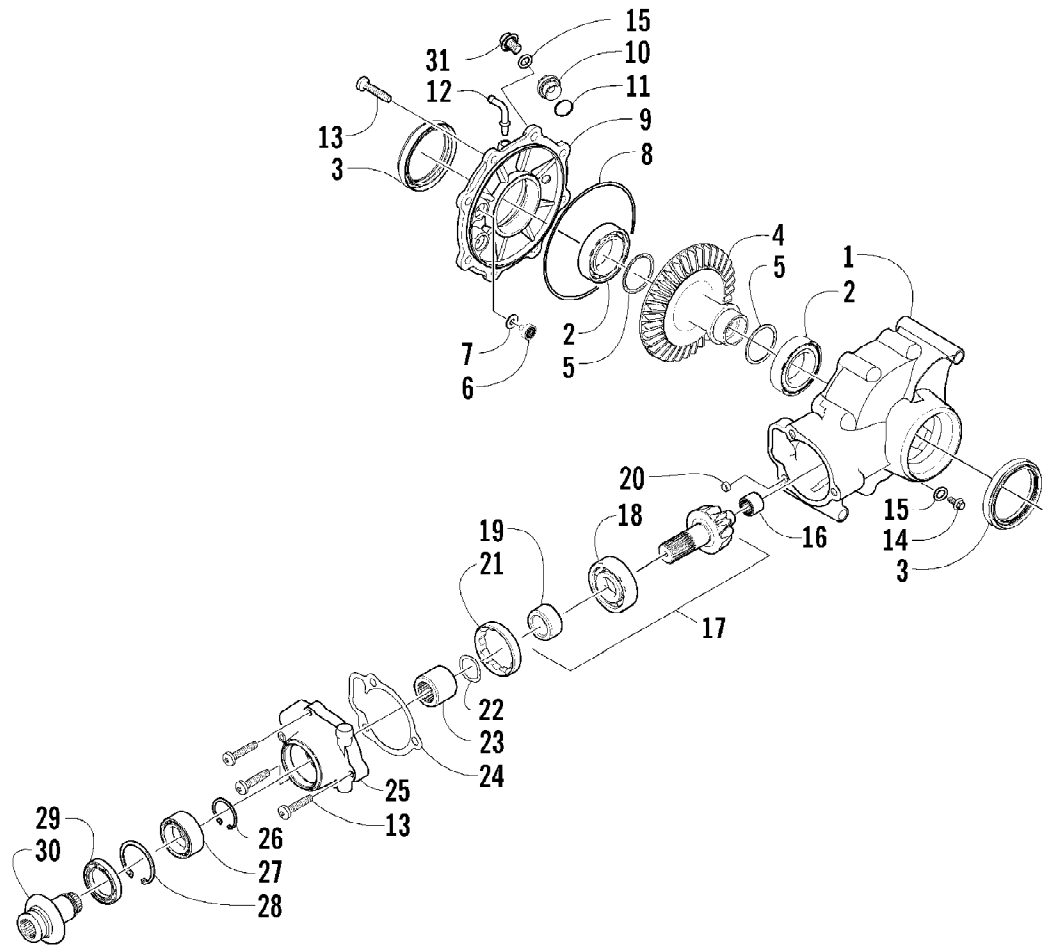
Ref #	Part Number	Qty	S/P/F	Description
1	2516-896	1		Seat, Passenger - Assembly (inc. 2-14)
2	2506-064	1		Seat, Passenger - Sub-Assembly (inc. 3-6)
3	1506-816	1		Foam, Seat - Passenger
4	1506-815	1		Cover, Seat - Passenger
5	0624-263	AR		Staple
6	2406-110	1		Base, Seat - Inner
7	2406-044	1		Base, Seat - Passenger
8	8468-830	6		Screw, Machine
9	2406-834	1		Handhold, Passenger - Right
9	2406-835	1		Handhold, Passenger - Left
10	8432-802	6		Nut, Lock
11	2516-040	1		Bracket, Seat Support - Assembly
12	8427-602	4		Nut, Lock
13	2406-895	2		End Cap, Seat Support
14	0423-538	2		Screw, Self-Tapping
15	2516-020	1		Backrest Assembly (inc. 16-17)
16	2516-018	1		Foam, Backrest
17	2516-141	1		Cover, Backrest
18	8408-816	4		Screw, Cap



2011 TRV 450 EFI INTERNATIONAL RED (A2011TBK4COSR)
 REAR BODY PANEL AND FOOTWELL ASSEMBLIES

Page 53 of 81

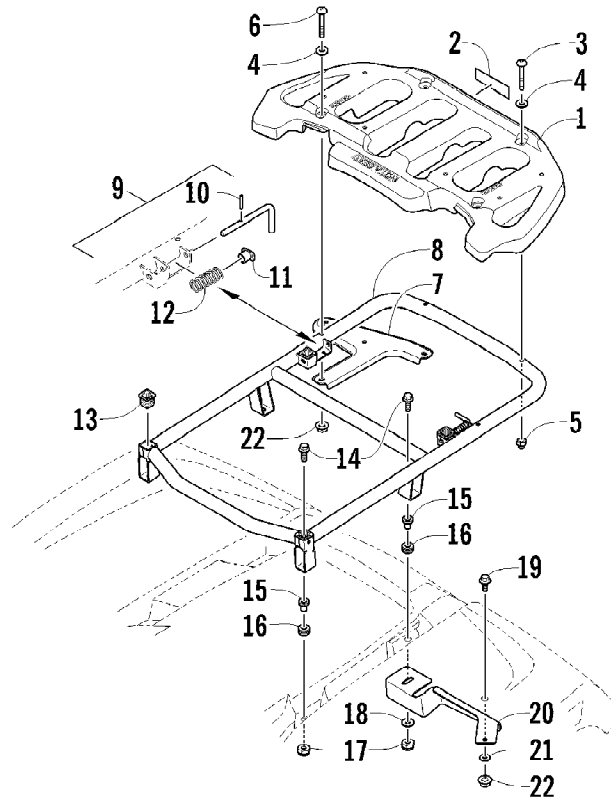
Ref #	Part Number	Qty	S/P/F	Description
1	4506-307	1	/P	Fender, Rear - Assembly (inc. 2-6)
2	1411-592	1	/P	Decal, Reflector - Right
2	1411-593	1	/P	Decal, Reflector - Left
3	1411-251	1		Decal, Warning - Passenger Seat
4	1411-269	1		Decal, Warning - Passenger
5	2411-138	1	/P	Decal, Warning - Tire Pressure
6	2411-257	1		Decal, Warning - Passenger Safety
7	2411-261	1		Decal, "Arctic Cat"
8	2411-394	1		Decal, 450 - Right
8	2411-395	1		Decal, 450 - Left
9	0423-540	34		Nut, Lock
10	0423-101	2		Screw, Shoulder
11	2406-042	1		Footwell, Rear - Right
11	2406-043	1		Footwell, Rear - Left
12	0423-419	22		Screw, Machine
13	0423-355	8		Screw, Shoulder
14	1506-125	4	/P	Footpeg
15	4506-156	1		Footwell - Right
15	4506-157	1		Footwell - Left
16	8477-620	2		Screw, Machine



2011 TRV 450 EFI INTERNATIONAL RED (A2011TBK4COSR)
REAR DRIVE GEARCASE ASSEMBLY

Page 55 of 81

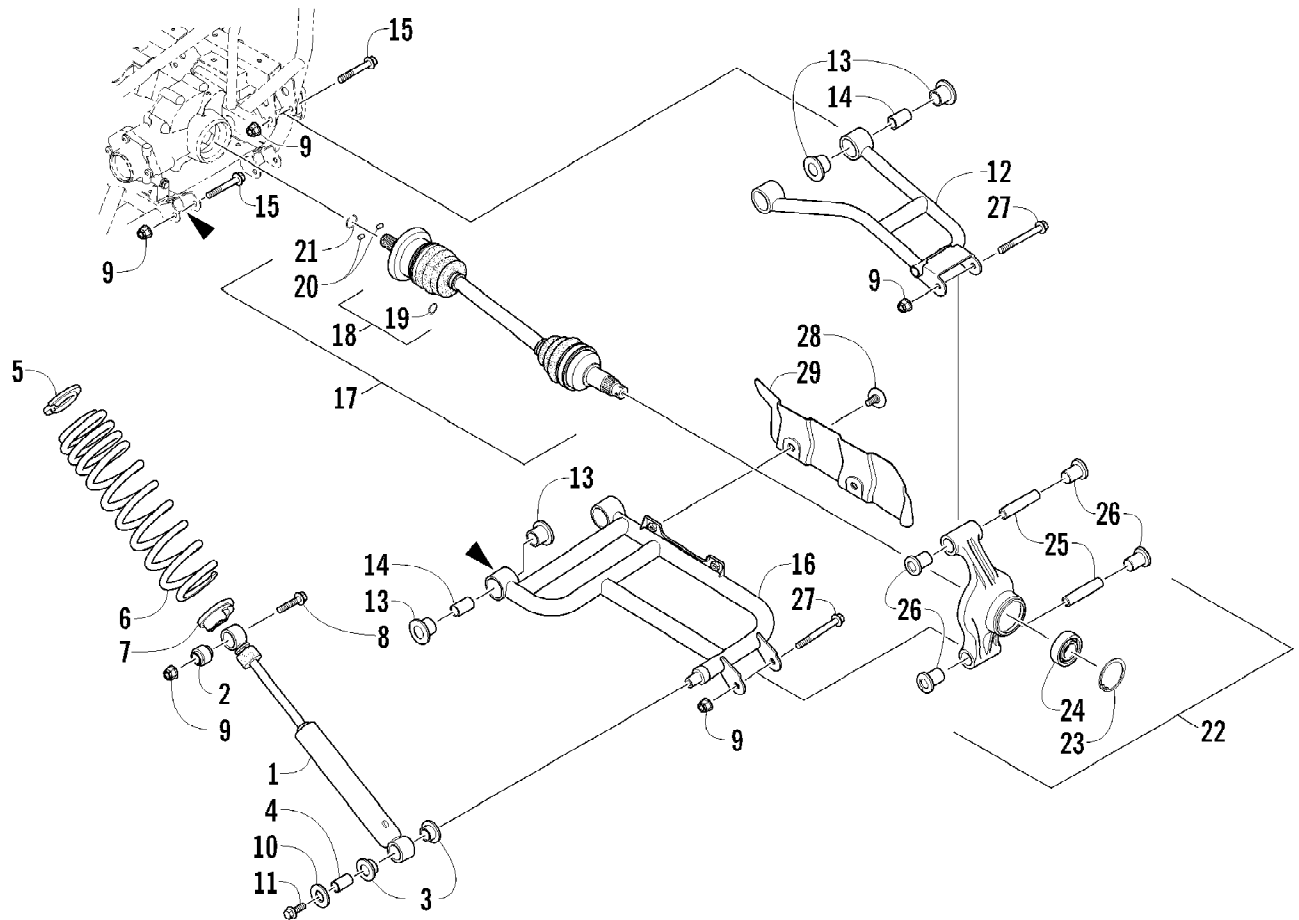
Ref #	Part Number	Qty	S/P/F	Description
	1502-401	1		Complete Rear Drive Gearcase Assembly
1	1502-317	1		Housing, Gearcase
2	0402-393	2		Bearing
3	1402-713	2	S	Seal
4	1402-033	1		Gear, Ring - 34T
5	0402-405	AR		Shim, 41 x 49 x 1.3 mm
5	0402-406	AR		Shim, 41 x 49 x 1.4 mm
5	0402-407	AR		Shim, 41 x 49 x 1.5 mm
5	0402-408	AR		Shim, 41 x 49 x 1.6 mm
5	0402-409	AR		Shim, 41 x 49 x 1.7 mm
6	0402-326	1		Button, Thrust
7	0402-429	AR		Shim, 6.3 x 18 x 1.3 mm
7	0402-430	AR		Shim, 6.3 x 18 x 1.4 mm
7	0402-431	AR		Shim, 6.3 x 18 x 1.5 mm
7	0402-432	AR		Shim, 6.3 x 18 x 1.6 mm
7	0402-433	AR		Shim, 6.3 x 18 x 1.7 mm
8	0423-149	1		O-Ring
9	1502-082	1		Cover, Gearcase
10	0402-333	1	/P	Plug, Magnetic (inc. 11)
11	0423-154	1		O-Ring
12	1402-102	1		Fitting
13	0423-118	11		Screw, Self-Tapping
14	1402-210	1	/P	Plug, Fill (inc. one No. 15)
15	0423-153	2		O-Ring
16	0402-328	1		Bearing
17	0502-784	1		Gear, Pinion - Assembly - 11T (inc. 18-19)
18	0402-327	1		Bearing
19	0402-336	1		Collar, Retaining
20	0402-411	1		Pin, Dowel
21	0402-331	1		Collar, Lock
22	0402-982	1		Washer, Wave
23	0402-981	1		Collar, Shaft
24	0402-947	1		Gasket, Flange
25	0502-529	1		Housing, Pinion
26	0423-417	1		Ring, Retaining
27	1402-043	1		Bearing
28	0423-423	1		Ring, Retaining
29	1402-011	1		Seal
30	1502-085	1	/P	Shaft, Input
31	1402-211	1		Plug, Oil Level (inc. one No. 15)



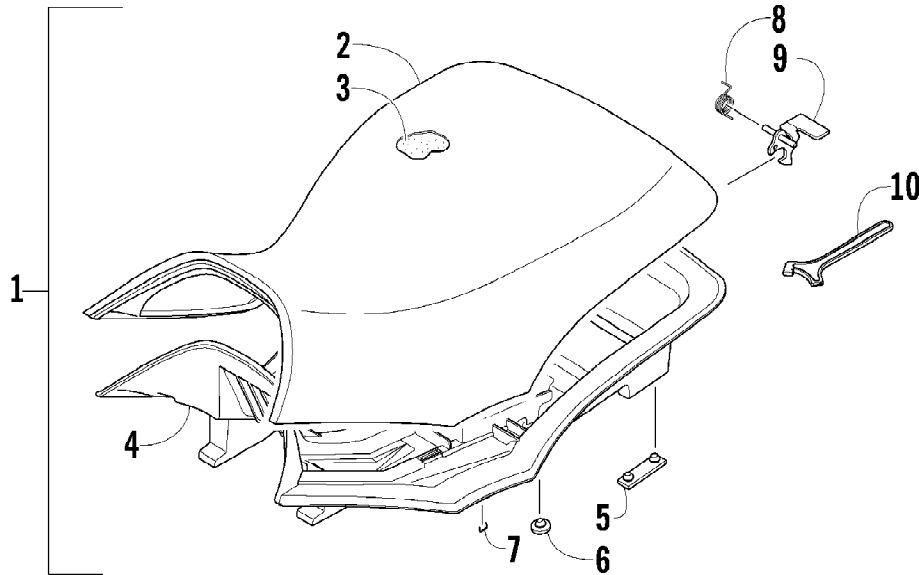
2011 TRV 450 EFI INTERNATIONAL RED (A2011TBK4COSR)
REAR RACK ASSEMBLY

Page 57 of 81

Ref #	Part Number	Qty	S/P/F	Description
1	2516-339	1	/P	Rack, Rear (inc. 2)
2	1411-201	1		Decal, Warning - Load
3	8410-640	3		Screw, Cap
4	8050-223	4		Washer
5	0423-891	2		Nut, Cap
6	8410-645	2		Screw, Cap
7	2506-926	1		Bracket, Mounting - Safety Flag
8	2516-169	1		Base, MRP - Assembly (inc. 9-13)
9	0541-504	2		Pin - Assembly (inc. 10-12)
10	0423-635	2		Pin, Roll
11	0423-677	2		Bushing, Flanged
12	0423-636	2		Spring
13	0441-592	4	/P	Bushing
14	8410-835	4		Screw, Cap
15	0423-669	4		Spacer
16	0423-465	4		Grommet
17	8432-802	4		Nut, Lock
18	0423-087	2		Washer
19	0423-654	2		Screw, Shoulder
20	2506-092	1		Bracket, Rear Fender - Right
20	2506-093	1		Bracket, Rear Fender - Left
21	8050-222	2	/P	Washer
22	0423-540	4		Nut, Lock



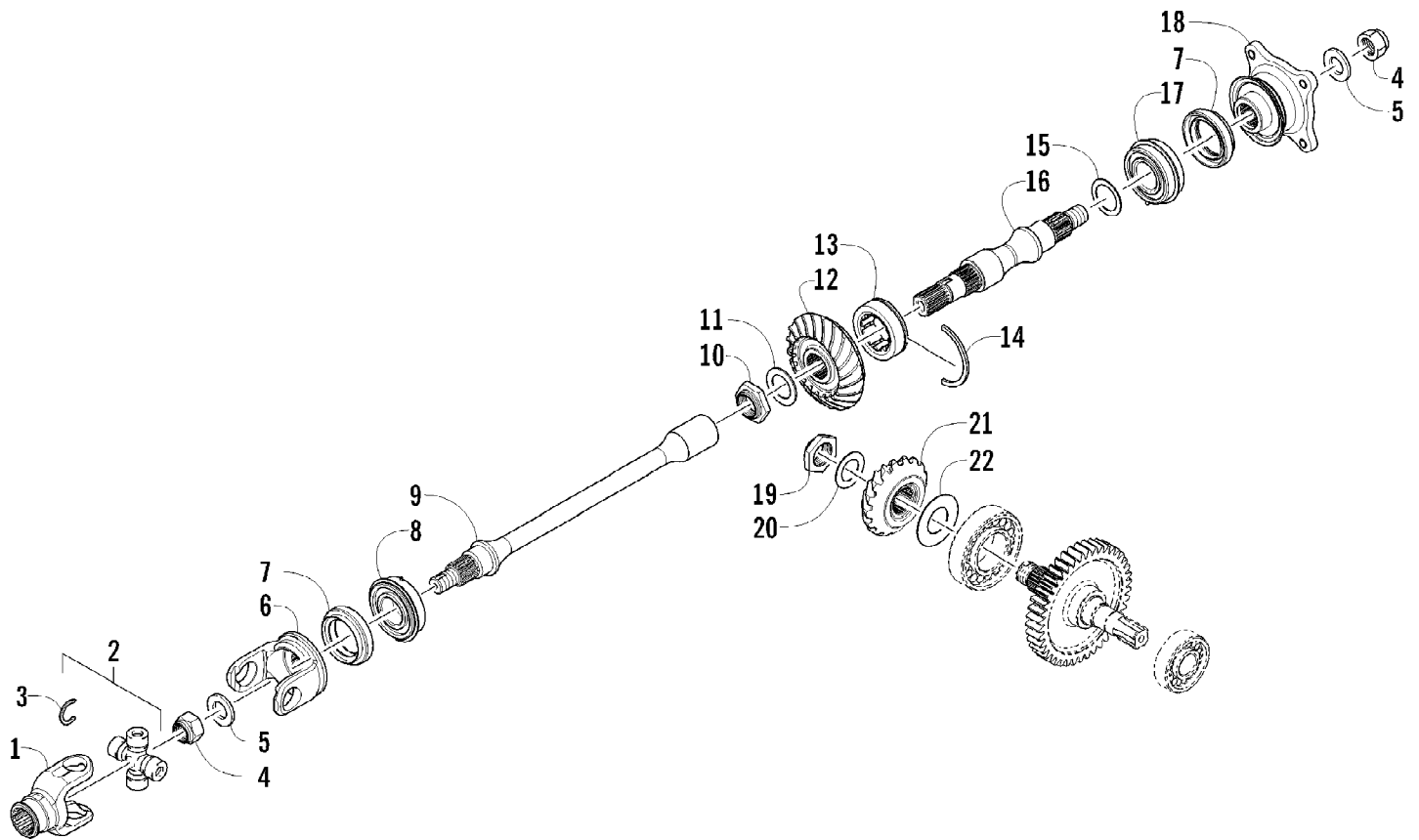
Ref #	Part Number	Qty	S/P/F	Description
1	0404-158	2		Shock Absorber (inc. 2-4)
2	0403-182	2		Bushing
3	0603-955	4		Bushing
4	1603-219	2	S	Sleeve
5	1603-889	2	/P	Retainer, Spring
6	0504-638	2		Spring, Suspension
7	0404-057	2		Cam, Spring Adjuster
8	8409-050	2		Screw, Cap
9	0423-744	14		Nut, Lock
10	0423-087	2		Washer
11	8408-820	2	/P	Screw, Cap
12	0504-582	1		A-Arm, Rear - Upper Right (inc. 13-14)
12	0504-583	1	/P	A-Arm, Rear - Upper Left (inc. 13-14)
13	0403-208	16	/P	Bushing
14	0403-214	8	/P	Axle
15	8409-075	8		Screw, Cap
16	0504-572	1		A-Arm, Rear - Lower Right (inc. 13-14)
16	0504-573	1		A-Arm, Rear - Lower Left (inc. 13-14)
17	1502-798	2	S	Axle, Drive (inc. 18-21)
18	1436-419	2		Repair Kit, Boot (inc. 19)
19	1441-988	2		Clip, Retaining
20	1402-884	4		Pin, Detent
21	1402-890	2		Clip, Retaining
22	0504-548	1	/P	Knuckle, Right - Assembly (inc. 23-26)
22	0504-549	1	/P	Knuckle, Left - Assembly (inc. 23-26)
23	0423-423	2		Ring, Retaining
24	1402-809	2	/P	Bearing
25	0403-213	4	/P	Axle
26	0403-206	8	/P	Bushing
27	8409-000	4		Screw, Cap
28	0423-545	4	/P	Screw, Shoulder
29	1406-068	1		Guard, Boot - Rear - Right
29	1406-069	1		Guard, Boot - Rear - Left



2011 TRV 450 EFI INTERNATIONAL RED (A2011TBK4COSR)
SEAT ASSEMBLY

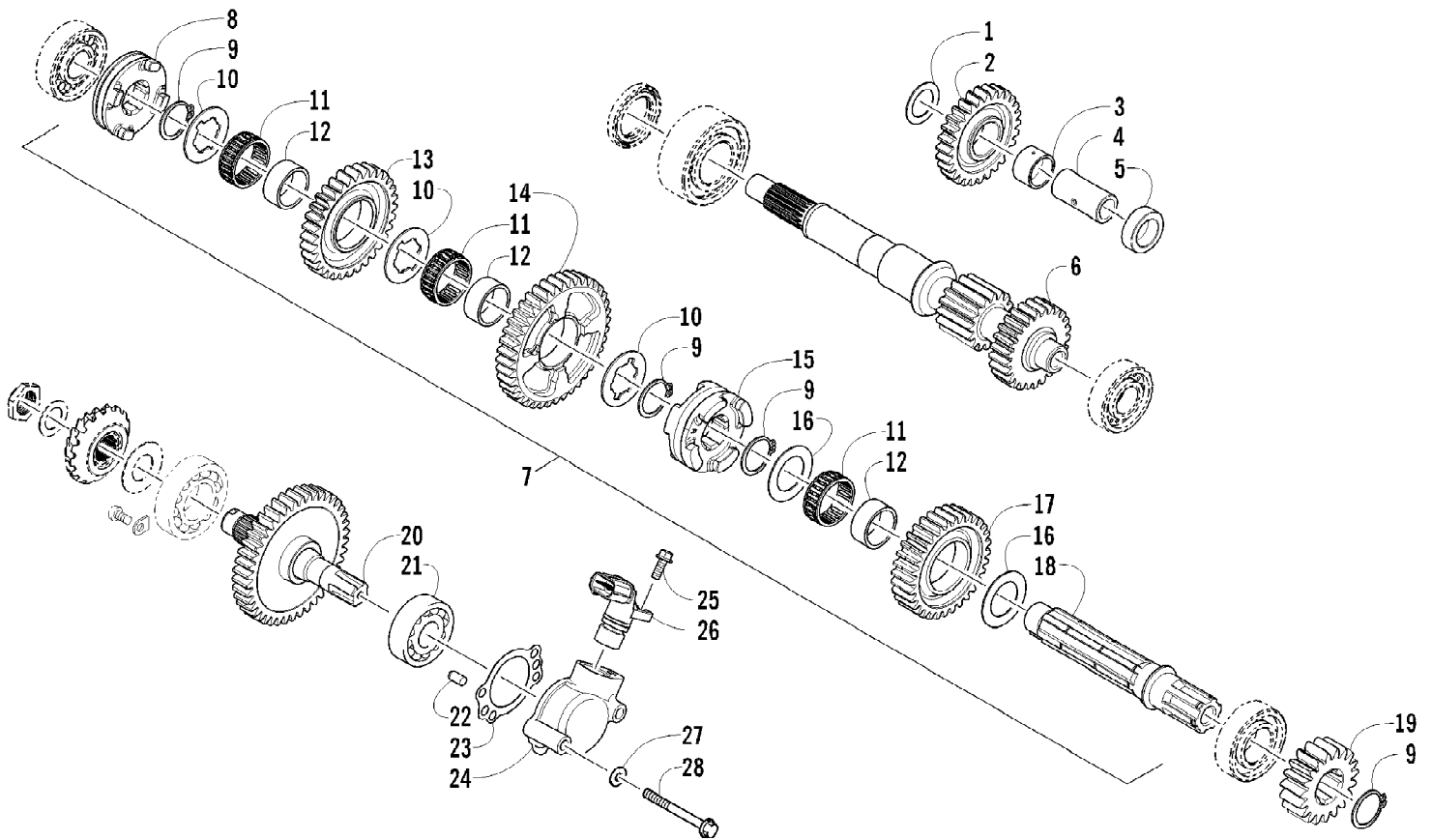
Page 61 of 81

Ref #	Part Number	Qty	S/P/F	Description
1	2516-895	1	S	Seat Assembly (inc. 2-9)
2	1506-209	1		Cover, Seat
3	0517-119	1		Foam, Seat
4	2406-144	1	S/P	Base, Seat - Assembly (inc. 5-6)
5	0406-879	2		Bumper, Seat - Rear
6	0406-877	4	/P	Bumper, Seat - Front
7	0624-263	AR		Staple
8	1406-592	1	/P	Spring, Seat Latch
9	1506-156	1		Latch, Seat
10	0441-587	1		Wrench, Spanner



Ref #	Part Number	Qty	S/P/F	Description
1	0819-063	1		Yoke, Propeller Shaft Joint
2	1402-164	1	/P	Joint, Universal - Set (inc. 3)
3	0423-450	4		Clip, Retaining
4	0817-001	2	S	Nut
5	3304-958	2		Washer
6	0819-071	1		Yoke, Drive Output
7	0830-144	2		Seal, Oil
8	0832-026	1		Bearing
9	0819-020	1		Shaft, Secondary Driven
10	0827-022	1		Nut
11	0828-090	1		Washer
12	0819-019	1		Gear, Secondary Driven
13	0832-040	1		Bearing
14	0819-070	1		C-Ring
15	3305-955	AR		Shim, 25 x 34 x 0.60 mm
15	3305-956	AR		Shim, 25 x 34 x 0.65 mm
15	3305-957	AR		Shim, 25 x 34 x 0.70 mm
15	3305-958	AR		Shim, 25 x 34 x 0.75 mm
15	3305-959	AR		Shim, 25 x 34 x 0.80 mm
15	3305-960	AR		Shim, 25 x 34 x 0.85 mm
15	3305-961	AR		Shim, 25 x 34 x 0.90 mm
15	3305-962	AR		Shim, 25 x 34 x 0.95 mm
15	3305-963	AR		Shim, 25 x 34 x 1.00 mm
15	3305-964	AR		Shim, 25 x 34 x 1.05 mm
15	3305-965	AR		Shim, 25 x 34 x 1.10 mm
15	0828-088	AR		Shim, 25 x 34 x 1.15 mm
15	3305-966	AR		Shim, 25 x 34 x 1.20mm
15	3305-967	AR		Shim, 25 x 34 x 1.25mm
16	0819-021	1		Shaft, Secondary Driven
17	0832-041	1		Bearing
18	0819-022	1		Flange, Output Joint
19	0827-047	1		Nut
20	3304-042	1		Washer, Thrust
21	0819-018	1		Gear, Secondary Drive
22	3306-009	AR		Shim, 30 x 48 x 0.60 mm
22	3306-010	AR		Shim, 30 x 48 x 0.65 mm
22	3306-011	AR		Shim, 30 x 48 x 0.70 mm
22	3306-012	AR		Shim, 30 x 48 x 0.75 mm
22	3306-013	AR		Shim, 30 x 48 x 0.80 mm
22	3306-014	AR		Shim, 30 x 48 x 0.85 mm
22	3306-015	AR		Shim, 30 x 48 x 0.90 mm
22	3306-016	AR		Shim, 30 x 48 x 0.95 mm
22	3306-017	AR		Shim, 30 x 48 x 1.00 mm
22	3306-018	AR		Shim, 30 x 48 x 1.05 mm
22	3306-019	AR		Shim, 30 x 48 x 1.10 mm
22	3306-020	AR		Shim, 30 x 48 x 1.15 mm
22	3306-021	AR		Shim, 30 x 48 x 1.20 mm
22	3306-022	AR		Shim, 30 x 48 x 1.25 mm

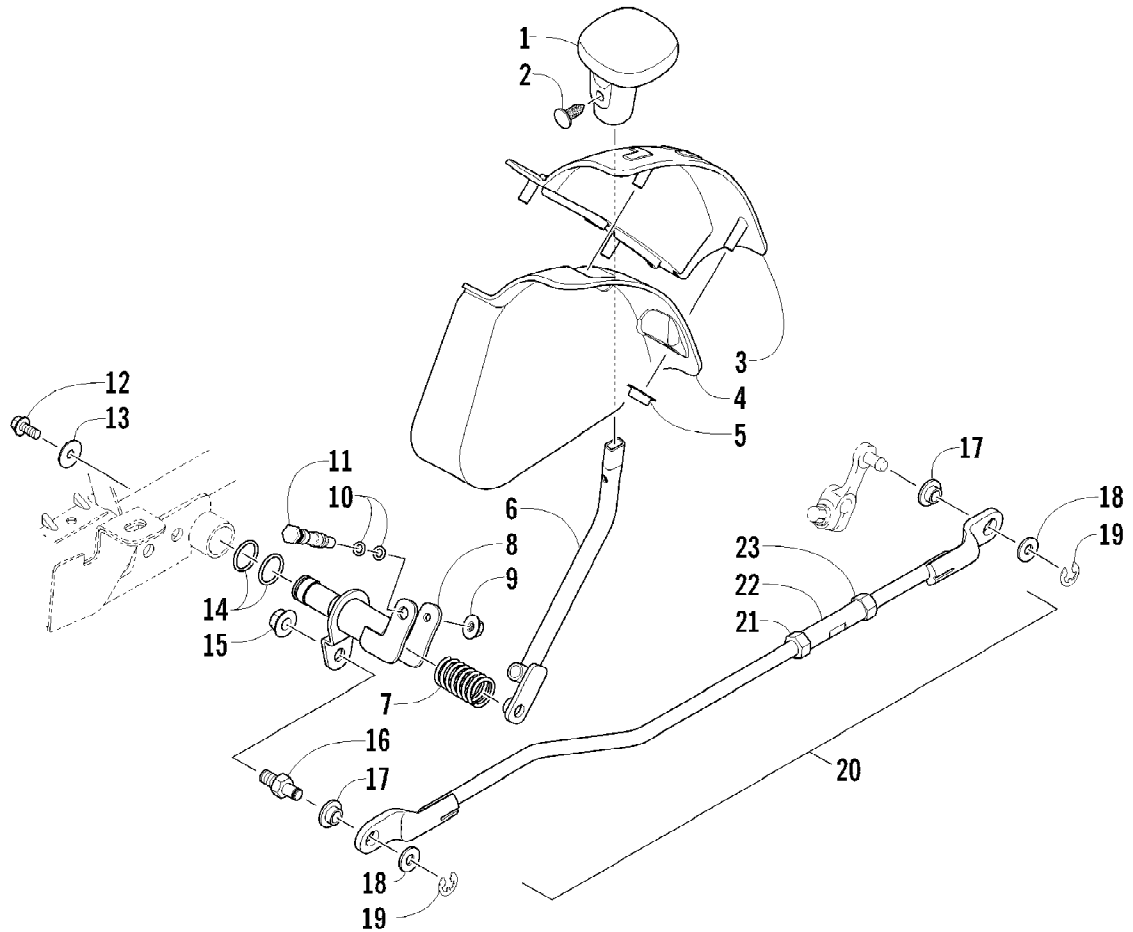
2011 TRV 450 EFI INTERNATIONAL RED (A2011TBK4COSR)
SECONDARY TRANSMISSION ASSEMBLY



2011 TRV 450 EFI INTERNATIONAL RED (A2011TBK4COSR)
SECONDARY TRANSMISSION ASSEMBLY

Page 65 of 81

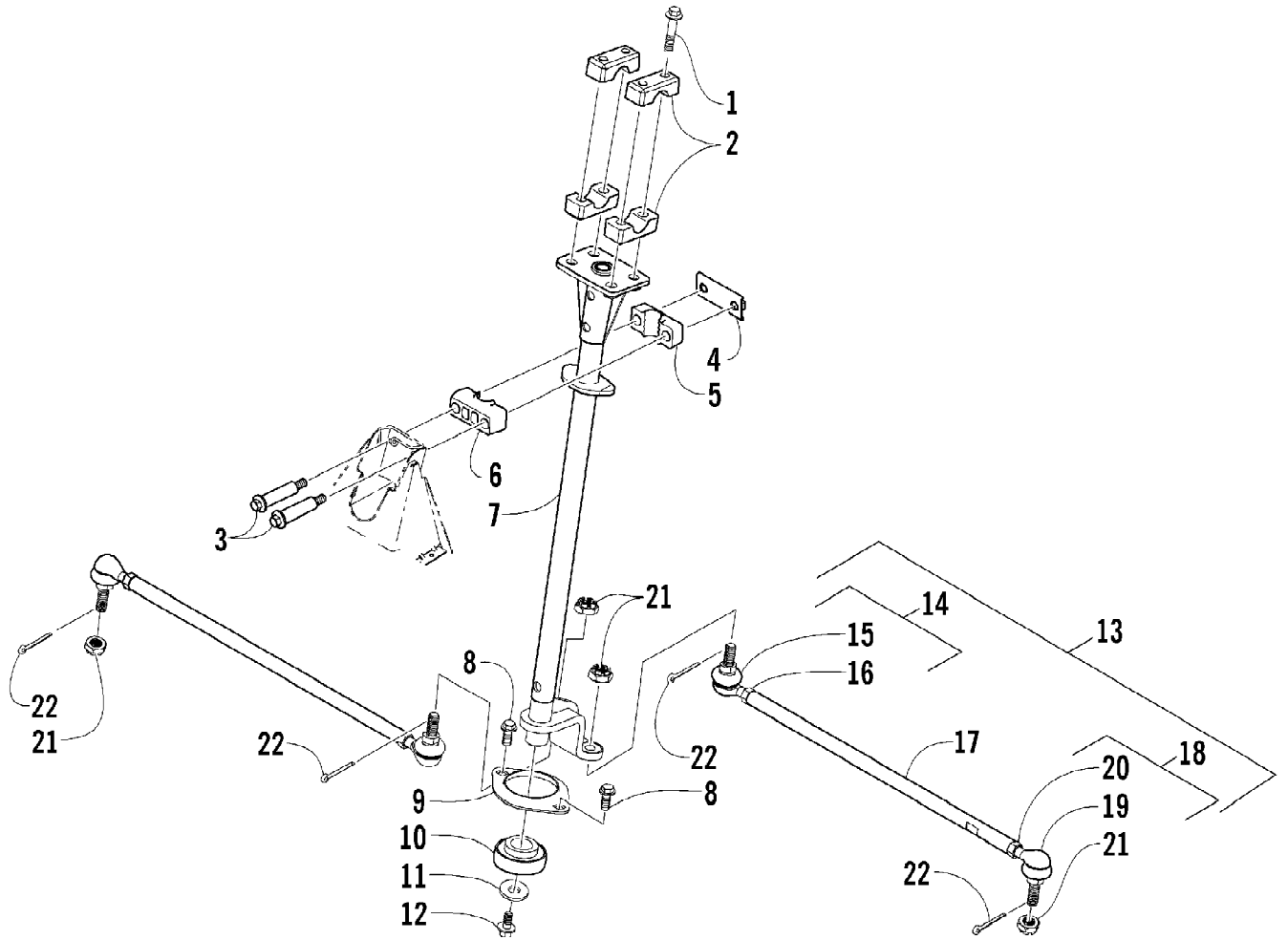
Ref #	Part Number	Qty	S/P/F	Description
1	0828-081	1		Washer
2	0822-061	1		Gear, Reverse Idle
3	0822-065	1		Bushing
4	0822-064	1		Shaft, Reverse Idle
5	0822-029	1		Spacer
6	0822-128	1		Driveshaft
7	0822-129	1		Countershaft Assembly (inc. 8-18)
8	0822-033	1		Gear Select, Reverse
9	3304-147	4	/P	Circlip
10	3304-045	3		Washer
11	0832-038	3		Bearing
12	0822-062	3		Bushing
13	0822-032	1		Gear, Reverse Driven
14	0822-063	1		Gear, Driven - Low
15	0822-027	1		Gear Select, Sliding
16	3304-044	2		Washer, Thrust
17	0818-119	1		Gear, Driven - High
18	0822-025	1		Countershaft
19	0822-028	1		Gear, Drive
20	0822-023	1		Shaft, Output
21	3304-198	1		Bearing
22	3303-395	2		Pin, Dowel
23	0830-156	1		Gasket, Housing
24	0822-105	1		Housing, Speedometer Sensor
25	3303-382	1	/P	Screw, Cap
26	3313-172	1		Sensor, Speedometer
27	0830-155	2	/P	Gasket
28	3303-387	2		Screw, Cap



2011 TRV 450 EFI INTERNATIONAL RED (A2011TBK4COSR)
SHIFT LEVER ASSEMBLY

Page 67 of 81

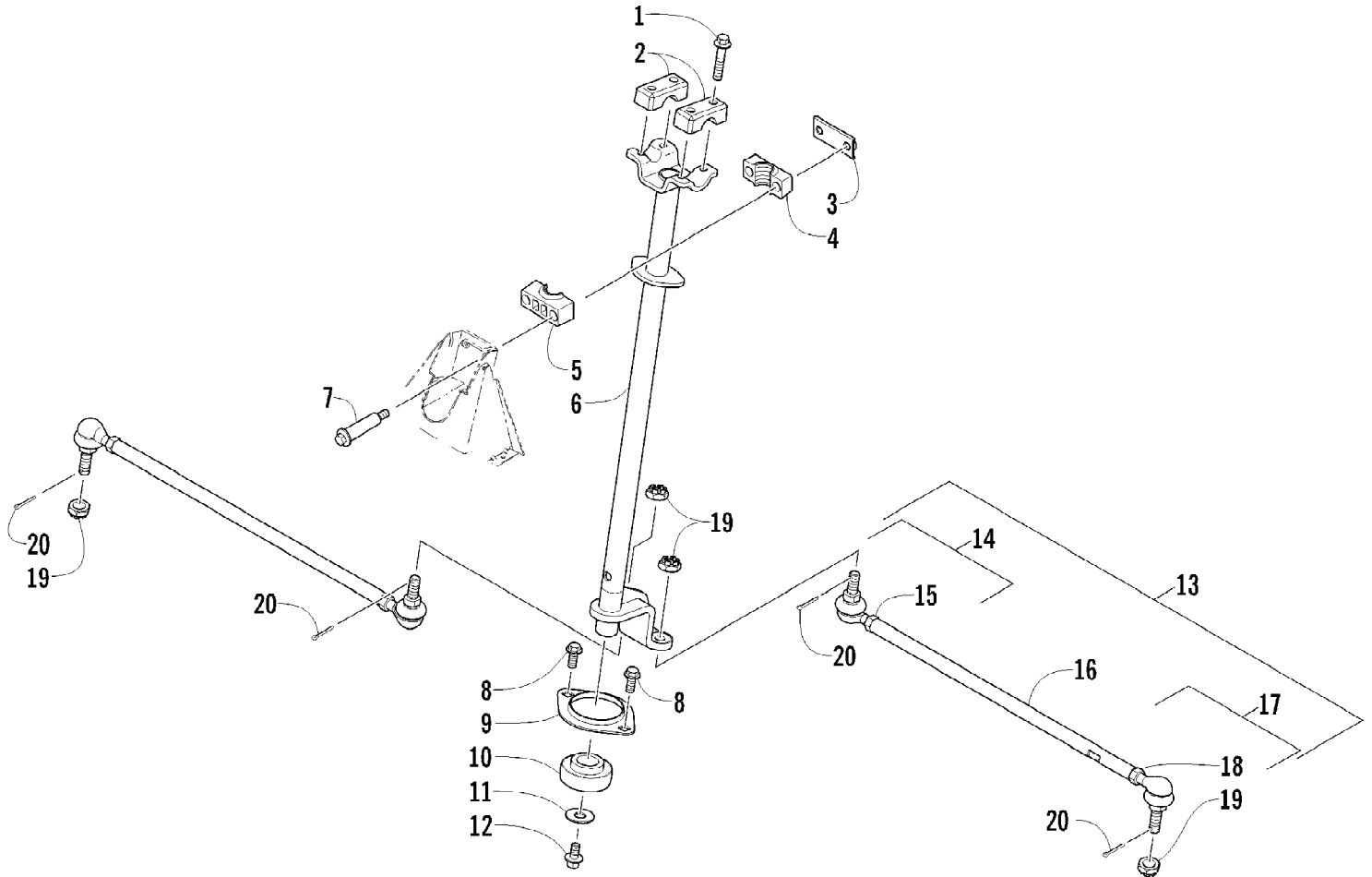
Ref #	Part Number	Qty	S/P/F	Description
1	0402-843	1	/P	Knob, Shift
2	0423-345	1		Clip, Retaining
3	1402-576	1		Plate, Shift
4	2406-345	1		Shield, Shift Plate
5	0423-357	4		Nut, Stamped
6	0502-659	1		Lever, Shift
7	0402-678	1	/P	Spring, Shift Lever
8	1502-332	1		Actuator, Shift
9	8424-602	1	/P	Nut
10	0423-182	2	/P	O-Ring
11	0402-675	1		Axle, Pivot
12	8408-812	1		Screw, Cap
13	0423-087	1		Washer
14	0423-299	2	/P	O-Ring
15	8424-802	1		Nut
16	1402-621	1		Pin, Mounting
17	0423-091	2		Bushing
18	0623-094	2		Washer
19	0423-169	2	/P	E-Ring
20	1502-652	1		Linkage, Shift - Assembly (inc. 21-23)
21	0123-917	1	/P	Nut, Hex - Left-Hand Thread
22	1402-619	1		Coupler
23	0623-294	1		Nut, Hex - Right-Hand Thread



2011 TRV 450 EFI INTERNATIONAL RED (A2011TBK4COSR)
STEERING ASSEMBLY (UP TO VIN: 250000)

Page 69 of 81

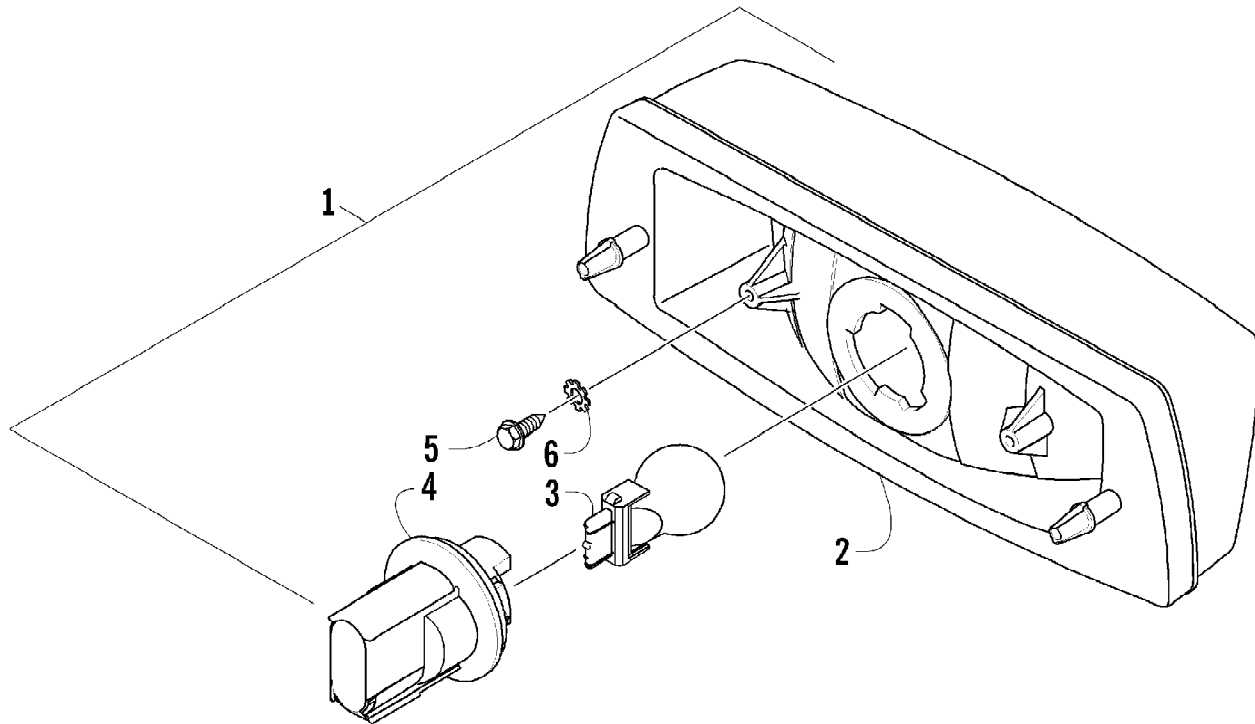
Ref #	Part Number	Qty	S/P/F	Description
1	8408-860	4		Screw, Cap
2	0405-035	4		Cap, Steering Adjuster
3	0423-505	2		Screw, Shoulder
4	0505-484	1		Cap, Housing
5	0405-138	1		Housing, Lower
6	0405-139	1		Housing, Upper
7	0505-451	1	S	Post, Steering
8	8408-816	2		Screw, Cap
9	0602-233	1		Flange, Bearing
10	0405-052	1		Bearing w/Inverted Oil Seal
11	0423-073	1		Washer
12	8409-020	1	/P	Screw, Cap
13	0505-499	2	/P	Tie Rod - Assembly (inc. 14-20)
14	0505-511	2	/P	End, Tie Rod - Left-Hand Thread - Kit (inc. 15-16)
15	0	2	F	End, Tie Rod - Left-Hand Thread
16	0423-013	2		Nut - Left-Hand Thread
17	0405-281	2	/P	Tie Rod
18	0505-510	2	/P	End, Tie Rod - Right-Hand Thread - Kit (inc. 19-20)
19	0	2	F	End, Tie Rod - Right-Hand Thread
20	8420-002	2	/P	Nut - Right-Hand Thread
21	0423-157	4		Nut, Lock
22	0623-175	4		Pin, Cotter



2011 TRV 450 EFI INTERNATIONAL RED (A2011TBK4COSR)
STEERING ASSEMBLY (VIN: 250001 AND UP)

Page 71 of 81

Ref #	Part Number	Qty	S/P/F	Description
1	8408-835	4		Screw, Cap
2	0405-035	2		Cap, Steering Adjuster
3	0505-484	1		Cap, Housing
4	0405-260	1		Housing, Upper
5	0405-259	1		Housing, Lower
6	0505-493	1		Post, Steering
7	0423-505	2		Screw, Shoulder
8	8408-816	2		Screw, Cap
9	0602-233	1		Flange, Bearing
10	0405-052	1		Bearing w/Inverted Oil Seal
11	0423-073	1		Washer
12	8409-020	1	/P	Screw, Cap
13	0505-499	2	/P	Tie Rod - Assembly (inc. 14-18)
14	0505-511	2	/P	End, Tie Rod - Left-Hand Thread - Kit (inc. 15)
15	0423-013	2		Nut - Left-Hand Thread
16	0405-281	2	/P	Tie Rod
17	0505-510	2	/P	End, Tie Rod - Right-Hand Thread - Kit (inc. 18)
18	8420-002	2	/P	Nut - Right-Hand Thread
19	0423-157	4		Nut, Lock
20	0623-175	4		Pin, Cotter

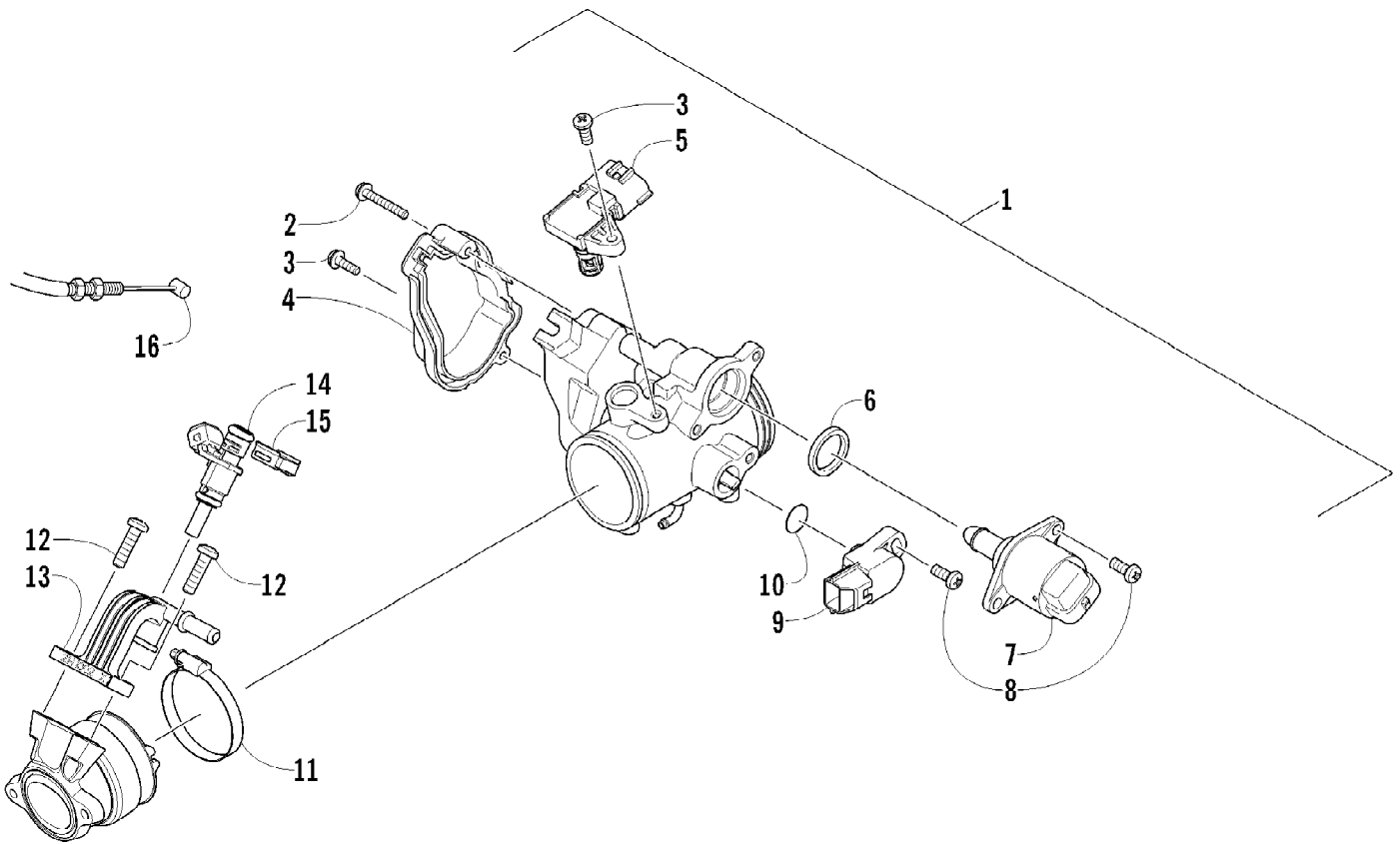


2011 TRV 450 EFI INTERNATIONAL RED (A2011TBK4COSR)
TAILLIGHT ASSEMBLY

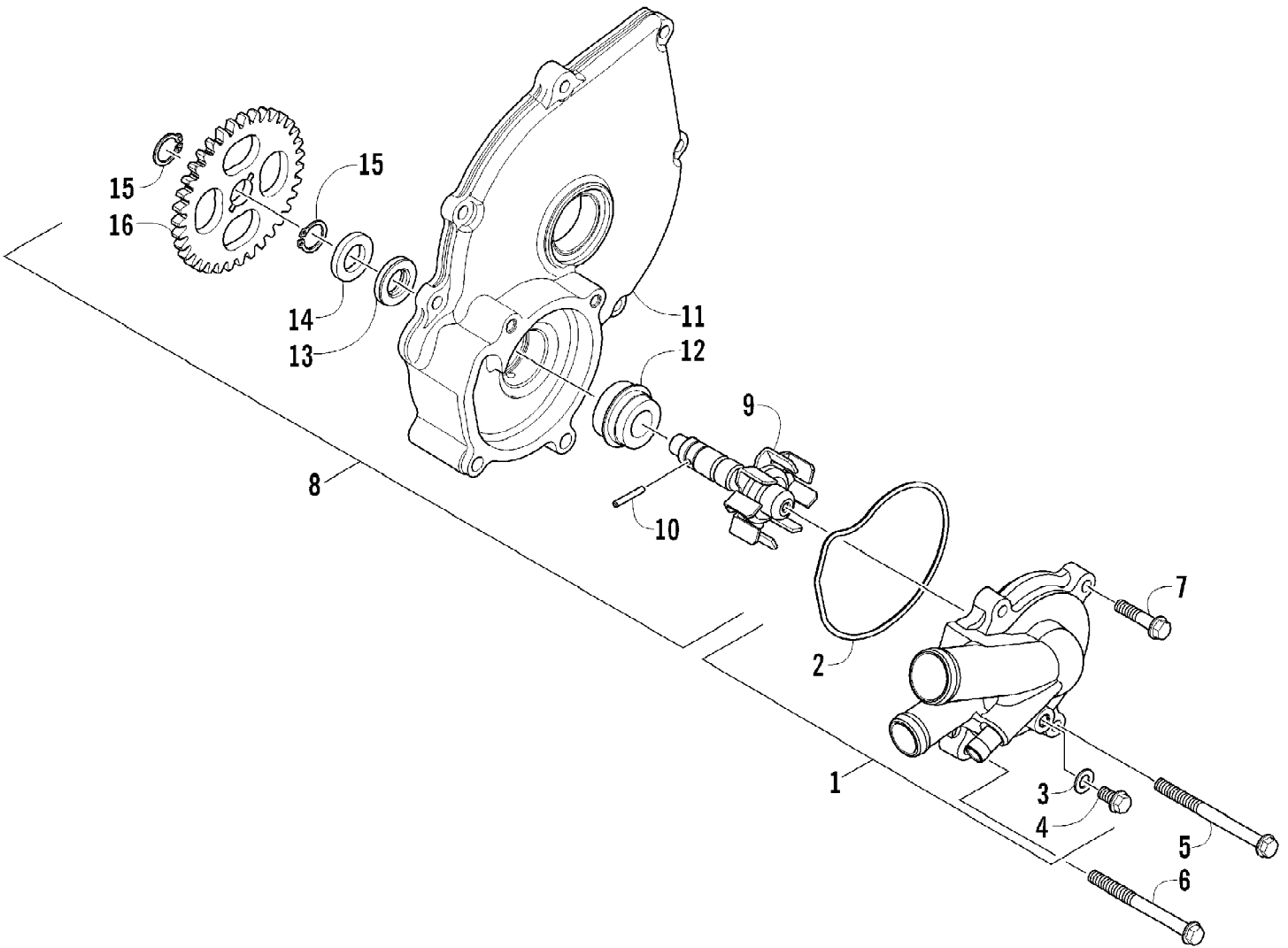
Page 73 of 81

Ref #	Part Number	Qty	S/P/F	Description
1	0509-022	1		Taillight Assembly (inc. 2-4)
2	0509-025	1		Housing, Taillight
3	0409-056	1		Bulb, Taillight
4	0409-057	1		Socket, Taillight
5	0623-301	2	/P	Screw, Self-Tapping
6	8053-212	2	/P	Washer, External Tooth Lock

2011 TRV 450 EFI INTERNATIONAL RED (A2011TBK4COSR)
THROTTLE BODY ASSEMBLY



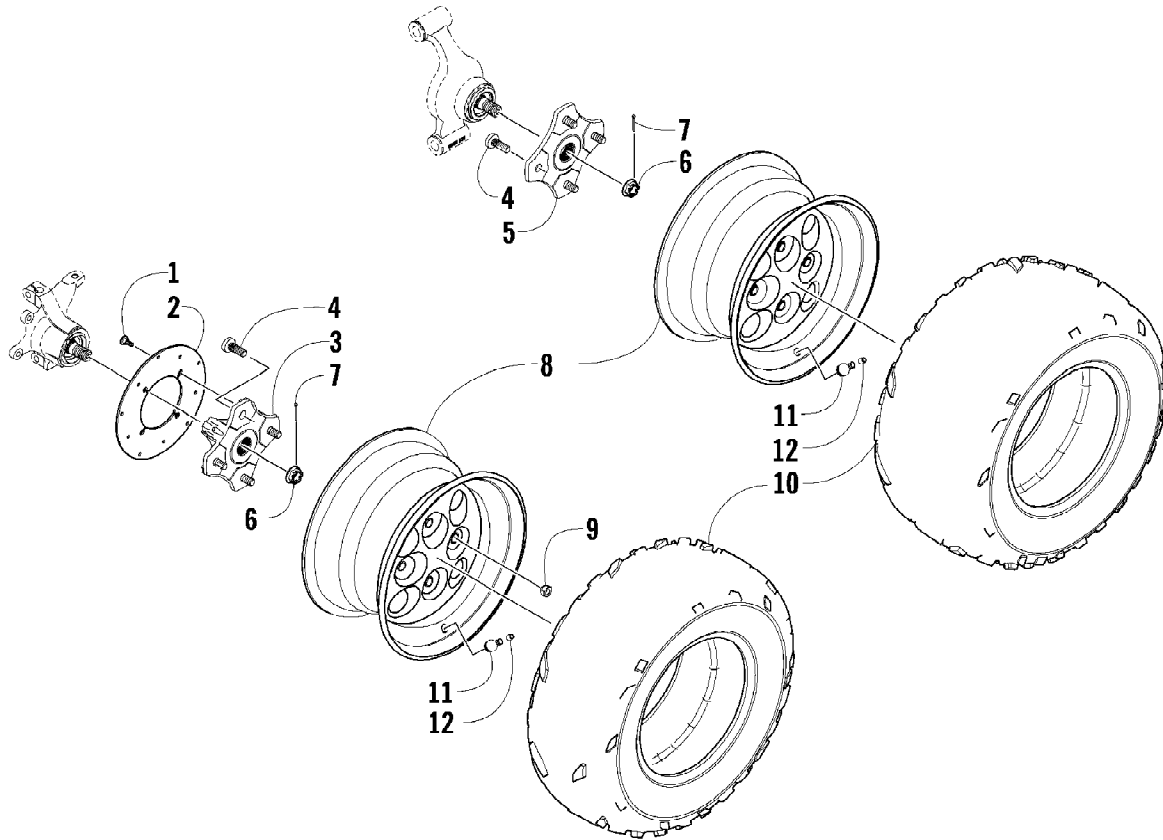
Ref #	Part Number	Qty	S/P/F	Description
1	0570-328	1		Throttle Body - Assembly (inc. 2-10)
2	0835-006	1		Screw, Machine
3	0835-007	2		Screw, Machine
4	0824-060	1		Cover
5	0824-052	1		Sensor, MAP
6	0832-088	1		Seal
7	0824-054	1		Valve, By-Pass - Idle Air
8	3305-953	3		Screw, Machine
9	0824-053	1		Sensor, Throttle Position (inc. 10)
10	3306-150	1		O-Ring
11	0423-019	1		Clamp
12	8468-620	2	/P	Screw, Machine
13	0470-885	1		Rail, Fuel
14	0470-884	1		Injector, Fuel
15	0470-889	1		Clip, Retaining
16	0487-076	1		Cable, Throttle



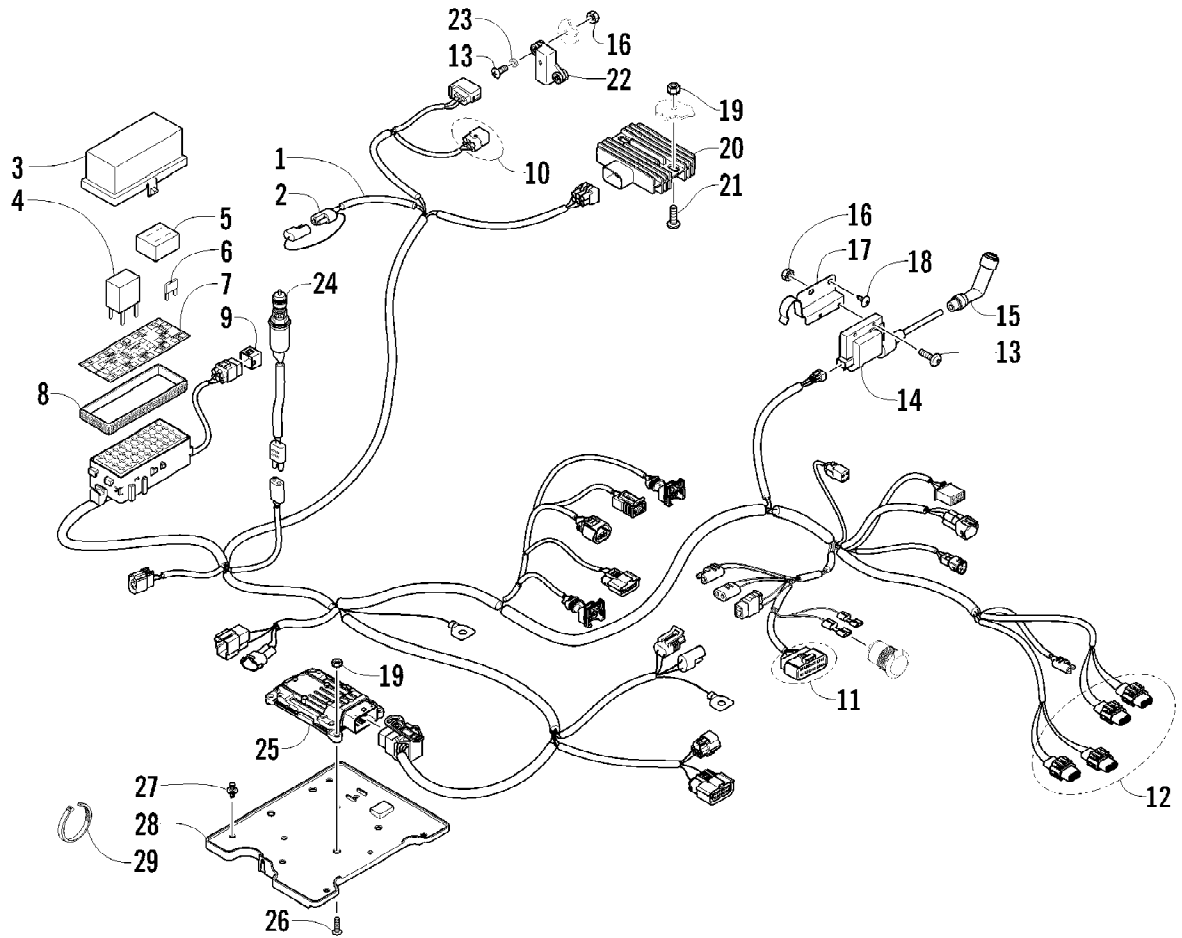
2011 TRV 450 EFI INTERNATIONAL RED (A2011TBK4COSR)
WATER PUMP ASSEMBLY

Page 77 of 81

Ref #	Part Number	Qty	S/P/F	Description
1	0813-054	1	/P	Cover, Water Pump - Assembly (inc. 2-4)
2	0830-208	1		O-Ring
3	3304-049	1		Washer
4	3304-186	1		Screw, Cap
5	0826-065	1		Screw, Cap
6	0826-151	1		Screw, Cap
7	3303-384	2	/P	Screw, Cap
8	0813-051	1		Housing, Water Pump - Assembly (inc. 9-16)
9	0813-057	1		Shaft, Impeller - Assembly
10	0829-057	1		Pin, Alignment
11	0806-123	1		Housing, Water Pump
12	3305-940	1		Seal, Mechanical
13	0830-207	1		Seal, Oil
14	0828-130	1		Washer, Thrust
15	0831-089	2		Circlip
16	0811-037	1		Gear, Driven



Ref #	Part Number	Qty	S/P/F	Description
1	0423-557	12		Screw, Shoulder
2	1436-164	3	/P	Disc, Brake
3	1502-462	2	/P	Hub, Wheel - Front (inc. 4)
4	0402-974	16	/P	Stud
5	1502-462	1	/P	Hub, Wheel - Rear - Right (inc. 4)
5	1502-464	1		Hub, Wheel - Rear - Left (inc. 4)
6	0423-607	4		Nut, Castle
7	0423-407	4		Pin, Cotter
8	1402-776	2		Wheel - Front
8	1402-777	2		Wheel - Rear
9	0423-408	16	/P	Nut, Lug
10	1402-894	2		Tire - Front
10	1402-895	2		Tire - Rear
11	0402-064	4		Stem, Valve (inc. 12)
12	0402-140	4		Cap, Valve Stem



Ref #	Part Number	Qty	S/P/F	Description
1	0486-378	1		Harness, Main (inc. 2-9)
2	0486-164	1		Tether, Accessory Connector
3	0430-085	1		Cover, Fuse Block
4	0430-045	2	/P	Relay (4-Pin) - 20 Amp
4	0430-033	1		Relay (5-Pin) - 20 Amp
5	0430-037	1		Holder, Fuse
6	0430-032	7		Fuse - 10 Amp
6	0430-031	4		Fuse - 15 Amp
6	0430-030	2		Fuse - 30 Amp
7	2411-090	1		Decal, Fuse Block
8	0430-086	1		Seal
9	0430-097	1		Cover, Diagnostics Connector
10	1436-416	1		Repair Kit, Connector - Tilt Sensor
11	1436-415	1		Repair Kit, Connector - LCD Gauge
12	1436-290	AR		Repair Kit, Connector - Headlight
13	8468-425	4		Screw, Machine
14	0824-055	1		Coil, Ignition (inc. 15)
15	0824-056	1		Cap, Spark Plug
16	0423-493	4		Nut w/Washer
17	2516-566	1		Bracket, Mounting - Coil
18	0623-309	2		Screw, Self-Tapping
19	0623-038	6		Nut w/Washer
20	0824-037	1	/P	Regulator, Voltage
21	8476-625	2		Screw, Machine
22	0409-064	1		Sensor, Tilt
23	0123-802	2		Washer
24	0409-089	1		Switch, Brake - Assembly
25	0530-065	1		ECU
26	8476-620	4		Screw, Machine
27	0623-362	4		Rivet, Reinstallable
28	2416-181	1		Tray, Electrical
29	0123-788	AR	/P	Tie, Cable - 8 in.
29	0123-903	AR		Tie, Cable - 11.5 in.