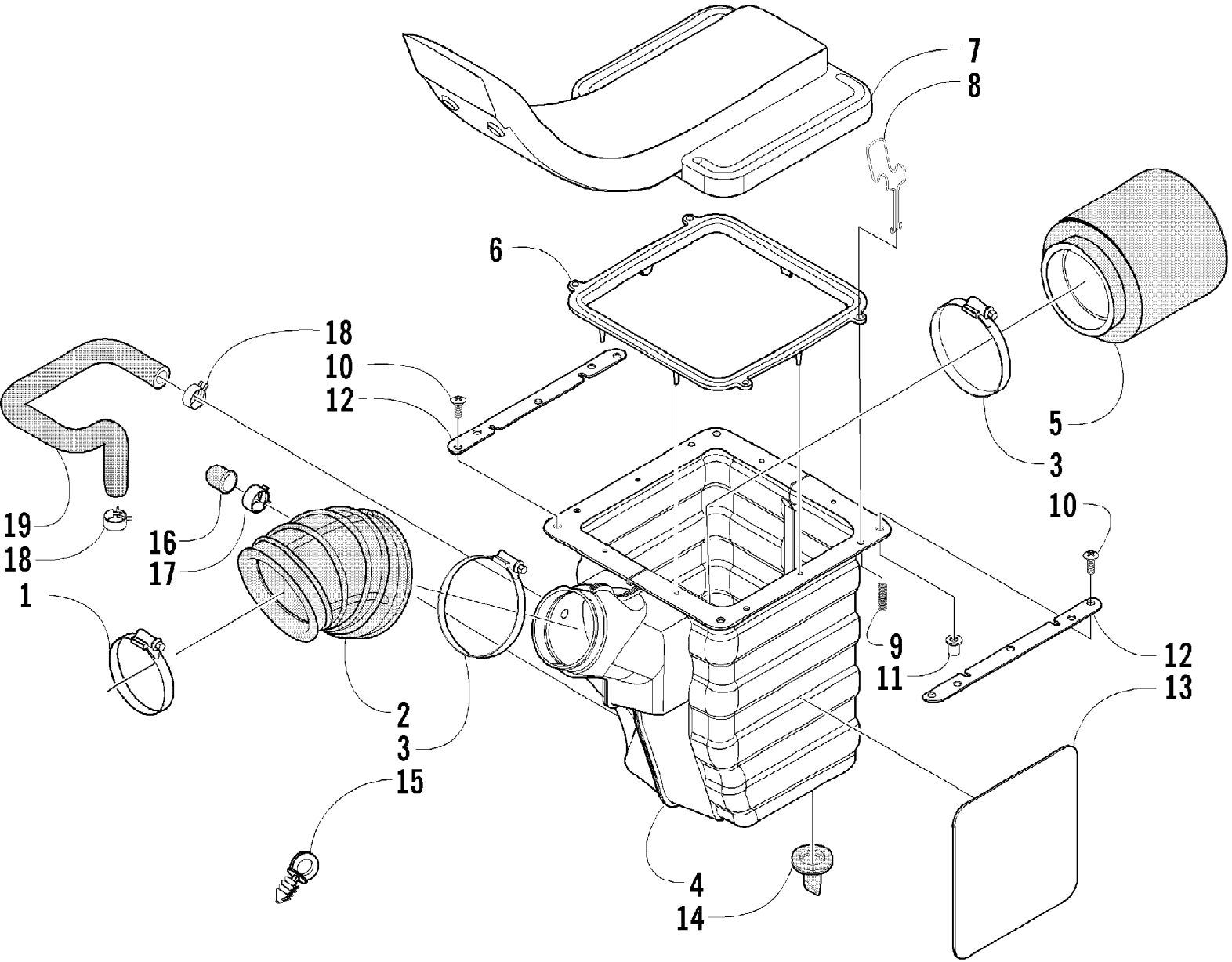


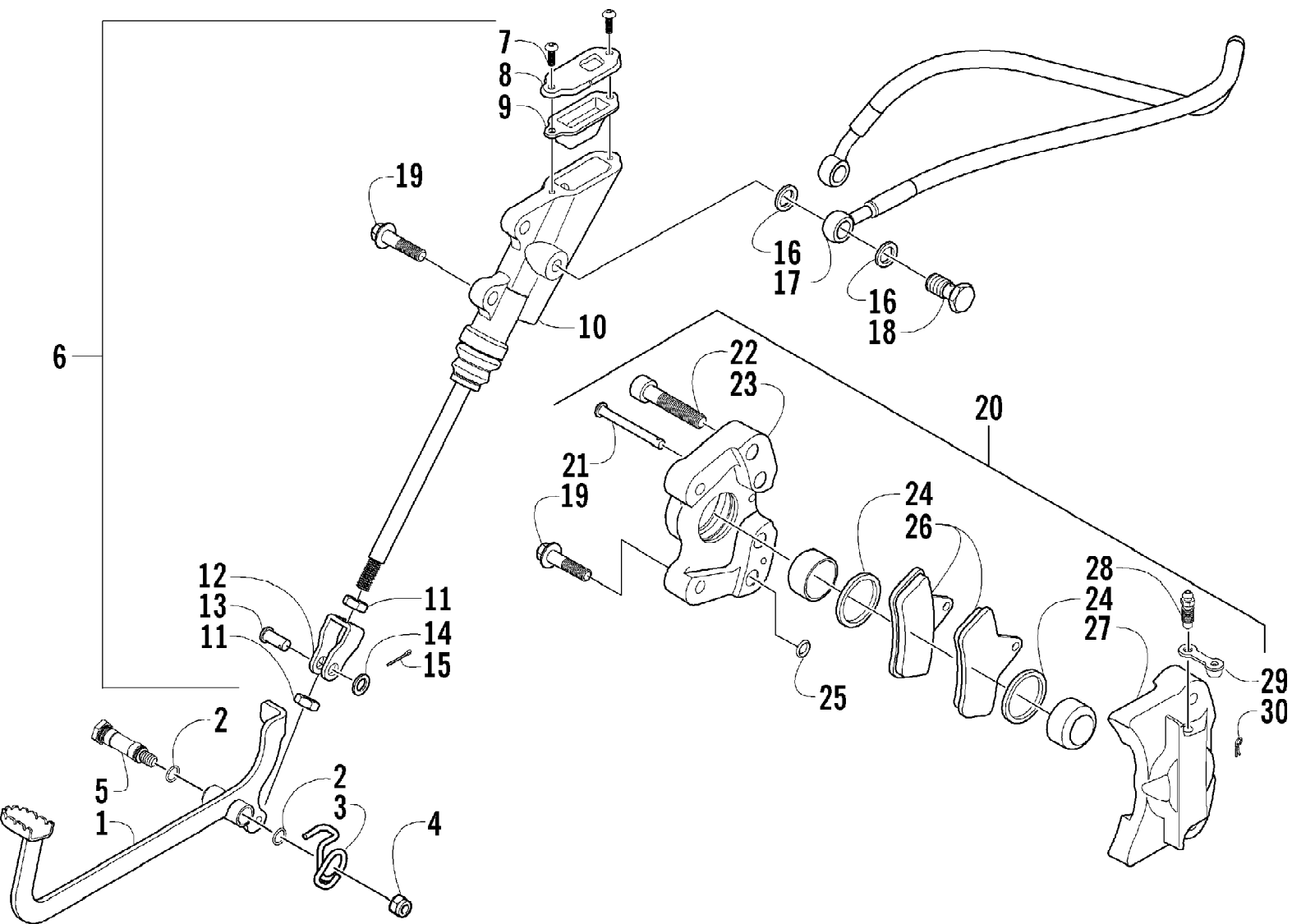
2004 ATV 400 MANUAL TRANSMISSION 4X4 FIS CAT GREEN MRP (A2004ISH) Page 5 of 97  
AIR INTAKE ASSEMBLY



2004 ATV 400 MANUAL TRANSMISSION 4X4 FIS CAT GREEN MRP (A2004ISH) Page 2 of 97  
 AIR INTAKE ASSEMBLY

Ref #	Part Number	Qty	S/P/F	Description
1	0423-379	1		Clamp
2	0470-467	1		Boot, Air Intake
3	0423-018	2		Clamp
4	0470-446	1	/P	Housing, Air Intake
5	0470-391	1	/P	Filter, Air
6	0470-343	1		Gasket
7	0470-383	1	/P	Snorkel
8	0470-307	4		Clamp
9	0423-037	4		Spring
10	0623-121	4		Screw, Machine
11	0123-010	4	/P	Nut, Expansion
12	0470-351	2		Support, Air Intake Flange
13	0412-141	1		Shield, Heat
14	0470-442	1	/P	Valve, Drain
15	0623-101	1		Clip, Retaining
16	1673-272	1	/P	Cap, Drain Tube
17	0423-047	1		Clamp, Hose
18	0423-045	2		Clamp, Hose
19	0410-045	1		Hose, Crankcase Vent

2004 ATV 400 MANUAL TRANSMISSION 4X4 FIS CAT GREEN MRP (A2004ISH) of 97  
AUXILIARY BRAKE ASSEMBLY

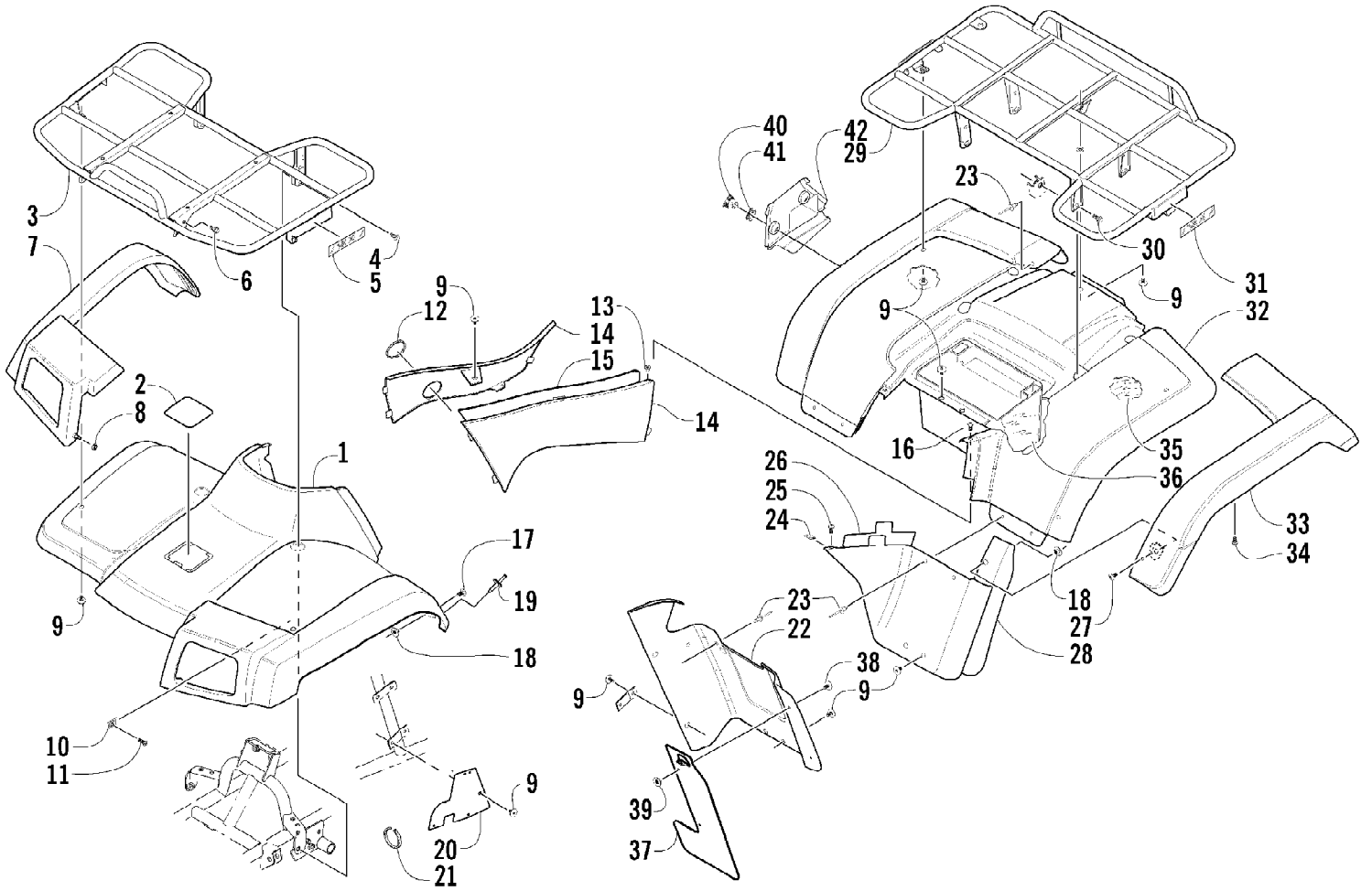


2004 ATV 400 MANUAL TRANSMISSION 4X4 FIS CAT GREEN MRP (A2004ISH) Page 3 of 97  
AUXILIARY BRAKE ASSEMBLY

Ref #	Part Number	Qty	S/P/F	Description
1	0502-449	1		Lever, Brake
2	1602-213	2	/P	O-Ring
3	0502-395	1	/P	Spring, Brake Lever
4	8422-002	1		Nut
5	0402-872	1		Axle, Brake Lever
6	0502-452	1	S	Brake Assembly (inc. 7-15)
7	0402-545	2		Screw, Machine
8	0402-588	1		Cover, Reservoir
9	0402-591	1		Bladder, Reservoir
10	0	1	F	Master Cylinder
11	0402-592	2		Nut, Jam
12	0402-580	1		Actuator, Push Rod
13	0402-575	1		Pin, Clevis
14	0402-583	1		Washer
15	0402-584	1		Pin, Cotter
16	0423-178	4		Washer, Crush
17	1402-200	1		Hose, Brake
18	0423-413	2		Bolt, Banjo Fitting
19	8408-825	4		Screw, Cap
20	0502-335	1	S	Caliper, Brake (inc. 21-30)
21	0402-495	1		Pin, Brake Caliper
22	0402-492	4		Screw, Cap
23	0	1	F	Housing, Caliper
24	0402-980	2		O-Ring, Brake Caliper
25	0402-490	1		O-Ring
26	0402-882	2	/P	Pad, Brake
27	0	1	F	Housing, Caliper
28	0402-491	1	S	Valve, Bleed
29	0402-493	1		Cap, Bleed Valve
30	0402-496	1	S	Clip, Hairpin

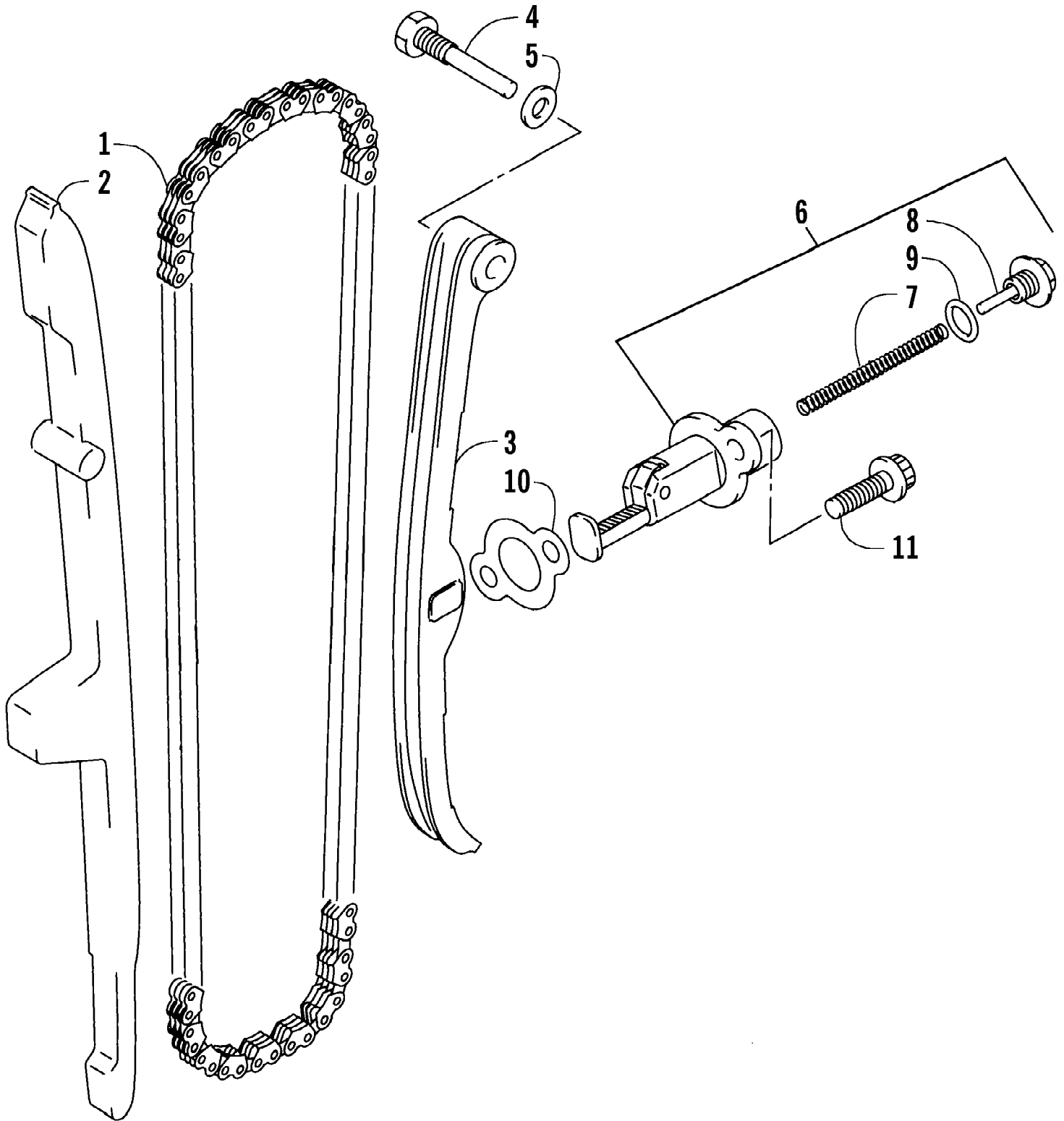


2004 ATV 400 MANUAL TRANSMISSION 4X4 FIS CAT GREEN MRP (A2004ISH) Page 5 of 97  
BODY PANEL ASSEMBLY



2004 ATV 400 MANUAL TRANSMISSION 4X4 FIS CAT GREEN MRP (A2004ISH) Page 5 of 97  
BODY PANEL ASSEMBLY

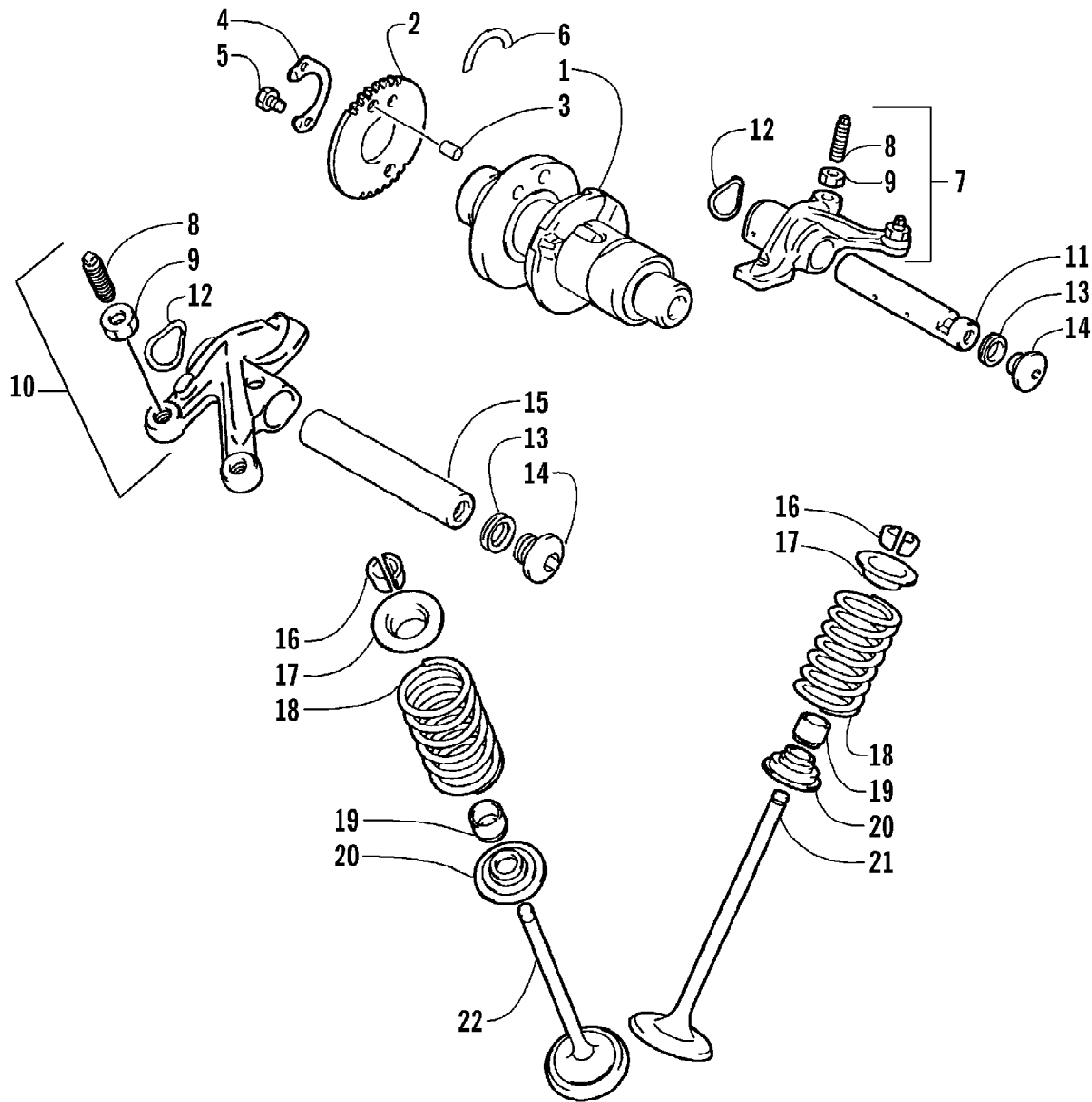
Ref #	Part Number	Qty	S/P/F	Description
1	0506-721	1		Panel, Fender - Front (inc. 2)
2	1406-041	1		Cover, Access
3	0	1	F	Rack - Front
4	8408-816	2		Screw, Cap
5	0411-646	2		Decal, Reflector - Amber
6	0423-360	2		Screw, Cap
7	1506-158	1		Flare - Front - Right
7	1506-159	1		Flare - Front - Left
8	0423-357	2		Nut, Stamped
9	0423-101	AR		Screw, Body
10	0423-031	2		Nut, Speed
11	8477-616	2		Screw, Machine
12	0470-404	1		Grommet, Fuel Shut-Off Valve
13	0123-010	2	/P	Nut, Expansion
14	0506-722	1		Panel, Side - Right
14	0506-723	1		Panel, Side - Left
15	0412-142	1		Shield, Heat
16	0423-068	2		Screw, Machine
17	0423-356	2		Screw, Shoulder
18	0423-438	4		T-Nut w/Teeth
19	0623-362	2		Rivet, Reinstallable
20	1406-481	2		Panel, Fender - Inner
21	0123-788	AR	/P	Cable Tie - 7.5 in.
22	1506-221	1	S	Panel, Kick - Right
22	1506-193	1		Panel, Kick - Left
23	0423-046	AR		Rivet, Plastic
24	0423-060	2		Clip, Tinerman
25	0623-309	2		Screw, Self-Tapping
26	0412-140	1		Shield, Heat
27	0423-355	2		Screw, Shoulder
28	1506-350	1		Fender Extension - Rear - Right
28	0406-085	1		Fender Extension - Rear - Left
29	0	1	F	Rack - Rear
30	8409-020	4	/P	Screw, Cap
31	0411-647	2		Decal, Reflector - Red
32	0506-724	1		Panel, Fender - Rear
33	0506-552	1		Flare, Rear - Right
33	0506-553	1		Flare, Rear - Left
34	0423-342	12	/P	Screw, Self-Tapping
35	0412-124	1		Shield, Heat
36	0412-147	1		Shield, Heat
37	1506-194	2		Extension, Flare
38	8477-610	4		Screw, Machine
39	0423-077	4	/P	T-Nut w/Teeth
40	1406-409	2		Key, Fuse Block Shield
41	1406-410	2	S	Spring, Fuse Block Shield
42	1406-408	1		Shield, Fuse Block



2004 ATV 400 MANUAL TRANSMISSION 4X4 FIS CAT GREEN MRP (A2004ISH) Page 5 of 97  
CAM CHAIN ASSEMBLY

Ref #	Part Number	Qty	S/P/F	Description
1	3402-281	1		Chain, Cam
2	3402-612	1		Guide, Cam Chain
3	3402-613	1		Tensioner, Cam Chain
4	3423-074	1		Bolt
5	3003-188	1	S/P	Washer
6	3402-614	1		Adjuster, Tensioner - Assembly (inc. 7-9)
7	3423-484	1		Spring
8	3423-485	1		Plug
9	3423-286	1		O-Ring
10	3402-287	1		Gasket, Adjuster
11	3004-576	2	S	Bolt

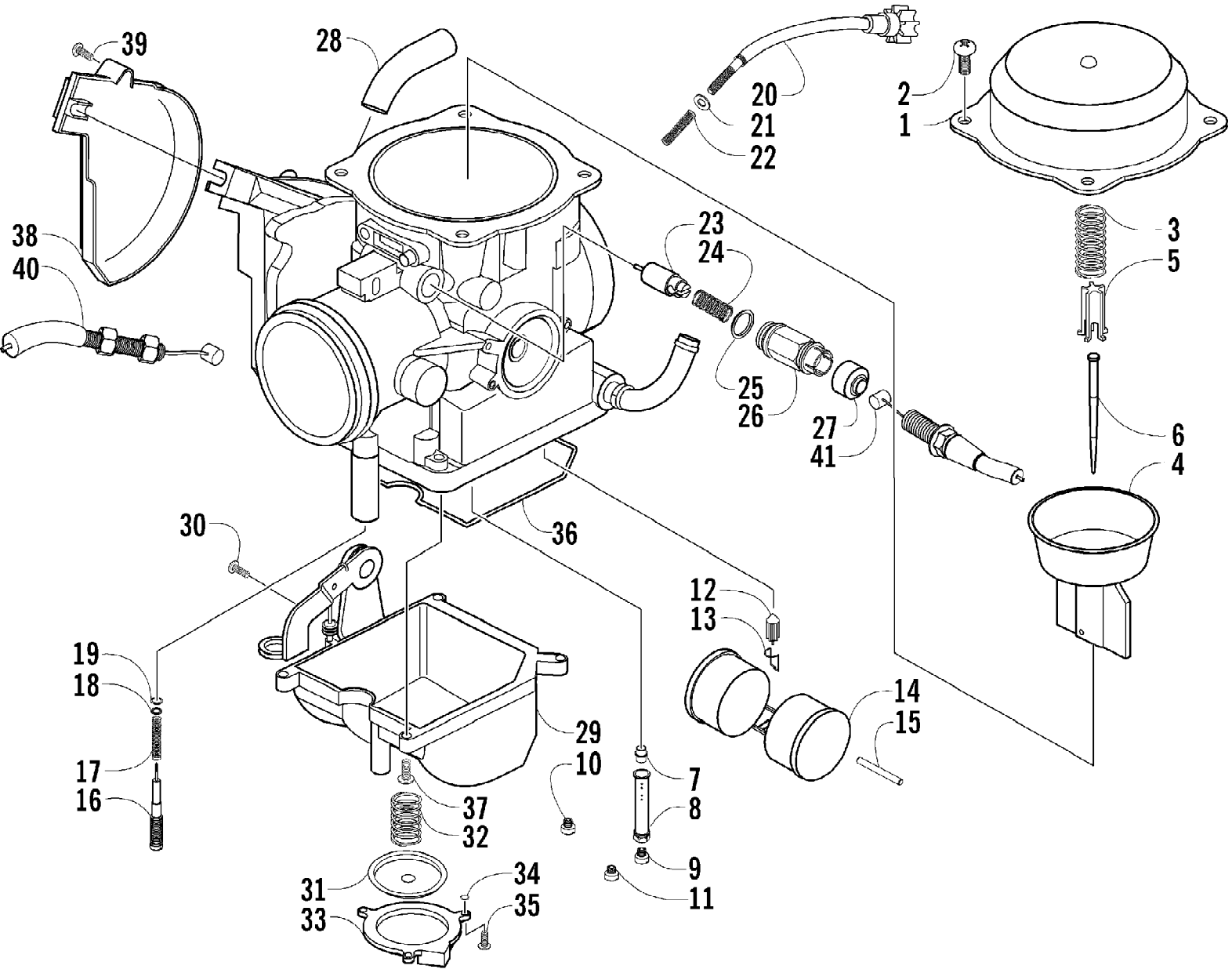
2004 ATV 400 MANUAL TRANSMISSION 4X4 FIS CAT GREEN MRP (A2004ISH) Page 5 of 97  
CAMSHAFT/VALVE ASSEMBLY



2004 ATV 400 MANUAL TRANSMISSION 4X4 FIS CAT GREEN MRP (A20041514) Page 13 of 97  
 CAMSHAFT/VALVE ASSEMBLY

Ref #	Part Number	Qty	S/P/F	Description
1	3402-831	1	S	Camshaft
2	3402-611	1		Sprocket
3	3423-047	1		Pin
4	3423-073	1		Washer
5	3423-013	2	S	Bolt
6	3423-071	1	/P	C-Ring
7	3402-532	1	S	Arm, Valve Rocker - Intake (inc. two No. 8-9)
8	3423-075	4		Screw
9	3423-076	4		Nut
10	3402-139	1		Arm, Valve Rocker - Exhaust (inc. two No. 8-9)
11	3402-140	1		Shaft, Rocker Arm
12	3423-031	2		Washer
13	3402-012	2		Gasket
14	3402-040	2	/P	Plug, Shaft
15	3402-141	1		Shaft, Rocker Arm
16	3402-147	8		Cotter, Valve
17	3402-146	4	S	Retainer, Spring
18	3402-726	4		Spring, Valve
19	3402-078	4		Seal, Oil
20	3402-148	4		Seat, Spring
21	3402-725	2	/P	Valve, Intake
22	3402-143	2		Valve, Exhaust

2004 ATV 400 MANUAL TRANSMISSION 4X4 FIS CAT GREEN MRP (A2004IS) Page 13 of 97  
CARBURETOR

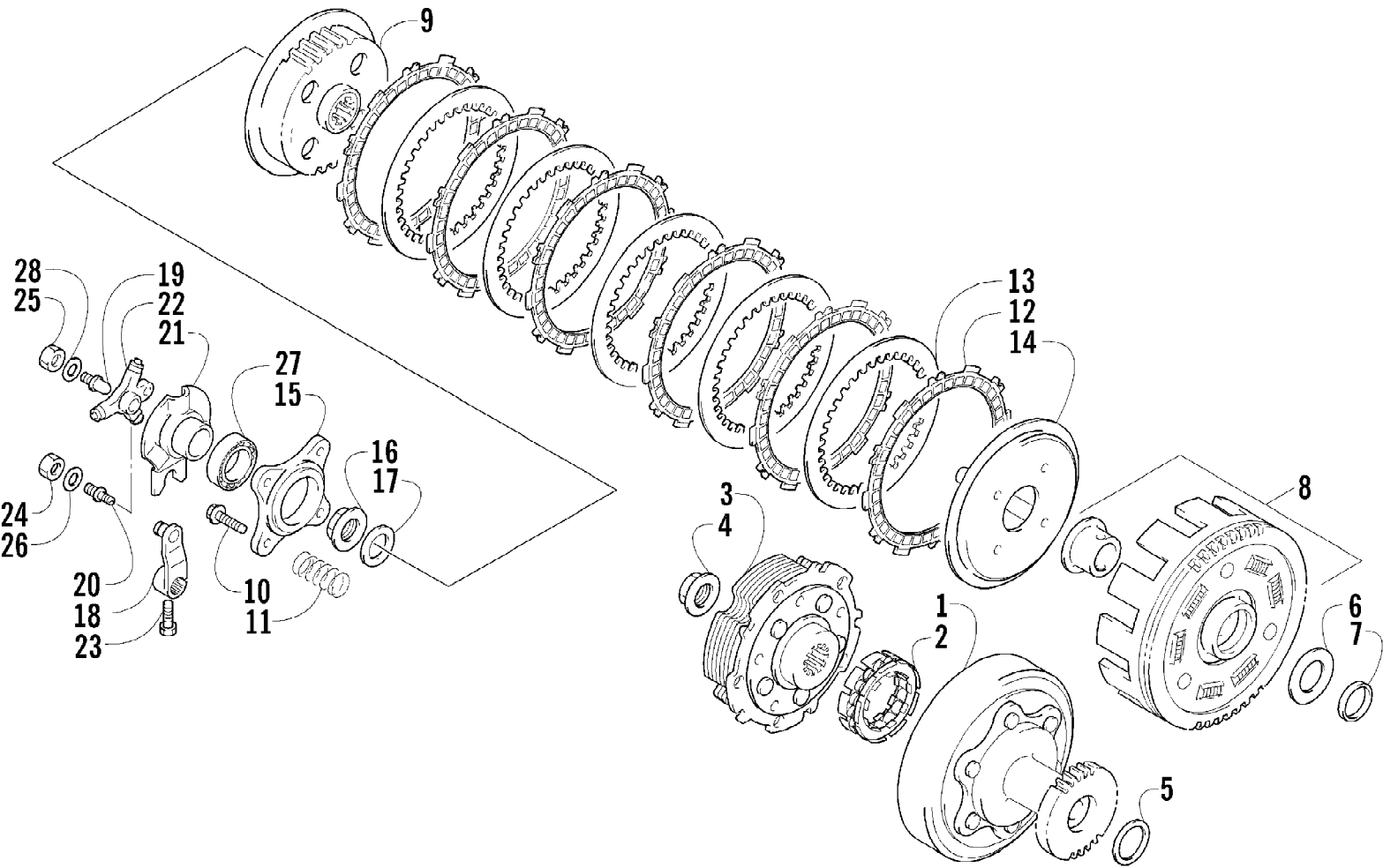


2004 ATV 400 MANUAL TRANSMISSION 4X4 FIS CAT GREEN MRP (A20041SP4012) of 97  
CARBURETOR

Ref #	Part Number	Qty	S/P/F	Description
	0470-504	1		Complete Carburetor Assembly
1	5507-001	1		Cover, Top
2	5507-002	4	/P	Screw, Top Cover
3	5507-085	1	S	Spring
4	5507-109	1	S	Piston, Vacuum
5	5507-005	1		Spring, Seat
6	5507-110	1		Jet Needle
7	5507-007	1		Needle Jet
8	5507-047	1	/P	Holder, Needle Jet
9	5507-043	1		Main Jet - 142
9	5507-009	1	/P/F	Main Jet - 150
9	5507-041	1	F	Main Jet - 147
9	5507-042	1	/P/F	Main Jet - 145
9	5507-044	1	F	Main Jet - 140
10	5507-010	1	S	Slow Jet
11	5507-097	1	/P	Starter Jet - 75
12	5507-107	1		Valve, Float - Set (inc. 13)
13	0	1	F	Clip
14	5507-039	1		Float Set (inc. 15)
15	0	1	F	Pin, Float
16	5507-111	1		Screw, Pilot Air - Set (inc. 17-19)
17	0	1	F	Spring
18	0	1	F	Washer
19	0	1	F	O-Ring
20	5507-027	1		Screw, Idle Adjust
21	5507-028	1		Washer
22	5507-029	1		Spring
23	5507-022	1		Valve, Starter
24	5507-023	1		Spring
25	5507-024	1		O-Ring
26	5507-025	1		Cap
27	5507-026	1		Cap, Rubber
28	0410-056	AR		Tube, Vent
29	5507-065	1		Chamber, Float - Assembly (inc. 30-36)
30	5507-050	1	/P	Screw, Drain
31	5507-031	1	S	Diaphragm Assembly
32	5507-032	1		Spring
33	0	1	F	Housing, Pump
34	5507-034	1		U-Ring
35	5507-035	3		Screw
36	5507-067	1	/P	O-Ring, Float Chamber
37	5507-089	4	S	Screw
38	5507-036	1		Cover
39	5507-037	1	/P	Screw
40	0487-021	1	S	Cable, Throttle
41	0487-016	1		Cable, Choke

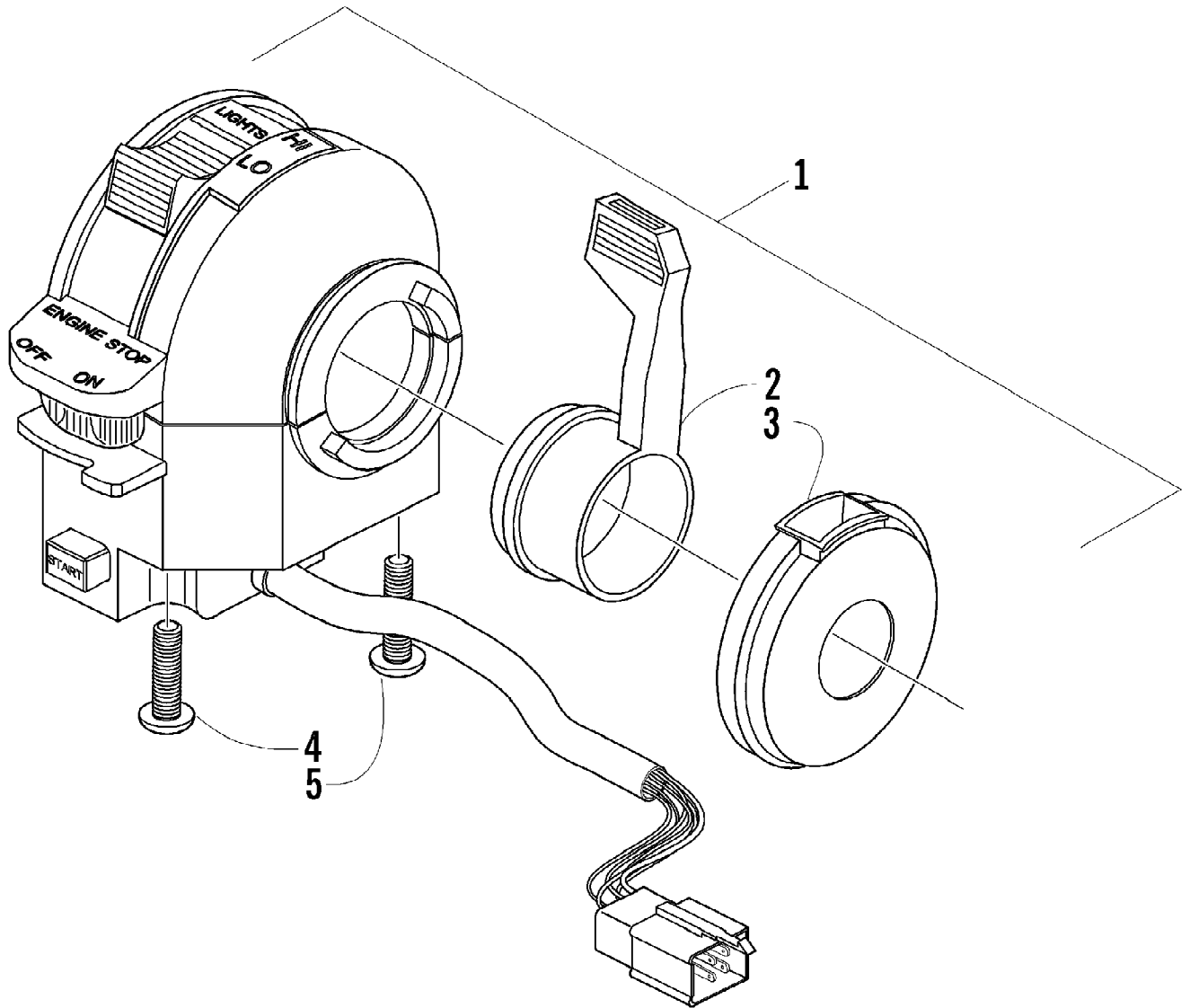


2004 ATV 400 MANUAL TRANSMISSION 4X4 FIS CAT GREEN MRP (A2004IS146US) of 97  
CLUTCH ASSEMBLY



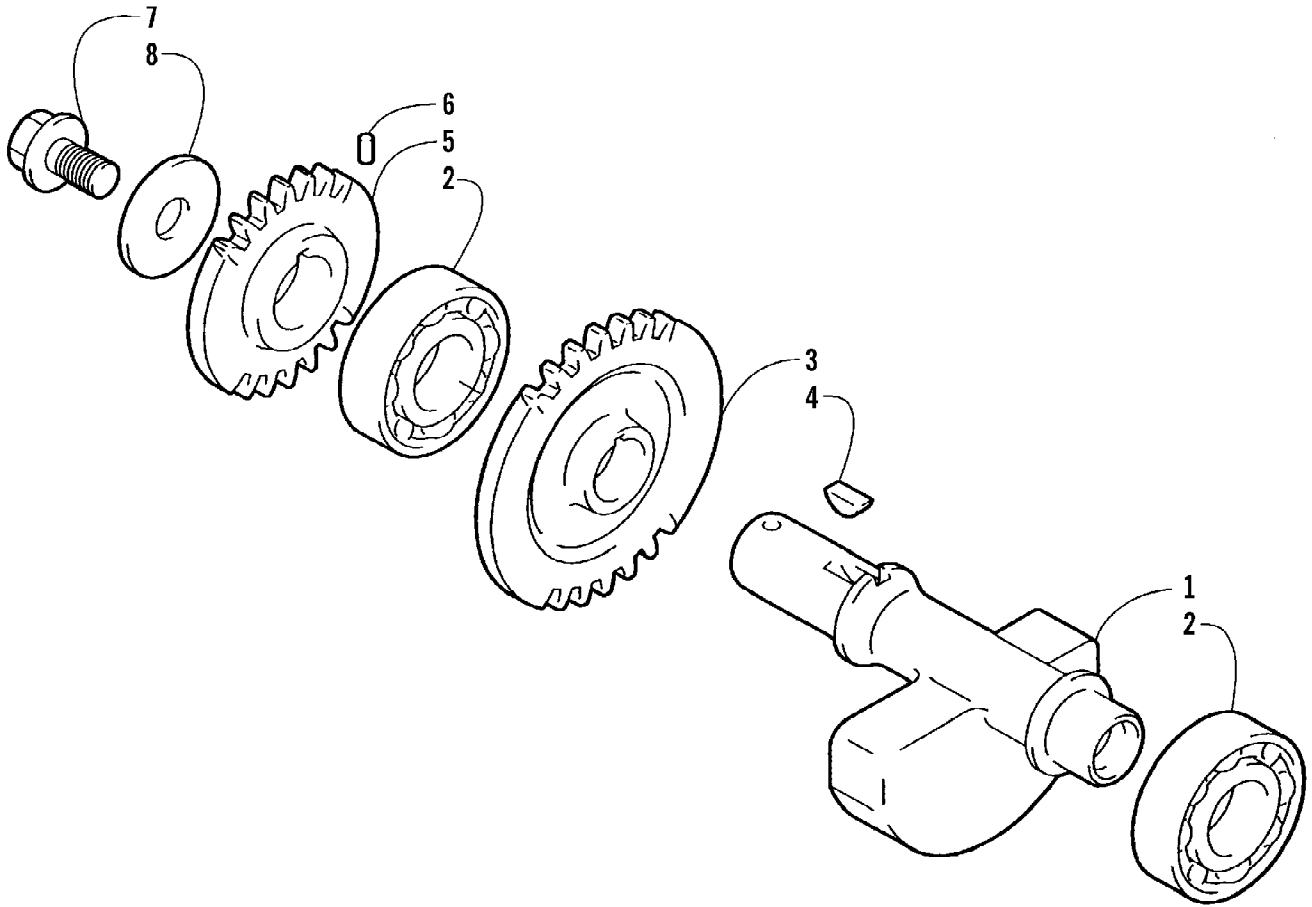
2004 ATV 400 MANUAL TRANSMISSION 4X4 FIS CAT GREEN MRP (A2004IS146US) of 97  
CLUTCH ASSEMBLY

Ref #	Part Number	Qty	S/P/F	Description
1	3446-001	1	S	Housing, Starter Clutch
2	3446-003	1		Clutch, Primary Drive One Way
3	3446-290	1		Shoe, Starter Clutch
4	3423-501	1		Nut, Starter Clutch Shoe
5	3423-209	1		Washer, Primary Driven
6	3423-515	1		Washer, Primary Driven
7	3423-516	1		Washer
8	3446-291	1		Gear, Primary Driven - Assembly
9	3446-004	1		Hub, Clutch Sleeve
10	3423-330	4		Screw, Cap - Clutch Spring
11	3423-517	4		Spring, Clutch
12	3446-006	6		Plate, Clutch Drive
13	3446-007	5		Plate, Clutch Driven
14	3446-008	1		Disc, Clutch Pressure
15	3446-009	1		Plate, Clutch Release
16	3423-080	1		Nut, Clutch Sleeve Hub
17	3423-032	1		Washer, Sleeve Hub
18	3446-292	1		Arm, Clutch Release
19	3423-361	1		Bolt, Clutch Release (No. 1)
20	3423-083	1		Bolt, Clutch Release (No. 2)
21	3446-293	1		Guide, Release Roller
22	3446-294	1		Roller, Clutch Release - Assembly
23	3423-125	1	S	Bolt, Clutch Release Arm
24	3008-014	1		Nut, Clutch Release (No. 2)
25	3423-359	1		Nut, Clutch Release (No. 1)
26	3423-027	1		Washer, Clutch Release (No. 2)
27	3402-186	1	/P	Bearing
28	3423-360	1		Washer, Clutch Release (No. 1)



2004 ATV 400 MANUAL TRANSMISSION 4X4 FIS CAT GREEN MRP (A20041SP4615) of 97  
 CONTROL SWITCH HOUSING ASSEMBLY

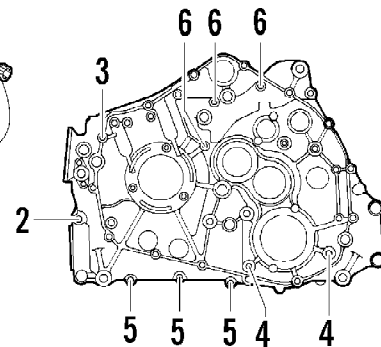
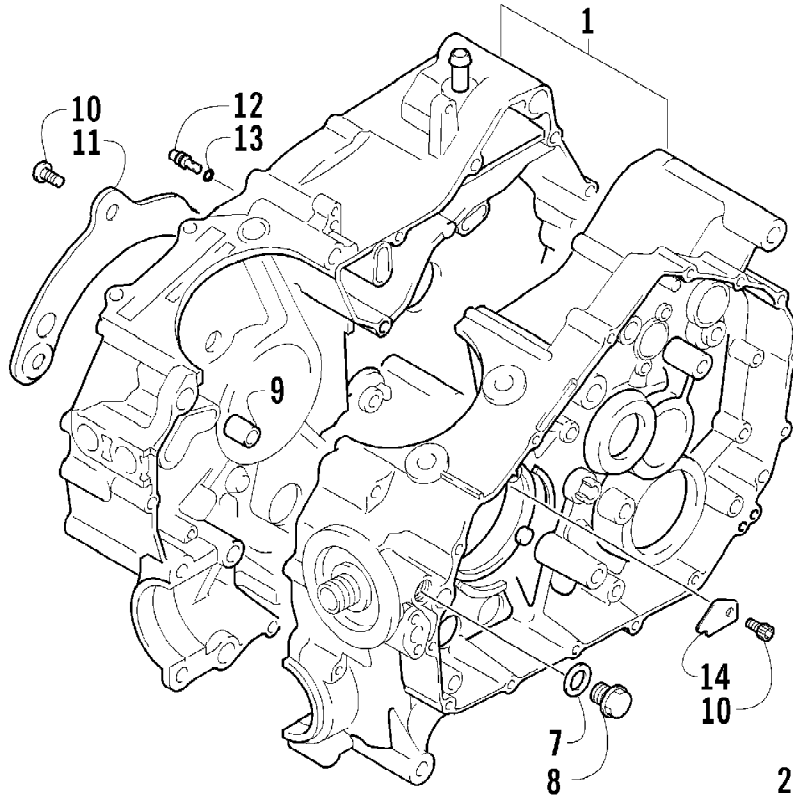
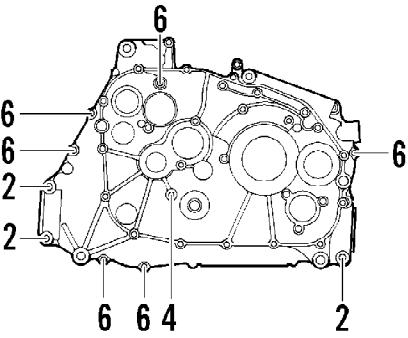
Ref #	Part Number	Qty	S/P/F	Description
1	3509-001	1	S	Switch, Control - Assembly (inc. 2-5)
2	3409-009	1		Lever, Choke
3	3409-010	1		Cover, Choke Lever
4	3423-196	1		Screw, Cap
5	3423-197	1		Screw, Cap



2004 ATV 400 MANUAL TRANSMISSION 4X4 FIS CAT GREEN MRP (A2004IS146US) of 97  
 CRANK BALANCER ASSEMBLY

Ref #	Part Number	Qty	S/P/F	Description
1	3402-605	1		Balancer, Crank
2	3402-553	2	/P	Bearing
3	3402-772	1		Gear, Driven - No. 1
4	3004-540	1	/P	Key
5	3402-617	1		Gear, Oil Pump Drive
6	3423-110	1		Pin, Drive Gear
7	3423-400	1		Bolt, Drive Gear
8	3423-401	1		Washer, Drive Gear

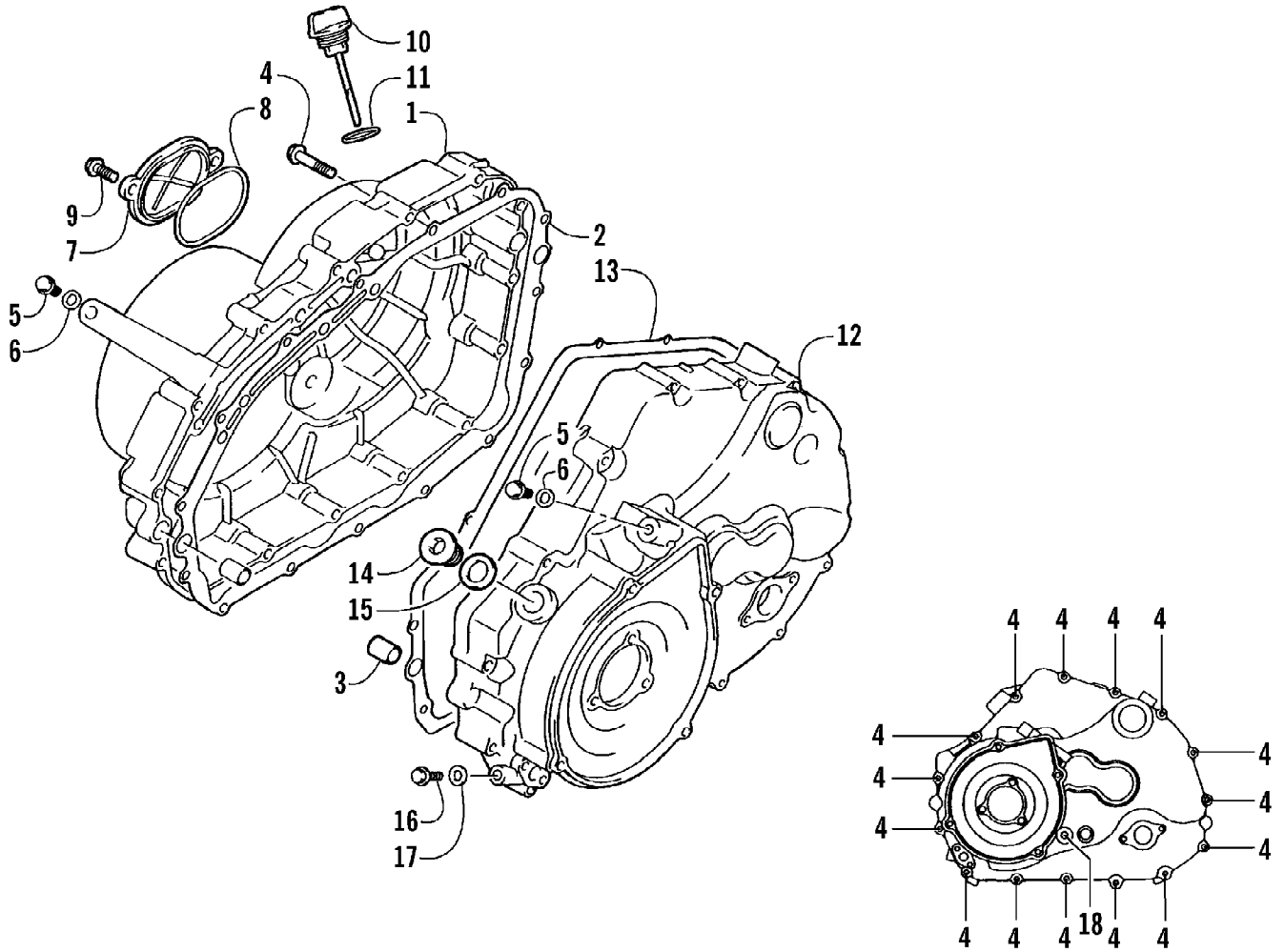
2004 ATV 400 MANUAL TRANSMISSION 4X4 FIS CAT GREEN MRP (A2004IS146) of 97  
CRANKCASE ASSEMBLY



2004 ATV 400 MANUAL TRANSMISSION 4X4 FIS CAT GREEN MRP (A2004IS14625) Page 25 of 97  
 CRANKCASE ASSEMBLY

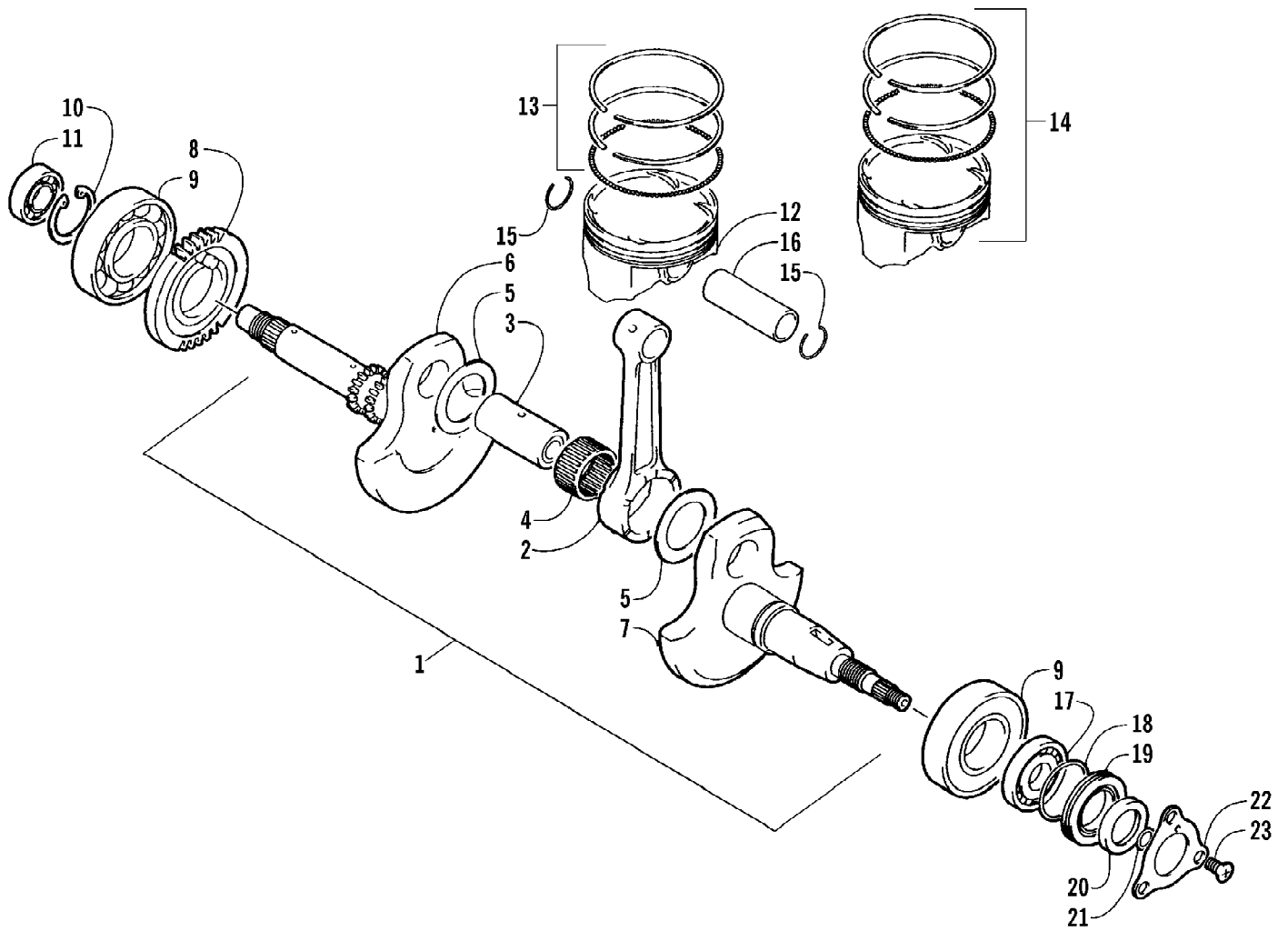
Ref #	Part Number	Qty	S/P/F	Description
1	3402-763	1		Crankcase Assembly (inc. 2-9)
2	3004-880	4		Bolt
3	3005-332	1		Bolt
4	3005-410	3		Bolt
5	3423-097	3		Bolt
6	3423-091	9	S	Bolt
7	3402-012	1		Gasket, Oil Pressure Plug
8	3402-214	1		Plug, Oil Pressure
9	3423-088	2		Pin, Dowel
10	3004-552	4	S	Screw, Oil Guide Plate - Right
11	3402-764	1		Plate, Oil Guide - Right
12	3402-691	1		Jet, Oil Gallery
13	3423-051	1		O-Ring, Oil Gallery Jet
14	3402-582	1		Plate, Oil Guide - Left





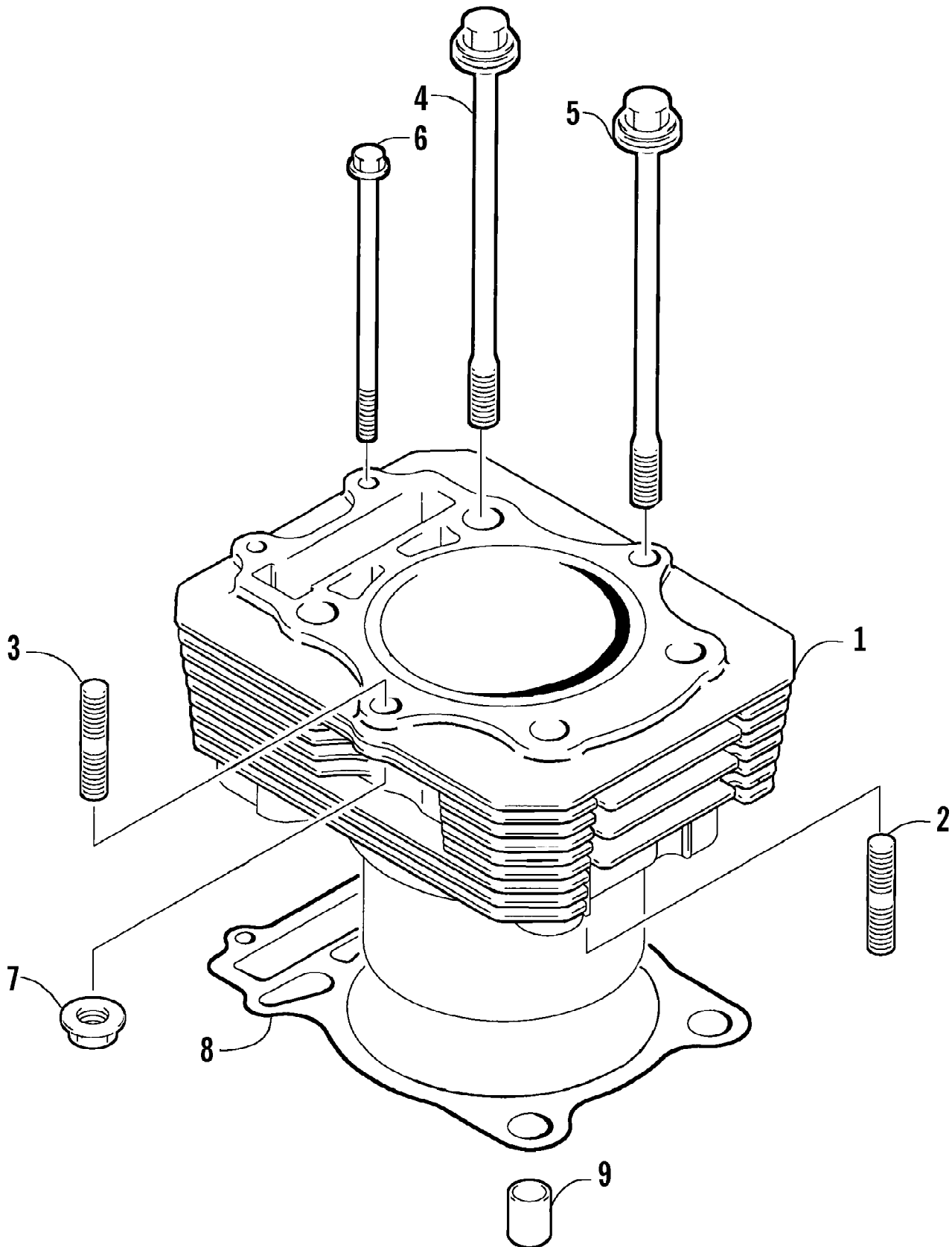
2004 ATV 400 MANUAL TRANSMISSION 4X4 FIS CAT GREEN MRP (A2004IS14612) Page 23 of 97  
CRANKCASE COVER ASSEMBLY

Ref #	Part Number	Qty	S/P/F	Description
1	3402-765	1		Cover, Clutch
2	3402-766	1		Gasket
3	3423-088	4		Pin, Dowel
4	3423-098	30	S	Bolt
5	3004-338	2	S/P	Plug, Oil Gallery
6	3003-290	2	/P	Gasket
7	3402-100	1		Cap, Inspection
8	3402-101	1		O-Ring, Inspection Cap
9	3004-341	2	S/P	Bolt, Inspection Cap
10	3402-593	1		Stick, Oil Level
11	3423-055	1		O-Ring, Oil Level Stick
12	3402-767	1		Cover, Magneto
13	3402-768	1		Gasket, Magneto Cover
14	3423-180	1	S	Plug
15	3402-013	1	/P	Gasket
16	3004-705	1	S	Plug, Drain
17	3402-444	1		Gasket, Drain Plug
18	3423-430	1		Bolt



2004 ATV 400 MANUAL TRANSMISSION 4X4 FIS CAT GREEN MRP (A2004IS14623) Page 23 of 97  
CRANKSHAFT ASSEMBLY

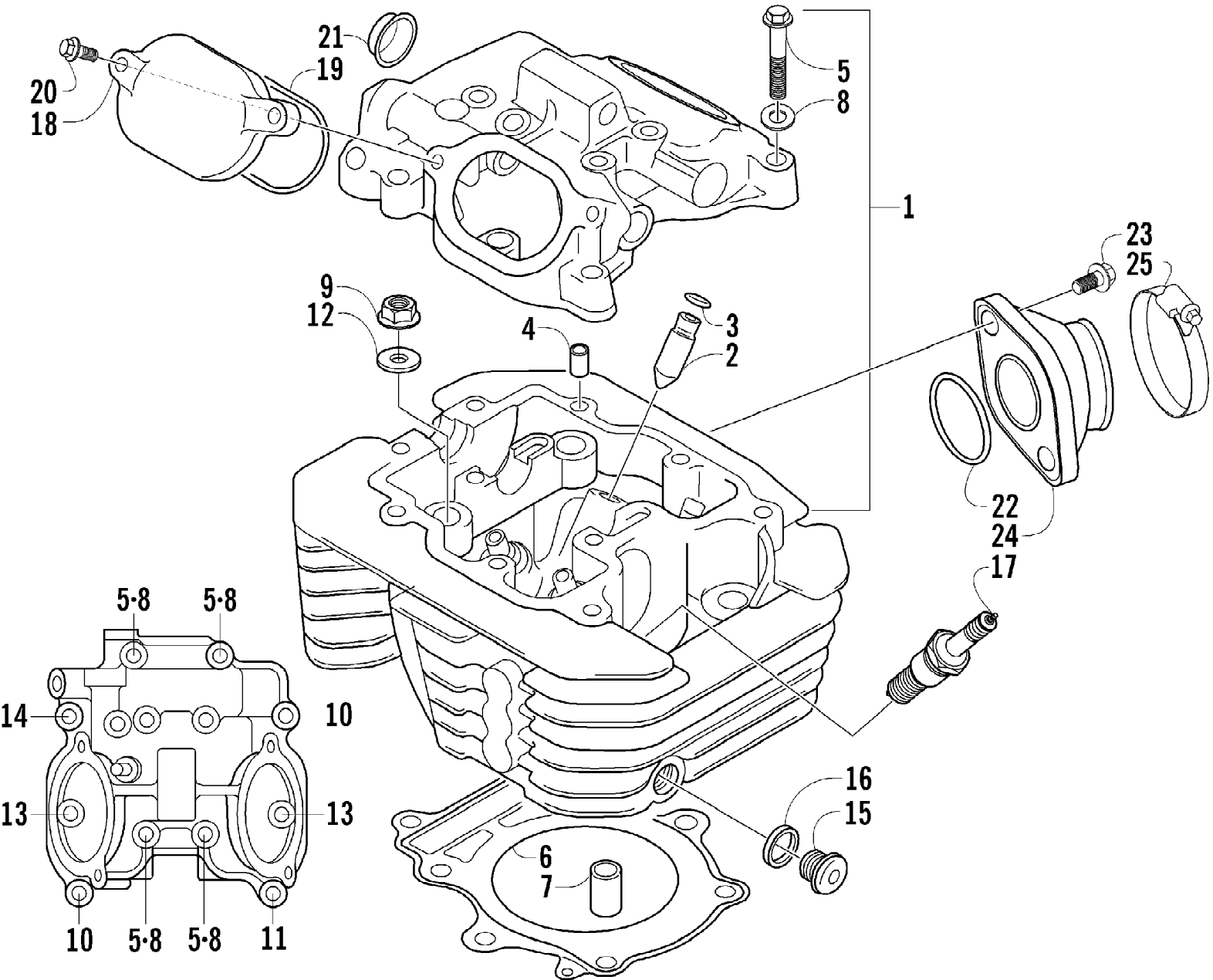
Ref #	Part Number	Qty	S/P/F	Description
1	3402-716	1	S	Crankshaft Assembly (inc. 2-7)
2	3402-597	1		Rod, Connecting
3	3402-769	1		Pin, Crank
4	3402-571	1		Bearing
5	3423-440	2		Washer
6	3402-718	1	S	Crankshaft - Right
7	3402-770	1	S	Crankshaft - Left
8	3402-698	1	/P	Gear, Crank Balancer Drive
9	3402-180	2	S	Bearing - Middle
10	3402-771	1		Circlip
11	3402-216	1		Bearing - Right
12	3402-594	1		Piston
13	3402-595	1		Ring, Piston - Set
14	3436-015	1	F	Piston Set (Oversized 0.50 mm)
15	3003-439	2	/P	Circlip
16	3402-596	1		Pin, Piston
17	3402-051	1		Bearing
18	3423-063	1		O-Ring
19	3402-119	1	S	Spacer
20	3402-070	1		Seal, Oil
21	3423-053	1	/P	O-Ring
22	3402-188	1	/P	Retainer, Crankshaft Oil Seal - Left
23	3423-018	3		Screw, Retainer



2004 ATV 400 MANUAL TRANSMISSION 4X4 FIS CAT GREEN MRP (A2004IS14625) Page 25 of 97  
CYLINDER ASSEMBLY

Ref #	Part Number	Qty	S/P/F	Description
1	3402-578	1	S	Cylinder
2	3423-384	2	S	Bolt, Stud
3	3004-778	2	S	Bolt, Stud
4	3423-431	2		Bolt
5	3423-432	2		Bolt
6	3423-427	2		Bolt
7	3004-488	2	S/P	Nut
8	3402-579	1		Gasket, Cylinder
9	3423-088	2		Pin, Dowel

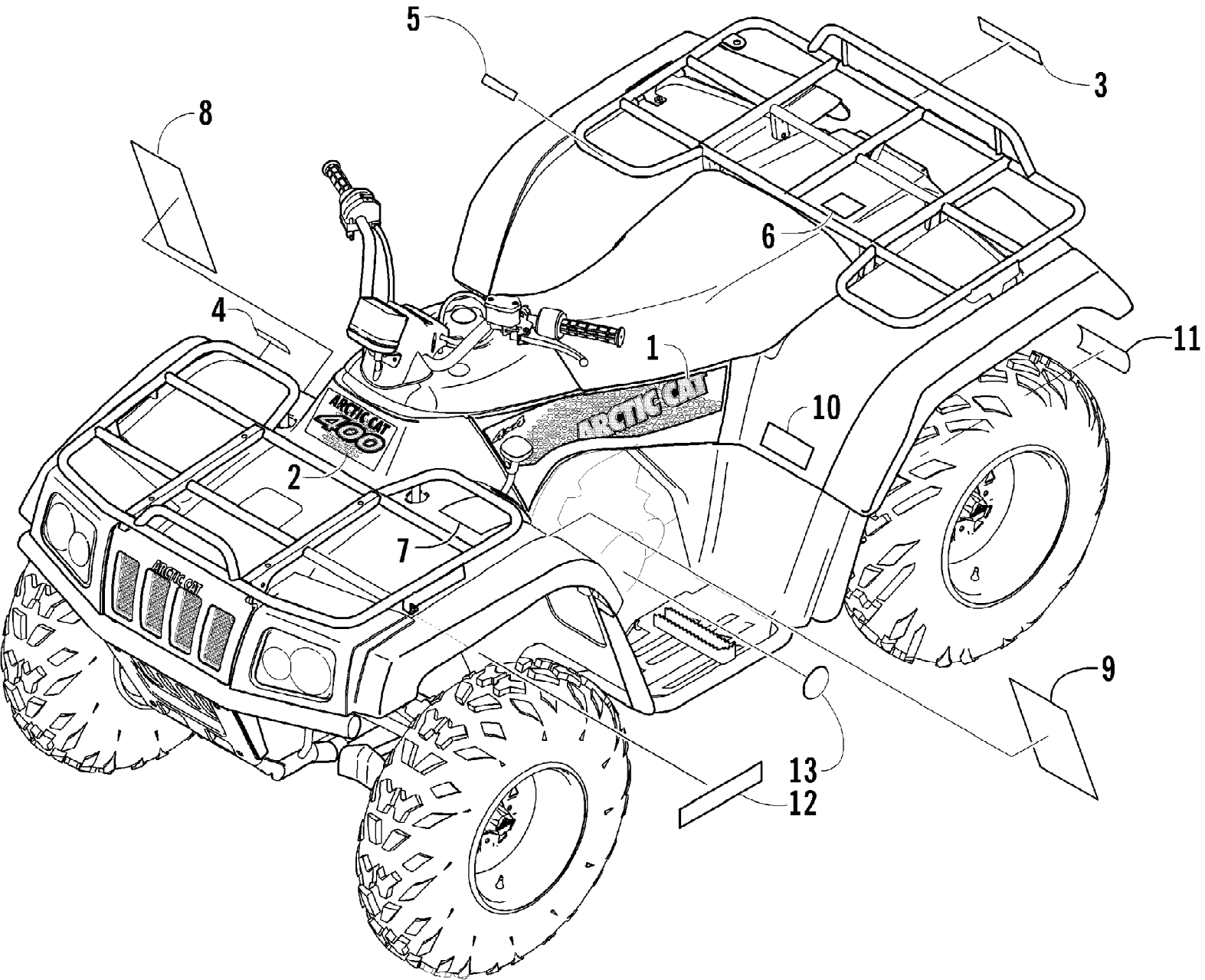
2004 ATV 400 MANUAL TRANSMISSION 4X4 FIS CAT GREEN MRP (A2004IS) Page 25 of 97  
CYLINDER HEAD ASSEMBLY



2004 ATV 400 MANUAL TRANSMISSION 4X4 FIS CAT GREEN MRP (A2004IS14625) Page 25 of 97  
 CYLINDER HEAD ASSEMBLY

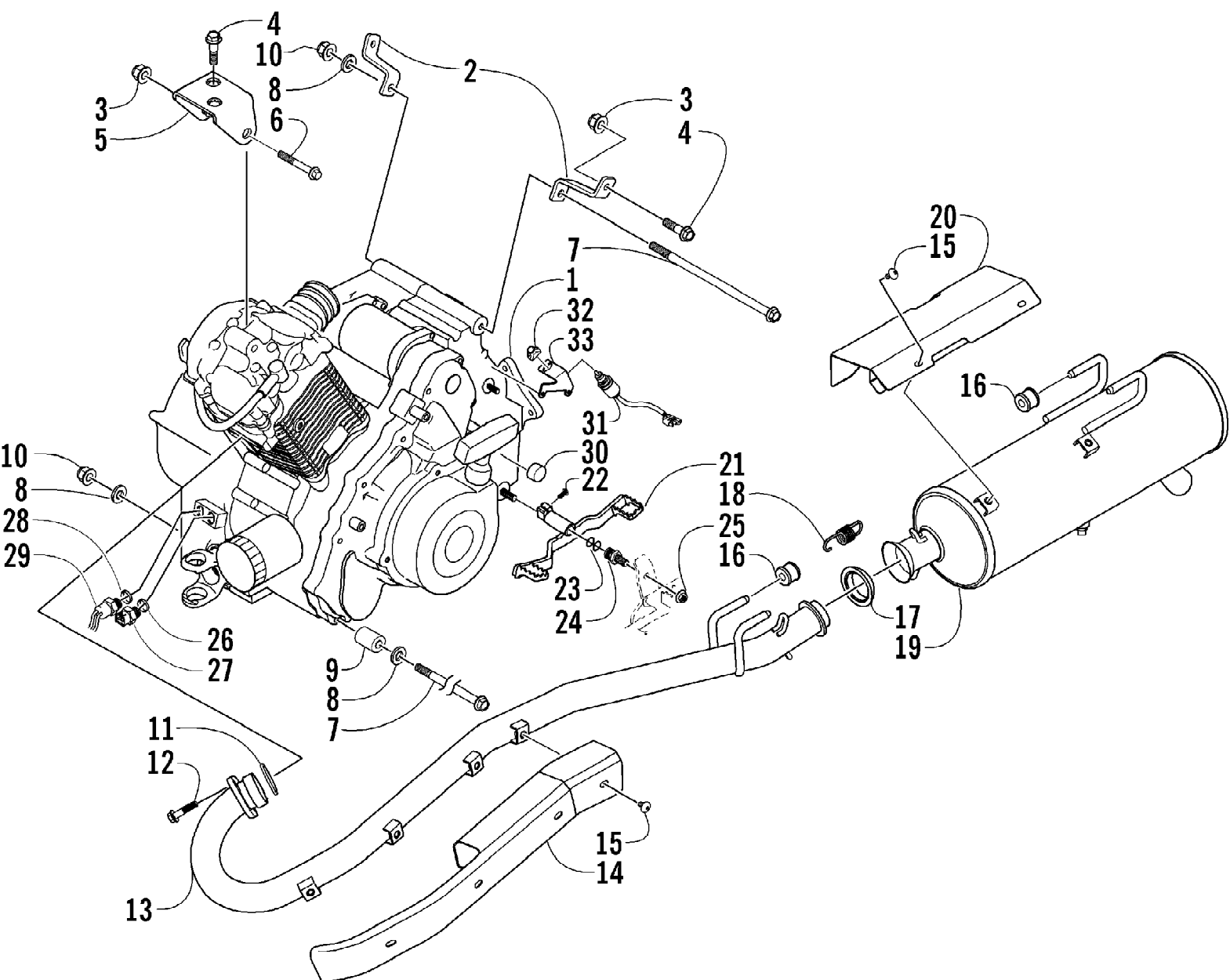
Ref #	Part Number	Qty	S/P/F	Description
1	3402-576	1	S	Head, Cylinder - Assembly (inc. 2-5)
2	3402-099	2		Guide, Valve
3	3423-068	4		Ring, Valve Guide
4	3423-043	2	/P	Pin, Dowel
5	3423-006	4		Bolt
6	3402-577	1		Gasket, Cylinder Head
7	3423-449	2		Pin, Dowel
8	3003-290	4	/P	Gasket
9	3004-326	2	S/P	Nut, Cylinder Head
10	3423-007	2	S	Bolt, Head Cover
11	3423-429	1		Bolt, Head Cover
12	3423-439	4	S	Washer, Cylinder Head Nut
13	3004-376	2	S/P	Bolt, Head Cover
14	3008-376	1	S	Bolt, Head Cover
15	3423-453	1		Plug, Oil Gallery
16	3402-011	1		Gasket, Oil Gallery Plug
17	0217-708	1		Spark Plug (NGK CR7E)
18	3402-100	2		Cap, Inspection
19	3402-101	2		O-Ring
20	3004-341	4	S/P	Bolt, Inspection Cap
21	3402-035	1		Plug, Head
22	3423-353	1	/P	O-Ring
23	8476-620	2		Screw, Machine
24	0570-076	1		Manifold, Intake
25	0423-317	1	/P	Clamp
	3402-048	1		Plug, Frost





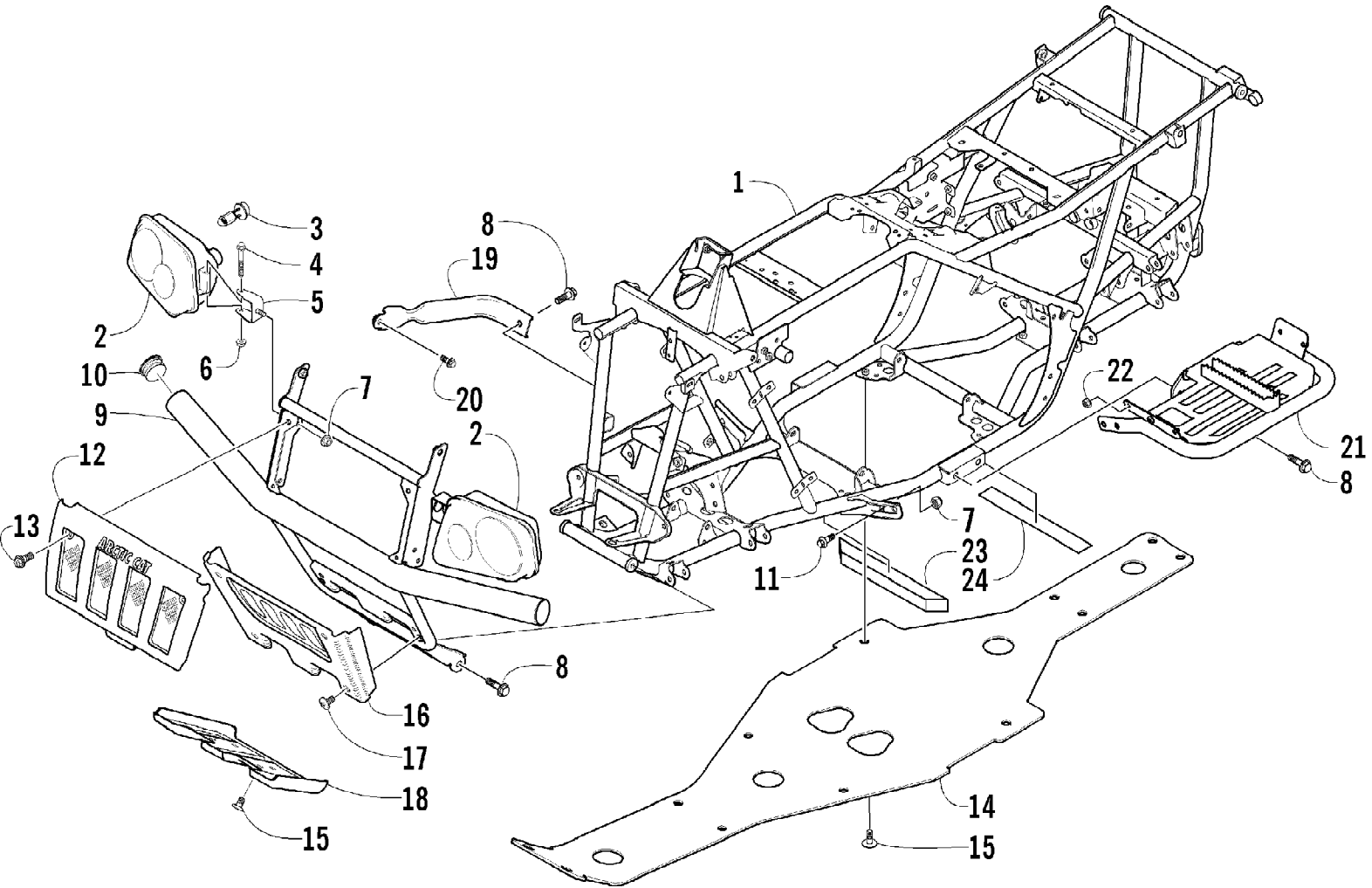
Ref #	Part Number	Qty	S/P/F	Description
1	0411-638	1		Decal, Side - Right
1	0411-639	1		Decal, Side - Left
2	0411-621	1		Decal, Front
3	0411-501	1		Decal, "Arctic Cat"
4	0411-576	1		Decal, Warning - Front Rack Load
5	0411-648	1		Decal, Warning - Rear Rack Load
6	0411-435	1		Decal, Passenger
7	0411-401	1		Decal, Warning - Age
8	0411-008	1	/P	Decal, Warning - Reverse/Pre-Ride
9	0411-218	1		Decal, Warning - General
10	0411-430	1		Decal, Warning - Tire Pressure
11	0411-267	1		Decal, Warning - Towing
12	0411-612	1		Decal, CA Emissions
13	0411-003	1		Decal, Shift Pattern

2004 ATV 400 MANUAL TRANSMISSION 4X4 FIS CAT GREEN MRP (A2004IS140US) of 97  
ENGINE AND EXHAUST



Ref #	Part Number	Qty	S/P/F	Description
1	0462-025	1	S	Engine
2	1506-201	1		Bracket, Engine - Right
2	1506-202	1		Bracket, Engine - Left
3	8424-802	3		Nut
4	8408-816	4		Screw, Cap
5	0506-892	1	/P	Bracket, Engine - Upper
6	8408-860	1		Screw, Cap
7	0423-405	3		Screw, Cap
8	0423-426	3		Washer
9	0423-042	2	S	Spacer
10	8428-002	3		Nut, Lock
11	0412-007	1	/P	Seal, Exhaust
12	8408-820	4	/P	Screw, Cap
13	0512-137	1	S	Pipe, Exhaust
14	0412-220	1		Cover, Exhaust
15	8477-610	8		Screw, Machine
16	0412-215	4	S	Bushing, Exhaust
17	0612-188	1	/P	Gasket, Exhaust
18	0612-668	2	/P	Spring, Exhaust
19	0512-139	1		Muffler
20	0412-218	1		Cover, Muffler
21	0502-354	1		Lever, Shift
22	8476-620	1		Screw, Machine
23	1602-213	2	/P	O-Ring
24	0402-994	1		Pin, Shift Lever
25	8422-002	1		Nut, Lock
26	3402-556	1	/P	Gasket
27	3530-037	1	/P	Switch, Oil Light
28	3402-013	1	/P	Gasket
29	3430-033	1		Switch, Cooling Fan
30	0402-160	1		Cap, Speedometer Drive
31	0409-008	1		Switch, Reverse
32	0402-991	1		Retainer, Reverse Switch
33	1506-371	1		Bracket, Mounting - Reverse Switch

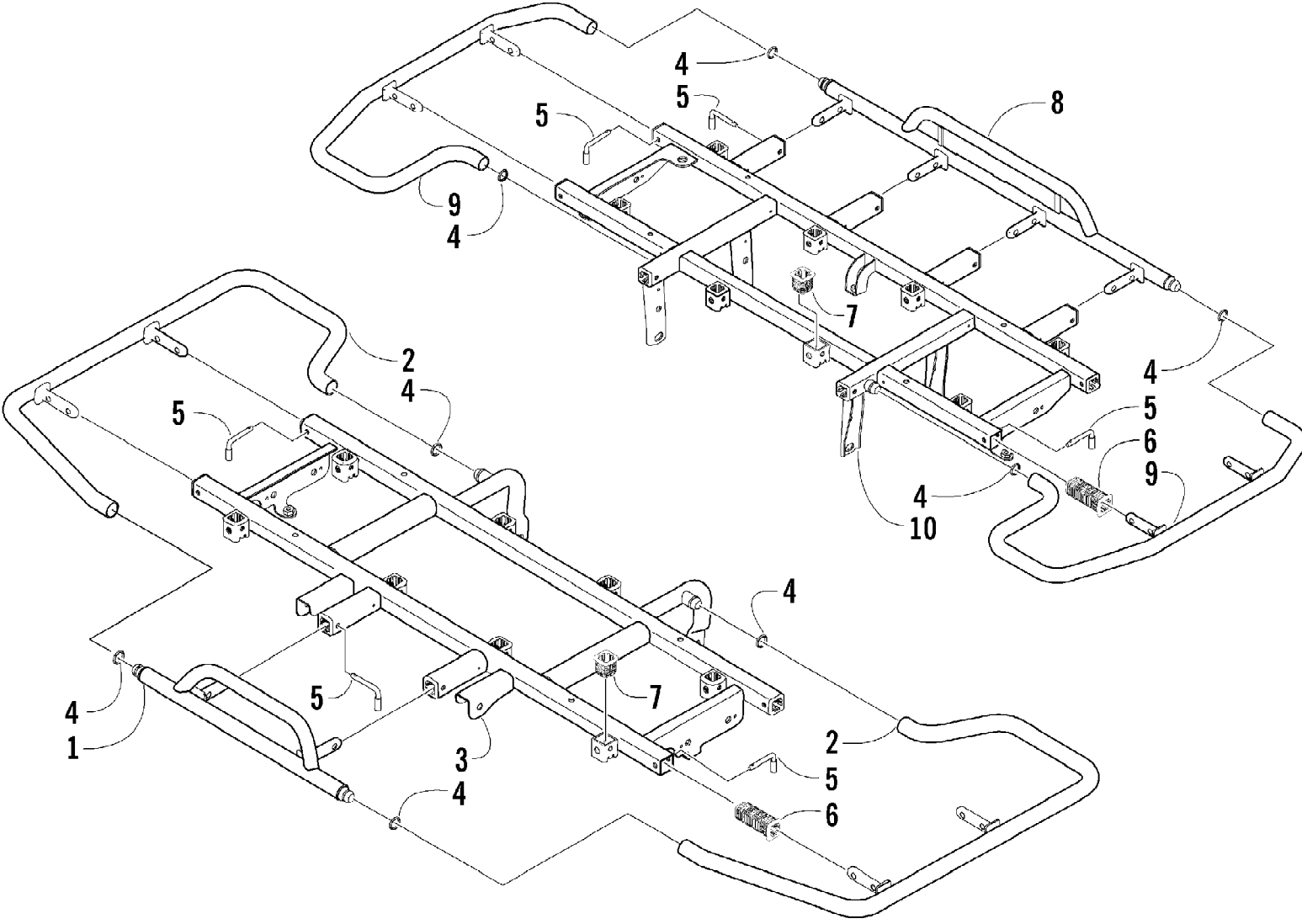
2004 ATV 400 MANUAL TRANSMISSION 4X4 FIS CAT GREEN MRP (A2004IS146US) of 97  
FRAME AND RELATED PARTS



2004 ATV 400 MANUAL TRANSMISSION 4X4 FIS CAT GREEN MRP (A2004IS1445) Page 33 of 97  
FRAME AND RELATED PARTS

Ref #	Part Number	Qty	S/P/F	Description
1	1506-113	1		Frame, Main
1	1506-282	1	S	Frame, Main (VIN Ending in 225000 and Up)
2	0409-032	1		Headlight Assembly - Right (inc. 3-6)
2	0409-031	1		Headlight Assembly - Left (inc. 3-6)
3	0409-045	2		Bulb, Headlight
4	8410-860	2		Screw, Cap
5	0406-945	2		Bracket, Headlight Mounting
6	0423-375	2		Nut, Lock
7	8424-802	6		Nut
8	8409-020	8	/P	Screw, Cap
9	0506-544	1		Bumper
10	0406-130	2		Cap, Bumper
11	8408-816	4		Screw, Cap
12	0406-832	1		Grille, Upper
13	0423-361	2		Screw, Machine
14	1406-030	1		Panel, Belly
15	0423-101	AR		Screw, Shoulder
16	1406-420	1	/P	Grille, Bumper - Lower
17	0423-362	4		Screw, Machine
18	0406-834	1		Plate, Skid
19	0506-653	2	S	Channel, Bumper Mounting
20	8408-812	2		Screw, Cap
21	0506-534	1		Footrest - Right
21	0506-827	1		Footrest - Left
22	8424-602	2	/P	Nut
23	1506-067	1		Pad, Foam
24	0406-289	1		Pad, Foam

2004 ATV 400 MANUAL TRANSMISSION 4X4 FIS CAT GREEN MRP (A2004IS140LS) of 97  
FRONT AND REAR RACK ASSEMBLIES

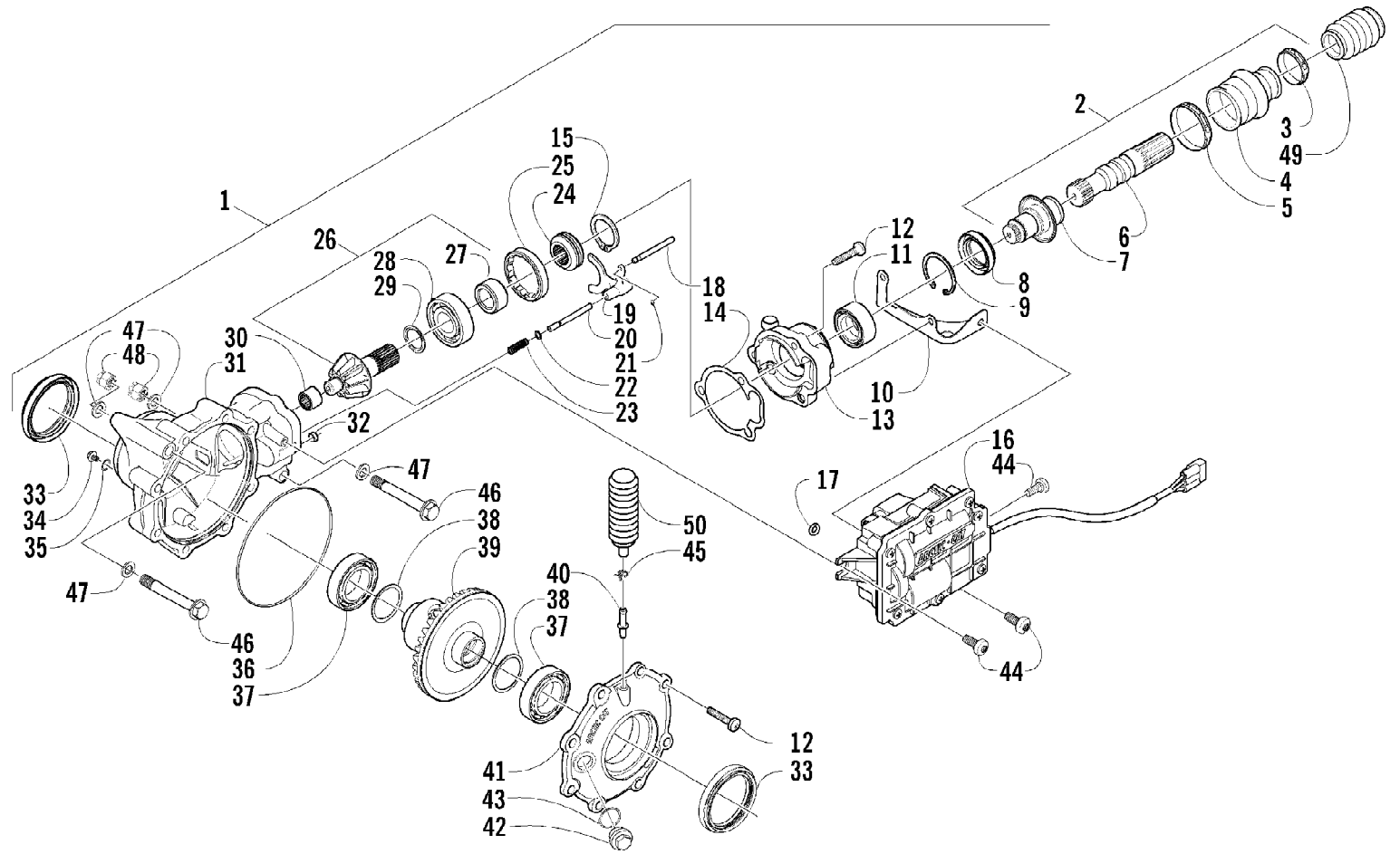


2004 ATV 400 MANUAL TRANSMISSION 4X4 FIS CAT GREEN MRP (A2004IS144USV) Page 55 of 97  
FRONT AND REAR RACK ASSEMBLIES

Ref #	Part Number	Qty	S/P/F	Description
1	0541-133	1		Center, Rack - Front
2	0541-134	2		Side, Rack - Front
3	0541-135	1		Frame, Rack - Front
4	0623-903	8		O-Ring
5	0541-189	14	S	Pin
6	0441-556	16		Bushing, Rack
7	0441-592	16	/P	Bushing, Rack
8	0541-130	1		Center, Rack - Rear
9	0541-131	2		Side, Rack - Rear
10	0541-132	1		Frame, Rack - Rear



2004 ATV 400 MANUAL TRANSMISSION 4X4 FIS CAT GREEN MRP (A2004151) Page 15 of 97  
FRONT DRIVE GEARCASE ASSEMBLY



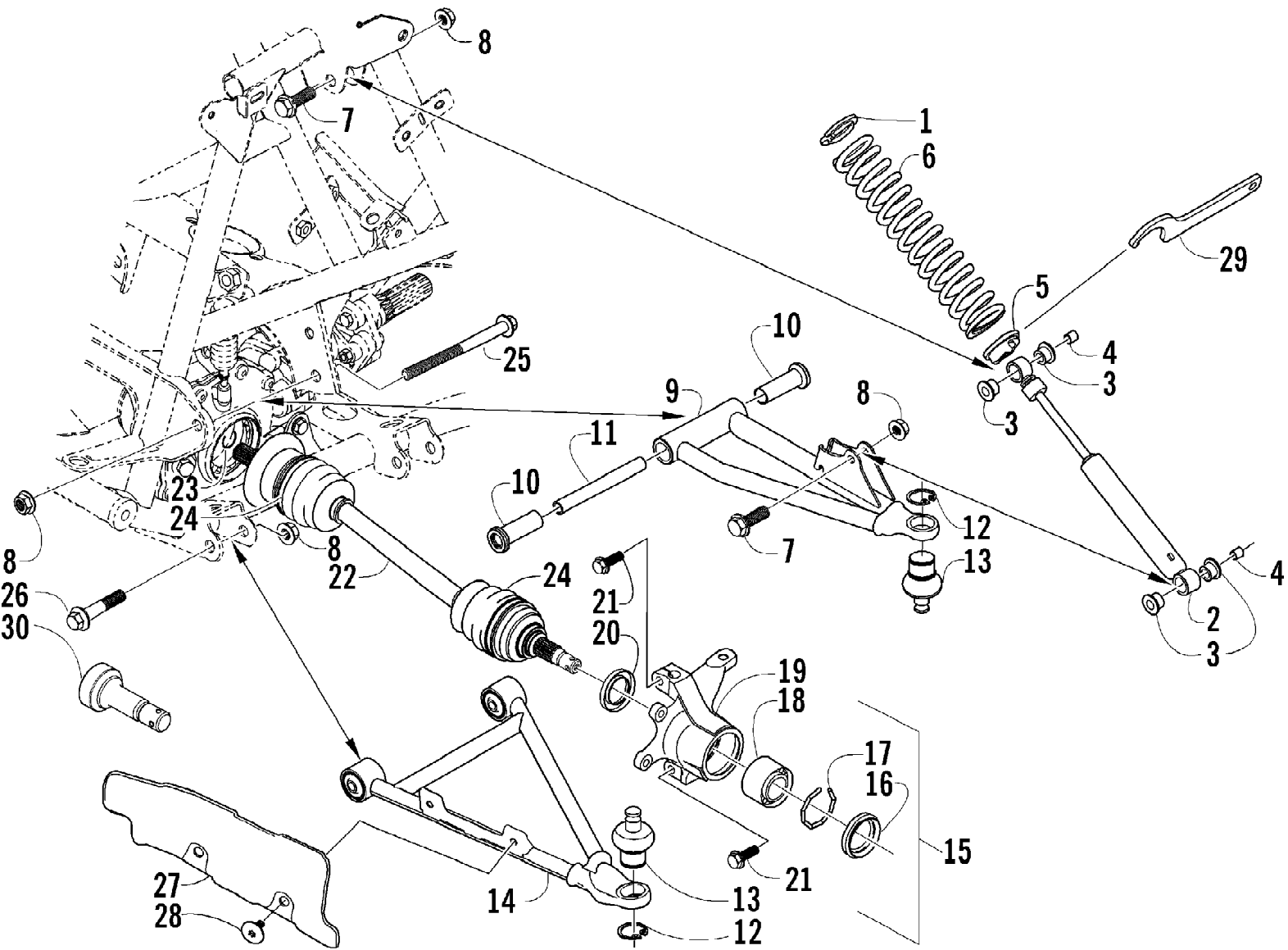
2004 ATV 400 MANUAL TRANSMISSION 4X4 FIS CAT GREEN MRP (A2004IS144US) of 97  
FRONT DRIVE GEARCASE ASSEMBLY

Ref #	Part Number	Qty	S/P/F	Description
1	0502-472	1		Gearcase, Front Drive - Assembly (inc. 2-44)
2	0502-386	1		Shaft, Propeller - Assembly (inc. 3-7)
3	0423-411	1		Clamp, Boot
4	0402-985	1	/P	Boot, Propeller Shaft
5	0423-393	1		Clamp, Boot
6	1402-046	1		Shaft, Output
7	1502-085	1	/P	Shaft, Input
8	1402-011	1		Seal
9	0423-423	1		Ring, Retaining
10	0502-347	1		Bracket, Actuator
11	1402-043	1		Bearing
12	0423-118	11		Screw, Self-Tapping
13	0502-406	1		Housing, Pinion
14	0402-947	1		Gasket, Flange
15	0423-417	1		Ring, Retaining
16	0502-296	1		Actuator (inc. one No. 17)
17	0423-498	2	S	O-Ring
18	0402-997	1		Shaft, Selector
19	0402-998	1		Fork, Selector
20	0402-417	1		Shaft, Shuttle
21	0423-402	1		Ring, Retaining
22	0423-147	1		O-Ring
23	0402-999	1		Spring, Return
24	0402-413	1		Coupler, Drive
25	0402-357	1		Collar, Lock
26	0502-123	1		Gear, Pinion - Assembly - 10T (inc. 27-29)
27	0402-336	1		Collar, Retaining
28	0402-327	1		Bearing
29	0402-424	AR		Shim
29	0402-425	AR		Shim
29	0402-426	AR		Shim
29	0402-427	AR		Shim
29	0402-428	AR		Shim
30	0402-328	1		Bearing
31	0502-120	1		Housing, Gearcase
32	0402-411	1		Pin, Dowel
33	0402-394	2	S	Seal
34	0402-450	1	S	Plug, Magnetic (inc. 35)
35	0423-153	1		O-Ring
36	0423-149	1		O-Ring
37	0402-393	2		Bearing
38	0402-405	AR		Shim
38	0402-406	AR		Shim
38	0402-407	AR		Shim
38	0402-408	AR		Shim
38	0402-409	AR		Shim
39	0502-124	1		Gear, Ring - 36T
40	1402-104	1		Fitting
41	0502-121	1		Cover, Gearcase
42	0402-333	1	/P	Plug, Fill (inc. 43)
43	0423-154	1		O-Ring
44	0423-396	3		Screw, Self-Tapping
45	0423-315	1		Clamp, Fitting

2004 ATV 400 MANUAL TRANSMISSION 4X4 FIS CAT GREEN MRP (A2004IS146LS) of 97  
FRONT DRIVE GEARCASE ASSEMBLY

Ref #	Part Number	Qty	S/P/F	Description
46	0423-404	2		Screw, Cap
47	0423-426	4		Washer
48	8428-002	2		Nut, Lock
49	0402-966	1		Boot, Shaft
50	0402-147	1	S	Bladder, Gearcase

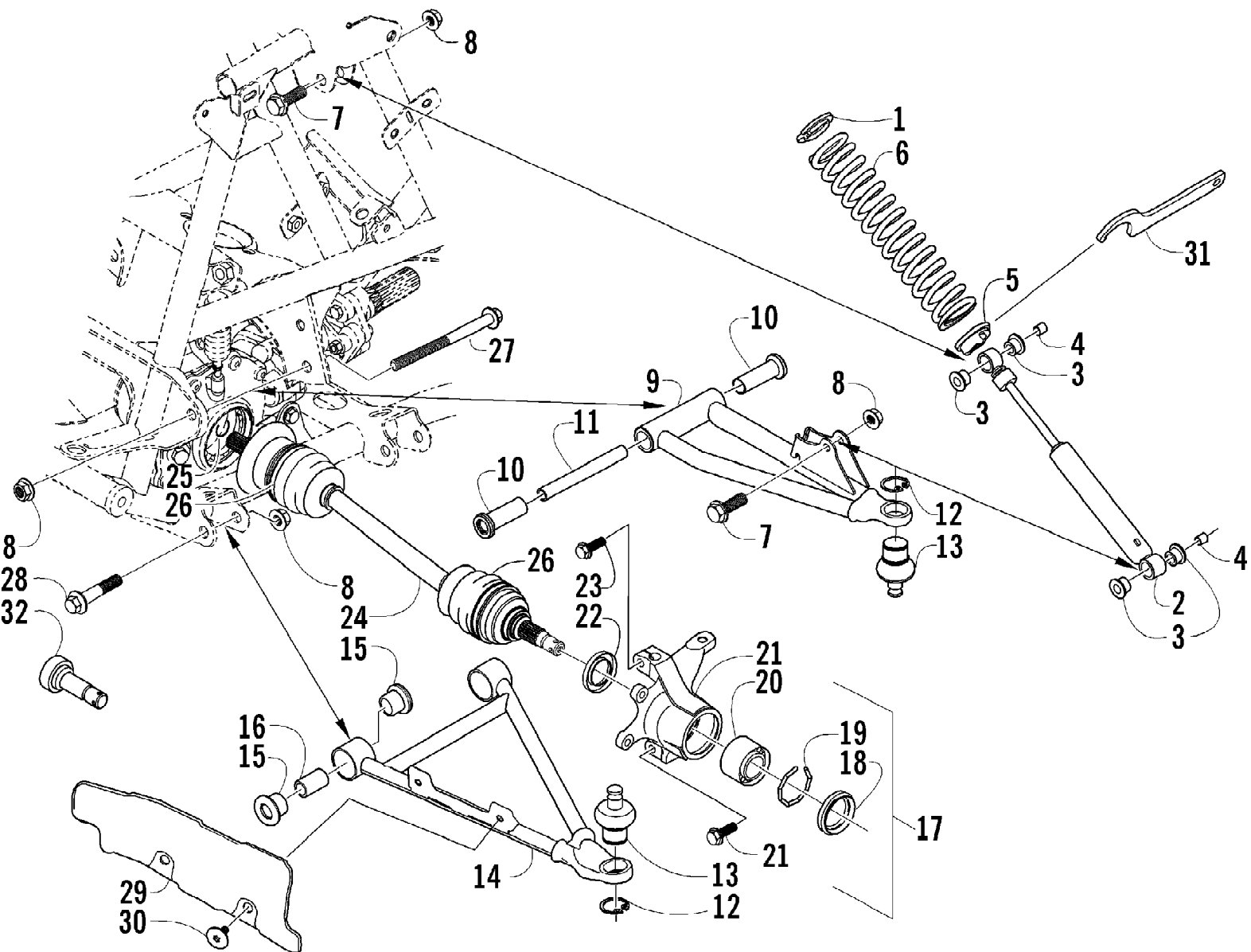
2004 ATV 400 MANUAL TRANSMISSION 4X4 FIS CAT GREEN MRP (A200415) Page 15 of 97  
FRONT SUSPENSION ASSEMBLY



2004 ATV 400 MANUAL TRANSMISSION 4X4 FIS CAT GREEN MRP (A2004IS146US) of 97  
FRONT SUSPENSION ASSEMBLY

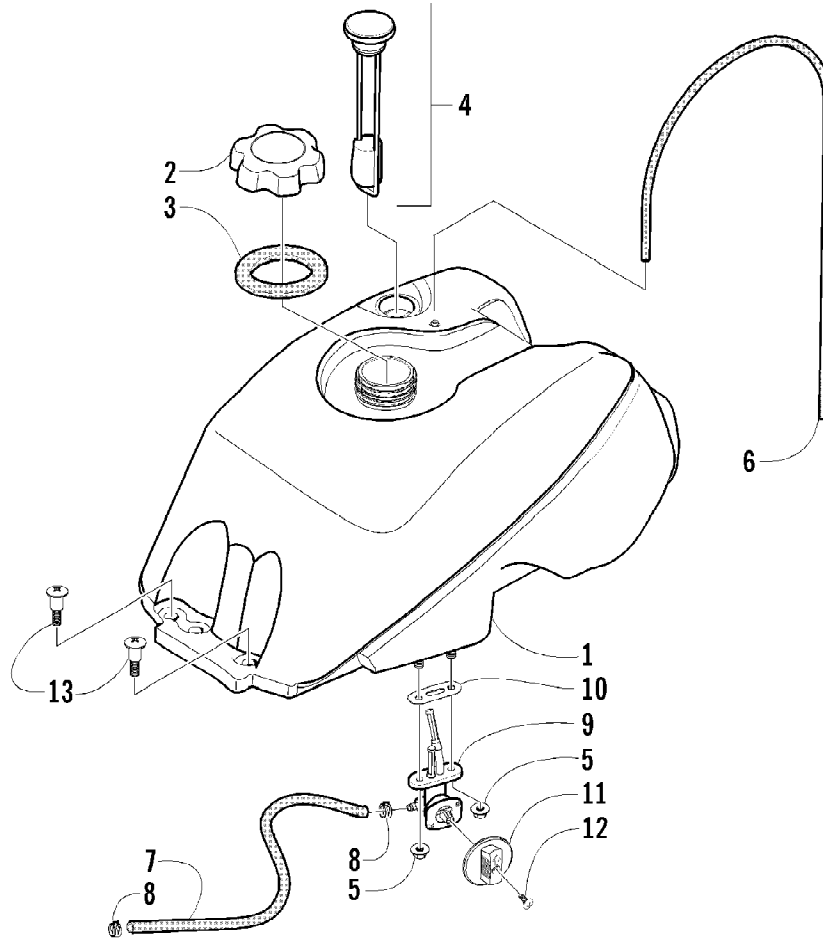
Ref #	Part Number	Qty	S/P/F	Description
1	1603-889	2	/P	Retainer, Spring
2	0403-111	2	/P	Shock Absorber - Front (inc. 3-4)
3	0604-310	8		Bushing, Shock Absorber
4	0403-028	4		Sleeve, Shock
5	0403-102	2		Cam, Spring Adjuster
6	0403-091	2		Spring, Shock Absorber
7	8409-040	4		Screw, Cap
8	8428-002	10		Nut, Lock
9	0503-196	1	S	A-Arm, Upper Right - Assembly (inc. 10-13)
9	0503-197	1		A-Arm, Upper Left - Assembly (inc. 10-13)
10	0403-081	4	S	Bushing
11	0403-080	2		Collar
12	0423-009	4	/P	Clip, Ball Joint
13	0405-115	4	/P	Ball Joint - Front
14	0503-227	1		A-Arm, Lower Right (inc. 12-13)
14	0503-228	1		A-Arm, Lower Left (inc. 12-13)
15	0505-026	1	S/P	Knuckle - Assembly - Right (inc. 16-20)
15	0505-027	1	S/P	Knuckle - Assembly - Left (inc. 16-20)
16	0402-089	2		Seal, Wheel Bearing - Front
17	0423-034	2		Clip, Bearing
18	0402-275	2	/P	Bearing, Wheel Hub - Front
19	0505-062	1	S	Knuckle, Steering - Right
19	0505-063	1	S	Knuckle, Steering - Left
20	0402-069	2		Seal, Wheel Bearing - Rear
21	8409-030	4		Screw, Cap
22	0502-544	2	S	Axle, Drive - Front (inc. 23-24)
23	0441-400	2	S	Clip, Retaining
24	0436-276	2	S	Repair Kit, Boot - Front Axle
25	0423-334	2		Screw, Cap
26	8409-060	4		Screw, Cap
27	1406-034	1		Guard, Boot - Axle - Right
27	1406-035	1		Guard, Boot - Axle - Left
28	0423-101	4		Screw, Body
29	0441-587	1		Wrench, Spanner
30	0	1	F	N/A

2004 ATV 400 MANUAL TRANSMISSION 4X4 FIS CAT GREEN MRP (A2004IS140) of 97  
FRONT SUSPENSION ASSEMBLY (VIN Ending in 225000 and Up)



2004 ATV 400 MANUAL TRANSMISSION 4X4 FIS CAT GREEN MRP (A20041SP4EUS) of 97  
 FRONT SUSPENSION ASSEMBLY (VIN Ending in 225000 and Up)

Ref #	Part Number	Qty	S/P/F	Description
1	1603-889	2	/P	Retainer, Spring
2	0403-127	2		Shock Absorber - Front (inc. 3-4)
3	0604-310	8		Bushing, Shock Absorber
4	0403-028	4		Sleeve, Shock
5	0403-102	2		Cam, Spring Adjuster
6	0403-128	2	S	Spring, Shock Absorber
7	8409-040	4		Screw, Cap
8	8428-002	10		Nut, Lock
9	0503-196	1	S	A-Arm, Upper Right - Assembly (inc. 10-13)
9	0503-197	1		A-Arm, Upper Left - Assembly (inc. 10-13)
10	0403-081	4	S	Bushing
11	0403-080	2		Collar
12	0423-009	4	/P	Clip, Ball Joint
13	0405-115	4	/P	Ball Joint - Front
14	0503-220	1		A-Arm, Lower Right (inc. 12-13 and 15-16)
14	0503-221	1		A-Arm, Lower Left (inc. 12-13 and 15-16)
15	0403-115	8	S	Bushing
16	0403-114	4	S	Collar
17	0505-026	1	S/P	Knuckle - Assembly - Right (inc. 18-22)
17	0505-027	1	S/P	Knuckle - Assembly - Left (inc. 18-22)
18	0402-089	2		Seal, Wheel Bearing - Front
19	0423-034	2		Clip, Bearing
20	0402-275	2	/P	Bearing, Wheel Hub - Front
21	0505-062	1	S	Knuckle, Steering - Right
21	0505-063	1	S	Knuckle, Steering - Left
22	0402-069	2		Seal, Wheel Bearing - Rear
23	8409-030	4		Screw, Cap
24	0502-544	2	S	Axle, Drive - Front (inc. 25-26)
25	0441-400	2	S	Clip, Retaining
26	0436-276	2	S	Repair Kit, Boot - Front Axle
27	0423-334	2		Screw, Cap
28	8409-075	4		Screw, Cap
29	1406-034	1		Guard, Boot - Axle - Right
29	1406-035	1		Guard, Boot - Axle - Left
30	0423-101	4		Screw, Body
31	0441-587	1		Wrench, Spanner
32	0	1	F	N/A

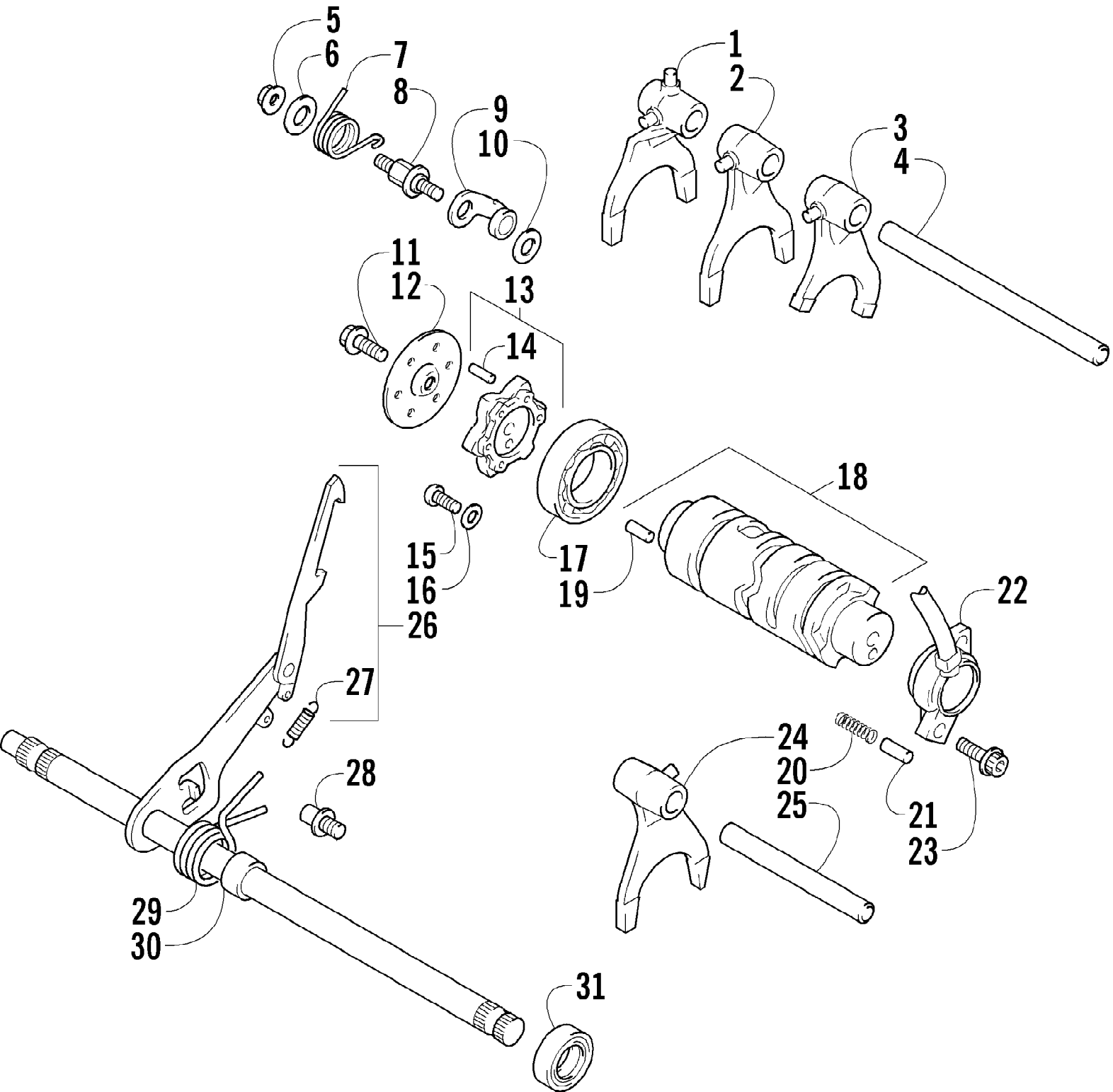




2004 ATV 400 MANUAL TRANSMISSION 4X4 FIS CAT GREEN MRP (A2004IS146US) Page 15 of 97  
 GAS TANK ASSEMBLY

Ref #	Part Number	Qty	S/P/F	Description
1	0570-066	1	/P	Tank, Gas - Assembly (inc. 2-10)
2	0470-438	1	/P	Cap, Gas Tank (inc. 3)
3	0109-733	1	/P	Gasket, Tank Cap
4	0570-086	1	/P	Gauge, Fuel w/Gasket (Press-Fit)
5	0423-398	2		Nut, Lock
6	0470-416	1	/P	Hose, Vent
7	0610-007	AR	/P	Hose, Gasline - 25 ft
8	0423-152	2		Clamp, Hose
9	0470-445	1	/P	Valve, Fuel Shut-Off (inc. 10)
10	0470-364	1		Gasket, Fuel Shut-Off Valve
11	0470-408	1		Knob, Fuel Shut-Off Valve
12	0423-146	1		Screw, Machine
13	0423-130	2		Screw, Shoulder

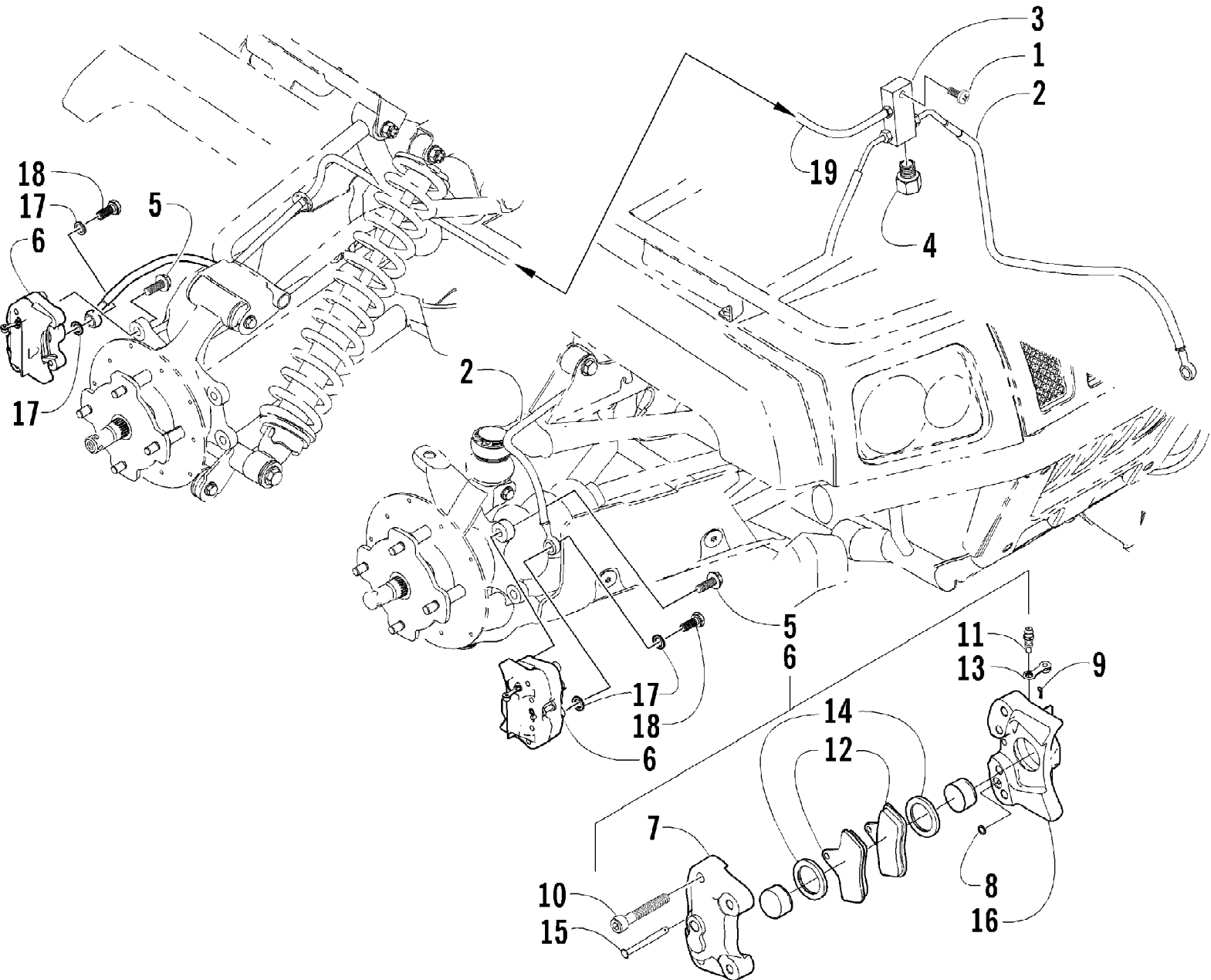
2004 ATV 400 MANUAL TRANSMISSION 4X4 FIS CAT GREEN MRP (A20041SP40US) of 97  
GEAR SHIFTING ASSEMBLY



2004 ATV 400 MANUAL TRANSMISSION 4X4 FIS CAT GREEN MRP (A2004IS146US) of 97  
GEAR SHIFTING ASSEMBLY

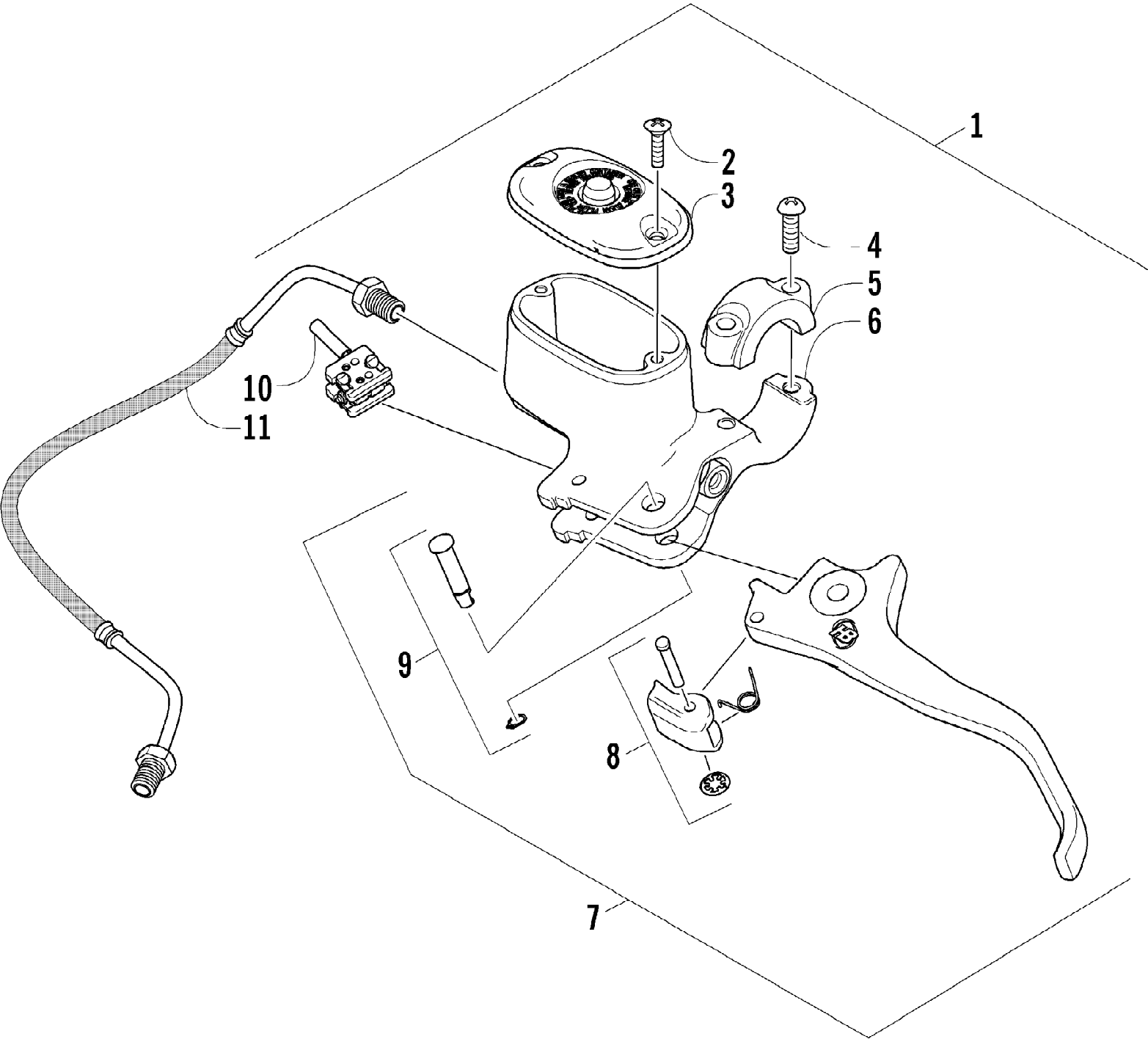
Ref #	Part Number	Qty	S/P/F	Description
1	3446-306	1		Fork, Gear Shift - Reverse
2	3446-155	1		Fork, Gear Shift - No. 1
3	3446-156	1		Fork, Gear Shift - No. 2
4	3402-643	1		Shaft, Gear Shift Fork - No. 2
5	3004-488	1	S/P	Nut
6	3423-142	1		Washer
7	3423-521	1	S	Spring, Gear Shift Cam Stopper
8	3446-048	1		Support, Gear Shift Cam Stopper
9	3402-746	1		Stopper, Gear Shift Cam
10	3423-141	1		Washer
11	3423-125	1	S	Bolt
12	3446-309	1	/P	Guide, Gear Shift
13	3446-049	1		Plate, Gear Shift Cam (inc. 14)
14	3423-045	5		Pin
15	3423-370	2		Screw
16	3423-135	2		Retainer
17	3402-051	1		Bearing, Gear Shift Cam
18	3446-308	1		Cam, Gear Shift (inc. 19)
19	3423-114	1	/P	Pin
20	3402-087	2		Spring
21	3423-044	2		Contact
22	3446-313	1		Base, Neutral Switch
23	3423-418	2		Bolt
24	3446-157	1		Fork, Gear Shift - No. 3
25	3446-307	1		Shaft, Gear Shift Fork - No. 1
26	3446-310	1		Shaft, Gear Shift (inc. 27)
27	3402-093	1		Spring
28	3446-056	1		Stopper, Gear Shift Shaft
29	3402-094	1		Spring, Return
30	3446-054	1		Spacer, Gear Shift Shaft
31	3402-068	1	/P	Seal, Oil

2004 ATV 400 MANUAL TRANSMISSION 4X4 FIS CAT GREEN MRP (A20041SP40US) of 97  
HYDRAULIC BRAKE ASSEMBLY



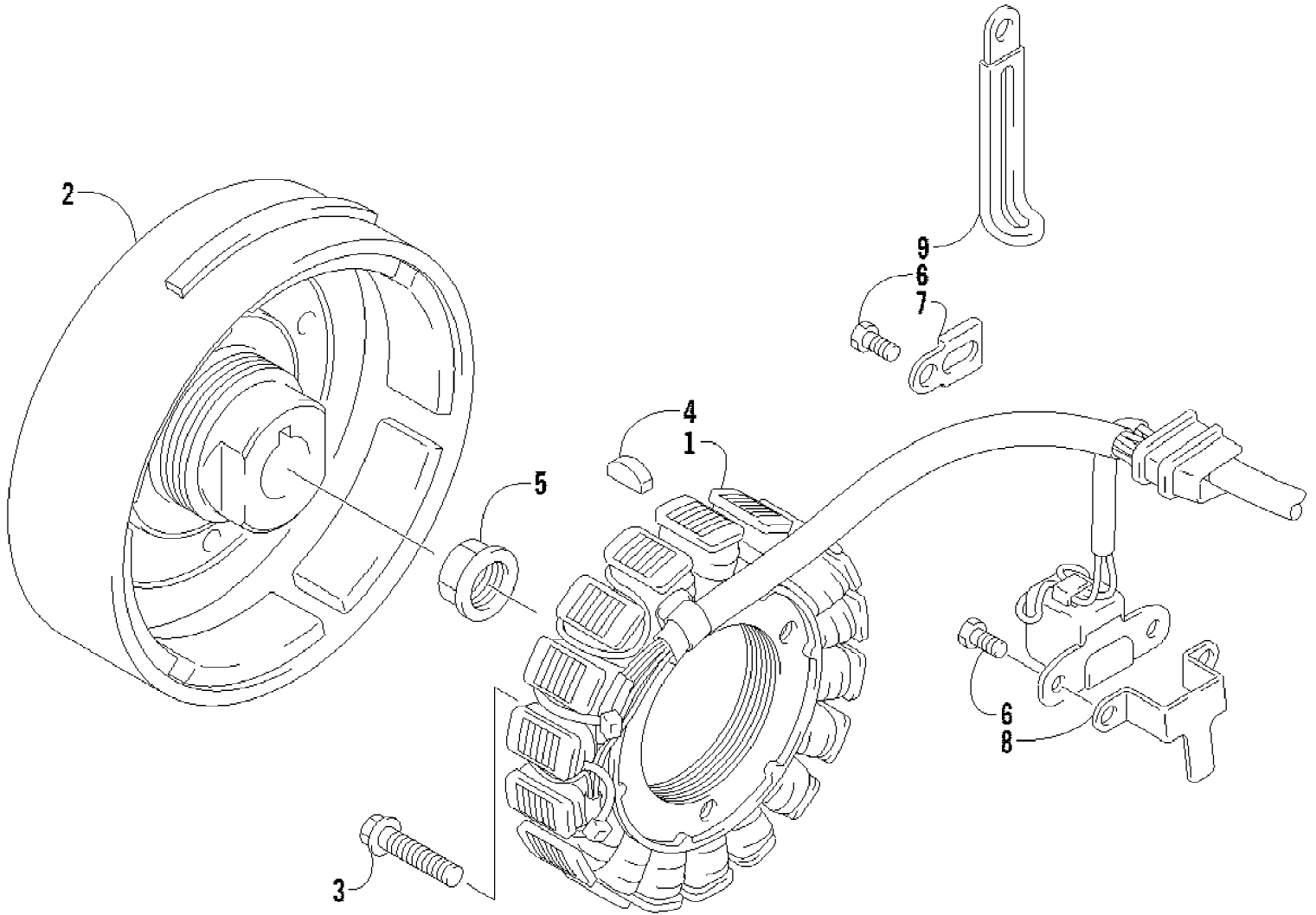
2004 ATV 400 MANUAL TRANSMISSION 4X4 FIS CAT GREEN MRP (A20041SP4EUS) of 97  
 HYDRAULIC BRAKE ASSEMBLY

Ref #	Part Number	Qty	S/P/F	Description
1	8476-625	1		Screw, Cap
2	0402-961	2		Hose, Brake - Front
3	1402-086	1		Block, Junction
4	1402-031	1		Plug
5	8408-825	6		Screw, Cap
6	0502-335	1	S	Caliper, Brake - Right Front (inc. 7-16)
6	0502-336	2	S	Caliper, Brake - Left Front and Right Rear (inc. 7-16)
7	0	3	F	Housing, Caliper
8	0402-490	3		O-Ring
9	0402-496	3	S	Clip, Hairpin
10	0402-492	12		Screw, Cap
11	0402-491	3	S	Valve, Bleed
12	0402-882	6	/P	Pad, Brake
13	0402-493	3		Cap, Bleed Valve
14	0402-980	6		O-Ring, Brake Caliper
15	0402-495	3		Pin, Brake Caliper
16	0	3	F	Housing, Caliper
17	0423-178	6		Washer, Crush
18	0423-413	3		Bolt, Banjo Fitting
19	1402-204	1		Hose, Brake - Rear



2004 ATV 400 MANUAL TRANSMISSION 4X4 FIS CAT GREEN MRP (A2004IS146US) of 97  
 HYDRAULIC HAND BRAKE ASSEMBLY

Ref #	Part Number	Qty	S/P/F	Description
1	0502-561	1	S	Brake Assembly (inc. 2-10)
2	0502-566	1		Screw, Reservoir Cover - Kit
3	0502-565	1		Cover, Reservoir - Kit
4	0502-568	1		Screw, Master Cylinder Clamp - Kit
5	0502-567	1		Clamp, Master Cylinder - Kit
6	0502-516	1		Master Cylinder Assembly - Kit
7	0502-562	1	S	Lever Assembly - Kit (inc. 8-9)
8	0502-563	1	S	Lock, Brake Lever - Kit
9	0502-580	1		Lever Pin - Kit
10	0502-564	1	/P	Switch, Brake - Kit
11	0402-962	1		Brakeline, Hydraulic

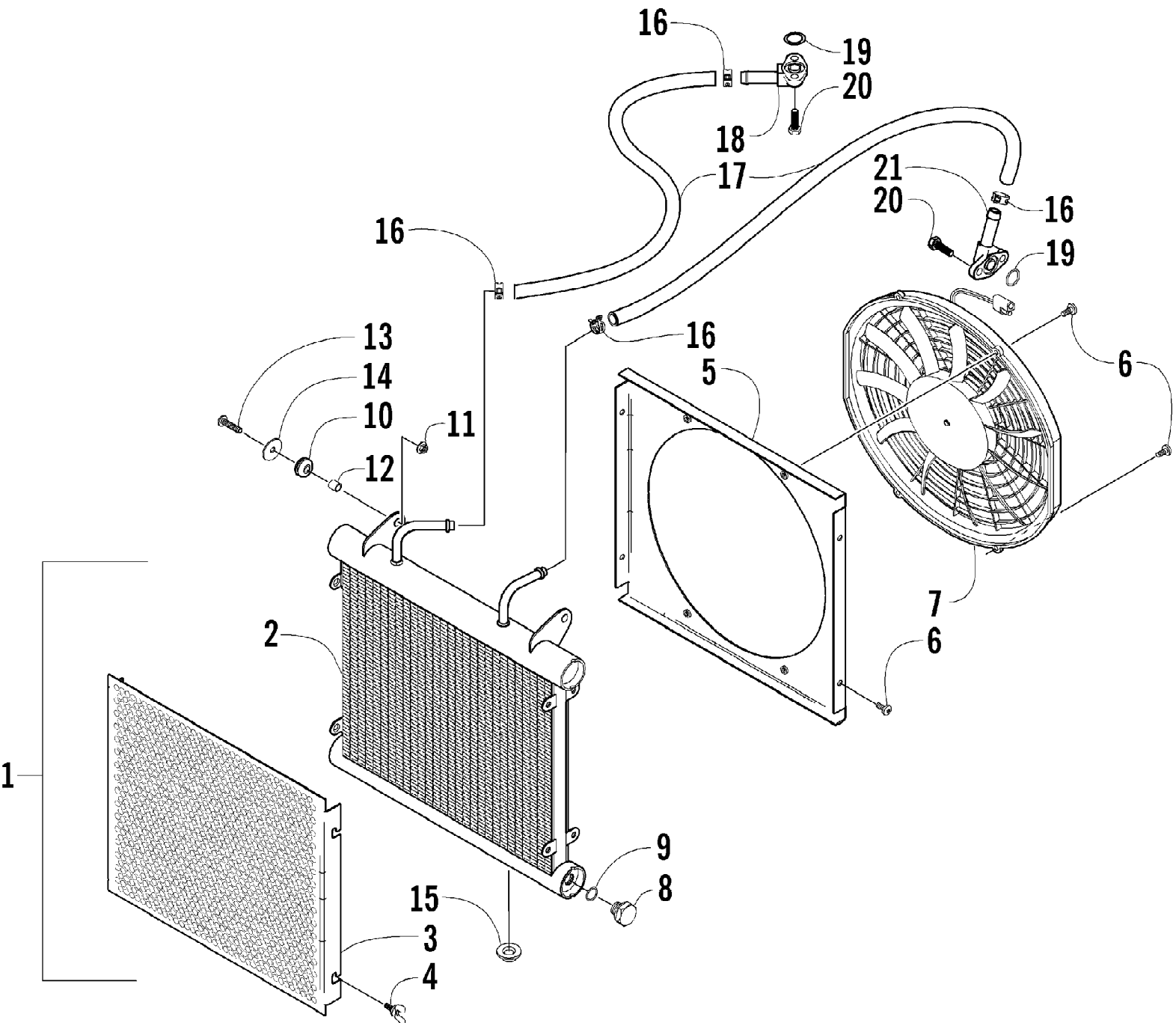




2004 ATV 400 MANUAL TRANSMISSION 4X4 FIS CAT GREEN MRP (A2004IS146US) Page 5 of 97  
MAGNETO ASSEMBLY

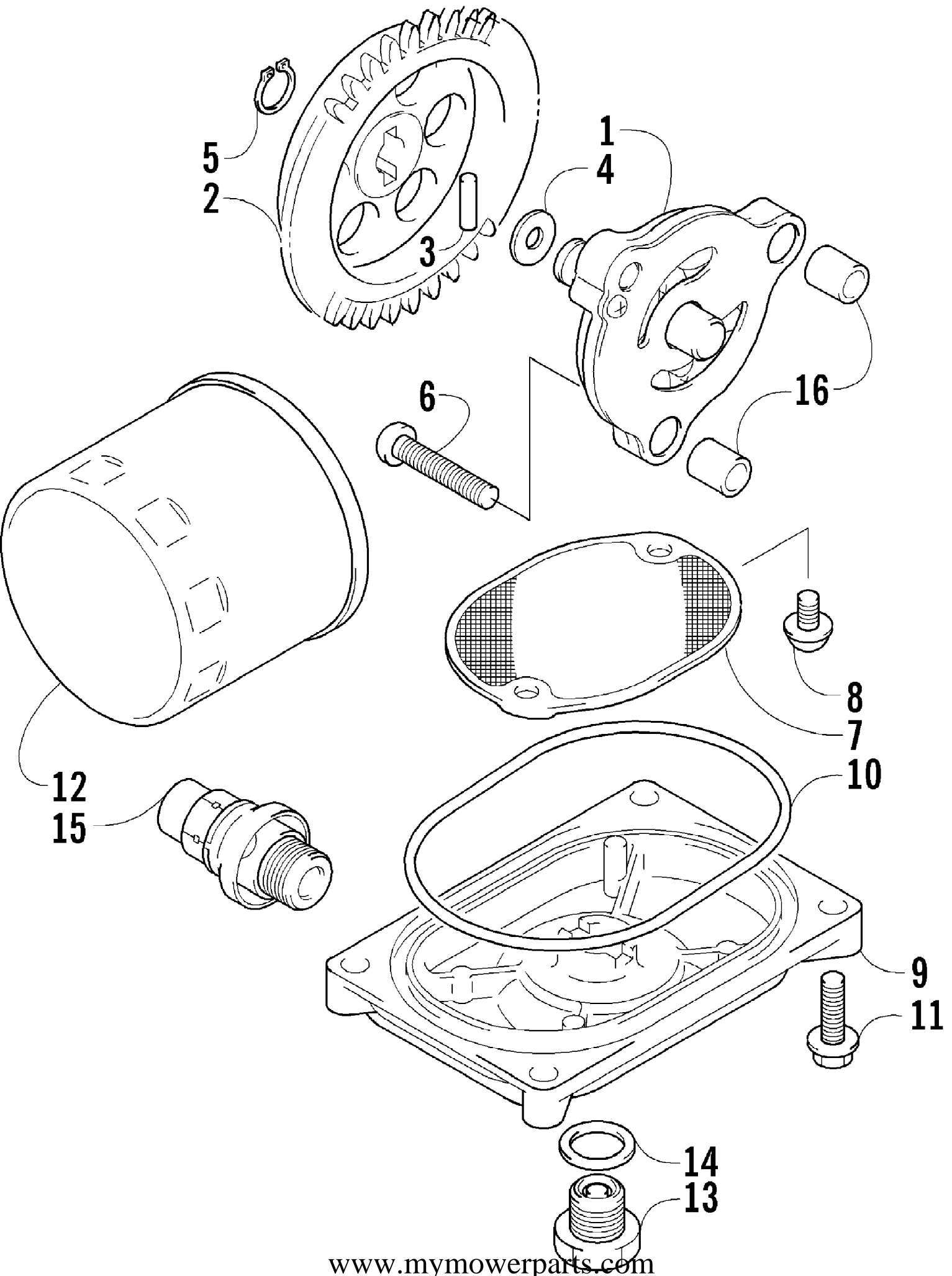
Ref #	Part Number	Qty	S/P/F	Description
1	3430-053	1		Stator Assembly
2	3430-054	1	S	Rotor/Flywheel
3	3004-756	3	S	Bolt
4	0691-785	1		Key
5	3423-086	1		Nut
6	3423-005	3	/P	Bolt
7	3430-005	1		Clamp
8	3430-006	1		Clamp
9	3002-964	1	/P	Clamp, Wire

2004 ATV 400 MANUAL TRANSMISSION 4X4 FIS CAT GREEN MRP (A2004IS) Page 53 of 97  
OIL COOLER ASSEMBLY



2004 ATV 400 MANUAL TRANSMISSION 4X4 FIS CAT GREEN MRP (A2004IS146) Page 55 of 97  
 OIL COOLER ASSEMBLY

Ref #	Part Number	Qty	S/P/F	Description
1	0413-052	1		Cooler, Oil - Assembly (inc. 2-9)
2	0413-053	1		Cooler, Oil
3	0413-007	1		Screen, Oil Cooler
4	0413-009	1		Screw, Thumb
5	0413-064	1		Shroud, Fan
6	8475-512	8		Screw, Machine
7	0413-044	1	S	Fan, Cooling
8	0413-058	1		Plug, Drain
9	0413-059	1		O-Ring
10	0423-030	2		Grommet
11	0623-038	2		Nut w/Washer
12	0423-036	2		Collar
13	8476-625	2		Screw, Machine
14	0623-184	2		Washer
15	0423-028	2		Bushing, Stem
16	0423-098	4	/P	Clamp, Hose
17	0410-044	2		Hose, Oil
18	0410-013	1		Fitting, Oil
19	0423-089	2		O-Ring
20	8471-616	4		Screw, Machine
21	0410-012	1		Fitting, Oil - Angled



2004 ATV 400 MANUAL TRANSMISSION 4X4 FIS CAT GREEN MRP (A2004IS146USV) Page 53 of 97  
 OIL FILTER/PUMP ASSEMBLY

Ref #	Part Number	Qty	S/P/F	Description
1	3402-619	1		Pump, Oil
2	3402-618	1		Gear, Driven
3	3423-046	1		Pin
4	3423-443	1		Washer
5	3423-184	1	S	Circlip
6	3423-113	3	S/P	Screw
7	3402-156	1		Strainer, Oil
8	0693-389	2	S	Screw
9	3402-157	1		Cap, Oil Strainer
10	3423-077	1		O-Ring
11	3004-756	4	S	Screw, Cap
12	0436-146	1	S	Filter, Oil
13	3403-021	1	/P	Plug, Drain
14	3402-012	1		Gasket, Drain Plug
15	3402-773	1		Valve, Assembly - Oil Relief
16	3005-206	2	/P	Pin, Oil Pump



2004 ATV 400 MANUAL TRANSMISSION 4X4 FIS CAT GREEN MRP (A2004IS146) Page 55 of 97  
REAR DRIVE GEARCASE ASSEMBLY

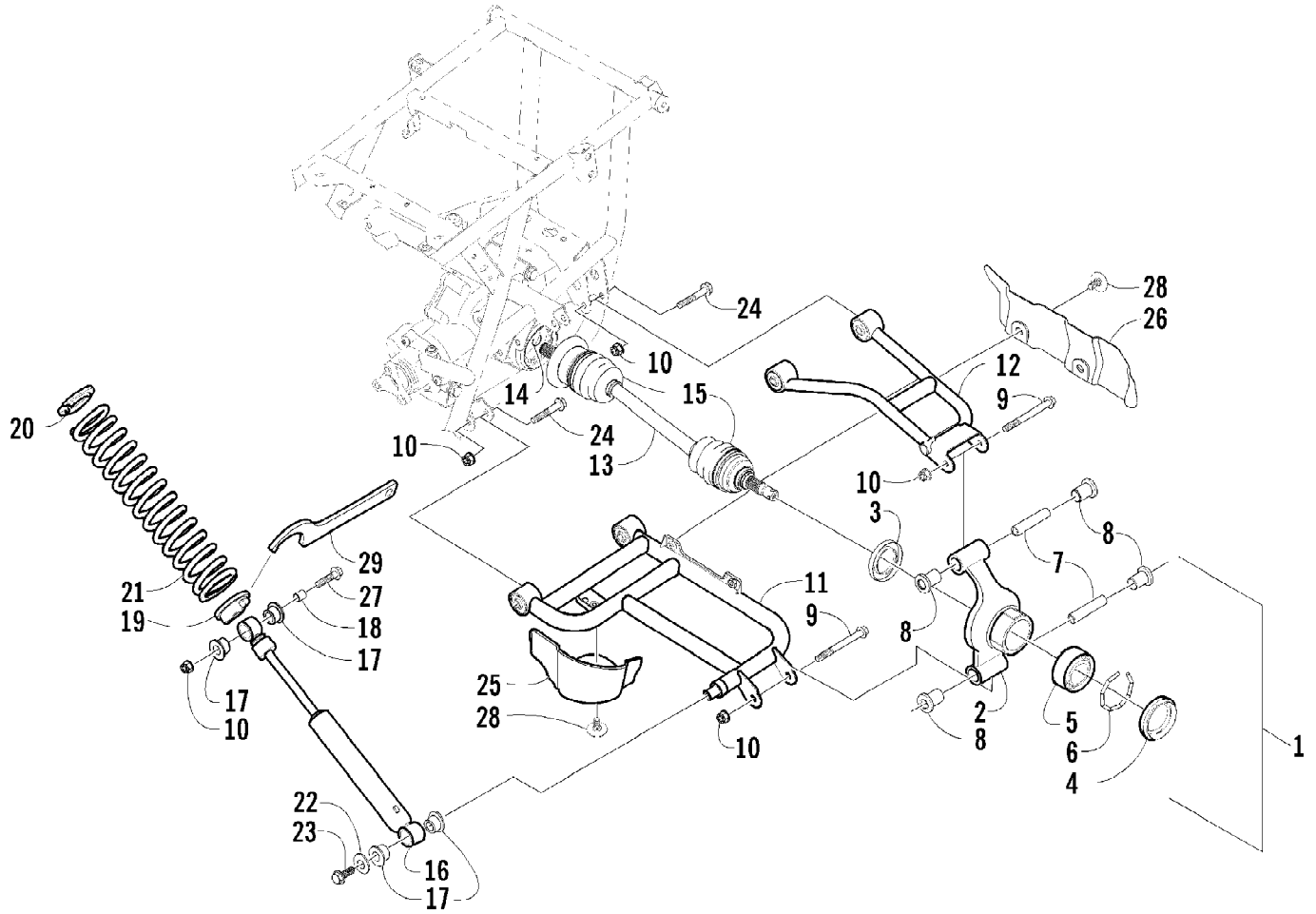
Ref #	Part Number	Qty	S/P/F	Description
1	0502-453	1		Gearcase, Rear Drive - Assembly (inc. 2-32)
2	0502-352	1		Housing, Gearcase
3	0402-393	2		Bearing
4	0402-394	2	S	Seal
5	0402-965	1		Gear, Ring - 36T
6	0402-405	AR		Shim
6	0402-406	AR		Shim
6	0402-407	AR		Shim
6	0402-408	AR		Shim
6	0402-409	AR		Shim
7	0402-326	1		Button, Thrust
8	0402-429	AR		Shim
8	0402-430	AR		Shim
8	0402-431	AR		Shim
8	0402-432	AR		Shim
8	0402-433	AR		Shim
9	0423-149	1		O-Ring
10	0502-346	1		Cover, Gearcase
11	0402-333	1	/P	Plug, Fill (inc. 12)
12	0423-154	1		O-Ring
13	1402-102	1		Fitting
14	0423-118	11		Screw, Self-Tapping
15	0402-450	1	S	Plug, Magnetic (inc. 16)
16	0423-153	1		O-Ring
17	0402-328	1		Bearing
18	0502-123	1		Gear, Pinion - Assembly - 10T (inc. 19-21)
19	0402-424	AR		Shim
19	0402-425	AR		Shim
19	0402-426	AR		Shim
19	0402-427	AR		Shim
19	0402-428	AR		Shim
20	0402-327	1		Bearing
21	0402-336	1		Collar, Retaining
22	0402-411	1		Pin, Dowel
23	0402-331	1		Collar, Lock
24	0402-982	1		Washer, Wave
25	0402-981	1		Collar, Shaft
26	0402-947	1		Gasket, Flange
27	0502-380	1		Housing, Pinion
28	0423-417	1		Ring, Retaining
29	1402-043	1		Bearing
30	0423-423	1		Ring, Retaining
31	1402-011	1		Seal
32	0502-407	1	S	Shaft, Input
33	0673-618	2	/P	Bumper, Propeller Shaft
34	0402-963	1		Shaft, Propeller
35	0423-393	2		Clamp
36	0402-954	1		Boot
37	0402-950	1		Flange, Output
38	8408-820	4	/P	Screw, Cap
39	0423-404	2		Screw, Cap
40	0423-426	4		Washer
41	8428-002	2		Nut, Lock

2004 ATV 400 MANUAL TRANSMISSION 4X4 FIS CAT GREEN MRP (A2004IS146LSV) Page 65 of 97  
 REAR DRIVE GEARCASE ASSEMBLY

Ref #	Part Number	Qty	S/P/F	Description
42	0423-315	3		Clamp, Hose
43	0410-049	AR		Hose, Vent
44	0470-462	1		Fitting, Vent
45	0623-101	1		Clip, Retaining
46	0402-147	1	S	Bladder, Gearcase



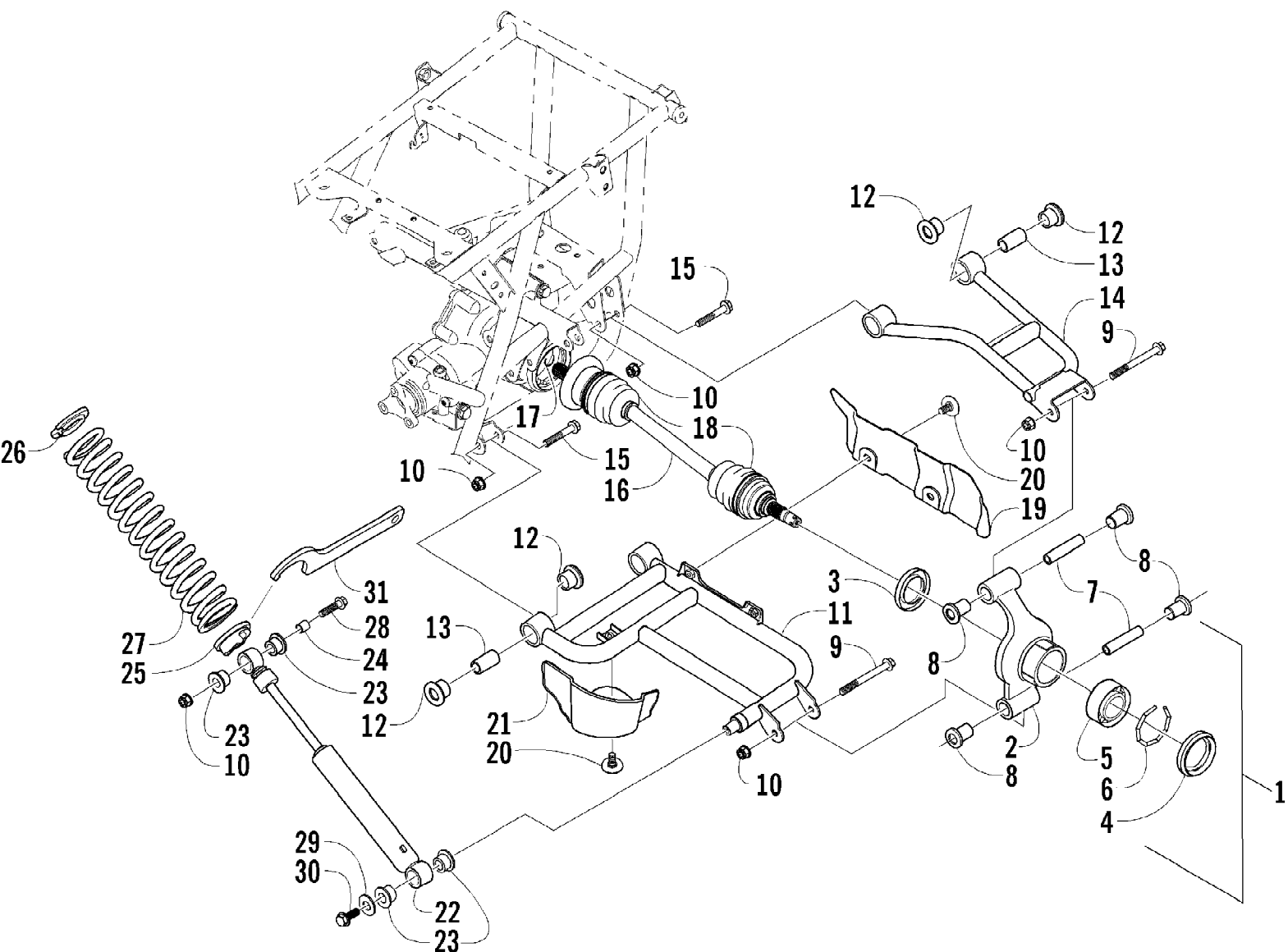
2004 ATV 400 MANUAL TRANSMISSION 4X4 FIS CAT GREEN MRP (A2004IS146US) of 97  
REAR SUSPENSION ASSEMBLY



2004 ATV 400 MANUAL TRANSMISSION 4X4 FIS CAT GREEN MRP (A2004IS146) Page 62 of 97  
REAR SUSPENSION ASSEMBLY

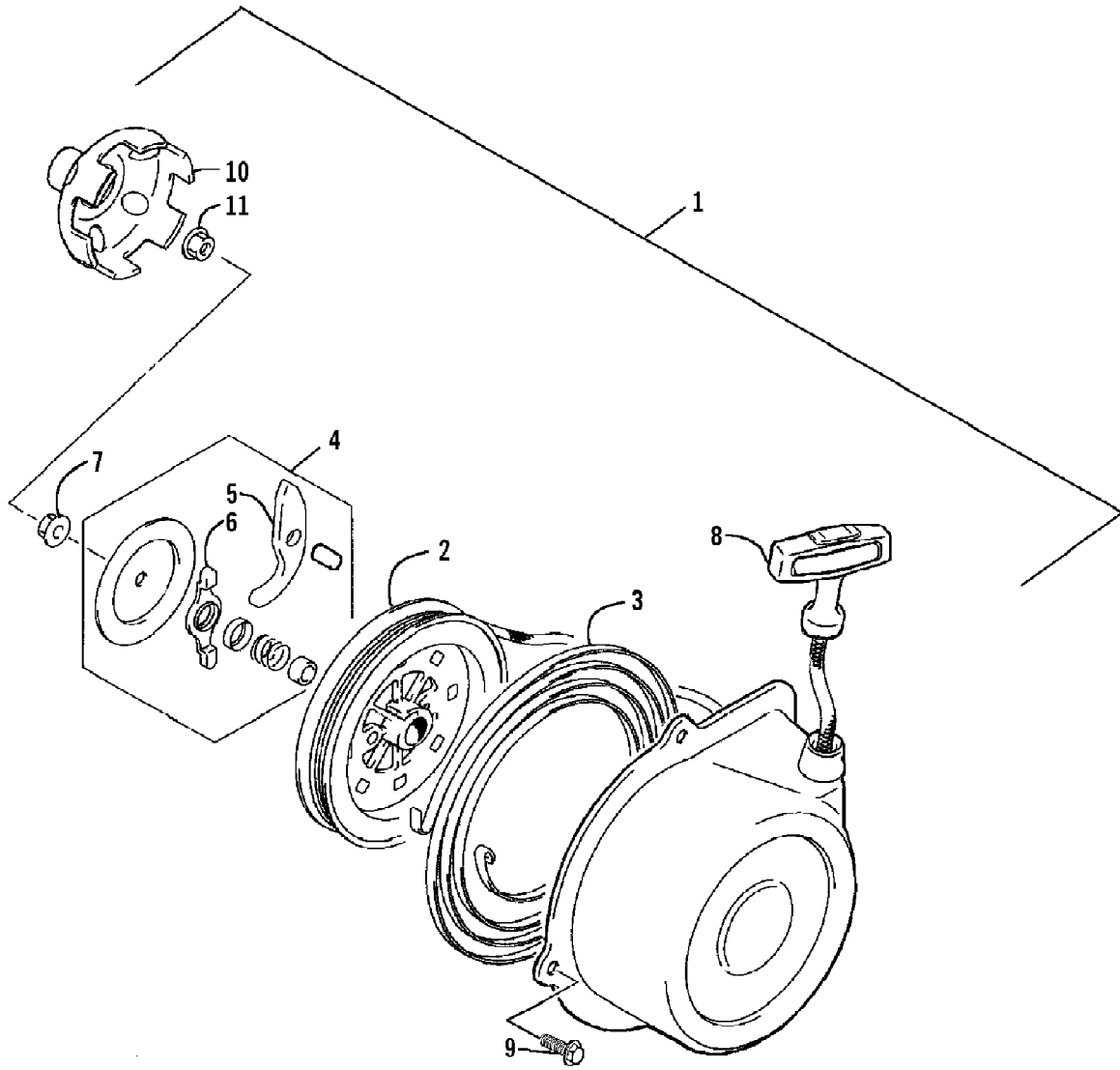
Ref #	Part Number	Qty	S/P/F	Description
1	0504-302	1	S	Knuckle, Right Rear - Assembly (inc. 2-6)
1	0504-227	1	S	Knuckle, Left Rear - Assembly (inc. 2-6)
2	0504-297	1	S	Knuckle - Right
2	0504-225	1	S	Knuckle - Left
3	0402-069	2		Seal, Wheel Bearing - Rear
4	0402-089	2		Seal, Wheel Bearing - Front
5	0402-275	2	/P	Bearing, Wheel
6	0423-034	2		Clip, Bearing
7	0403-038	4	S/P	Collar, Suspension Bushing
8	0403-032	8	S	Bushing, Suspension
9	8409-000	4		Screw, Cap
10	8428-002	14		Nut, Lock
11	0504-228	1		A-Arm, Rear - Lower Right
11	0504-229	1		A-Arm, Rear - Lower Left
12	0504-306	1		Arm, Rear - Upper Right
12	0504-233	1		Arm, Rear - Upper Left
13	0502-544	2	S	Axle, Drive (inc. 14-15)
14	0441-400	2	S	Clip, Retaining
15	0436-276	2	S	Repair Kit, Boot - Rear Axle
16	0404-045	2		Shock Absorber - Rear (inc. 17-18)
17	0604-310	8		Bushing, Shock Absorber
18	0403-028	2		Sleeve, Shock Absorber
19	0404-057	2		Cam, Spring Adjuster
20	1603-889	2	/P	Retainer, Spring
21	0404-046	2		Spring, Suspension
22	0423-087	2		Washer
23	8408-820	2	/P	Screw, Cap
24	8409-060	8		Screw, Cap
25	1406-071	1		Guard, Boot - Right
25	1406-072	1		Guard, Boot - Left
26	1406-068	1		Guard, Boot - Right
26	1406-069	1		Guard, Boot - Left
27	8409-040	2		Screw, Cap
28	0423-101	6		Screw, Body
29	0441-587	1		Wrench, Spanner

2004 ATV 400 MANUAL TRANSMISSION 4X4 FIS CAT GREEN MRP (A200419146) of 97  
REAR SUSPENSION ASSEMBLY (VIN Ending in 225000 and Up)



2004 ATV 400 MANUAL TRANSMISSION 4X4 FIS CAT GREEN MRP (A2004IS146USV) of 97  
 REAR SUSPENSION ASSEMBLY (VIN Ending in 225000 and Up)

Ref #	Part Number	Qty	S/P/F	Description
1	0504-302	1	S	Knuckle, Right Rear - Assembly (inc. 2-6)
1	0504-227	1	S	Knuckle, Left Rear - Assembly (inc. 2-6)
2	0504-297	1	S	Knuckle - Right
2	0504-225	1	S	Knuckle - Left
3	0402-069	2		Seal, Wheel Bearing - Rear
4	0402-089	2		Seal, Wheel Bearing - Front
5	0402-275	2	/P	Bearing, Wheel
6	0423-034	2		Clip, Bearing
7	0403-038	4	S/P	Collar, Suspension Bushing
8	0403-032	8	S	Bushing, Suspension
9	8409-000	4		Screw, Cap
10	8428-002	14		Nut, Lock
11	0504-320	1	S	A-Arm, Rear - Lower Right (inc. 12-13)
11	0504-321	1	S	A-Arm, Rear - Lower Left (inc. 12-13)
12	0403-115	16	S	Bushing
13	0403-114	8	S	Collar
14	0504-318	1		A-Arm, Rear - Upper Right (inc. 12-13)
14	0504-319	1		A-Arm, Rear - Upper Left (inc. 12-13)
15	8409-075	8		Screw, Cap
16	0502-544	2	S	Axle, Drive (inc. 17-18)
17	0441-400	2	S	Clip, Retaining
18	0436-276	2	S	Repair Kit, Boot - Rear Axle
19	1406-068	1		Guard, Boot - Right
19	1406-069	1		Guard, Boot - Left
20	0423-101	6		Screw, Body
21	1406-071	1		Guard, Boot - Right
21	1406-072	1		Guard, Boot - Left
22	0404-072	2		Shock Absorber - Rear (inc. 23-24)
23	0604-310	8		Bushing, Shock Absorber
24	0403-028	2		Sleeve, Shock Absorber
25	0404-057	2		Cam, Spring Adjuster
26	1603-889	2	/P	Retainer, Spring
27	0404-065	2		Spring, Suspension
28	8409-040	2		Screw, Cap
29	0423-087	2		Washer
30	8408-820	2	/P	Screw, Cap
31	0441-587	1		Wrench, Spanner



2004 ATV 400 MANUAL TRANSMISSION 4X4 FIS CAT GREEN MRP (A2004IS14465) Page 65 of 97  
RECOIL STARTER ASSEMBLY

Ref #	Part Number	Qty	S/P/F	Description
1	3445-003	1		Starter, Recoil - Assembly (inc. 2-8)
2	3445-004	1		Reel
3	3445-007	1		Spring, Sprial
4	3445-016	1		Ratchet - Assembly (inc. 5-6)
5	3445-005	1		Ratchet
6	3445-006	1		Guide, Ratchet
7	3004-488	1	S/P	Nut
8	3445-011	1		Rope Assembly
9	3423-428	4		Screw, Cap
10	3445-029	1	/P	Cup, Starter
11	3004-491	1	S/P	Nut

No  
Diagram  
Available  
  
Parts List  
Only

2004 ATV 400 MANUAL TRANSMISSION 4X4 FIS CAT GREEN MRP (A2004IS) Page 68 of 97  
RELATED ITEMS

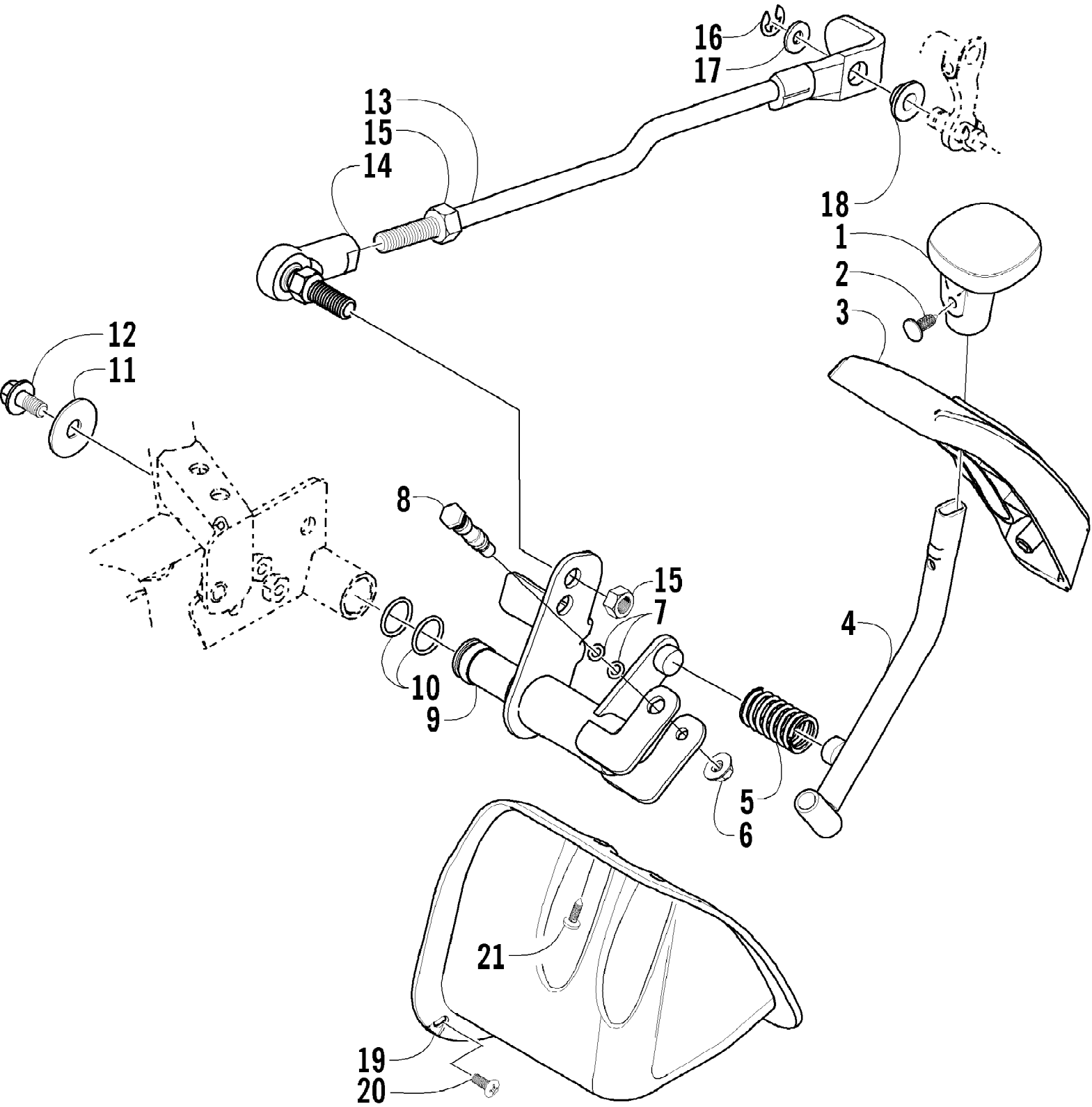
Ref #	Part Number	Qty	S/P/F	Description
	0436-479	1		Articulating Spool Mount
	0436-469	1		Backrest
	0436-513	1		Bag, Fender - Black
	0436-514	1		Bag, Fender (Break-Up)
	0436-515	1		Bag, Fender (Shadow Grass)
	0436-337	1		Bag, Rack, Front - Black
	0436-336	1		Bag, Rack, Rear - Black
	0436-480	1		Bar, Utility/Gun Rack
	0436-502	1		Brush Guard/Bumper
	0436-462	1		Bucket Holder
	0436-506	1		Bumper (Rear)
	0436-464	1		Camp Stove Cradle
	0436-454	1		Cargo Box
	0436-485	1		Cargo Box Solid Mount Kit
	0436-498	1		Cargo Box Quick-Release Kit
	0436-459	1	/P	Carryall (9x12)
	0436-460	1		Carryall (11x17)
	0436-461	1		Carryall (14x25)
	0436-476	1		Chain Saw Lock
	0436-477	1		Cord Reel
	0436-381	1		Cover, Black and Green
	0436-339	1		Cover, Timber Camo
	0436-005	1	S	Engine Oil - 10W40
	0436-003	1	S	Engine Oil - 5W30
	0436-466	1		Fender Box
	0436-474	1		Flatbed Extensions
	0436-467	1		Gear Cradle
	0436-007	1	S	Gear Lube (Diff) - 80W90
	0436-472	1		Gun Scabbard Kit
	0436-505	1		Hand Guards - Black
	0436-352	1		Hand/Thumb Warmers
	0436-504	1		Ice Auger Holder
	2256-944	1		Illustrated Parts Manual
	0436-463	1		Light Bar
	2256-937	1		Manuel d'utilisation (F)
	0436-473	1		Maxrack (3-Piece)
	2256-934	1		Operator's Manual (E)
	0436-475	1		Rack Basket
	0436-495	1		Rapid Blind (Break-Up)
	0436-496	1		Rapid Blind (Shadow Grass)
	0436-494	1	S	Rapid Shack (Blue Ice)
	0436-511	1		Rod Holder - Adjustable
	0436-386	1		Snowplow Attachment Kit
	0436-228	1		Snowplow Blade, 50 in. -
	0436-287	1		Snowplow Blade, 50 in. -
	0436-296	1		Snowplow Blade, 60 in. -
	0436-360	1		Snowplow Blade, 60 in. - One-Way
	0436-356	1	S	Snowplow, Push Frame
	0436-471	1		Speedclamp, Double
	0436-500	1		Sprayer System
	0436-508	1	S	Sprayer Boom (120 in.)
	0436-465	1		Table, Expansion
	1402-028	1		Tires, Tires AT589 (25x8-12, Mud & Snow)



2004 ATV 400 MANUAL TRANSMISSION 4X4 FIS CAT GREEN MRP (A2004IS146US) Page 65 of 97  
 RELATED ITEMS

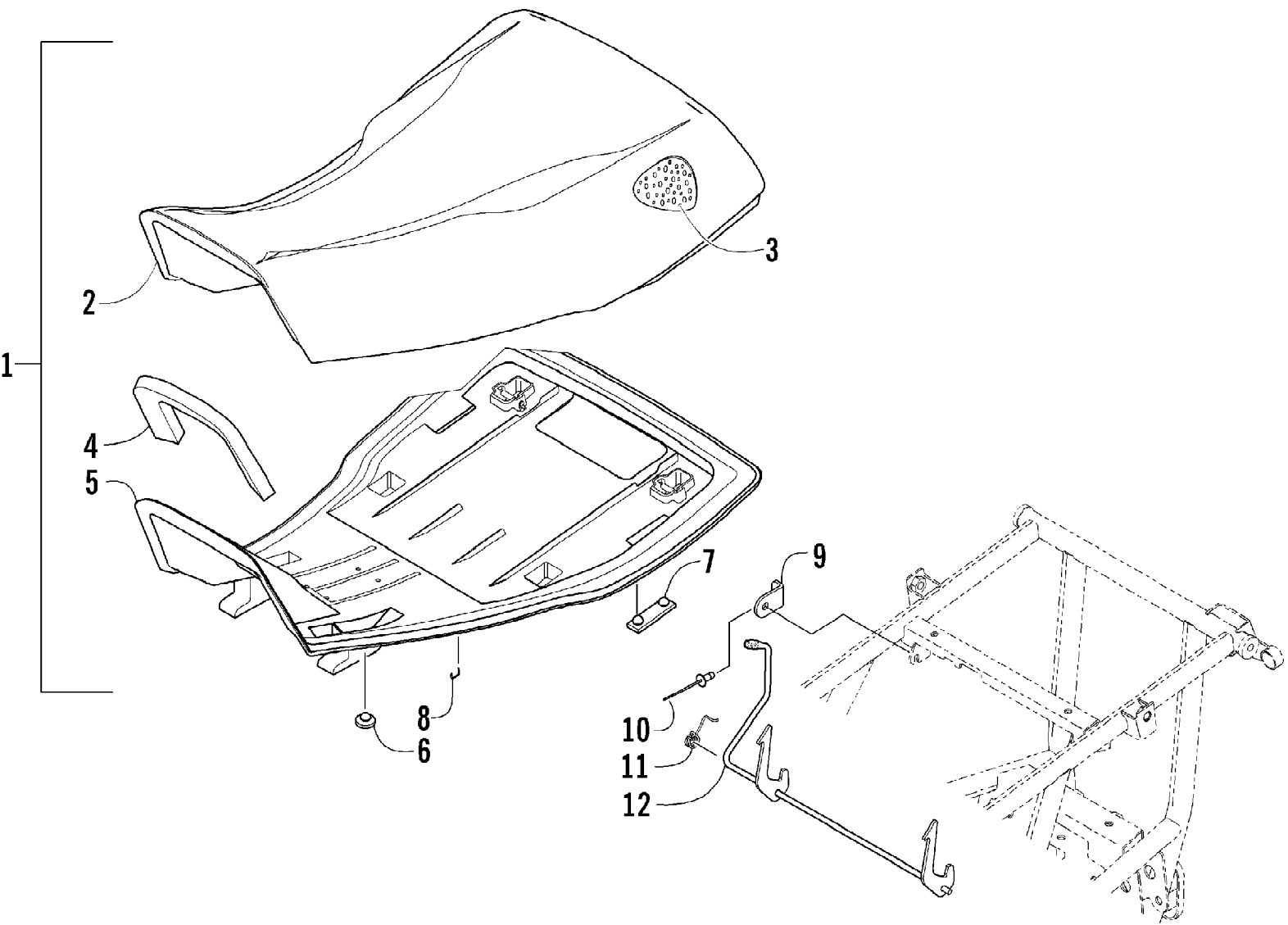
Ref #	Part Number	Qty	S/P/F	Description
	0402-563	1		Tire, Titan AT589 (25x10-12, Mud & Snow)
	0436-478	1		Tool Caddy
	0436-297	1		Tool Holder - Double
	0436-263	1	/P	Tool Holder - Single
	0436-468	1		Tree Stand/Bow Case Holder
	0436-329	1	S	Winch, 2500 lb
	0436-361	1		Winch Mounting Kit
	0436-301	1		Windshield, Clear w/Black Accent
	0436-470	1		Workbase (8 in.)

2004 ATV 400 MANUAL TRANSMISSION 4X4 FIS CAT GREEN MRP (A2004IS) Page 15 of 97  
REVERSE SHIFT LEVER ASSEMBLY



2004 ATV 400 MANUAL TRANSMISSION 4X4 FIS CAT GREEN MRP (A2004IS146US) of 97  
REVERSE SHIFT LEVER ASSEMBLY

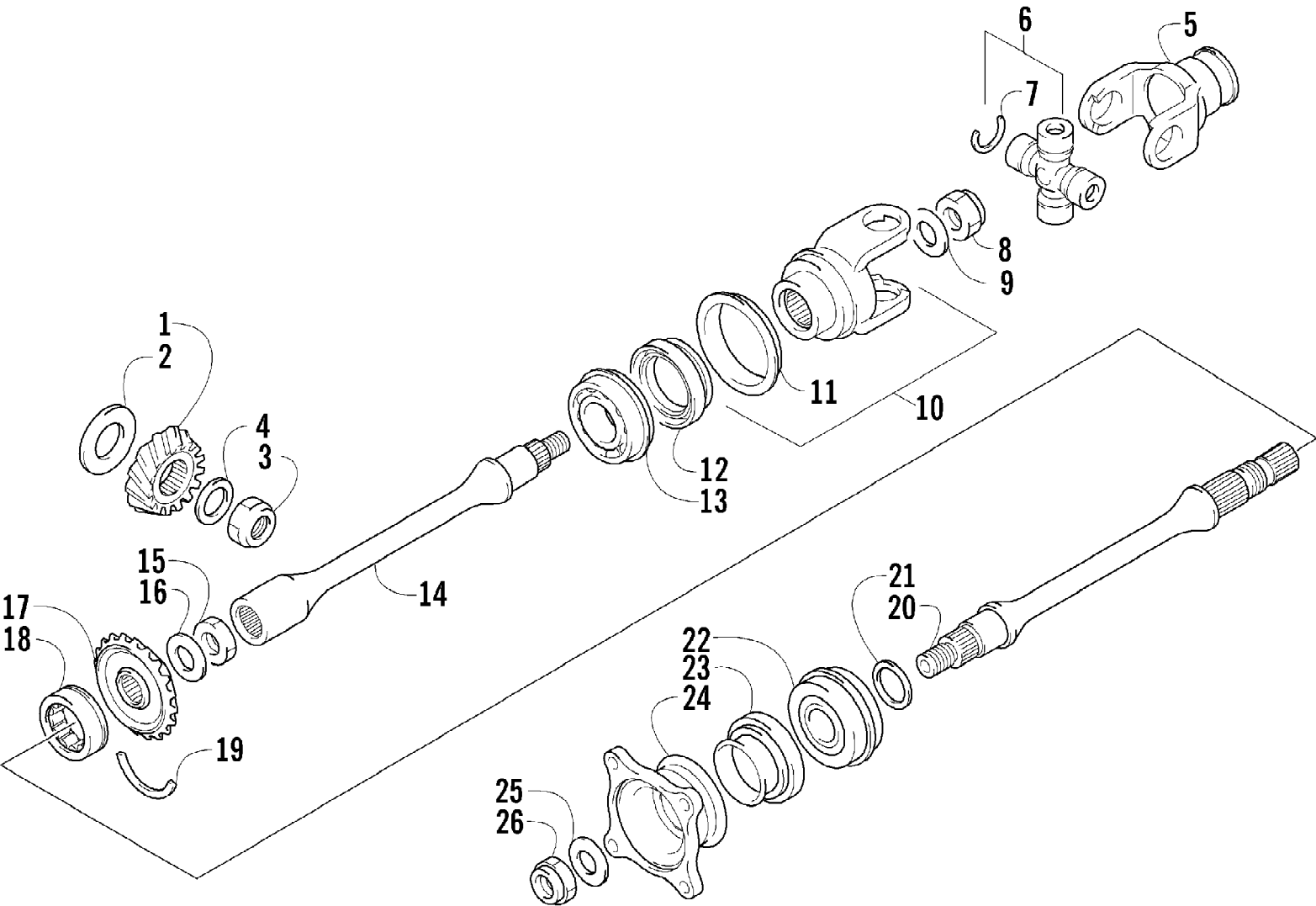
Ref #	Part Number	Qty	S/P/F	Description
1	0402-843	1	/P	Handle, Reverse Shift Lever
2	0423-345	1		Clip, Push
3	0402-983	1		Plate, Shift
4	0502-417	1		Lever, Shift
5	0502-410	1	S	Spring
6	8424-602	1	/P	Nut
7	0423-182	2	/P	O-Ring
8	0402-675	1		Axle, Pivot
9	0502-419	1		Axle, Reverse Shift Lever
10	0423-299	2	/P	O-Ring
11	0423-087	1		Washer
12	8408-812	1		Screw, Cap
13	0502-589	1		Linkage, Shift
14	0402-844	1		End, Rod
15	0623-294	2		Nut
16	0423-169	1	/P	E-Ring
17	3423-204	1	/P	Washer
18	0423-091	1		Bushing
19	0406-943	1		Shield, Linkage
20	0423-371	3		Screw, Machine
21	0623-309	1		Screw, Self-Tapping



2004 ATV 400 MANUAL TRANSMISSION 4X4 FIS CAT GREEN MRP (A2004IS146US) of 97  
SEAT ASSEMBLY

Ref #	Part Number	Qty	S/P/F	Description
1	0506-558	1		Seat Assembly (inc. 2-8)
2	0506-556	1		Cover, Seat
3	0506-555	1		Foam, Seat
4	1406-060	1		Foam, Sound
5	0406-878	1		Base, Seat Assembly (inc. 6-7)
6	0406-877	2	/P	Bumper, Seat - Front
7	0406-879	2		Bumper, Seat - Rear
8	0624-528	AR	/P	Staple
9	1406-087	1		Plate, Retainer
10	8060-284	1		Rivet
11	1406-371	1		Spring, Seat Latch
12	1506-217	1		Latch, Seat

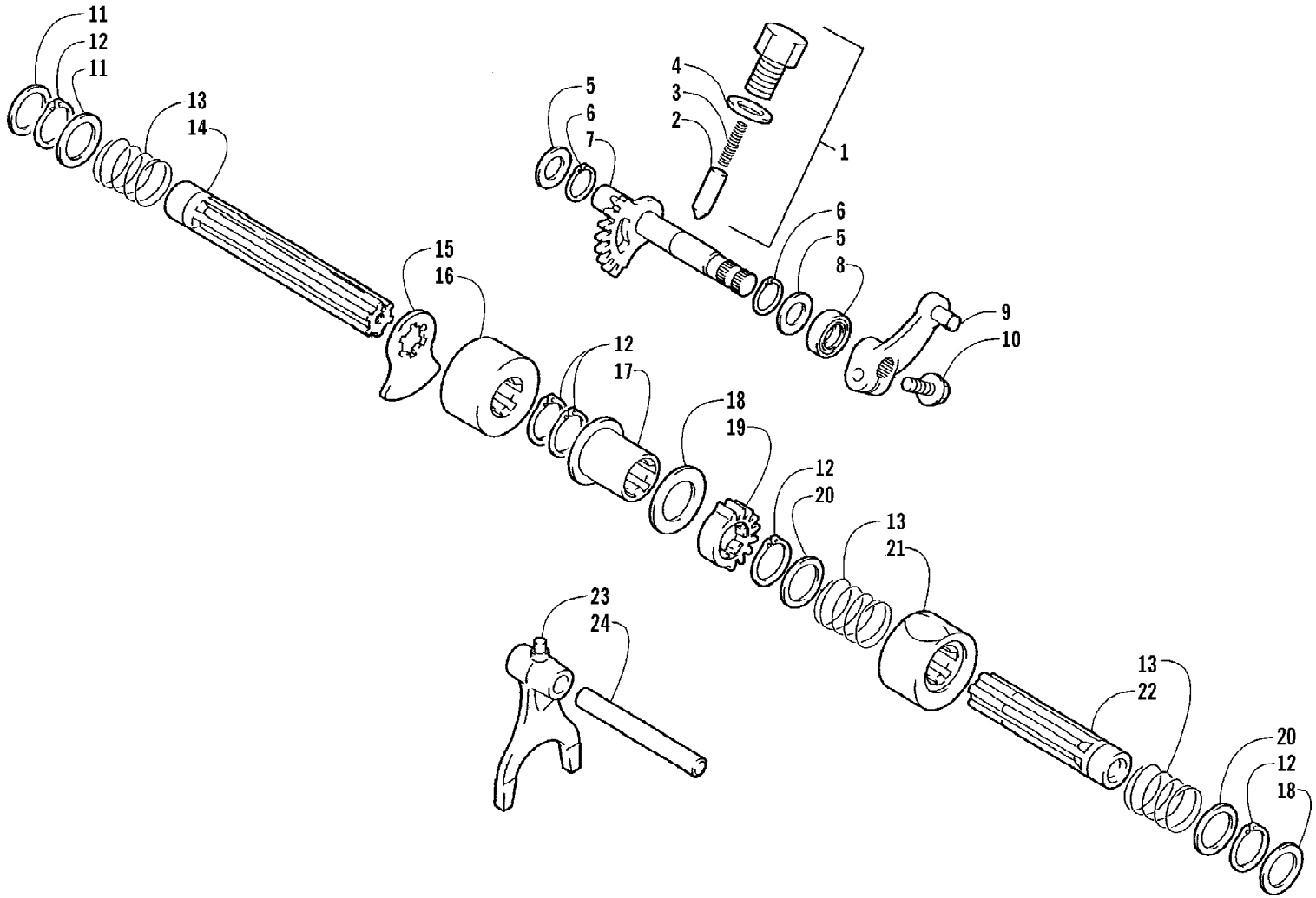
2004 ATV 400 MANUAL TRANSMISSION 4X4 FIS CAT GREEN MRP (A2004151) Page 13 of 97  
SECONDARY DRIVE ASSEMBLY



2004 ATV 400 MANUAL TRANSMISSION 4X4 FIS CAT GREEN MRP (A2004IS146) Page 15 of 97  
SECONDARY DRIVE ASSEMBLY

Ref #	Part Number	Qty	S/P/F	Description
1	3446-274	1	/P	Gear, Secondary Drive
2	3446-035	1		Shim, Secondary Drive Gear - Set
3	3423-023	1		Nut
4	3005-372	1		Washer
5	3446-327	1	/P	Yoke, Propeller Shaft
6	3402-562	1		Joint, Universal - Set (inc. 7)
7	3423-479	4		Circlip
8	3423-025	1		Nut, Yoke - Front
9	3423-028	1		Washer, Yoke - Front
10	3402-742	1		Yoke, Drive Output - Front (inc. 11)
11	3402-743	1		Plate, Drive Output Yoke
12	3402-072	1		Seal, Oil - Front Secondary Driven Shaft
13	3402-067	1	S	Bearing, Front Secondary Driven Shaft
14	3402-559	1		Shaft, Secondary Driven - Front
15	3423-136	1		Nut, Secondary Driven Gear
16	3423-520	1		Washer, Secondary Driven Gear
17	3446-222	1	/P	Gear, Secondary Driven
18	3402-515	1	/P	Bearing, Driven Gear
19	3423-072	1		C-Ring, Driven Bearing
20	3446-305	1		Shaft, Secondary Driven - Rear
21	3402-017	AR		Shim, 25 x 34 x 0.60 mm
21	3402-018	AR		Shim, 25 x 34 x 0.65 mm
21	3402-019	AR		Shim, 25 x 34 x 0.70 mm
21	3402-020	AR		Shim, 25 x 34 x 0.75 mm
21	3402-021	AR	S	Shim, 25 x 34 x 0.80 mm
21	3402-022	AR		Shim, 25 x 34 x 0.85 mm
21	3402-023	AR		Shim, 25 x 34 x 0.90 mm
21	3402-024	AR		Shim, 25 x 34 x 0.95 mm
21	3402-025	AR	S	Shim, 25 x 34 x 1.00 mm
21	3402-028	AR		Shim, 25 x 34 x 1.05 mm
21	3402-029	AR		Shim, 25 x 34 x 1.10 mm
21	3402-030	AR		Shim, 25 x 34 x 1.15 mm
21	3402-031	AR		Shim, 25 x 34 x 1.20 mm
22	3402-067	1	S	Bearing, Rear Secondary Driven Shaft
23	3402-072	1		Seal, Oil - Rear Secondary Driven Shaft
24	3402-514	1	/P	Flange, Output Joint - Rear
25	3423-028	1		Washer, Rear Output Flange
26	3423-025	1		Nut, Rear Output Joint

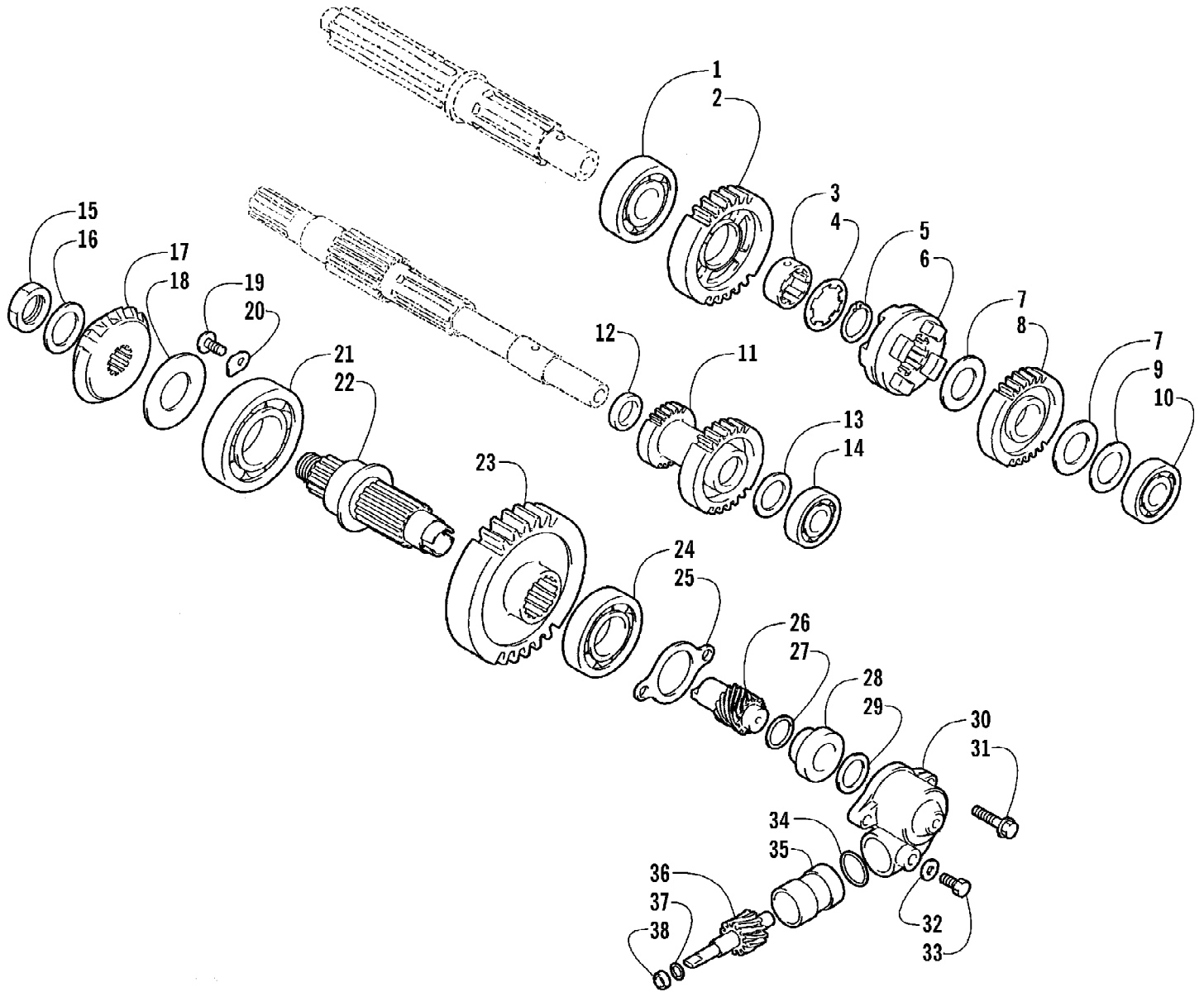
2004 ATV 400 MANUAL TRANSMISSION 4X4 FIS CAT GREEN MRP (A2004IS146US) of 97  
SECONDARY SHIFTING ASSEMBLY





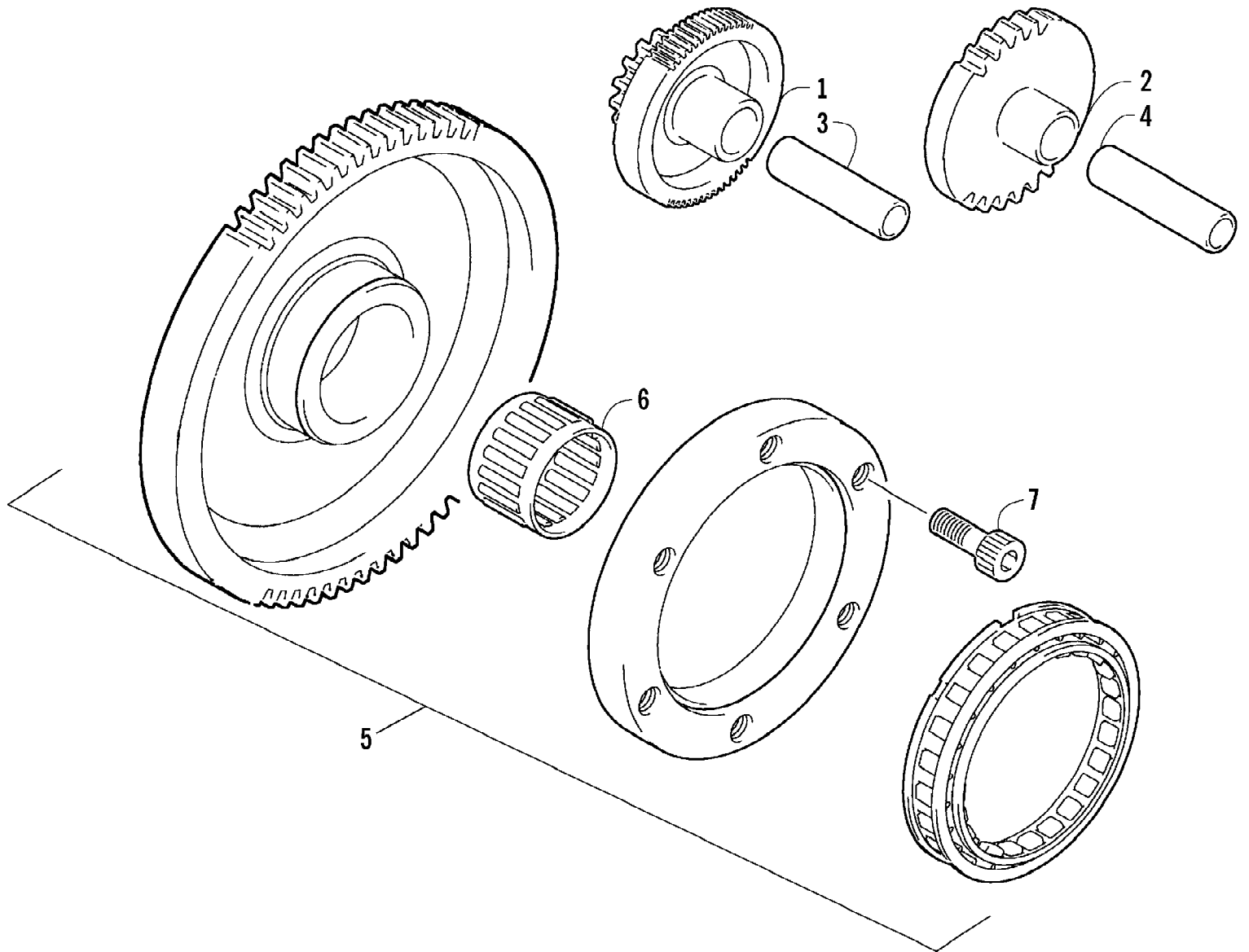
2004 ATV 400 MANUAL TRANSMISSION 4X4 FIS CAT GREEN MRP (A2004IS146) Page 15 of 97  
SECONDARY SHIFTING ASSEMBLY

Ref #	Part Number	Qty	S/P/F	Description
1	3446-314	1		Stopper, Gear Shift Cam (inc. 2-3)
2	3446-315	1		Stopper
3	3423-524	1		Spring
4	3402-012	1		Gasket
5	1691-043	2		Washer
6	3423-358	2	S	Circlip
7	3446-322	1		Shaft, Gear Shift
8	3402-076	1		Seal, Oil
9	3402-434	1	/P	Arm, Gear Shift
10	3004-341	1	S/P	Bolt, Gear Shift Arm
11	3423-527	2	/P	Washer
12	3423-190	5	S	Circlip
13	3423-526	3	/P	Spring
14	3446-325	1		Camshaft, Reverse
15	3446-324	1		Plate, Cam Lock
16	3446-323	1		Cam, Reverse
17	3446-321	1		Joint, Camshaft
18	3402-381	2	/P	Washer
19	3446-316	1		Gear, Camshaft
20	3423-533	2		Washer
21	3423-525	1		Cam
22	3446-320	1		Camshaft
23	3446-318	1		Fork, Gear Shift
24	3446-317	1		Shaft, Gear Shift Fork



2004 ATV 400 MANUAL TRANSMISSION 4X4 FIS CAT GREEN MRP (A2004IS146US) of 97  
SECONDARY TRANSMISSION ASSEMBLY

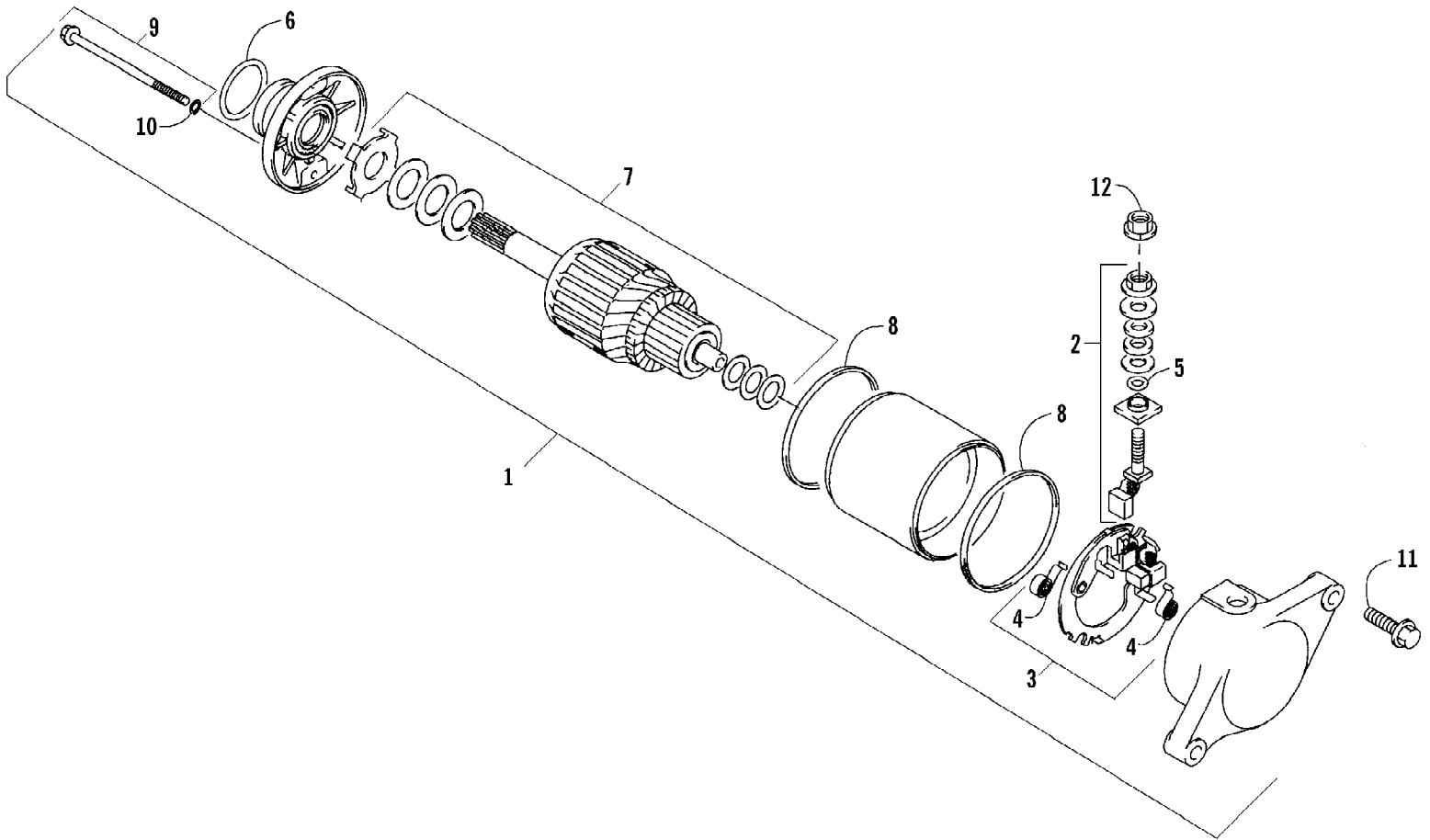
Ref #	Part Number	Qty	S/P/F	Description
1	3402-776	1		Bearing
2	3446-300	1		Gear, Drive - No. 1
3	3446-301	1		Bushing, Drive Gear No. 1
4	3423-036	1		Washer
5	3423-066	1	/P	Circlip
6	3446-249	1		Dog, Sliding
7	3423-126	2	/P	Washer
8	3446-302	1		Gear, Drive - No. 2
9	3423-519	1		Spacer, Drive Gear
10	3402-047	1	S	Bearing, Driveshaft
11	3446-299	1		Gear, Idle
12	3402-205	1		Spacer, Idle Gear
13	3423-319	1		Washer
14	3402-217	1		Bearing
15	3423-023	1		Nut, Secondary Drive Gear
16	3005-372	1		Washer, Secondary Drive Gear
17	3446-274	1	/P	Gear, Secondary Drive
18	3446-035	1		Shim, Secondary Drive Gear - Set
19	3423-370	2		Screw
20	3446-031	2	/P	Retainer, Output Shaft
21	3402-180	1	S	Bearing
22	3446-303	1		Shaft, Output
23	3446-304	1		Gear, Driven
24	3402-045	1	/P	Bearing
25	3446-244	1	/P	Gasket, Speedometer Housing
26	3446-060	1		Gear, Speedometer Drive
27	3423-145	1		Washer
28	3446-114	1	/P	Spacer, Speedometer Drive Gear
29	3423-146	1		Washer
30	3446-057	1		Housing, Speedometer
31	3423-346	2	S	Bolt
32	3402-009	1	/P	Washer
33	3423-143	1	S	Bolt
34	3423-056	1		O-Ring
35	3446-058	1		Sleeve
36	3446-061	1		Gear, Speedometer Driven
37	3423-144	1		Washer
38	3402-077	1		Seal, Speedometer Driven Gear



2004 ATV 400 MANUAL TRANSMISSION 4X4 FIS CAT GREEN MRP (A2004IS146US) of 97  
 STARTER CLUTCH ASSEMBLY

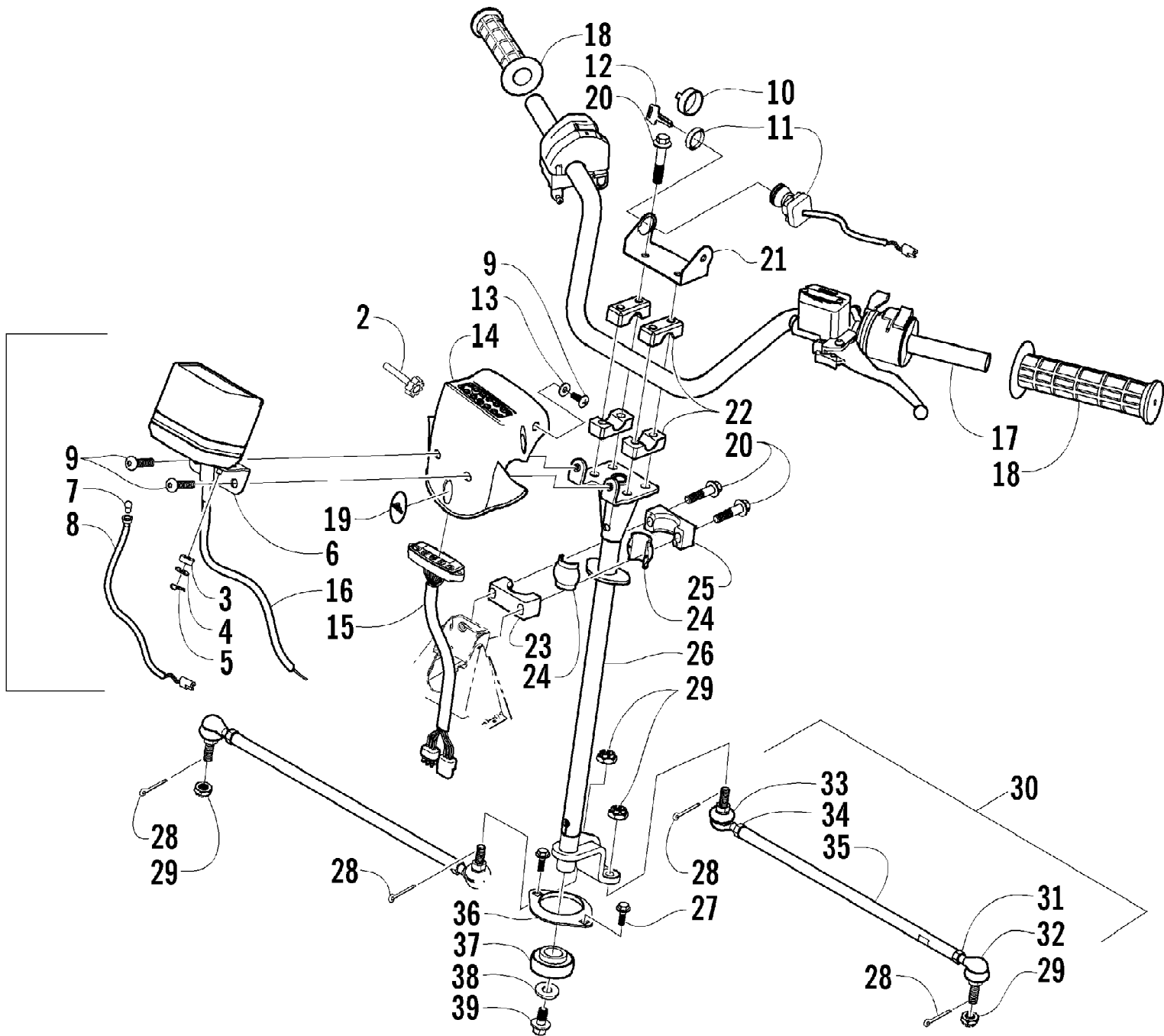
Ref #	Part Number	Qty	S/P/F	Description
1	3402-603	1		Gear, Starter Idler - No. 1
2	3402-124	1		Gear, Starter Idler - No. 2
3	3423-331	1		Pin, Starter Idler Gear No. 1
4	3423-397	1		Pin, Starter Idler Gear No. 2
5	3402-690	1	S	Clutch, Starter - Set (inc. 6)
6	3402-674	1		Bearing
7	3423-102	6	S	Bolt

2004 ATV 400 MANUAL TRANSMISSION 4X4 FIS CAT GREEN MRP (A2004IS146) of 97  
STARTER MOTOR ASSEMBLY



2004 ATV 400 MANUAL TRANSMISSION 4X4 FIS CAT GREEN MRP (A2004IS146US) Page 15 of 97  
STARTER MOTOR ASSEMBLY

Ref #	Part Number	Qty	S/P/F	Description
1	3545-016	1		Motor, Starter Assembly (inc. 2-10)
2	3402-671	1		Terminal Set, Brush
3	3402-672	1		Holder Set, Brush
4	3008-551	4		Spring, Brush
5	3008-164	1		O-Ring
6	3423-272	1		O-Ring
7	3008-099	1		Washer Set
8	3423-497	2		O-Ring
9	3423-498	2		Through-Bolt (inc. 10)
10	3423-496	2		O-Ring
11	3004-756	2	S	Bolt
12	3423-195	1	/P	Nut

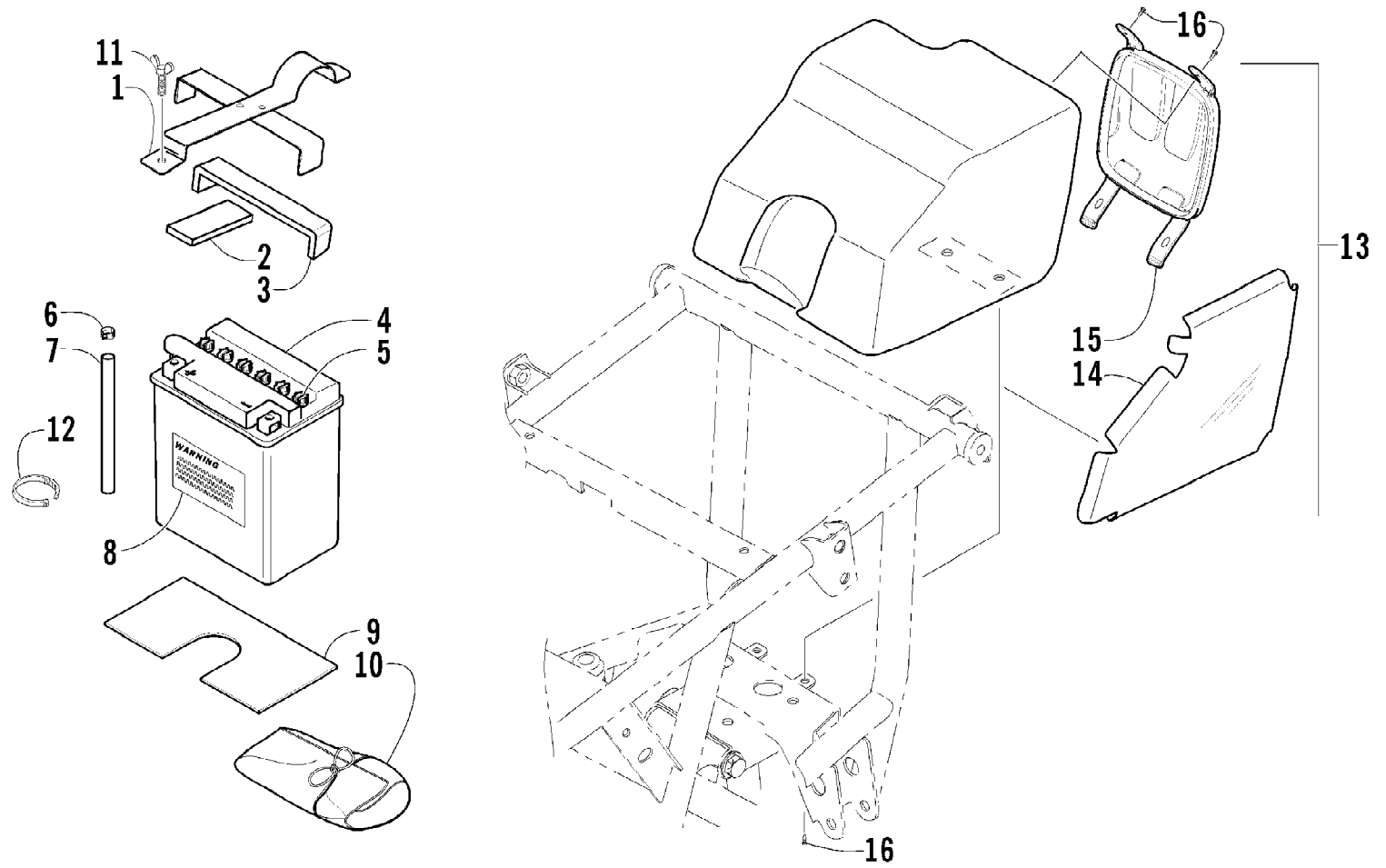




2004 ATV 400 MANUAL TRANSMISSION 4X4 FIS CAT GREEN MRP (A2004IS146) Page 15 of 97  
STEERING ASSEMBLY

Ref #	Part Number	Qty	S/P/F	Description
1	0420-031	1	/P	Speedometer (inc. 2-8)
2	0420-027	1		Knob, Speedometer Trip
3	0420-016	2		Mount, Rubber
4	0420-017	2		Washer
5	0420-015	2		Pin, Retainer
6	0420-018	1		Bracket, Speedometer
7	0620-149	1	/P	Bulb, Speedometer
8	0420-014	1		Harness, Speedometer
9	8477-616	3		Screw, Machine
10	0409-013	1		Cover, Key
11	3430-040	1		Switch, Ignition - Assembly (inc. 12)
12	3409-007	1	/P	Key, Ignition - Blank (C Series)
12	3409-011	1		Key, Ignition - Blank (D Series)
12	3409-012	1		Key, Ignition - Blank (E Series)
12	3409-013	1		Key, Ignition - Blank (F Series)
13	0423-052	1		Collar, Body
14	0405-063	1		Instrument Pod
15	0420-035	1	/P	Panel, LED
16	0487-026	1		Cable, Speedometer
17	0505-410	1		Tube, Handlebar
18	0405-106	2		Grip, Handlebar
19	0	1	F	Plug, Instrument Pod
20	8408-860	6		Screw, Cap
21	0506-348	1	/P	Bracket, Key Switch
22	0405-035	4		Cap, Steering Adjuster
23	0605-171	1		Housing, Bearing - Lower
24	0405-020	2		Bearing, Steering Post
25	0605-147	1	S	Housing, Bearing - Upper
26	0505-431	1	/P	Post, Steering
27	8408-816	2		Screw, Cap
28	0623-175	4		Pin, Cotter
29	0423-157	4		Nut, Top Lock
30	0505-408	2	S	Tie Rod, Assembly (inc. 31-35)
31	8420-002	2	/P	Nut - Right
32	0405-082	2	S	Ball Joint, Tie Rod - Right
33	0405-083	2	S	Ball Joint, Tie Rod - Left
34	0423-013	2		Nut - Left
35	0405-107	2	S	Tie Rod
36	0602-233	1		Flange, Bearing
37	0405-052	1		Bearing w/Inverted Oil Seal
38	0423-073	1		Washer
39	8409-020	1	/P	Screw, Cap

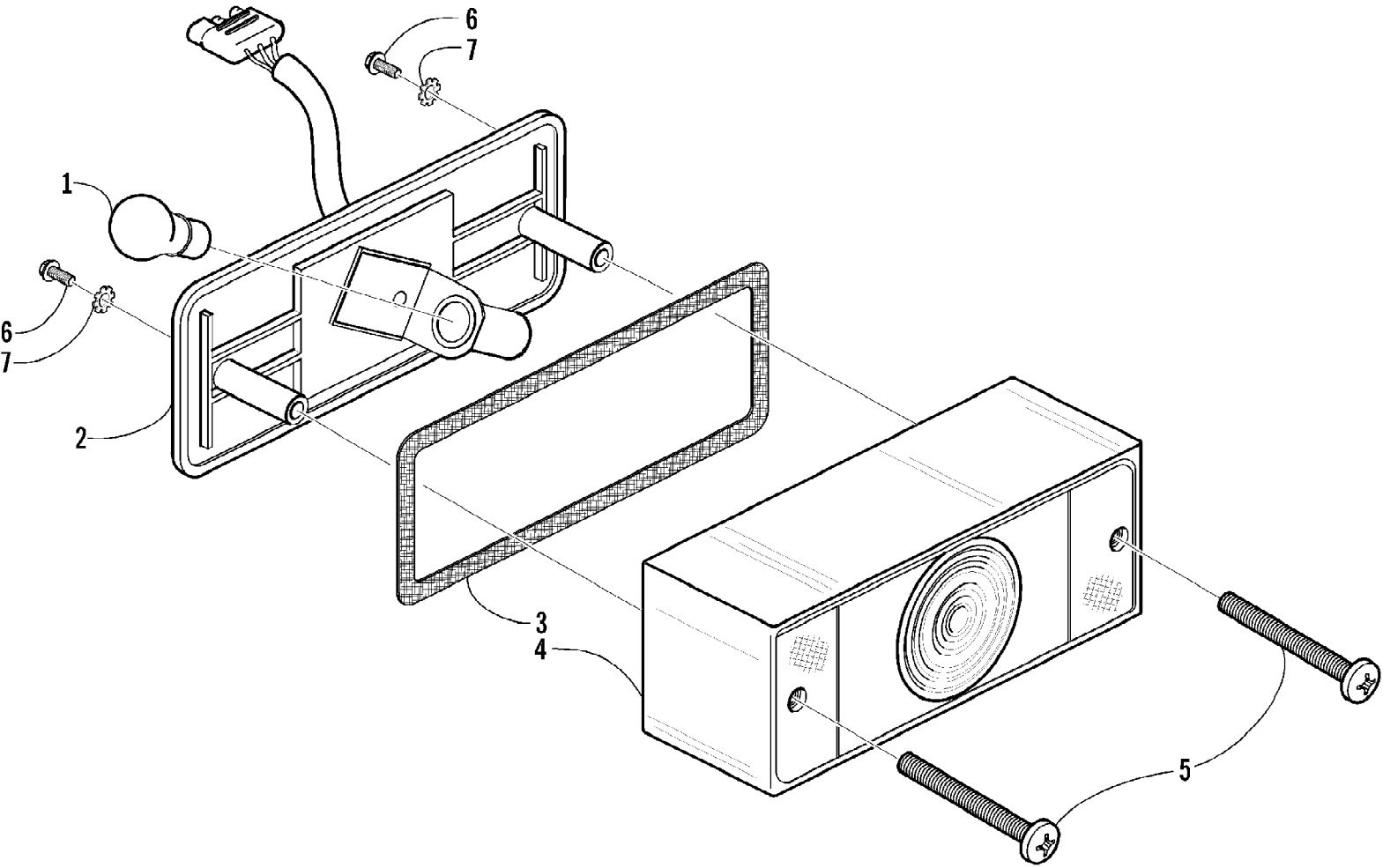
2004 ATV 400 MANUAL TRANSMISSION 4X4 FIS CAT GREEN MRP (A2004IS146US) of 97  
STORAGE BOX AND BATTERY ASSEMBLY



2004 ATV 400 MANUAL TRANSMISSION 4X4 FIS CAT GREEN MRP (A2004IS146USV) Page 15 of 97  
 STORAGE BOX AND BATTERY ASSEMBLY

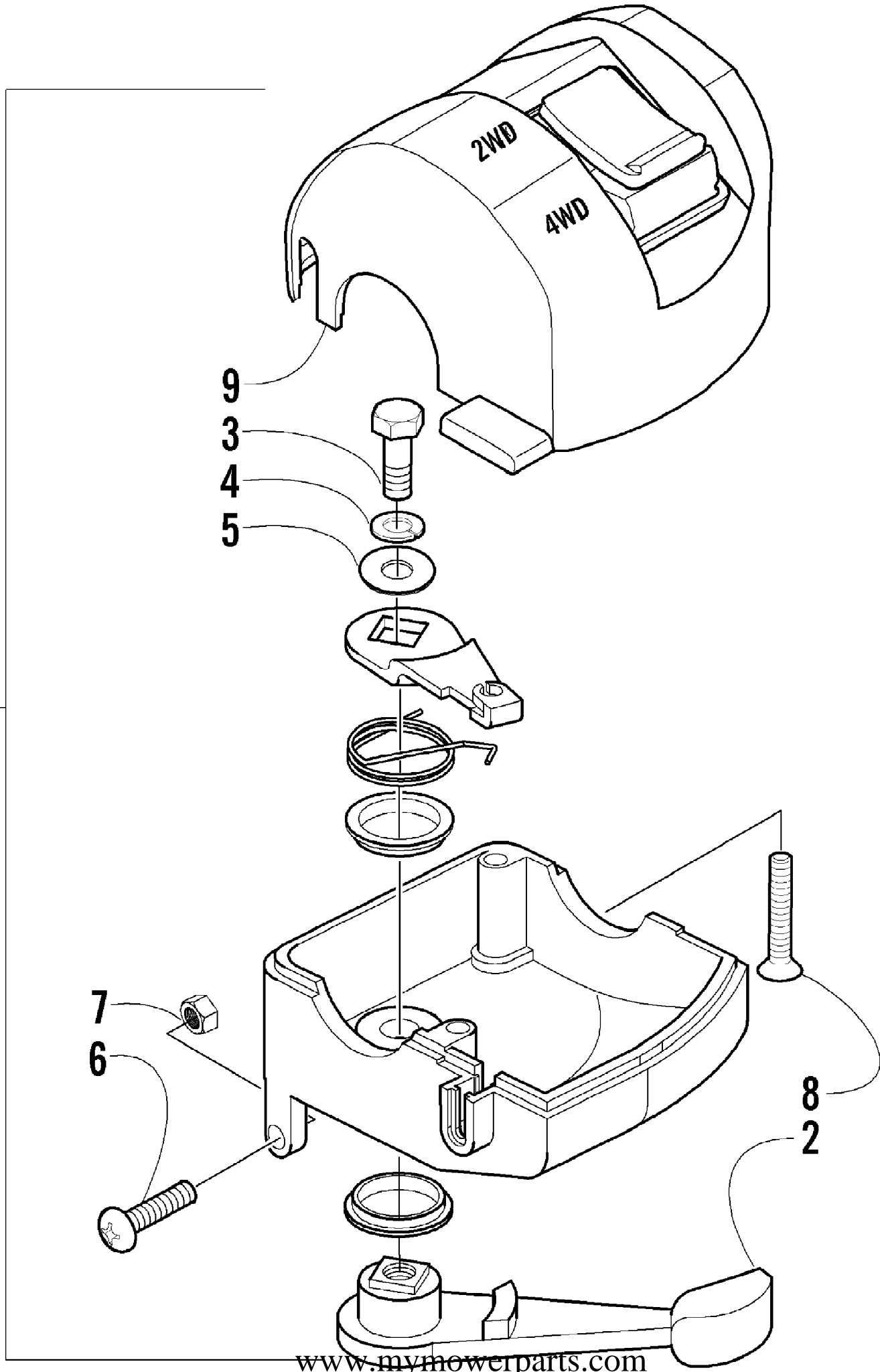
Ref #	Part Number	Qty	S/P/F	Description
1	0506-178	1		Strap, Battery w/Pads (inc. 2-3)
2	0406-288	1		Pad, Battery - Upper Front
3	0406-289	1		Pad, Battery - Upper Rear
4	0745-045	1	/P	Battery Assembly (inc. 5-8)
5	0645-045	6		Cap, Battery
6	0645-152	1		Clamp, Hose
7	0645-263	1	/P	Hose, Vent
8	0645-151	1		Label, Warning - Battery
9	0406-227	1		Pad, Battery - Lower
10	0444-122	1	S/P	Kit, Tool
11	0423-456	1	/P	Screw, Thumb
12	0123-903	2		Cable Tie - 11.5 in.
13	0506-797	1		Storage Box - Assembly (inc. 14)
14	1406-140	1		Shield, Heat
15	1406-078	1		Cover, Storage Box
16	0623-797	4		Screw, Self-Tapping

2004 ATV 400 MANUAL TRANSMISSION 4X4 FIS CAT GREEN MRP (A2004IS146US) of 97  
TAILLIGHT ASSEMBLY



2004 ATV 400 MANUAL TRANSMISSION 4X4 FIS CAT GREEN MRP (A2004IS146US) Page 97  
TAILLIGHT ASSEMBLY

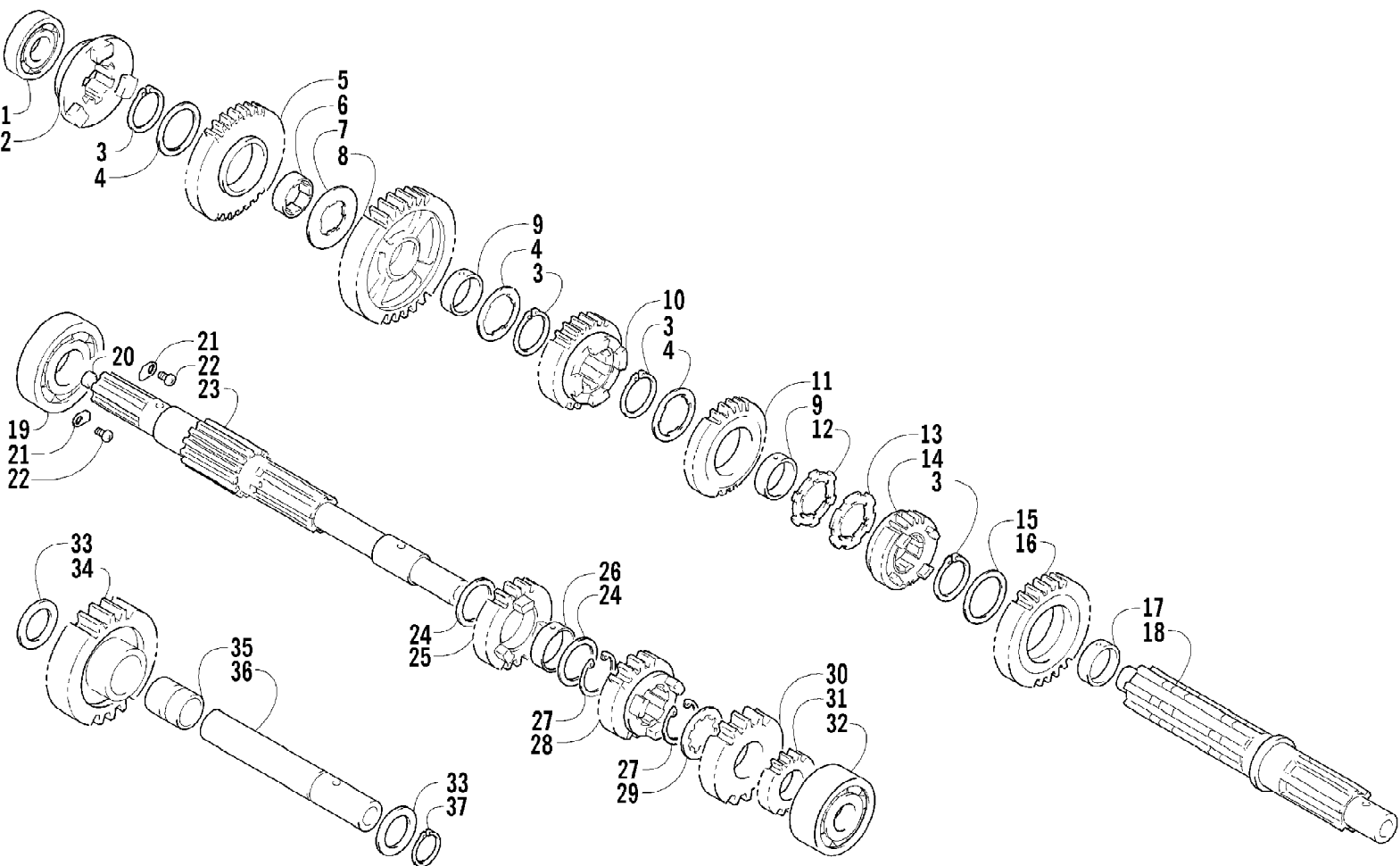
Ref #	Part Number	Qty	S/P/F	Description
	0409-002	1		Complete Taillight Assembly
1	0109-460	1	/P	Bulb, Stop/Taillight
2	0409-058	1		Taillight w/Socket Assembly
3	0409-012	1		Gasket, Taillight Lens
4	0409-007	1		Lens, Taillight
5	0409-010	2		Screw, Machine
6	0623-301	2	/P	Screw, Self-Tapping
7	8053-212	2	/P	Washer, Lock - External Tooth



2004 ATV 400 MANUAL TRANSMISSION 4X4 FIS CAT GREEN MRP (A2004IS146L31) Page 23 of 97  
THROTTLE CASE ASSEMBLY

Ref #	Part Number	Qty	S/P/F	Description
1	0509-012	1		Case, Throttle - Assembly (inc. 2-9)
2	3409-001	1		Lever
3	3004-533	1	S/P	Screw, Cap
4	3004-447	1	/P	Washer, Lock
5	3003-030	1	/P	Washer
6	3423-014	1		Screw
7	3423-327	1		Nut
8	3423-199	2		Screw
9	0409-048	1		Cover, Throttle w/Switch

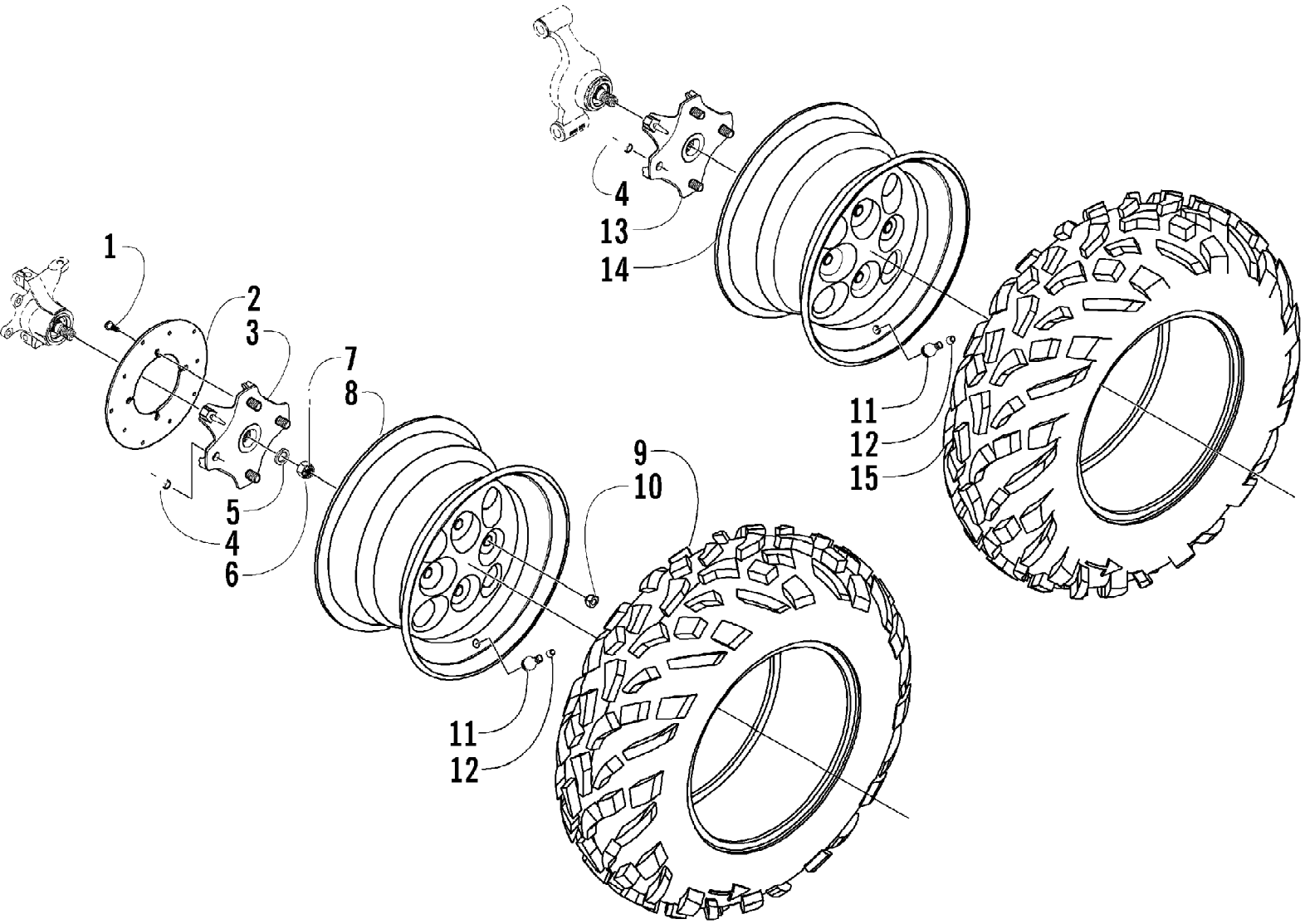
2004 ATV 400 MANUAL TRANSMISSION 4X4 FIS CAT GREEN MRP (A2004IS146) Page 92 of 97  
TRANSMISSION ASSEMBLY





2004 ATV 400 MANUAL TRANSMISSION 4X4 FIS CAT GREEN MRP (A2004IS146US) of 97  
 TRANSMISSION ASSEMBLY

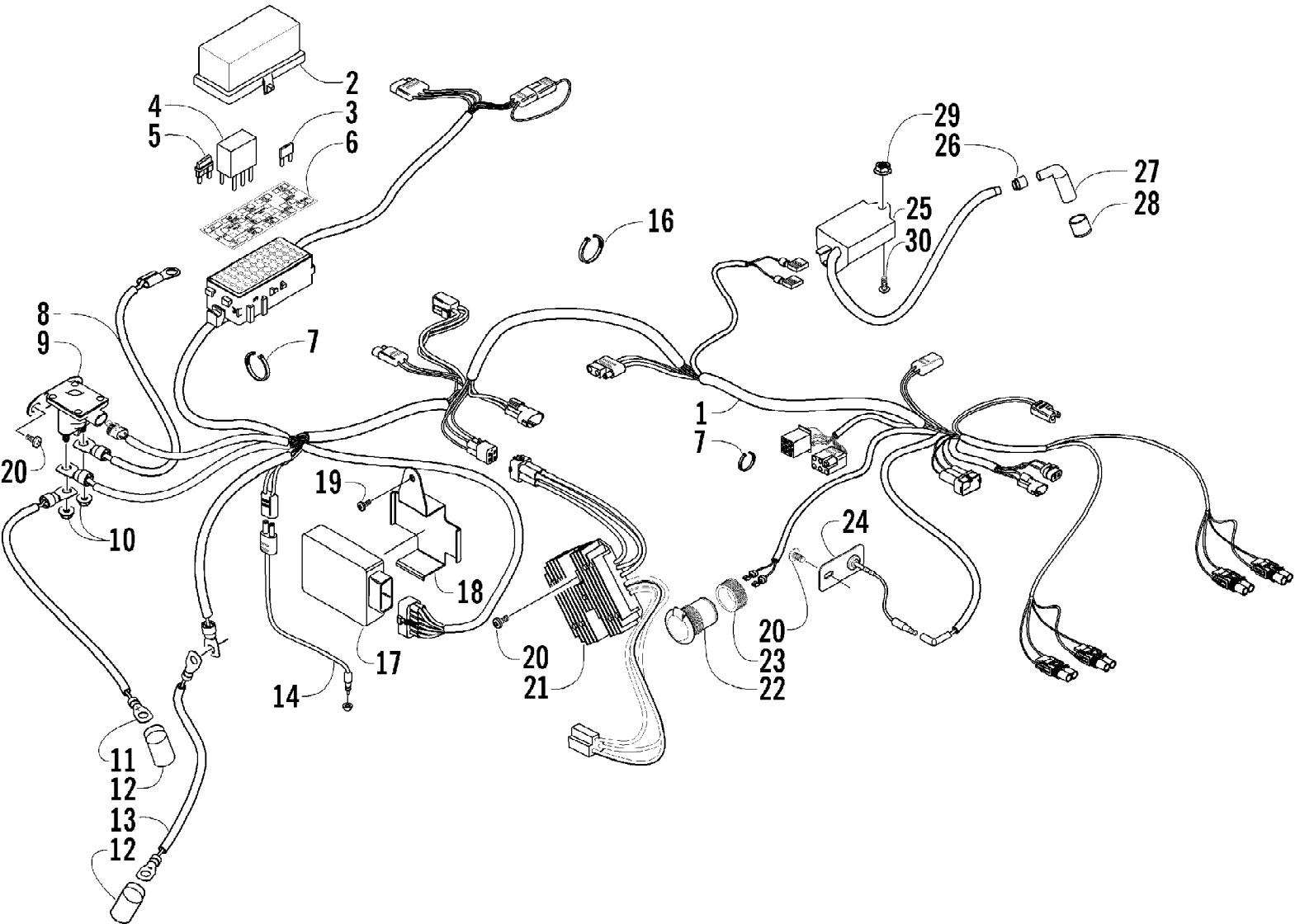
Ref #	Part Number	Qty	S/P/F	Description
1	3402-218	1		Bearing
2	3446-297	1		Dog, Reverse
3	3423-066	4	/P	Circlip
4	3423-036	3		Washer, Lock
5	3446-296	1		Gear, Reverse Driven
6	3446-145	1		Bushing
7	3423-263	1		Washer
8	3446-141	1		Gear, 1st Driven
9	3446-273	2	/P	Bushing
10	3446-146	1		Gear, 4th Driven
11	3446-143	1		Gear, 3rd Driven
12	3423-266	1		Washer, Lock
13	3423-262	1		Washer, Lock
14	3446-147	1		Gear, 5th Driven
15	3423-317	1		Washer
16	3446-142	1		Gear, 2nd Driven
17	3402-230	1		Bushing
18	3402-775	1		Driveshaft
19	0691-374	1		Bearing
20	3402-033	1		Plug, Countershaft
21	3446-031	2	/P	Retainer, Bearing
22	3423-370	2		Screw
23	3446-295	1	S	Countershaft
24	3402-210	2		Washer
25	3446-139	1		Gear, 4th Drive
26	3402-229	1		Bushing
27	3423-279	2		Circlip
28	3446-138	1		Gear, 3rd Drive
29	3423-261	1	S	Washer
30	3446-140	1		Gear, 5th Drive
31	3446-137	1		Gear, 2nd Drive
32	3402-224	1		Bearing
33	3402-209	2		Washer
34	3446-149	1		Gear, Reverse Idle
35	3402-228	1		Bushing
36	3446-298	1		Shaft, Reverse Idle
37	3423-518	1		Circlip



2004 ATV 400 MANUAL TRANSMISSION 4X4 FIS CAT GREEN MRP (A2004IS146US) Page 25 of 97  
 WHEEL AND TIRE ASSEMBLY

Ref #	Part Number	Qty	S/P/F	Description
1	0423-029	12		Screw, Machine
2	0402-874	3	S	Disc, Brake
3	0502-421	2	/P	Hub, Wheel - Front (inc. 4)
4	0402-974	16	/P	Stud, Wheel Hub
5	0402-181	4		Seal, Hub
6	0423-394	4		Nut, Castle
7	0423-407	4		Pin, Cotter
8	0402-856	2		Wheel - Front
9	1402-100	2		Tire - Front
10	0423-408	16	/P	Nut, Lug
11	0402-064	4		Stem, Valve (inc. 12)
12	0402-140	4		Cap, Valve Stem
13	0502-423	1	/P	Hub, Wheel - Rear - Left (inc. 4)
13	0502-421	1	/P	Hub, Wheel - Rear - Right (inc. 4)
14	0402-858	2		Wheel - Rear
15	1402-101	2		Tire - Rear

2004 ATV 400 MANUAL TRANSMISSION 4X4 FIS CAT GREEN MRP (A2004IS) Page 25 of 97  
WIRING HARNESS ASSEMBLY



2004 ATV 400 MANUAL TRANSMISSION 4X4 FIS CAT GREEN MRP (A2004IS146US) of 97  
WIRING HARNESS ASSEMBLY

Ref #	Part Number	Qty	S/P/F	Description
1	0486-116	1		Harness, Main (inc. 2-6 and two No. 7)
2	0530-008	1		Cover, Fuse Block
3	0430-034	2		Diode
4	0430-033	2	F	Relay
5	0430-032	5		Fuse - 10 Amp
5	0430-031	3		Fuse - 15 Amp
5	0430-030	2		Fuse - 30 Amp
6	0411-585	1		Decal, Fuse Block
7	0123-788	AR	/P	Cable Tie - 7.5 in.
8	0445-032	1		Cable, Solenoid/Starter
9	0645-414	1		Solenoid
10	0623-038	2		Nut w/Washer
11	0445-038	1	S	Cable, Battery/Solenoid
12	0645-019	2		Boot, Terminal
13	0445-037	1		Cable, Battery/Ground
14	0409-009	1		Switch, Brake - Assembly
15	0402-991	1		Retainer, Switch
16	0123-903	AR		Cable Tie - 11.5 in.
17	3402-785	1		CDI Unit
18	0506-985	1	/P	Bracket, CDI
19	8476-616	1		Screw, Machine
20	8476-625	5		Screw, Machine
21	3402-682	1		Regulator, Voltage
22	0445-022	1	S	Receptacle, 12V (inc. 23)
23	0445-034	1		Nut, Retainer
24	0509-011	1	S	Diode Assembly
25	3430-055	1		Coil, Ignition - Assembly
26	3430-009	1	/P	Seal, High Tension Wire
27	3430-007	1	/P	Cap, Spark Plug
28	3430-008	1	/P	Seal, Spark Plug
29	8424-602	2	/P	Nut
30	8476-620	1		Screw, Machine