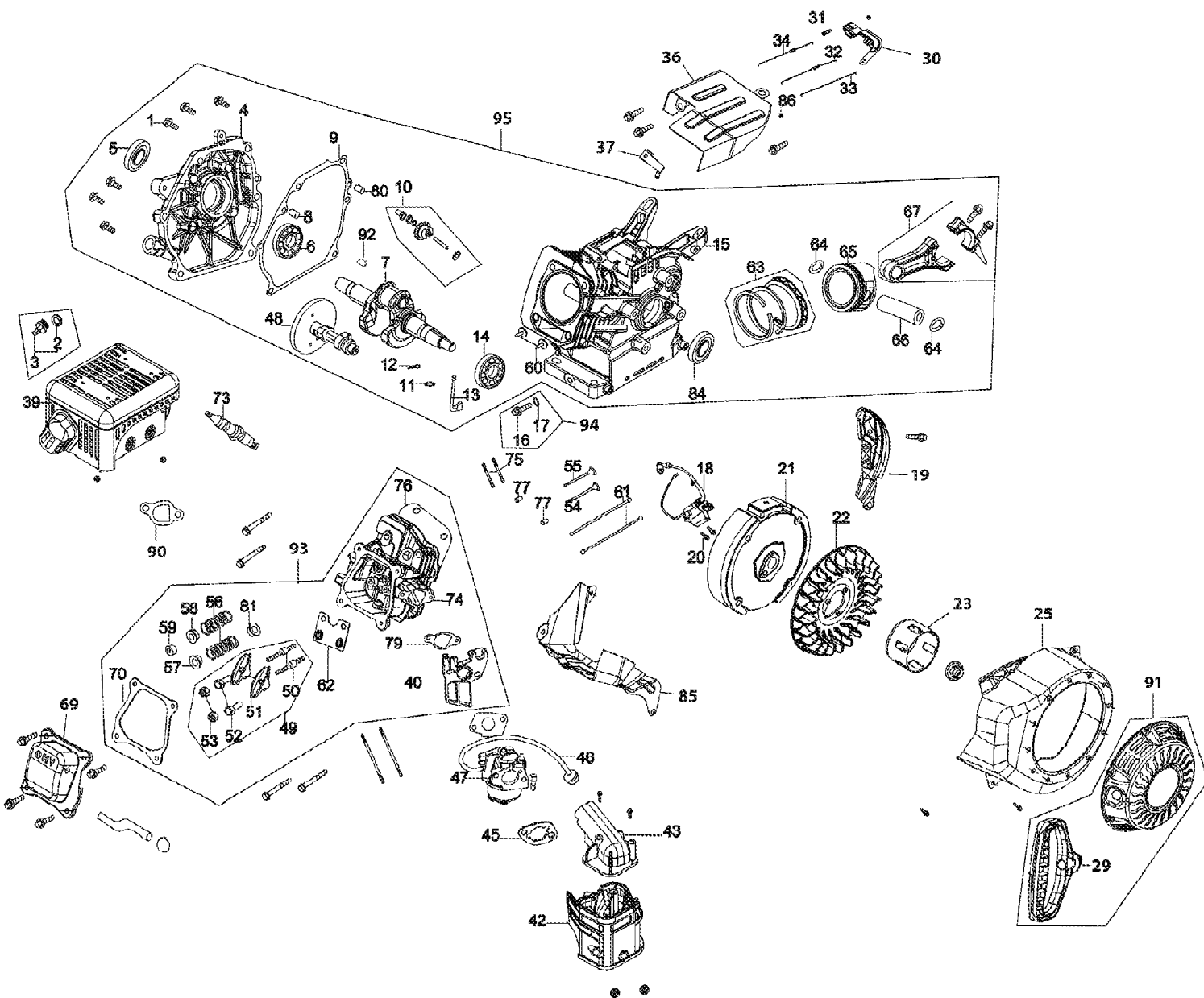


31A-2M1A897 (2009)  
Drive Assembly

Page 2 of 15

Ref #	Part Number	Qty	S/P/F	Description
1	751-10487	1	/P	Cap-Fuel
2	951-10023	1	/P	Fuel Tank 2 Quart
3	790-00134-0637	1	/P	Gas Tank Support Bracket
4	747-04236	1		Gas Tank Wire Support
5	726-0205	1	/P	Hose Clamp
6	751-10349	1		Fuel Line
7	712-04064	1	/P	Hex L-Flanged Nut 1/4-20 Gr. F Ny
8	710-0751	1	/P	Hex Bolt 1/4-20 x .62 Gr. 5
9	710-0654A	1	/P	Hex Wash HD Tap Scr 3/8-16 x .88
10	790-00216-0637	1	/P	Engine Bracket
11	726-0233	1	/P	Push Nut
12	926-0154	1	/P	Push Mount Tie
13	956-0416B	1	/P	Pulley Half .625 ID x 2.25 OD
14	736-0242	1	/P	Flat Washer .340 ID x .872 OD x .060
15	710-0627	1	/P	Hex L-Bolt 5/16-24 x .75 Gr. 5
16	756-04232	1		Pulley 1/2 x 6,0" OD
17	954-0101A	1	/P	V-Belt 1/2 x 35.0" Lg.
18	790-00045C-0606	1		Belt Cover
19	710-0653	1	/P	Hex Wash HD Tapp Scr 1/4-20 x .375
20	710-0896	1	/P	Hex B-Tap Scr 1/4-28 x .25" Lg
21	710-0599	1	/P	Hex Tap Scr. 1/4-14 x .5" Lg.
22	790-00249-0637	1	/P	Bearing Cup
23	741-04188A	1		Ball Bearing .625 x 37 x 12.63
24	712-04063	1	/P	Flange Locknut 5/16-18 Gr. F, Nylon
25	748-0234	1	/P	Shoulder Spacer .25 THK
26	790-00238A-0637	1	/P	Idler Bracket
27	684-04168	1		Idler Pulley Ass'y
28	750-04571	1		Shld. Spacer .260 x .785 x .538
29	710-0106	1	/P	Hex Screw 1/4-20 x 1.25 Gr. 5 Special
30	726-0299	1	/P	Push Cap x 1/2" Rod
31	738-0924A	1	/P	Hex Shld.Scr.1/4-28 x .375
32	756-0625	1		Cable Guide Roller
33	984-04253-0637	1	/P	Auger Assembly
34	750-04757	1		Auger Spacer LH
35	750-04758	1		Auger Spacer RH
36	710-0642	1	/P	Thd Forming Scr. 1/4-20 x .75 Lg.
37	936-0329	1	/P	L-Wash 1/4 ID
38	936-0176	1	/P	Flat Washer .25 ID x .93 OD x .125
39	932-0357A	1	/P	Extension Spring .33 x 1.12
40	712-0896	1		Hex Ins Jam L-Nut 1/4-28
41	684-04227-0606	1		Auger Assembly Housing
42	710-0896	1	/P	Hex Wash. Hd. TT Scr. 1/4-14 x .625
43	735-04033	1		Rubber Paddle
44	735-04032	1		Rubber Spiral-Crescent
45	734-04070	1	/P	Wheel, 7.0 x 1.6 Diamond
46	710-0409	1	/P	Hex Bolt 5/16-24 x 1.75
47	936-0119	1	/P	L-Wash 5/16 ID
48	750-04297B	1		Spacer .875 x .320 x 1.10



31A-2M1A897 (2009)  
Engine Assembly 161-JW

Page 4 of 15

Ref #	Part Number	Qty	S/P/F	Description
1	N/A	1		Bolt Furnish 951-10950 Short Block Assembly
1	N/A	1		Bolt Furnish 951-11095 Crankcase Cover Kit
2	951-10957	1	/P	Dipstick Assembly Incl Ref # 2 & 3
2	951-10957	1	/P	O-Ring Dipstick Furnish 951-10950 Short Block Assembly
2	951-10957	1	/P	O-Ring Furnish 951-10951 Gasket Kit - Complete
2	951-10957	1	/P	O-Ring Furnish 951-10952 Gasket Kit - External
3	N/A	1		Dipstick Assembly Furnish 951-11095 Crankcase Cover Kit
4	N/A	1		Crankcase Cover Furnish 951-10950 Short Block Assembly
4	N/A	1		Crankcase Cover Furnish 951-11095 Crankcase Cover Kit
5	N/A	1		Oil Seal Furnish 951-10950 Short Block Assembly
5	N/A	1		Oil Seal Furnish 951-11095 Crankcase Cover Kit
6	N/A	1		Bearing Furnish 951-10950 Short Block Assembly
6	N/A	1		Bearing Furnish 951-11096 Crankshaft Kit
6	N/A	1		Bearing Furnish 951-11095 Crankcase Cover Kit
7	N/A	1		Crankshaft Assembly Furnish 951-10950 Short Block Assembly
7	N/A	1		Crankshaft Assembly Furnish 951-11096 Crankshaft Kit
8	N/A	1		Dowel Pin Furnish 951-10950 Short Block Assembly
9	N/A	1		Case Cover Gasket Furnish 951-10950 Short Block Assembly
9	N/A	1		Crankcase Cover Gasket Furnish 951-10951 Gasket Kit - Complete
9	N/A	1		Case Cover Gasket Furnish 951-11095 Crankcase Cover Kit
10	N/A	1		Governor Assembly Furnish 951-10950 Short Block Assembly
11	N/A	1		O-Ring Gov. Shaft Furnish 951-10950 Short Block Assembly
11	N/A	1		O-Ring, 5.2 x 1.9 Furnish 951-10951 Gasket Kit - Complete

31A-2M1A897 (2009)  
Engine Assembly 161-JW

Page 5 of 15

Ref #	Part Number	Qty	S/P/F	Description
12	N/A	1		Pin Lock Furnish 951-10950 Short Block Assembly
13	N/A	1		Governor Arm Shaft Furnish 951-10950 Short Block Assembly
14	N/A	1		Bearing Furnish 951-10950 Short Block Assembly
14	N/A	1		Bearing Furnish 951-11096 Crankshaft Kit
14	N/A	1		Bearing Furnish 951-11097 Crankcase Kit
15	N/A	1		Crankcase Complete Furnish 951-10950 Short Block Assembly
15	N/A	1		Crankcase Complete Furnish 951-11097 Crankcase Kit
16	951-10370	1	/P	Oil Drain Plug and Washer Assembly Incl Ref # 16 & 17
16	951-10370	1	/P	Oil Drain Plug Furnish 951-10950 Short Block Assembly
16	951-10370	1	/P	Oil Drain Plug Furnish 951-10370 Oil Drain Plug & Washer Assy
17	N/A	1		Oil Drain Plug Washer Furnish 951-10950 Short Block Assembly
17	N/A	1		Oil Drain Plug Washer Furnish 951-10370 Oil Drain Plug & Washer Assy
17	N/A	1		Washer, 10 x 16 x 1.5 Furnish 951-10951 Gasket Kit - Complete
17	N/A	1		Washer, 10 x 16 x 1.5 Furnish 951-10952 Gasket Kit - External
18	951-10958	1	/P	Ignition Coil
19	951-11102	1	/P	Flywheel Baffle
21	951-10908	1	/P	Flywheel
22	951-10910	1	/P	Cooling Fan
23	951-10911	1	/P	Starter Cup
25	951-11107	1	/P	Fan Cover
29	731-05696	1		Recoil Starter Handle
30	951-11106	1	/P	Governor Arm Bracket
32	951-10954	1	/P	Throttle Return Spring
33	951-11152	1	/P	Governor Rod
34	951-10953	1	/P	Governor Return Spring
36	951-11103	1	/P	Cover Shield
37	951-11104	1	/P	Governor Spring Bracket
39	951-10901	1	/P	Muffler Assembly
40	N/A	1		Carburetor Insulator Plate Furnish 951-10950 Short Block Assembly
40	N/A	1		Carburetor Insulator Furnish 951-10949 Cylinder Head Assembly
41	712-04212	1	/P	Nut
42	951-10962	1	/P	Permanence Box Base

31A-2M1A897 (2009)  
Engine Assembly 161-JW

Page 6 of 15

Ref #	Part Number	Qty	S/P/F	Description
43	951-10961	1	/P	Intake Heater Box
45	N/A	1		Heat Pipe Intake Gasket Furnish 951-10950 Short Block Assembly
45	N/A	1		Carburetor Gasket Furnish 951-10951 Gasket Kit - Complete
45	N/A	1		Carburetor Gasket Furnish 951-10952 Gasket Kit - External
46	951-10639	1	S	Primer
47	951-10956	1	S	Carburetor Assembly
48	N/A	1		Camshaft Assembly Furnish 951-10950 Short Block Assembly
49	N/A	1		Rocker Arm & Bolt Assembly (Incl. 50-53) Furnish 951-10949 Cylinder Head Assembly
50	N/A	1		Pivot Bolt Furnish 951-10949 Cylinder Head Assembly
50	753-06132	1	S	Push Rod-Rocker Arm Service Kit Not Shown includes Push Rods, Rocker Arms, Rocker Studs, Valve Adjusting Nuts, Locking Pivot Nuts, Valve Cover Gasket, Push Rod Guide
51	N/A	1		Rocker Arm Furnish 951-10949 Cylinder Head Assembly
51	753-06132	1	S	Push Rod-Rocker Arm Service Kit Not Shown includes Push Rods, Rocker Arms, Rocker Studs, Valve Adjusting Nuts, Locking Pivot Nuts, Valve Cover Gasket, Push Rod Guide
52	N/A	1		Valve Adjusting Nut Furnish 951-10949 Cylinder Head Assembly
52	753-06132	1	S	Push Rod-Rocker Arm Service Kit Not Shown includes Push Rods, Rocker Arms, Rocker Studs, Valve Adjusting Nuts, Locking Pivot Nuts, Valve Cover Gasket, Push Rod Guide
53	N/A	1		Pivot Locking Nut Furnish 951-10949 Cylinder Head Assembly
53	753-06132	1	S	Push Rod-Rocker Arm Service Kit Not Shown includes Push Rods, Rocker Arms, Rocker Studs, Valve Adjusting Nuts, Locking Pivot Nuts, Valve Cover Gasket, Push Rod Guide
54	951-10912	1	/P	Valve Kit Incl Ref # 54 & 55
56	N/A	1		Valve Spring Furnish 951-10949 Cylinder Head Assembly
57	N/A	1		Intake Valve Spring Seat Furnish 951-10949 Cylinder Head Assembly
58	N/A	1		Exhaust Valve Spring Seat Furnish 951-10949 Cylinder Head Assembly

31A-2M1A897 (2009)  
Engine Assembly 161-JW

Page 7 of 15

Ref #	Part Number	Qty	S/P/F	Description
59	N/A	1		Exhaust Valve Adjuster Furnish 951-10949 Cylinder Head Assembly
60	N/A	1		Valve Lifter Furnish 951-10950 Short Block Assembly
61	951-10913	1	/P	Push Rod Kit
61	753-06132	1	S	Push Rod-Rocker Arm Service Kit Not Shown includes Push Rods, Rocker Arms, Rocker Studs, Valve Adjusting Nuts, Locking Pivot Nuts, Valve Cover Gasket, Push Rod Guide
62	N/A	1		Push Rod Guide Plate Furnish 951-10949 Cylinder Head Assembly
62	753-06132	1	S	Push Rod-Rocker Arm Service Kit Not Shown includes Push Rods, Rocker Arms, Rocker Studs, Valve Adjusting Nuts, Locking Pivot Nuts, Valve Cover Gasket, Push Rod Guide
63	N/A	1		Piston Ring Set - OIL Furnish 951-10950 Short Block Assembly
64	N/A	1		Piston Pin Clip Furnish 951-10950 Short Block Assembly
65	N/A	1		Piston Furnish 951-10950 Short Block Assembly
66	N/A	1		Piston Pin Furnish 951-10950 Short Block Assembly
67	N/A	1		Connecting Rod Complete Furnish 951-10950 Short Block Assembly
69	951-11054	1	/P	Valve Cover
69	951-11054	1	/P	Valve Cover
70	N/A	1		Valve Cover Gasket Furnish 951-10950 Short Block Assembly
70	N/A	1		Valve Cover Gasket Furnish 951-10949 Cylinder Head Assembly
70	N/A	1		Valve Cover Gasket Furnish 951-10951 Gasket Kit - Complete
70	N/A	1		Valve Cover Gasket Furnish 951-10952 Gasket Kit - External
70	N/A	1		Valve Cover Gasket
70	753-06132	1	S	Push Rod-Rocker Arm Service Kit Not Shown includes Push Rods, Rocker Arms, Rocker Studs, Valve Adjusting Nuts, Locking Pivot Nuts, Valve Cover Gasket, Push Rod Guide
73	951-10292	1	/P	Spark Plug
74	N/A	1		Cylinder Head - Complete Furnish 951-10949 Cylinder Head Assembly
75	951-10657	1	/P	Muffler Stud Assembly

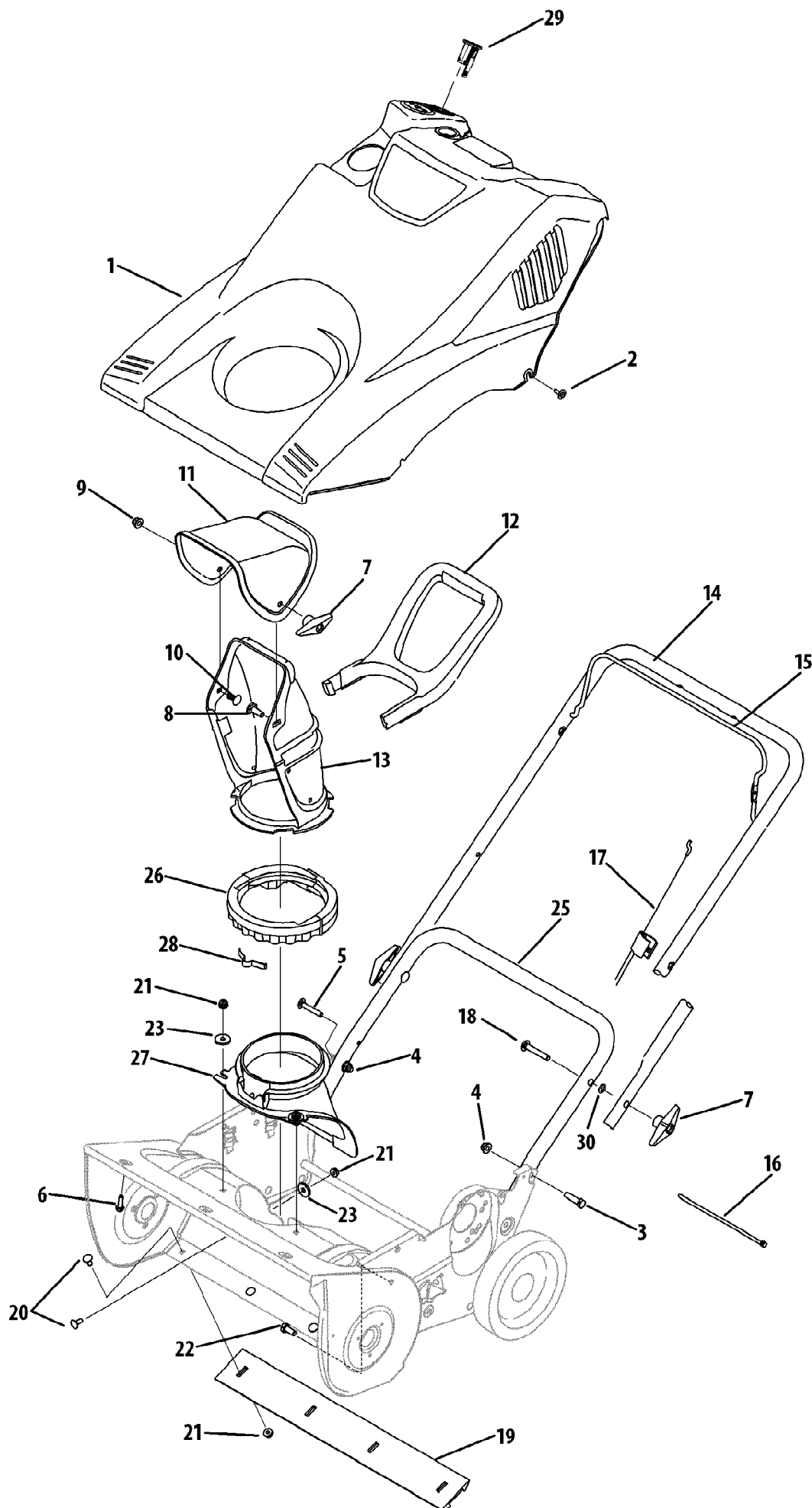
Ref #	Part Number	Qty	S/P/F	Description
76	N/A	1		Cylinder Head Gasket (graphite) Furnish 951-10950 Short Block Assembly
76	N/A	1		Cylinder Head Gasket Furnish 951-10949 Cylinder Head Assembly
76	N/A	1		Cylinder Head Gasket Furnish 951-10951 Gasket Kit - Complete
77	715-04090	1		Dowel Pin 10x16
79	N/A	1		Carburetor Insulator Plate Gasket Furnish 951-10950 Short Block Assembly
79	N/A	1		Carburetor Insulator Gasket Furnish 951-10949 Cylinder Head Assembly
79	N/A	1		Carburetor Insulator Gasket Furnish 951-10951 Gasket Kit - Complete
79	N/A	1		Carburetor Insulator Gasket Furnish 951-10952 Gasket Kit - External
80	N/A	1		Dowel Pin Furnish 951-10950 Short Block Assembly
81	N/A	1		Packing Furnish 951-10951 Gasket Kit - Complete
84	N/A	1		Oil Seal Furnish 951-10950 Short Block Assembly
84	N/A	1		Oil Seal, 22 x 35 x 7 Furnish 951-10951 Gasket Kit - Complete
84	N/A	1		Oil Seal Furnish 951-11097 Crankcase Kit
85	951-11105	1	/P	Side Plate
90	951-10959	1	/P	Muffler Gasket
90	951-10959	1	/P	Muffler Gasket Furnish 951-10950 Short Block Assembly
90	951-10959	1	/P	Muffler Gasket Furnish 951-10951 Gasket Kit - Complete
90	951-10959	1	/P	Muffler Gasket Furnish 951-10952 Gasket Kit - External
91	951-10955	1	/P	Recoil Starter Assembly
92	951-10307	1	/P	Flywheel Key
92	951-10307	1	/P	Flywheel Key Furnish 951-11096 Crankshaft Kit
93	951-10949	1	/P	Cylinder Head Assembly Includes Ref # 90, 70, 49, 50, 51, 52, 53, 56, 57, 58, 59, 62, 40, 79, 74, 76
94	951-10370	1	/P	Oil Drain Plug and Washer Assembly Includes Ref # 16 & 17



31A-2M1A897 (2009)  
Engine Assembly 161-JW

Page 9 of 15

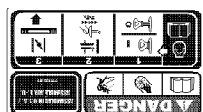
Ref #	Part Number	Qty	S/P/F	Description
95	951-10950	1	/P	Short Block Assembly Includes Ref # 15, 4, 65, 63, 66, 64, 67, 60, 48, 79, 7, 40, 90, 13, 12, 10, 9, 76, 45, 70, 16, 17, 8, 80, 6, 14, 1, 5, 84, 2, 11
	731-05632	1		Ignition Key Not Shown
	951-11097	1	/P	Crankcase Kit Not Shown - Includes Ref # 14, 15, 84
	951-10948	1	/P	Carburetor Repair Kit - Major Not shown
	951-10951	1	/P	Gasket Kit - Complete Not Shown - Includes Ref # 2, 9, 11, 84, 17, 76, 90, 70, 79, 81, 45
	951-10952	1	/P	Gasket Kit - External Not Shown - Includes Ref # 2, 17, 90, 70, 79, 45
	951-11063	1	/P	Valve Cover Kit Not Shown Incl Ref # 69 & 70
	951-11095	1	/P	Crankcase Cover Kit Not Shown Includes Ref # 1, 2, 3, 4, 5, 6, 9
	951-11096	1	/P	Crankshaft Kit Not Shown Includes Ref # 6, 7, 14, & 92
	951-11102	1	/P	Oil Alert Side Plate Not Shown
	753-06132	1	S	Push Rod-Rocker Arm Service Kit Not Shown includes Push Rods, Rocker Arms, Rocker Studs, Valve Adjusting Nuts, Locking Pivot Nuts, Valve Cover Gasket, Push Rod Guide
	952Z161-JW	1	/P	Complete Engine Not Shown



31A-2M1A897 (2009)  
General Assembly

Page 11 of 15

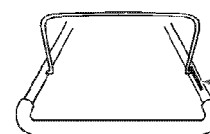
Ref #	Part Number	Qty	S/P/F	Description
1	684-04236A	1		Shroud
2	710-04669	1		Hex Wash B-Tapp Scr #10-16 x .62" Lg.
3	710-1090	1	/P	Hex Scr. .312-18 x 1.250
4	712-04063	1	/P	Flange Locknut 5/16-18 Gr. F, Nylon
5	710-1882	1		Hex Scr. 5/16-18 x 1.50 Gr. 5
6	710-0895	1		Hex Tapp Scr 1/4 x .75" Lg.
7	720-04072A	1	/P	Handle Knob Assembly
8	710-04071	1		Carriage Screw 5/16-18 x 1.0
9	712-04063	1	/P	Flange Locknut 5/16-18 Gr. F, Nylon
10	710-0451	1	/P	Carriage Bolt 5/16-18 x .75
11	731-04426A	1	/P	Upper Chute
12	731-04388A	1		Chute Handle
13	931-04127	1	/P	Lower Chute 5" Dia
14	749-04459-0637	1	/P	Upper Handle
15	747-04165-0637	1	/P	Bail Control
16	725-0157	1	/P	Cable Tie
17	746-04237	1		Control Cable
18	710-04532	1		Carriage Bolt 5/16-18 x 2.0
19	731-1033	1	/P	Shave Plate
20	710-0134	1	/P	Carriage Bolt 1/4-20 x .62
21	712-04064	1	/P	Hex L-Flanged Nut 1/4-20 Gr. F Nylon
22	710-3008	1	/P	Hex Bolt 5/16-18 x .75" Lg. Gr. 5
23	936-0176	1	/P	Flat Washer .25 ID x .93 OD x .125
24	750-04297B	1		Spacer .875 x .320 x 1.027
25	749-04114B-0637	1	/P	Lower Handle
26	931-04353	1	/P	Ring-Lower Chute
27	931-04886	1	/P	Chute Adapter 5" Dia
28	932-04111	1	/P	Chute Adjustment Spring
29	925-04031A	1	/P	Ignition Switch
30	726-0201	1		Speed Nut



**777S33152**  
APPLY TO UN-TEXTURED AREA,  
FAR RIGHT. BLACK ARROW  
SHOULD POINT TO CHOKE.  
FACING OPERATOR.

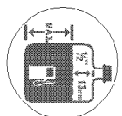
**MODEL PLATE & UPC (BJ) LABEL**  
APPLY ON LOWER REAR FRAME ON  
OPERATORS RIGHT SIDE. FACING OPERATOR.

**OPERATOR'S VIEW**

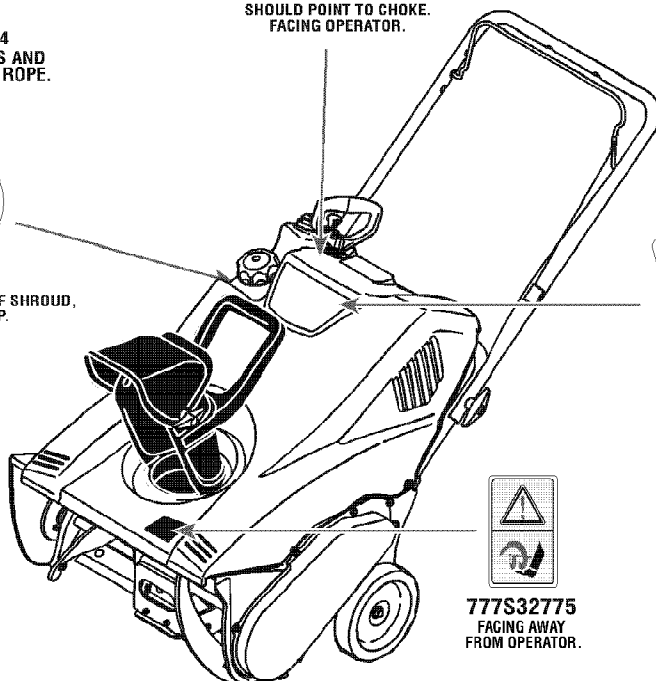


**777122139**  
ON HANDLE,  
FACING OPERATOR.

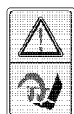
REF. 777X42494  
CUT WITH SCISSORS AND  
ATTACH TO STARTER ROPE.



**777122580**  
PLACE ON INSIDE WALL OF SHROUD,  
BEHIND GAS CAP.



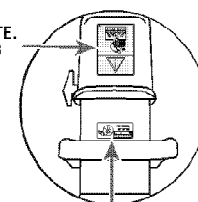
**777D12725**



**777S32775**  
FACING AWAY  
FROM OPERATOR.

**CHUTE**

MOLDED ON CHUTE.  
REF. 777S32823



**777122358**  
BACK OF CHUTE  
FACING OPERATOR.



31A-2M1A897 (2009)  
Label Map

Page 13 of 15

Ref #	Part Number	Qty	S/P/F	Description
777S33152	777S33152	1		LABEL-SNOW TOP COVER
777I22580	777I22580	1		LABEL:SNOW:FUEL LEVEL MAX
777S32775	777S32775	1		LABEL-SNOW HOUSING MTD 4 CYL
777D12725	777D12725	1		LABEL-SNOW SHROUD
777I22358	777I22358	1		LABEL:SNOW CHUTE:
777S32823	N/A	1		LABEL:SNOW CHUTE:EXP Mold In Graphic
777I22139	777I22139	1		LBL:SNOW:HANDLE



31A-2M1A897 (2009)  
Quick Reference

Page 15 of 15

Ref #	Part Number	Qty	S/P/F	Description
	951-10292	1	/P	Spark Plug
	731-05632	1		Key
	N/A	1		Extension Cord
	N/A	1		Snow Removal Tool
	746-04237	1		Control Cable
	N/A	1		Auger Cable
	N/A	1		Speed Cable
	N/A	1		Wheel Cable
	984-04253-0637	1	/P	Auger Assembly
	731-1033	1	/P	Shave Plate
	N/A	1		Impeller Assembly
	N/A	1		Slide Shoe
	N/A	1		Shear Pin
	N/A	1		Bow Tie Cotter Pin
	N/A	1		Lamp
	954-0101A	1	/P	Auger Belt
	N/A	1		Wheel Belt
	735-04032	1		Spiral Crescent
	735-04033	1		Rubber Paddle
	N/A	1		Friction Wheel
	N/A	1		Friction Wheel Rubber
	734-04070	1	/P	Wheel - LH
	734-04070	1	/P	Wheel - RH