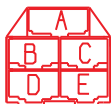


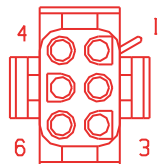
MANUAL PTO SWITCH		
CAV:	CIR:	CLR:
A	N/A	N/A
B	70	ORG/BLK
C	57A	YEL/BLK
D	60	ORG/WHT
E	30B	YEL



KEY SWITCH		
CAV:	CIR:	CLR:
G	10C	GRN
L	90	RED
S	80	ORG
B	97C	RED/WHT
M	30A	YEL

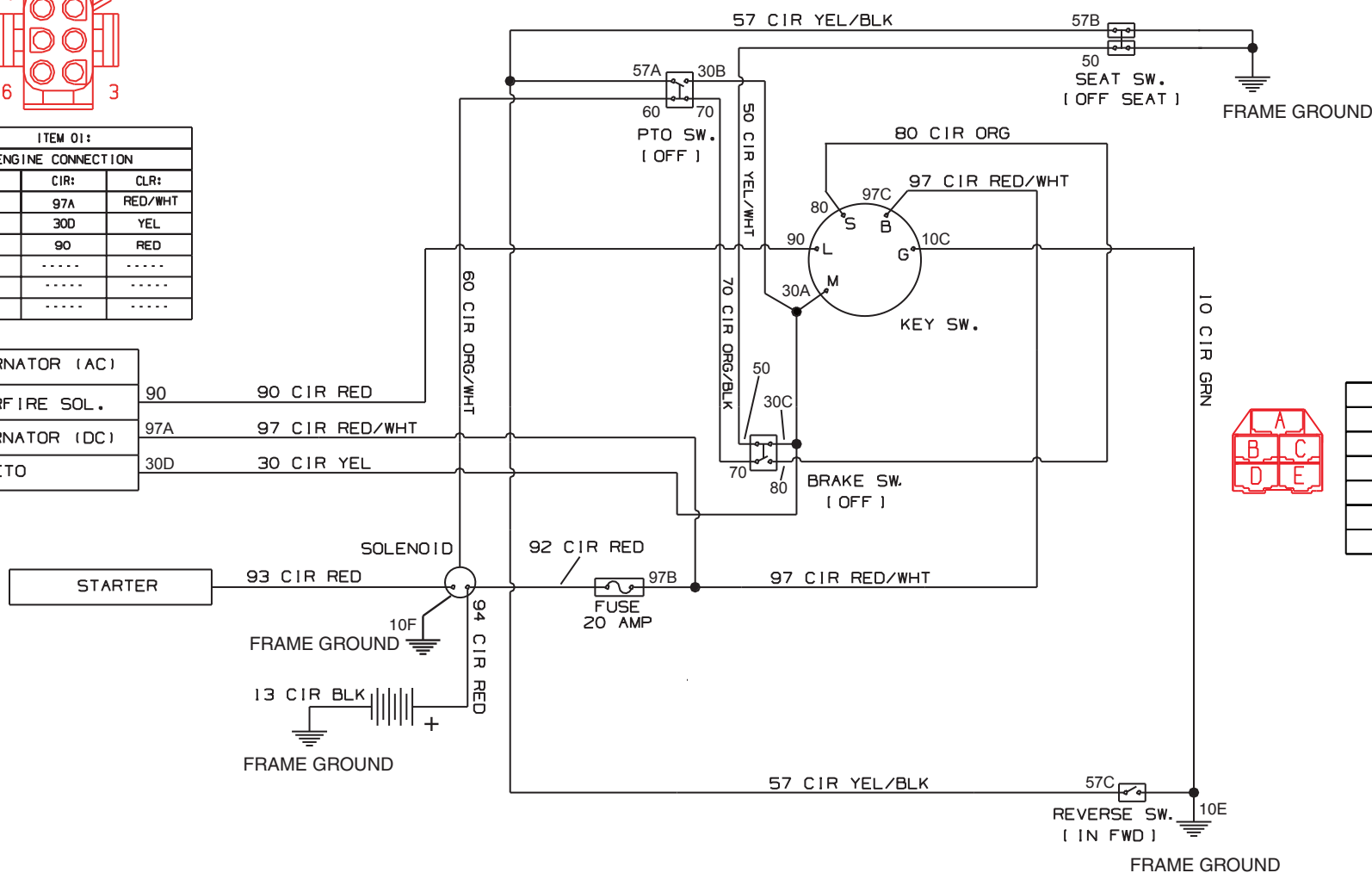
KEY SWITCH FUNCTION

POSITION	CONNECTED
OFF	G + M
RUN	B + L
START	B + S + L

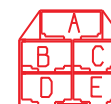


ITEM 01: ENGINE CONNECTION		
CAV:	CIR:	CLR:
1	97A	RED/WHT
2	30D	YEL
3	90	RED
4
5
6

ALTERNATOR (AC)		
AFTERFIRE SOL.	90	90 CIR RED
ALTERNATOR (DC)	97A	97 CIR RED/WHT
MAGNETO	30D	30 CIR YEL



BRAKE SWITCH		
CAV:	CIR:	CLR:
A	N/A	N/A
B	70	ORG/BLK
C	50	YEL/WHT
D	80	ORG
E	30C	YEL



1. Connectors are viewed from the mating side unless otherwise noted.
2. Refer to the unit's correct model year Operator's Manual IPL for the electrical component part numbers.

725-04849B
725-04849A
725-04849