



Service Kit 753-06022

Date: 9/16/2008

Subject: Snow Thrower Upper Links Providing Additional Hood Clearance

Models Affected: 2007 Model Year and Prior OEM-190-032 and 190-032-101 (See PURPOSE below)

Read through and understand these instructions completely before proceeding with repair.

PURPOSE: This service kit contains two new 13.25" upper links to provide for increased hood opening with the snow thrower installed on the tractor and auger housing lowered to ground. Tractor styles affected will have the following Style Code: "T" (Troy-Bilt), "K" (Troy-Bilt), "1" and "5". The 7th character of the model number is the Style Code... Example: 13AV605Gxxx - "5" is the Style Code for this model.

NOTE: These materials are prepared for use by trained technicians who are experienced in the service and repair of equipment of the kind described in this publication, and are not intended for use by untrained or inexperienced individuals. Such individuals should seek the assistance of an authorized service technician or dealer.

NOTE: Save this Instruction Sheet. Refer to it when ordering replacement parts.

Service Kit Contents

(See Figure 1)

ITEM NO.	PART NUMBER	QTY	DESCRIPTION
1	783-0878B-0637	2	LINK: UPPER: SNOWTHRWR: SHAVED
2	*	1	THIS INSTRUCTION SHEET

* - Not Available Separately

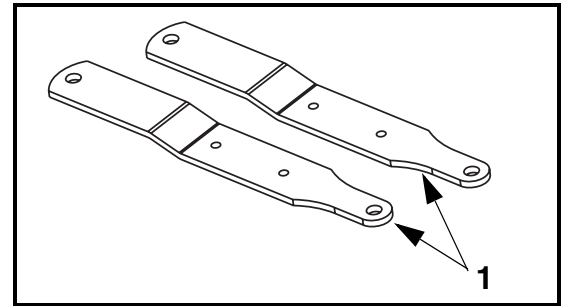


FIGURE 1

Removal Instructions:

NOTE: Left (LH) and right (RH) are determined from the operator's position on the tractor facing forward.

1. Place tractor with the snow thrower attachment on a flat and level surface.
2. Using the lift handle, lower the snow thrower's auger housing on to the ground.
3. Using a 1/2" socket and ratchet and a 1/2" box wrench, remove the two 5/16" hex head bolts and nuts securing the left side chute directional control tube. See Figure 2.

4. Using a 3/4" socket and ratchet, remove the lock nut from weld stud securing the link to the auger housing.
5. Using a 5/8" box wrench and 3/4" socket and ratchet, remove the shoulder bolt and lock nut securing the link to the LH support plate assembly.
6. Repeat Steps 4 and 5 for the RH link.

Installation Instructions:

7. Installation of the new Links, Item 1, is accomplished in the reverse order of removal. Refer to Figure 3 for correct link installation orientation.

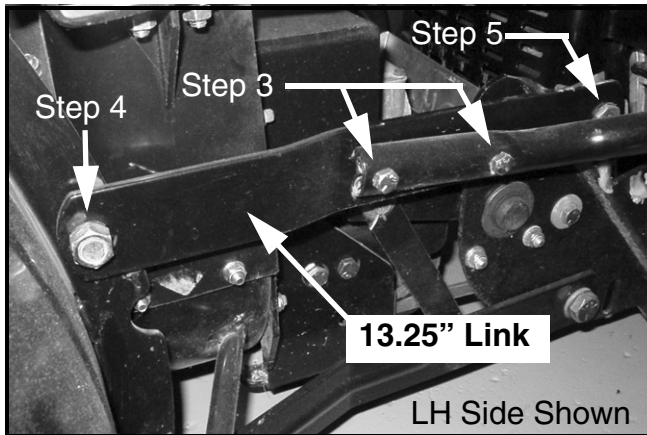


FIGURE 2

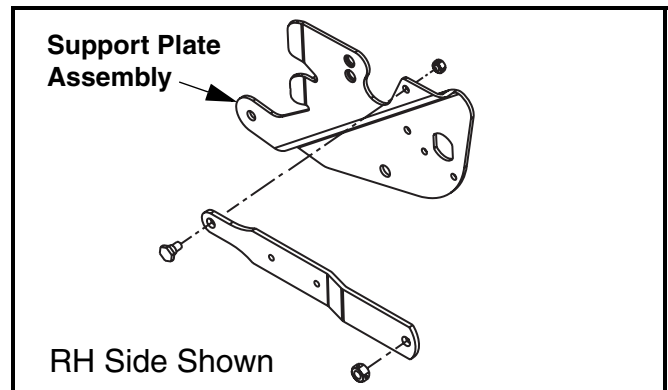


FIGURE 3

This completes the installation of this service kit.