



Service Kit 753-04372

CODE: PE-123

DATE: JANUARY 28, 2003

SUBJECT: Conversion Kit for Grass Bagger Accessory Model OEM-190-601

MODELS Lawn Tractor Model Series
AFFECTED: 660 Through 690

PURPOSE: Use this kit to upgrade an OEM-190-601 Grass Bagger to an OEM-190-180 FastAttach GrassBagger. This kit will convert an OEM-190-601 Grass Bagger to fit on the 660 through 690 Series Box Frame Riders equipped with a 38" or 42" cutting deck.

NOTE: Save this Instruction Sheet. Refer to it when ordering replacement parts.

Service Kit Contents (See Figure 1)

REF. NO.	PART NUMBER	QTY	DESCRIPTION
1	783-04137A	1	LH Catcher Support Bracket
2	783-04132A	1	RH Catcher Support Bracket
3	711-0310	1	Clevis Pin, 1/2" x 1 3/16" Lg
4	712-0459	2	Flange Lock Nut, 7/16-20
5	736-0407	2	Bell Washer, 29/64" I.D. x 1" O.D.
6	738-1020	2	Shoulder Screw, 5/8" x 1/2" Lg
7	16606	1	Retainer Hook Bracket
8	710-0751	1	Hex Head Screw, 1/4"-20 x 5/8", GR5
9	712-3027	1	Flange Lock Nut, 1/4"-20

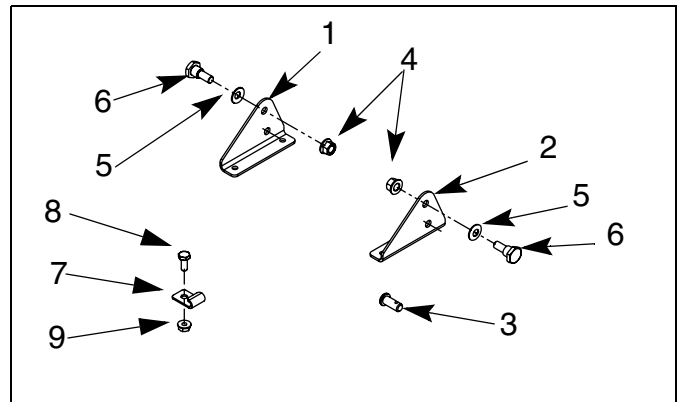


Figure 1

NOTE: If the grass bagger you purchased contains this kit you will need to follow these instructions in place of the instructions in your Owner's Manual noted under the heading "Assembling Support Brackets". This insures you will install the correct brackets for your model tractor.

NOTE: References to LEFT, RIGHT, FRONT and REAR of the tractor are from the operator's position.

NOTE: Before assembly, place the tractor on a firm, level surface, disengage the PTO, stop the tractor engine and set the parking brake.

Tractor Model Series 660 through 690

Assembling Support Brackets

- Remove the top four self-tapping screws from the rear of the lawn tractor. See Figure 2.
- Place the RH Catcher Support Bracket (Ref. No. 2) in position as shown in Figure 3.
- Secure the RH Catcher Support Bracket to the tractor frame with two self-tapping screws removed earlier. Refer to Figure 2.
- Repeat on the left hand side using the LH Catcher Support Bracket (Ref. No. 1).

NOTE: If the grass collection system is removed for any reason, it is not necessary to remove the support brackets from the tractor.

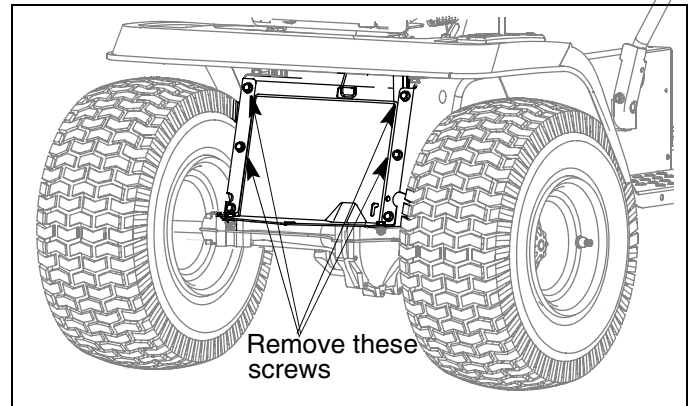


Figure 2

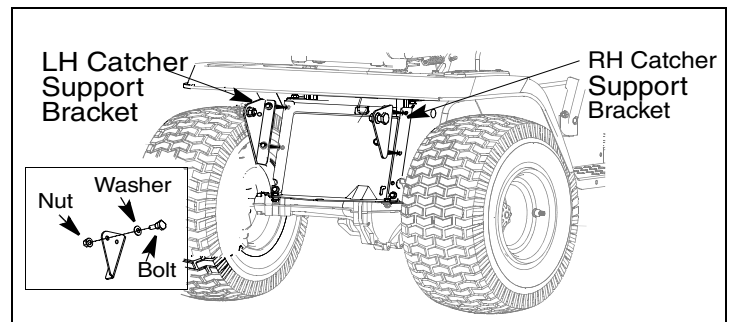


Figure 3

- Insert a Shoulder Screw (Ref. No. 6) through a Bell Washer (Ref. No. 5).

NOTE: When placing the bell washer onto the shoulder screw make sure that the concave side of the bell washer is facing away from the head of the shoulder screw.

- Insert the Shoulder Screw/Bell Washer subassembly through the hole on the RH Catcher Support Bracket. Secure with a Flange Lock Nut (Ref. No. 4). See Figure 3 inset for details. Repeat on other side.
- Refer to Figure 2 of your Owner's Manual that came with the grass bagger. Locate the Bracket Assembly.
- The Bracket Assembly is configured for the 600 through 619 series tractors. It will be necessary to reconfigure the Bracket Assembly for the 660 through 690 series tractors.
- Remove the four bolts that fasten the Support Cross Bracket to the two Catcher Support Brackets. Refer to Figure 4.
- Rotate the Support Cross Bracket between the Support Catcher Brackets so that the tongue portion is facing the same direction as the hook ends of the Catcher Support Brackets. Refer to Figure 6.
- Reinstall the four (4) bolts and nuts removed earlier. Do not tighten, leave slightly loose.
- Position the hooked ends of the Support Catcher Bracket Assembly to the outside of the Support Catcher Brackets sides as shown in Figure 5.
- Locate the clevis pin, 711-0309A, from the hardware package that came with the grass bagger.
- Align the hole at the lower end of the Support Bracket Assembly to the hole on the hitch plate on the tractor and insert the clevis pin through these two holes. Secure the clevis pin with the internal cotter pin, 714-0117, also from the hardware package that came with the grass bagger. Refer to Figure 6.

NOTE: For some tractor models, this clevis pin is too large. Use a smaller clevis pin (Ref. No. 3) in its place with the same hairpin clip.

- When all the brackets are aligned and hardware is installed tighten all hardware securely. This will ensure proper alignment of the Fast Attach Catcher Support Assembly to the 3 attach points on the tractor.
- Proceed to Retainer Hook Bracket Installation on Page 3.

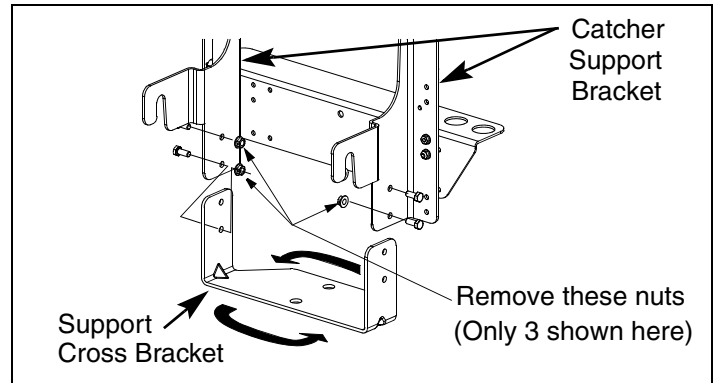


Figure 4

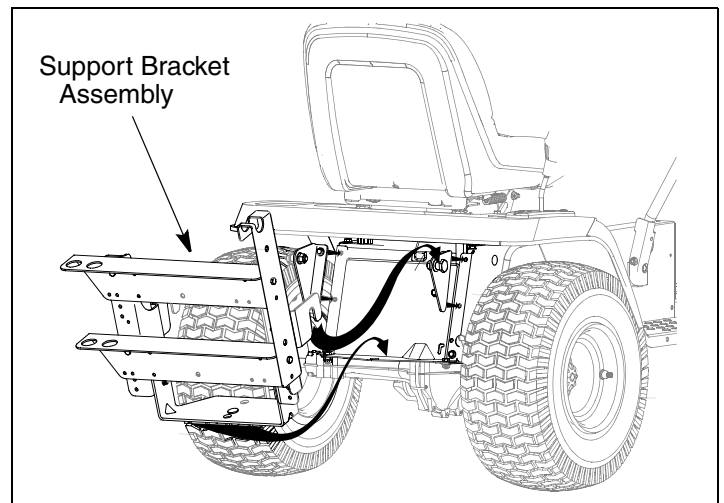


Figure 5

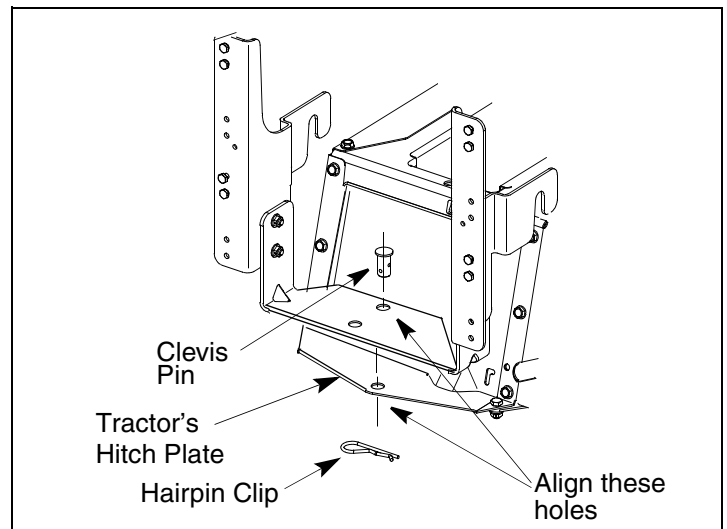


Figure 6

Retainer Hook Bracket Installation

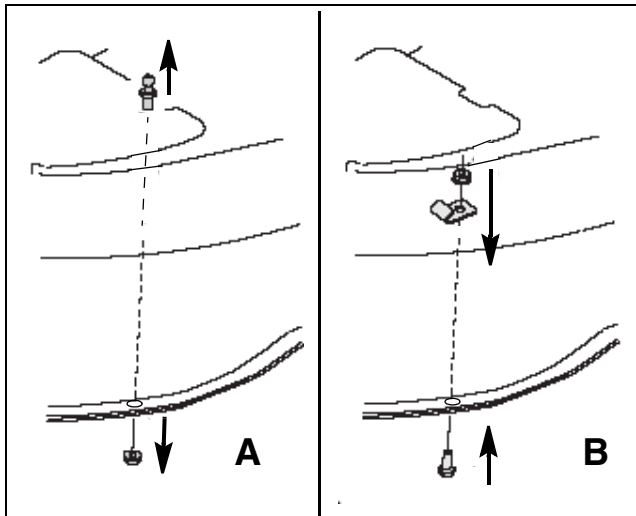


FIGURE 7

- When installing an older OEM-190-601 Grass Bagger onto a newer rider it may be required to change the discharge chute's strap deck attachment hardware.
- Refer to Figure 7A. Remove the ball end pin and attaching nut from the front right deck lip.
- Refer to Figure 7B. Install the supplied retainer hook bracket (Ref. No. 7) and attaching hardware (Ref. Nos. 8 and 9) to the front right deck lip.
- This completes the assembly of the Catcher Support Bracket Assembly using this kit. Please continue with the assembly of the grass bagger as instructed in the Owner's Manual that came with the grass bagger accessory.

NOTES