



Service Kit

759-04145

Date: 11/01/2006

Subject: Service Replacement for the 50" RZT Right Hand (RH) Hydro Transmission

Models Affected: N/A

PURPOSE: This service kit replaces the RH hydro transmissions 618-04163A and 618-04326 which are no longer available. The replacement transmission has a Double-D axle end which requires a Double-D wheel hub assembly. A new neutral return spring is enclosed for the LH transmission. See instructions on page 2 of this sheet.

NOTE: These materials are prepared for use by trained technicians who are experienced in the service and repair of equipment of the kind described in this publication, and are not intended for use by untrained or inexperienced individuals. Such individuals should seek the assistance of an authorized service technician or dealer.

NOTE: Save this Instruction Sheet. Refer to it when ordering replacement parts.

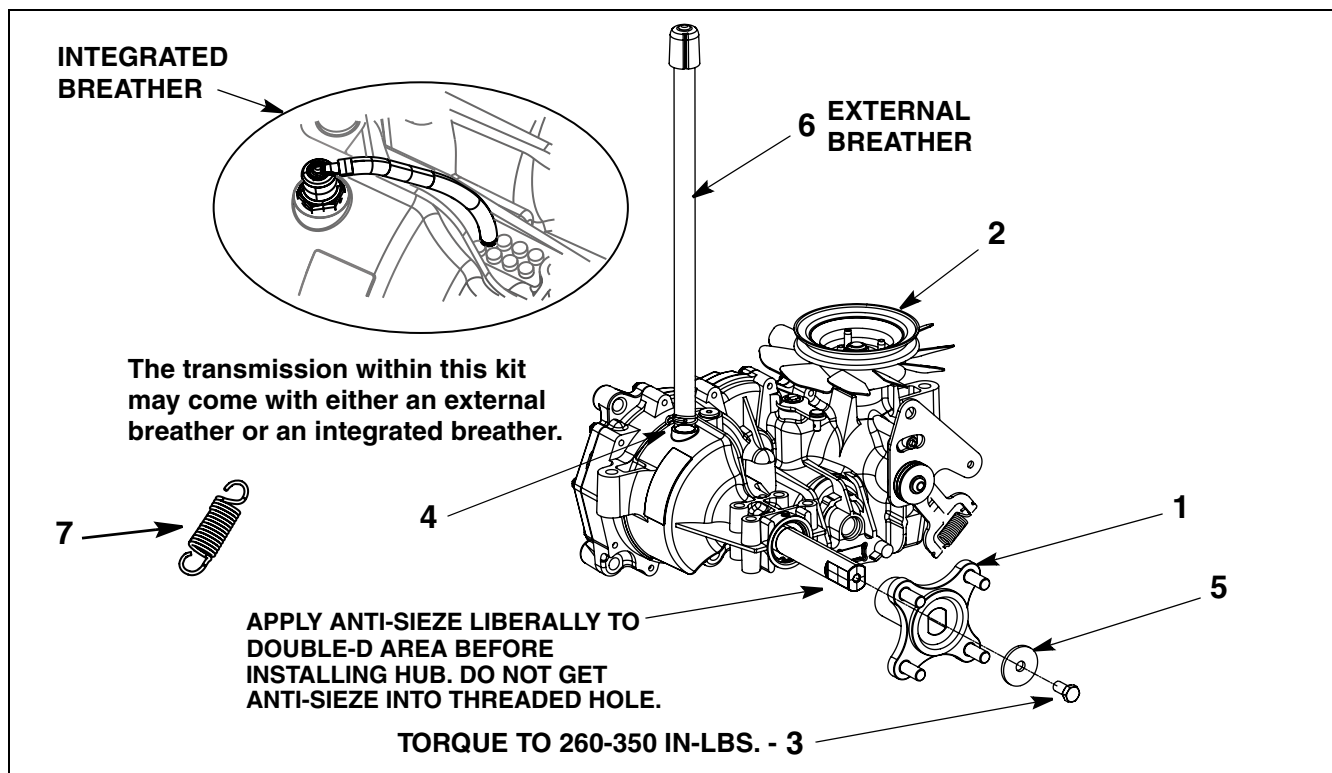


FIGURE 1

Service Kit Contents

(See Figure 1)

ITEM NO.	PART NUMBER	QTY	DESCRIPTION
1	618-04317	1	HUB ASM:WHL:DOUBLE-D LONG
2	618-04432A	1	TRANS ASM:HYDRO:EZT:RH
3	710-3119	1	SCREW:3/8"-16 x .750:GR5:LOCK
4	726-04059	1	CLAMP:HOSE: .750
5	736-0227	1	WASHER:FLAT: .390 x 1.50 x .134
6	751-10474	1	HOSE: BREATHER: EXTERNAL
7	732-04448	1	SPRING: EXTENSION (See Page 2)
8	*	1	THIS INSTRUCTION SHEET

* - Not Available Separately

Installation of Loose Packed Extension Spring:

1. A Neutral Return Extension Spring, Item 7, is supplied with this kit for installation on the remaining hydrostatic transmission when only one hydrostatic transmission is being replaced.

2. This spring, Item 7, must be installed on the remaining hydrostatic transmission in order for both transmissions to come to neutral at the same rate.

3. See Figure 2 for location of the neutral return mechanism.

5. Install the new Neutral Return Spring, Item 7, onto the two arms as shown in Figure 3.

6. When complete both installed transmissions must have the same color neutral return spring.

7. This completes the installation of the new Neutral Return Spring onto the remaining original transmission.

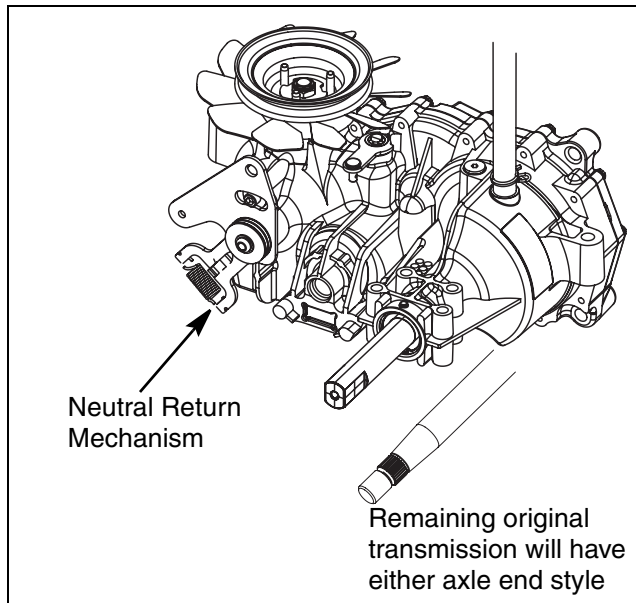


FIGURE 2

4. With a suitable set of pliers or spring removal tool, remove and discard the existing spring from the neutral return mechanisms two arms on the remaining (not replaced with this kit) hydrostatic transmission. See Figure 3.

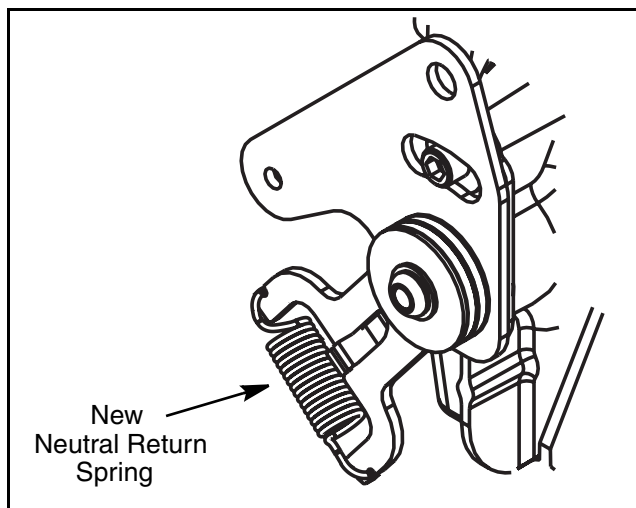


FIGURE 3