



# Service Kit 753-04475

Date: July 29, 2004

Subject: 46 inch Service Deck Assembly  
- Complete

Models Affected: 650 through 690 Series Box Frame Style Models manufactured after October 02, 2002 - serial number sequence (...J022...) and later

**PURPOSE:** Use this service kit when replacing the complete 46 inch cutting deck assembly on the **Models Affected** listed above.

**NOTE:** *Save this Instruction Sheet. Refer to it when ordering replacement parts.*

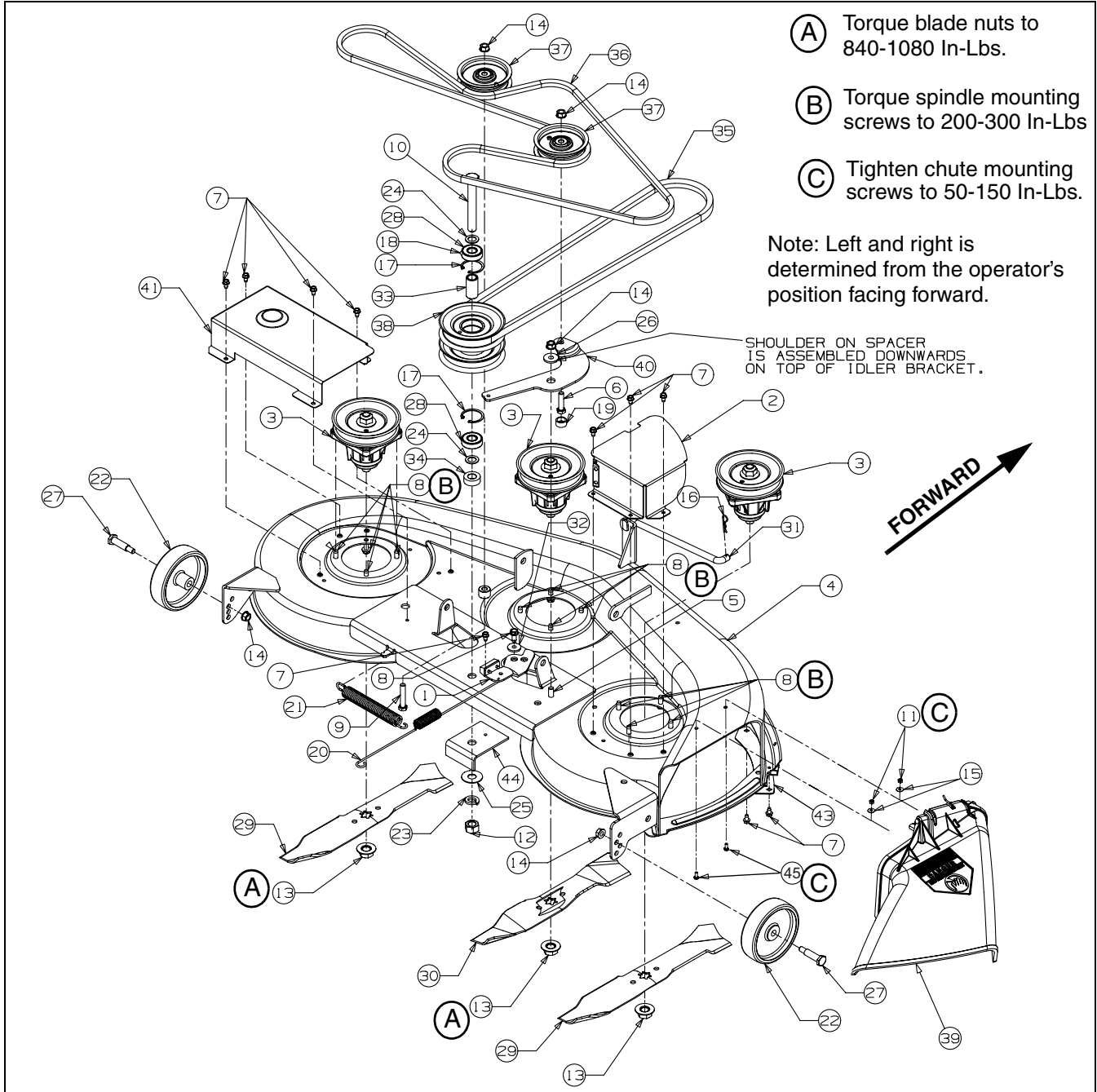


FIGURE 1

**Service Kit Contents**

( See Figure 1 )

ITEM NO.	PART NUMBER	QTY	DESCRIPTION
1	17116	1	BRAKE ASSEMBLY: DECK
2	17258D-0483 17258D-0637	1*	COVER: BELT: DECK: 46" RIGHT HAND (Charcoal Grey) (Powder Black)
3	618-0240A	3	SPINDLE ASSEMBLY: 5.00" DIA . W/STUD
4	683-04133-0483 683-04133-0637	1*	DECK ASSEMBLY: 46": 600 SERIES (Charcoal Grey) (Powder Black)
5	710-0514	1	SCREW: HEX HEAD: 3/8"-16 x 1.00": GR5: STD
6	710-0520	1	SCREW: HEX HEAD: 3/8"-16 x 1.50": GR5: STD
7	710-0599	15	SCREW: TAPTITE: 1/4"-20 x 0.50": W/WASHER HEAD
8	710-1260A	13	SCREW: TAPTITE: 5/16"-18 x 0.75": W/WASHER HEAD
9	710-3144	1	SCREW: 3/8"-16 x 2.00": GR5: STD
10	710-3151A	1	SCREW: 5/8"-18 x 4.5": GR5: STD
11	712-3006	2	NUT: HEX: 1/4"- 20: GR5
12	712-0337	1	NUT: HEX: 5/8"- 18: GR5
13	712-0417A	3	NUT: FLANGE: 5/8"- 18
14	712-0431	5	NUT: FLANGE LOCK :3/8" - 16: GRF: TOP LOCK
15	736-0270	2	WASHER: BELL: .265" x .75" x .062"
16	714-04023	1	PIN: COTTER: .080" x 1.562" INTERNAL
17	716-3020	2	RING: RETAINER: INTERNAL
18	721-0326	1	LOCTITE 609
19	731-1490	1	CAP: SLIDE
20	732-04047	1	SPRING: EXTENSION: .788" OD x 15.50" LG.
21	732-0594A	1	SPRING: EXTENSION: .91" OD x 7.33" LG.
22	734-0973	2	WHEEL: DECK: 5.0" DIA x 1.38"
23	736-0158	1	WASHER: LOCK: 5/8" : REGULAR DUTY
24	736-0290	2	WASHER: FLAT: .625" ID x 1.0" OD x .067: HEAT TREATED
25	736-3088	1	WASHER: FLAT: 1.595" OD x .635" ID x .062: HEAT TREATED
26	738-0347	1	SPACER: SHOULDER: .625" ID x .169"
27	738-0373	2	SCREW: SHOULDER: .498" DIA x 1.53"LG: 3/8"-16
28	741-0524	2	BEARING: BALL: .625 ID x 1.5746 OD x .4699
29	742-0611A	2	BLADE: 16.28" LG: STAR 3 IN ONE
30	742-0612A	1	BLADE: 14.88" LG: STAR 3 IN ONE
31	747-04018A	1	LINK: HANGER: DECK
32	748-0234	1	SPACER: SHOULDER
33	750-0932A	1	SPACER: .635" ID x .88" OD x 1.72": LG
34	750-0960A	1	SPACER: .635" ID x 1.25" OD x .445" LG
35	754-0439	1	BELT-"V": B SECTION x 60.2" LG (
36	754-0440	1	BELT-"V": A SECTION x 98.8" LG
37	756-0627B	2	PULLEY: IDLER: 3.50" DIA.
38	756-0638	1	PULLEY: DECK: DOUBLE: 5.0" DIA.
39	731-1032B	1	CHUTE ASSEMBLY: SIDE DISCHARGE
40	783-0046-0637	1	BRACKET: IDLER: DECK (Powder Black Only)
41	783-0063A-0483 783-0063A-0637	1*	COVER: BELT: LEFT HAND (Charcoal Grey) (Powder Black)
42	783-0141	1	SKIRT: DECK: 46": CENTER
43	783-0142	1	SKIRT: DECK: 46": RIGHT HAND
44	783-04500-0637	1	BRACKET: SUPPORT (Powder Black Only)
45	710-0751	2	SCREW: HEX: 1/4"-20 x .620: GR5: STD
46	769-01187A	1	THIS INSTRUCTION SHEET

\* - Quantity shown is the requirement for one deck assembly. Order the quantity shown of the color required.