



Service Advisory

ZT SERIES

W-128

Models Affected: 17AA5A7P790 (ZT 22)

Serial Number Range Affected: 1H044Gxxxxx and prior**

Date: **August 20, 2004**

Subject: **50" ZT Deck Belt Alignment**

Purpose: Kit **759-04070** is designed to strengthen the stationary idler pulley mounting bracket. If you are experiencing a problem with the belt coming off of the pulleys, order and install this kit. Kit **759-04070** will be shipped no charge and orders must be placed by either phone in or fax orders only.

Service Kit Contents (See Figure 1)

ITEM NO.	PART NUMBER	QTY	DESCRIPTION
1	703-05668	1	Brkt:Mnt:Idler
2	736-0133	1	Wash:Flat:.411 x 1.25 x .100
3	756-04141	1	Pulley:Idler 5.0 Dia.

- 1) Remove the existing pulley (756-3062) and hardware, discard the pulley and any washers that were mounted between the pulley and the original mounting bracket. Save the bolt(710-0347), washer(736-3072) and nut(712-0431) to reinstall with the new pulley.
- 2) If the mounting bracket that is welded to the deck shows signs of being twisted, straighten the bracket prior to installation of the new pulley and additional mounting bracket. The upper surface of the bracket should be parallel with the plate welded to the mower deck.

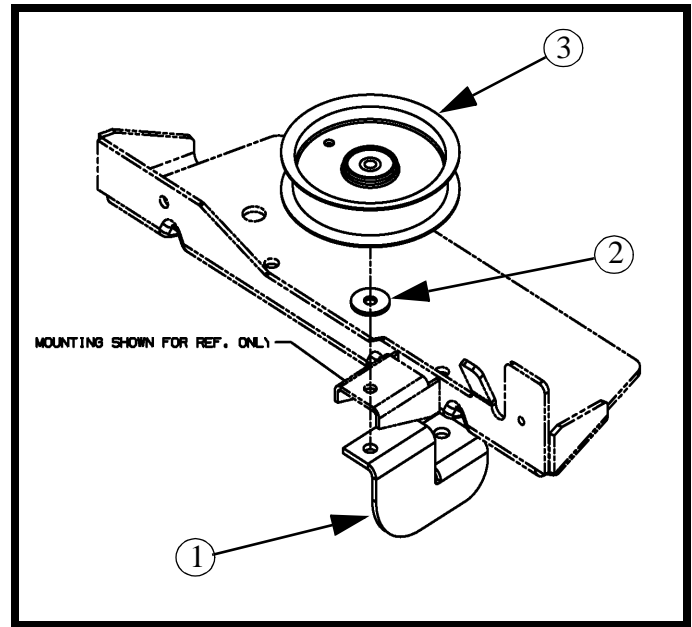


FIGURE 1

** Example of a serial number (1A023H00001) and how to read it.

1 = ENGINEERING LEVEL INDICATOR

A = MONTH OF PRODUCTION; A = January, B = February... H = August... K = November, L = December

02 = DAY OF THE MONTH; 01 = 1ST day of the month, 08 = 8TH day of the month, etc.

3 = YEAR OF PRODUCTION; 2 = 2002; 3 = 2003

H = PLANT CODE.

0 = ASSEMBLY LINE NUMBER.

0001 = DAILY SEQUENCE NUMBER; 0001 = 1st unit produced that day.

Warranty: Normal warranty terms apply. Indicate Service Advisory W-128 and **603-04154** as the original failed part on the claim. Repair time allowance is **0.3 Hrs.**

SERVICE MANAGER	PARTS MANAGER	SALES MANAGER	SERVICE TECH.	SERVICE TECH.

Circulate and Initial

3) From under the deck, remove the nut (712-3019) and bell washer (736-0407) that retains the pivot bolt (738-3005A) for the spring loaded idler arm. Fit the new idler mounting bracket(1) to the mower deck using idler arm pivot bolt nut and washer previously removed to retain one end of the bracket. Torque to 50-60 ft/lb. (See FIGURE 2)



FIGURE 2



FIGURE 3

4) Install the new stationary idler pulley(3) and washer(2) contained in the kit using the bolt, washer and nut previously removed, install washer (736-3072) on the bolt(710-0347). Pass the bolt through the pulley(3) then install the washer (2). Insert the bolt through the existing mounting bracket and the new idler mounting bracket(1). Install nut 712-0431 and torque to 33-37 ft/lb. (See FIGURE 3)