



Service Advisory

W-121

COMMERCIAL SERIES

Models: 53AA1A5L190 (Z1850), 53AC225G190 (Z16), 53AC235M190 (Z180),
 53AC265K190 (Z180L), 53AC275K190 (Z200), 53BA1A3G190 (Z16),
 53BA1A6M190 (Z180L), 53BA1A7K190 (Z220), 53BA1D5K190 (Z180L),
 53CA1A6M190 (Z2150), 53CA1A7K190 (ZT2250)

Date: April 9, 2001

Subject: PTO DRIVE BELT

PROBLEM: Operating unit in lowest cutting position (lift handle set to number one position) can accelerate wear of PTO drive belt because belt rubs “U” shaped idler bracket bolted to the skid plate.

SOLUTION: Replace “U” shaped idler bracket (703-2888) with flat idler bracket (703-3657).

PROCEDURE:

1. Remove mower deck from unit. Refer to Owners Manual for removing mower deck. **NOTE:** The height positions located on the right fender are one through seven and the “L” is the lock position. The lock position is used when removing the mower deck.
2. Remove existing “U” shaped idler bracket (703-2888) and retain hardware for new idler bracket. Refer to figure 1.
3. From the “U” shaped idler bracket remove and retain idler pulley (603-0362) and hardware. Discard bracket.
4. Using idler pulley and hardware from step 3, install pulley on new bracket (703-3657).
5. Install new idler bracket as shown in figure 2. Note new position of the bracket and bolt hole in the frame.
6. Check tire pressure. See tire side wall for proper inflation pressure. Do not over inflate.
7. Adjust the LH and RH rear adjustable hanger links to a starting length of 3-1/4 inch. Refer to figure 3.
8. Install mower deck and check the level of the deck. Refer to Owners Manual for installing and adjusting mower deck.
9. If equipped, remove the deck lift assist spring assembly should you have difficulty installing or leveling deck. Replace with lift assist spring as shown in Service Advisory W-113. The lift assist spring will reduce the effort needed to lift all sizes of mower decks.

Warranty Allowance: Normal warranty terms apply.

Service Manager	Parts Manager	Sales Manager	Service Tech.	Service Tech.

Circulate and Initial

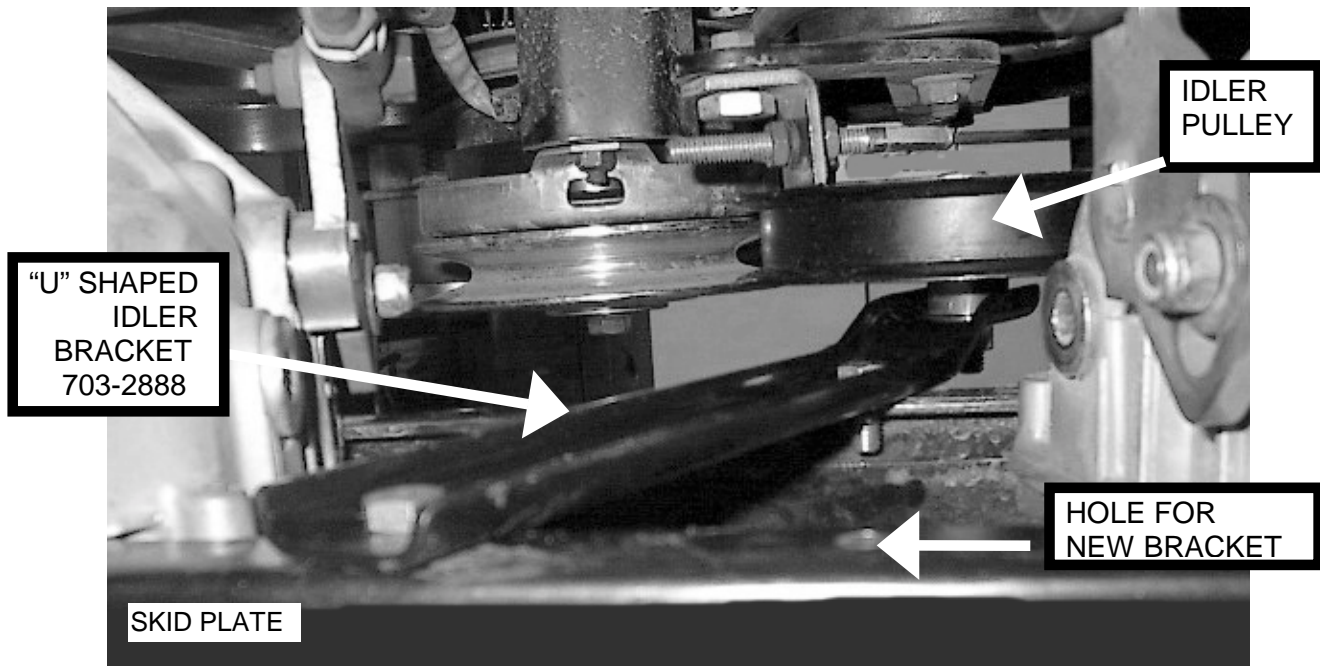


FIGURE 1 NOTE: VIEW FROM UNDER UNIT WITH MOWER DECK REMOVED.

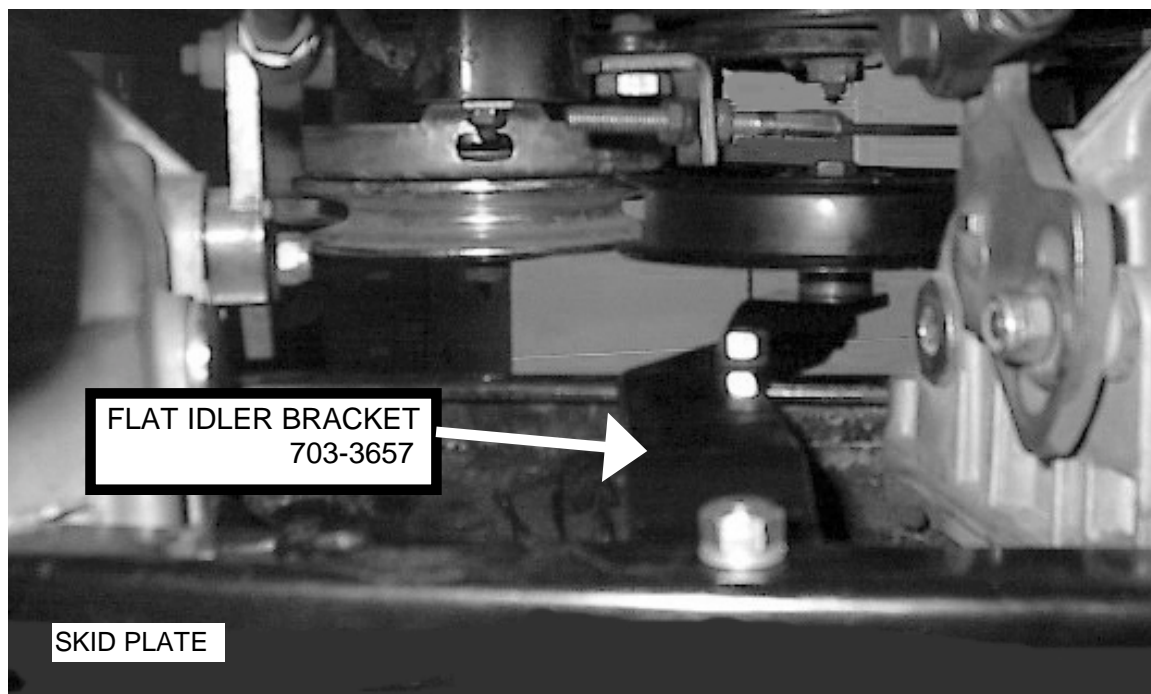


FIGURE 2 NOTE: VIEW FROM UNDER UNIT WITH MOWER DECK REMOVED.

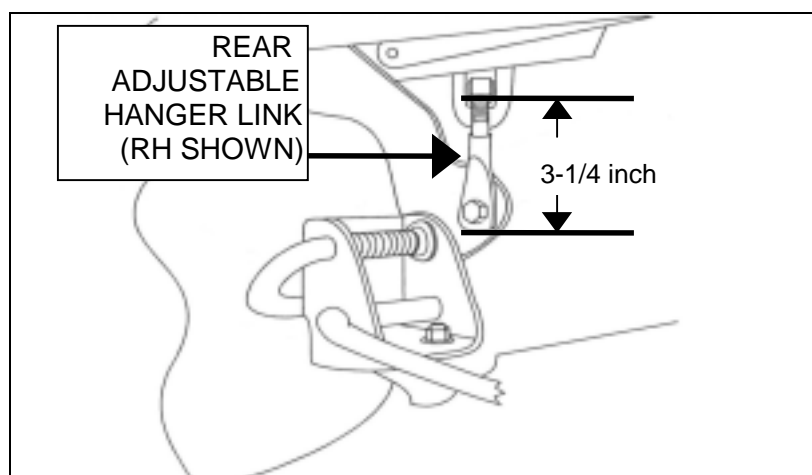


FIGURE 3