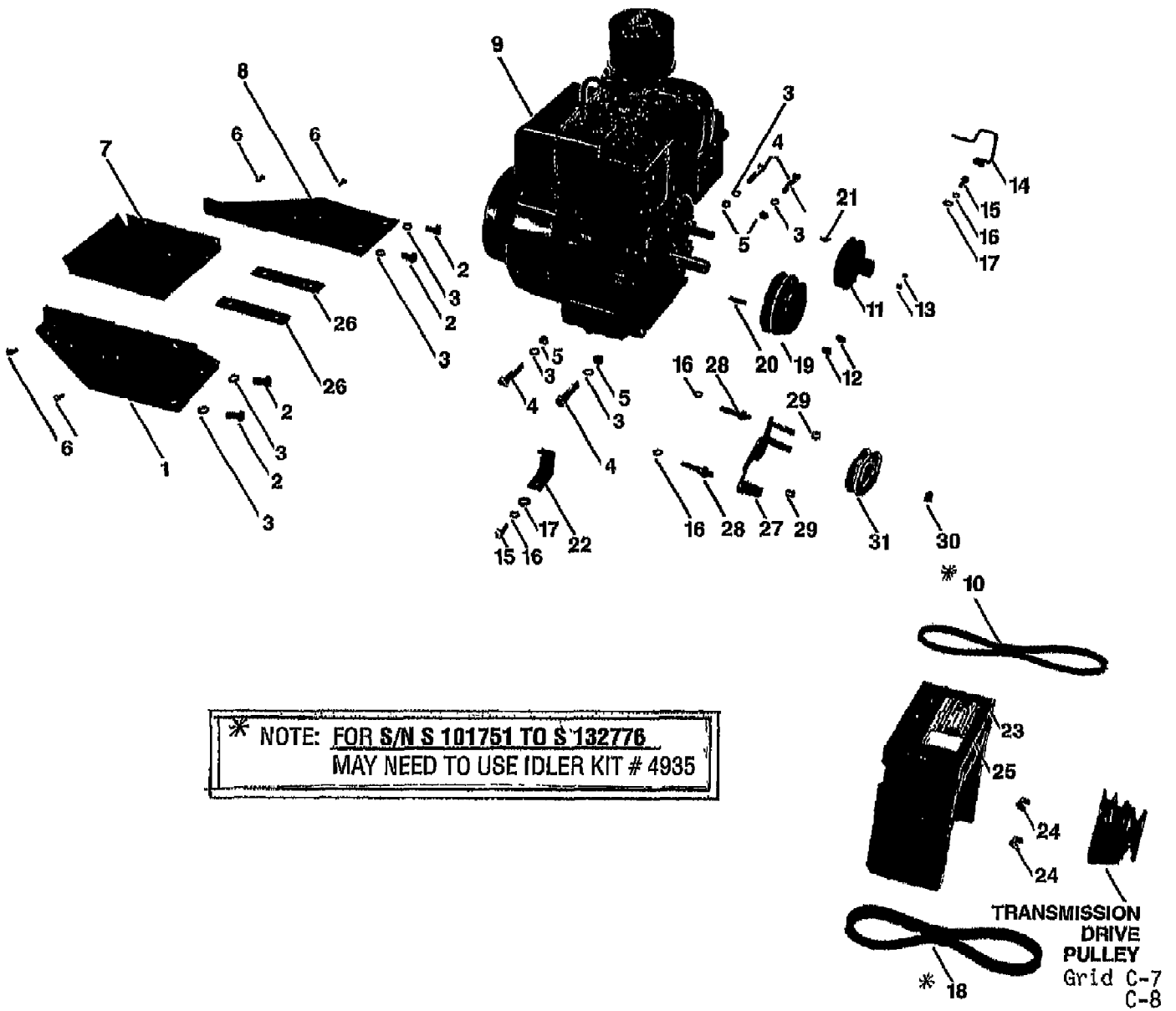


20595 PONY III 5HP STD (S/N S101751-S164132)  
ENGINE, PULLEYS & BELTS

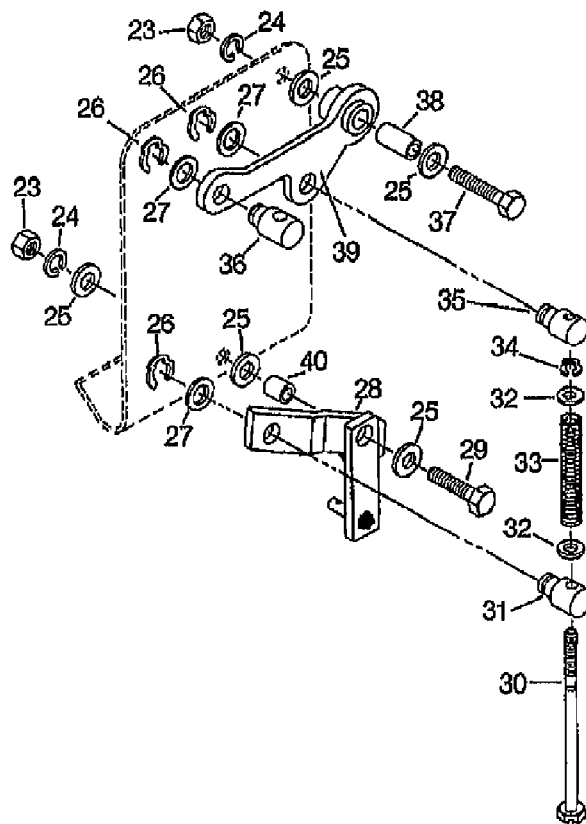
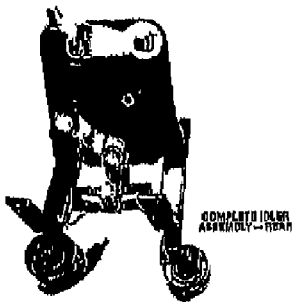
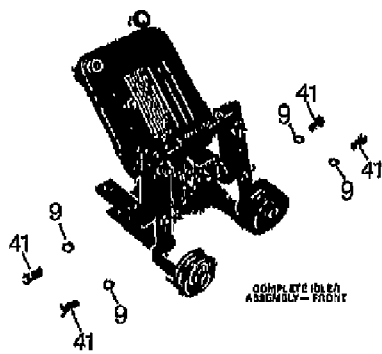
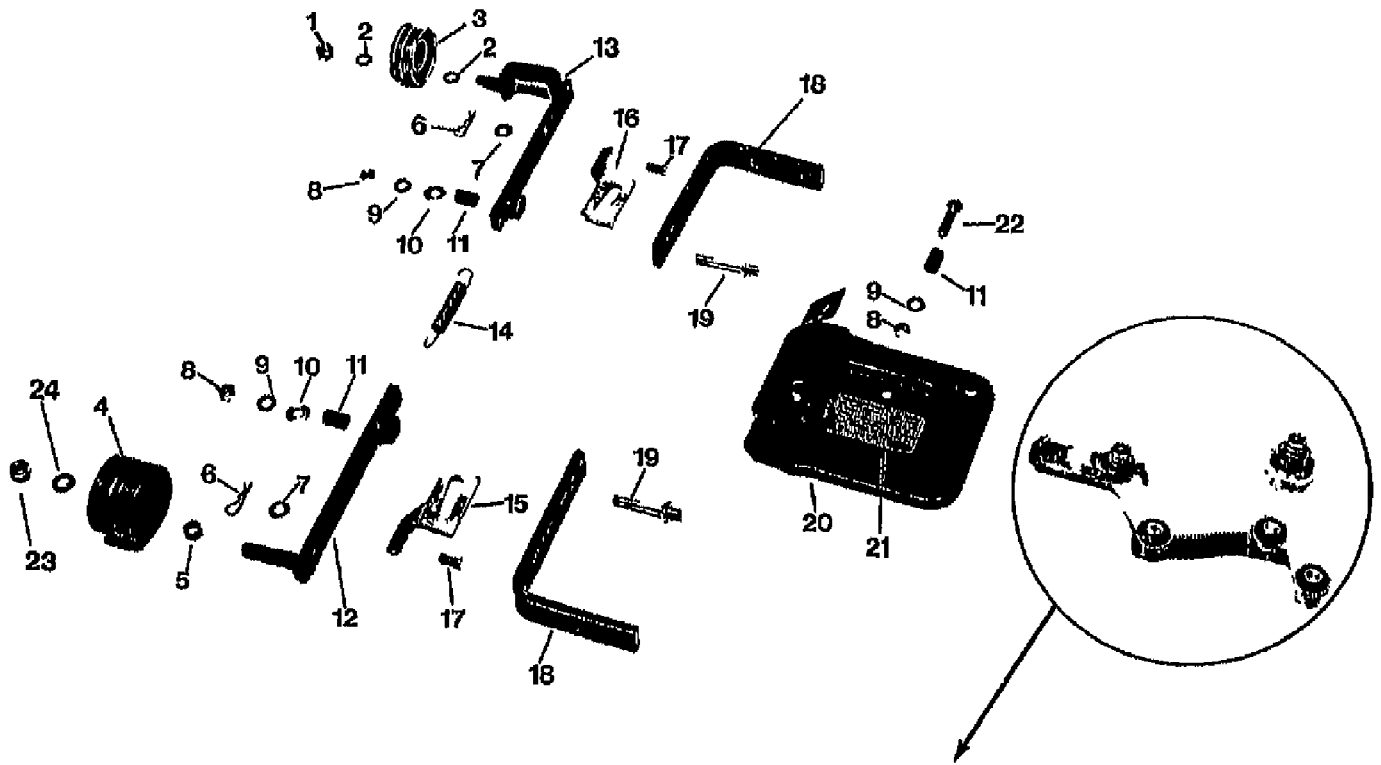


20595 PONY III 5HP STD (S/N S101751-S164132)  
ENGINE, PULLEYS & BELTS

Page 2 of 16

Ref #	Part Number	Qty	S/P/F	Description
1	20502	0		KIT-ENG BRKT LT(OLD 20628)
2	9703	0		SCR-HHC 5/16-18X.75 GR 5 ZP
3	9912	0		WASHER-LK .312 ZP
4	9759	0		SCR-HH 5/16-18X1.75
5	9801	0		NUT-HEX 5/16-18 ZP
6	9768	0		SCR-HH SEMS 10-32 X .5 ZP (SEMS - WITH PERMANENT WASHER)
7	20673	0	S	PAN-ENG BRKT PNT
8	20500	0		KIT-ENG BRKT RT(OLD 20627)
9	0	0	F	ENGINE, B&S
9	0	0	F	ENGINE, B&S
10	9493	0		BELT-V (SEE V-BELT SET BELOW)
11	20503	0		PULLEY-ENG MACH
12	9763	0		SCR-SS 5/16-18X.375
13	9561	0	S	SCR-SS 1/4-20 X .25
14	20555	0		GUIDE-BELT FWD
15	9701	0		SCR-HH 1/4-20X.75 G5 ZP
16	9910	0		WASHER-LK .25 ZP
17	9900	0		WASHER-FLAT 1/4 SAE
18	20565	0		BELT-V GROOVE FWD SMFRAME (SEE V-BELT SET BELOW)
19	20316	0		KIT-ENG PULLEY PONY
20	9301	0	S	KEY-.188 SQX1.0
21	9361	0	S	KEY-WOODRUFF #5
22	20658	0		GUIDE-BELT REV PNT
23	20650	0		BELT SHROUD W/DECAL (INCL. #25)
24	9824	0	S	NUT-WING/LK 5/16-18 ZP
25	20649	0		DECAL-BELT POSITION
26	20340-05	0		SHIM-4.38X.88X.134
	4922	0		KIT-BELT PONY III (INCL. #20565 & #9493)
27	20648	0		BRKT-IDLER WELD PNT
28	EB94067	0		STUD-5HP (B&S PART)
29	9811	0		NUT-LK 1/4-20
30	9807	0		NUT-H/LK 3/8-16
31	9017	0		IDLER-"V" GROOVE (INTERNAL BUSHINGS TYPE)
	50134	0	S	BELT - REVERSE
	4935	0		KIT-IDLER & BELT P3
	SER-150	0		LITERATURE - IDLER INSTALLATION
	9910	0		WASHER SPRINGLOCK 1/4

20595 PONY III 5HP STD (S/N S101751-S164132)  
FORWARD/REVERSE IDLER ASSEMBLY

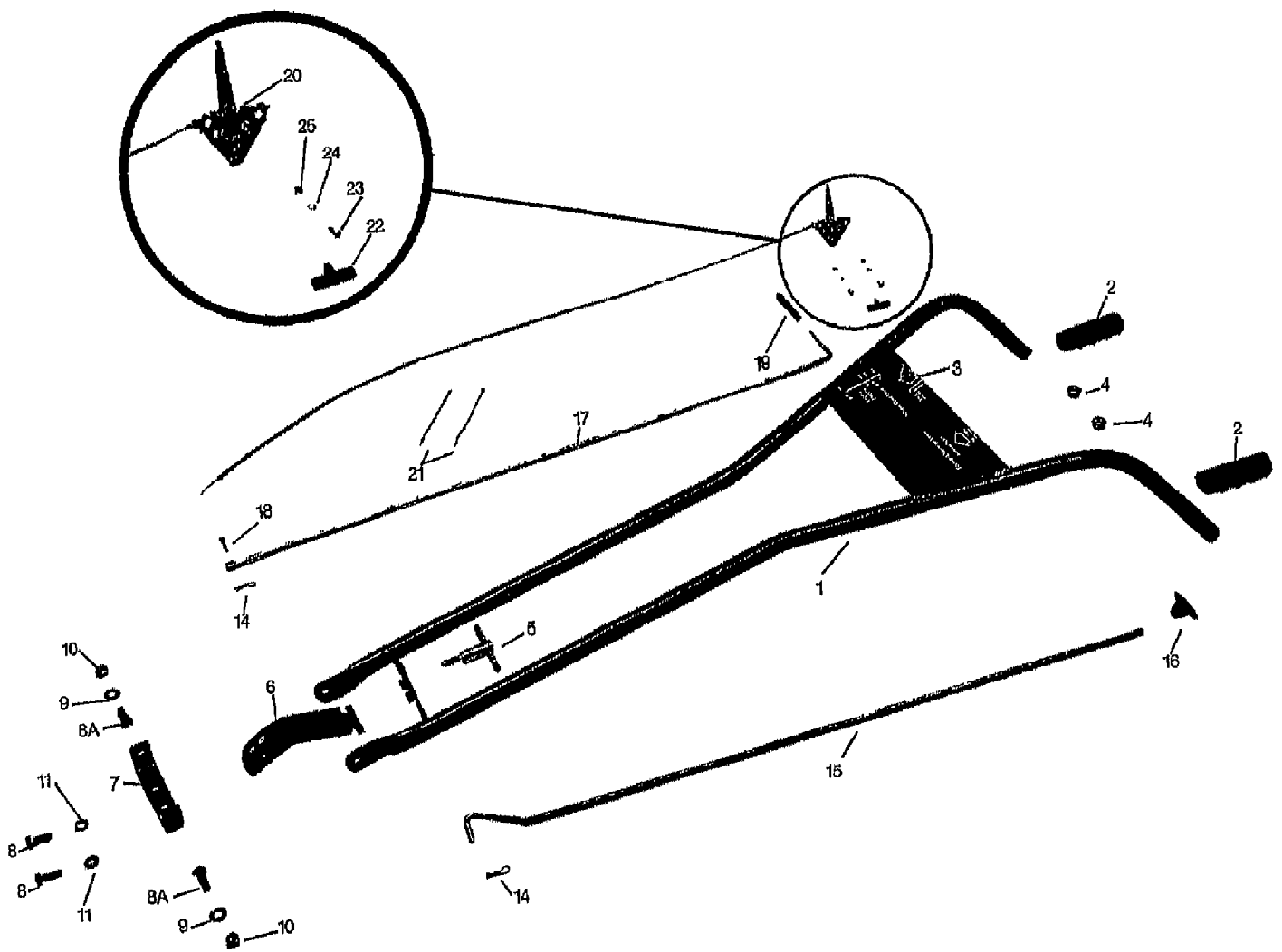


20595 PONY III 5HP STD (S/N S101751-S164132)  
FORWARD/REVERSE IDLER ASSEMBLY

Page 4 of 16

Ref #	Part Number	Qty	S/P/F	Description
1	9807	0		NUT-H/LK 3/8-16
2	20513	0		BUSHING-.54X.38X.08
3	9460	0		IDLER-REV
4	9193	0		PULLEY-FWD IDLER
5	1113-1	0	S	BUSHING-.5X.375X.3
6	9338	0	S	PIN-CLIP .08
7	9900	0		WASHER-FLAT 1/4 SAE
8	9801	0		NUT-HEX 5/16-18 ZP
9	9912	0		WASHER-LK .312 ZP
10	20545	0	S	WASHER-#.75X.32X.09 ZP
11	9479	0	S	BUSHING-.438X.323X.712
12	20657	0		ARM-IDLER FWD PNT
13	20656	0		ASSM-IDLER REV @ DEPL
14	1492	0	S	SPRING-.436 X 3.25
15	20517-01	0		LINK-FWD
16	20517-02	0		LINK-REV
17	9340	0		PIN-CLEVIS .375X.719 ZP
18	20518	0		BAR-MTG PNT
19	20550	0		STUD 5/16-18X2.145 ZP
20	20622	0		BASE-SHIFTING W/DECAL (INCL. #50112 WARNING DECAL)
21	50112	0		DECAL-BELT (WARNING INSTRUCTIONS ON BELTS/ PULLEYS)
22	9574	0		SCR-HH 5/16-18X1.25 G5ZP
23	9802	0		NUT-HEX 3/8-16 ZP
24	9913	0		WASHER-LK .375 @ DEPL
25	20553	0	S	SPACER-.88X.385X.09 ZP
26	9515	0		RING-KLIP .500 ZINC
27	20546	0	S	WASHER-#.88X.51X.063 ZP
28	20524	0		BELLCRANK-WELDMENT
29	9712	0		SCR-HH 3/8-16X1.25
30	20552	0		SCR-HH 1/4-20X4.5 G5
31	20504	0		PIVOT-SLIDE
32	20554	0		WASHER # ZP (BETWEEN LOWER PIVOT & SPRING BETWEEN SPRING AND RETAINING RING)
33	20544	0		SPRING-.52 X 3
34	9514	0	S	RING-KLIP 5304-25
35	20505	0		PIVOT-THREADED
36	20506	0		PIVOT-ROD
37	9718	0		SCR-HXSKT 1/4-20X.625
38	20531	0		BUSHING-.5X.38X.815 (REPLACED BY #9060)
39	20564	0		KIT-RODCRANK (REPLACED BY #20719)
40	20532	0	S	BUSHING-.5X.38X.4
41	9704	0		SCR-HH 5/16-18X1.0 G5 ZP

20595 PONY III 5HP STD (S/N S101751-S164132)  
HANDLE BARS & CONTROL LEVERS

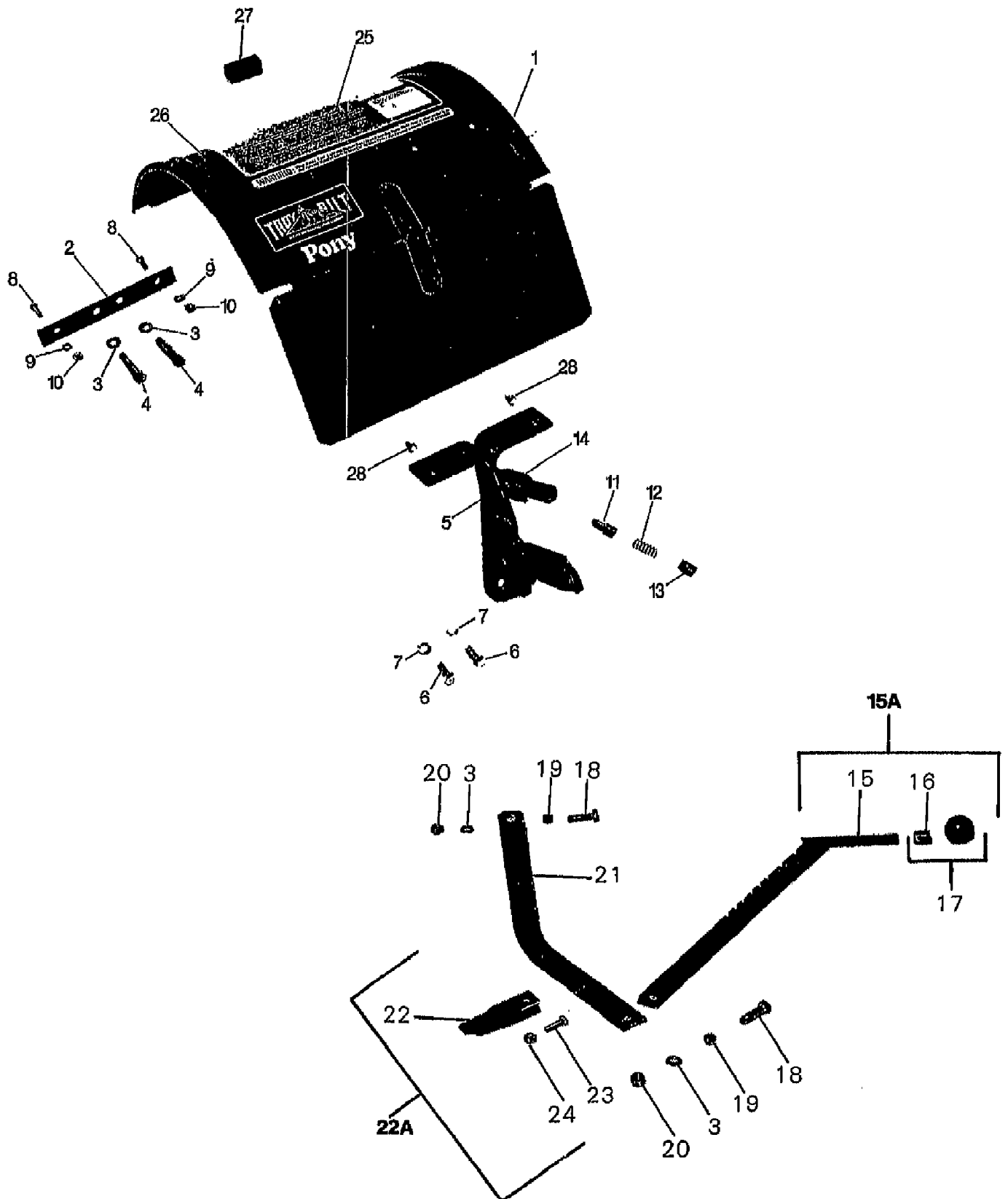


20595 PONY III 5HP STD (S/N S101751-S164132)  
HANDLE BARS & CONTROL LEVERS

Page 6 of 16

Ref #	Part Number	Qty	S/P/F	Description
1	20438	0		ASSM-HANDLEBAR (INCL. 2-5)
2	9117	0		GRIP-HANDLEBAR
3	20399	0		DECAL-CONTROL PANEL
4	9211	0		GROMMET-PLASTIC (PART OF OPERATOR CONTROL PANEL)
5	20629	0		ASSM-CLAMP
6	20539	0		PLATE-HANDLEBAR ADJUST
7	20349-03	0		BRKT-HANDLEBAR MTG
8	9710	0		SCR-HH 3/8-16X1.0 G5 ZP (FASTENS HANDLEBAR ATTACHMENT BRACKET TO TRANSMISSION TOP COVER)
8A	9711	0		SCR-HH 3/8-16X1.0 G5 ZP (TO ATTACH HANDLEBARS TO HANDLEBAR ATTACHMENT BRACKET)
9	9904	0	S	WASHER-FLAT 3/8 SAE
10	9837	0	S	NUT-LOCK 3/8-16 NYLON ZP
11	9913	0		WASHER-LK .375 @ DEPL
14	9338	0	S	PIN-CLIP .08
15	20602	0		ASSM-DRIVE CNTL ROD (INCL. KNOB #9208)
15	20630	0		ASSM-DRIVE CNTL ROD (#9208 KNOB NOT INCL.)
16	9208	0		KNOB-DRIVE CNTRL ROD
17	20343	0		ROD-CONTROL
18	9336	0	S	PIN-CLEVIS .183X1.0 ZP
19	9198	0		GRIP-CONTROL ROD
20	9191	0		CABLE-THROTTLE (INCL. #22 ONLY)
21	9202	0	S	TIE-RED (TO SECURE THROTTLE CABLE TO HANDLEBARS)
22	9212	0	S	KNOB-THROTTLE CABLE
23	9722	0		SCR-RH M10-32X.5 MACH
24	9909	0		WASHER-LK M10
25	9809	0		NUT-HH M10-32X.125

20595 PONY III 5HP STD (S/N S101751-S164132)  
HOOD & DEPTH REGULATOR



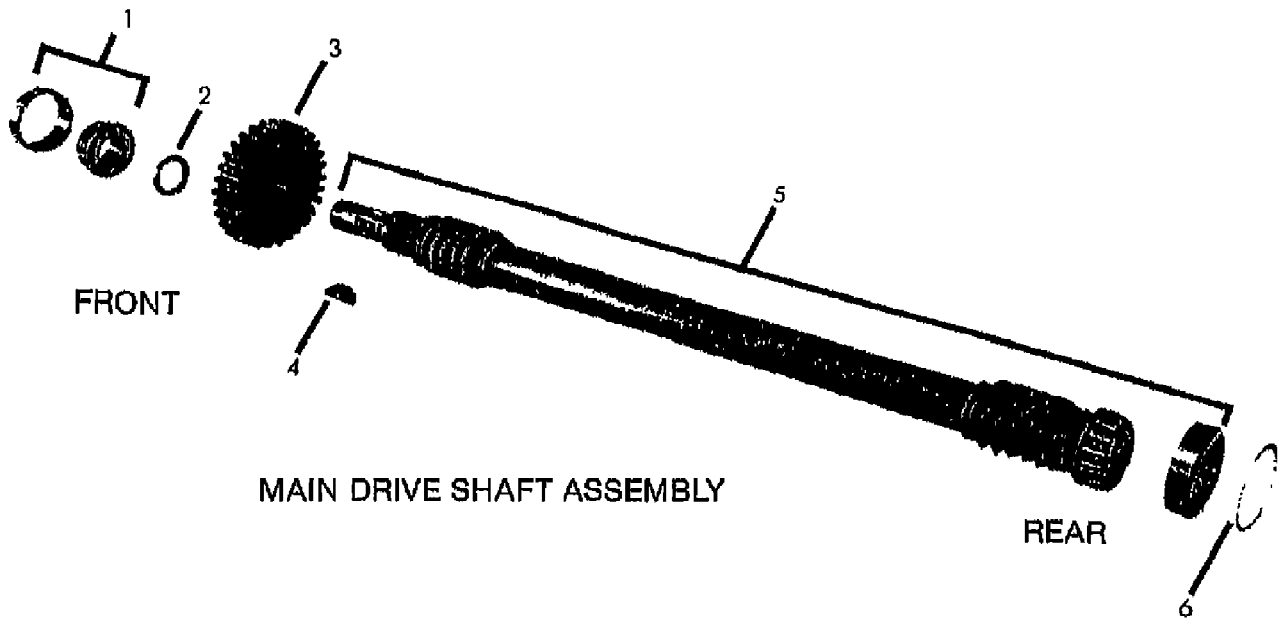
20595 PONY III 5HP STD (S/N S101751-S164132)  
HOOD & DEPTH REGULATOR

Page 8 of 16

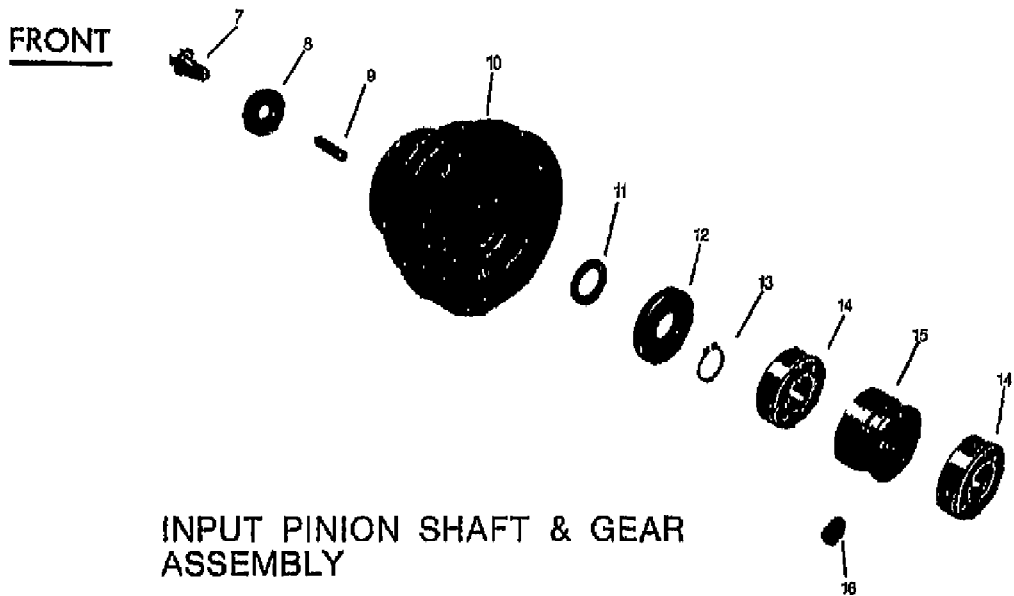
Ref #	Part Number	Qty	S/P/F	Description
1	20663	0		HOOD W/DECAL (#20662 & #20401)
2	20397	0		PLATE-HOOD MTG (REPLACES SHORTER VERSION USED ON P14465 & EARLIER)
3	9913	0		WASHER-LK .375 @ DEPL
4	9569	0		BOLT-HH 3/8-16 X 2 ZP
5	2255	0		KIT-REAR HOOD BRKT (INCL. ROLL PIN #9308)
6	9703	0		SCR-HHC 5/16-18X.75 GR 5 ZP (BRACKET TO REAR BEARING CAP)
7	9912	0		WASHER-LK .312 ZP
8	9723	0		SCR-RH 1/4-20 X .75 ZP (HOOD TO PLATE)
9	9910	0		WASHER-LK .25 ZP
10	9800	0		NUT-HEX 1/4-20 ZP
11	1119	0		PLUNGER
12	1120	0		SPRING .406 X 1.25
13	9726	0	S	PLUG-PIPE 1/4 NPT
14	9308	0	S	PIN-ROLL .25 X 1
15A	1117A	0	S	DEPTH REGULATOR W/KNOB (INCL. 15 & 17)
15	0	0		BAR (NOT AVAIL. SEP., SEE #15A)
16	9120	0	S	RING-TOLERANCE .5325 ID
17	9119	0	S	KNOB-CONTROL (INCL. #16)
18	9712	0		SCR-HH 3/8-16X1.25
19	1113-1	0	S	BUSHING-.5X.375X.3 (REPLACES 1113)
20	9802	0		NUT-HEX 3/8-16 ZP
21	20358	0		BAR-DRAG
22A	1307	0		SOD POINT (INCL. #9811, #9701, AND SOD POINT) (NOT AVAIL. SEP.)
22	0	0		SOD POINT (NOT AVAIL. SEP., SEE #22A)
23	9701	0		SCR-HH 1/4-20X.75 G5 ZP
24	9811	0		NUT-LK 1/4-20
25	20662	0		DECAL-OPER INST
26	20401	0		DECAL-HOOD LOGO PONY OPC
27	20631	0		SPACER 1 SQ X 2.25 (BETWEEN HANDLEBAR HEIGHT ADJUSTMENT BRACKET AND HOOD)
28	9552	0	S	SCR-HWH 1/4-20 X .5 STH (HOOD TO HOOD/DEPTH REGULATOR BRACKET)



20595 PONY III 5HP STD (S/N S101751-S164132)  
MAIN DRIVE SHAFT & GEAR ASSEMBLIES



MAIN DRIVE SHAFT ASSEMBLY



INPUT PINION SHAFT & GEAR ASSEMBLY

140wt. Tiller Gear Lube  
#1360A = 2qt.  
#1901964 = 1qt.

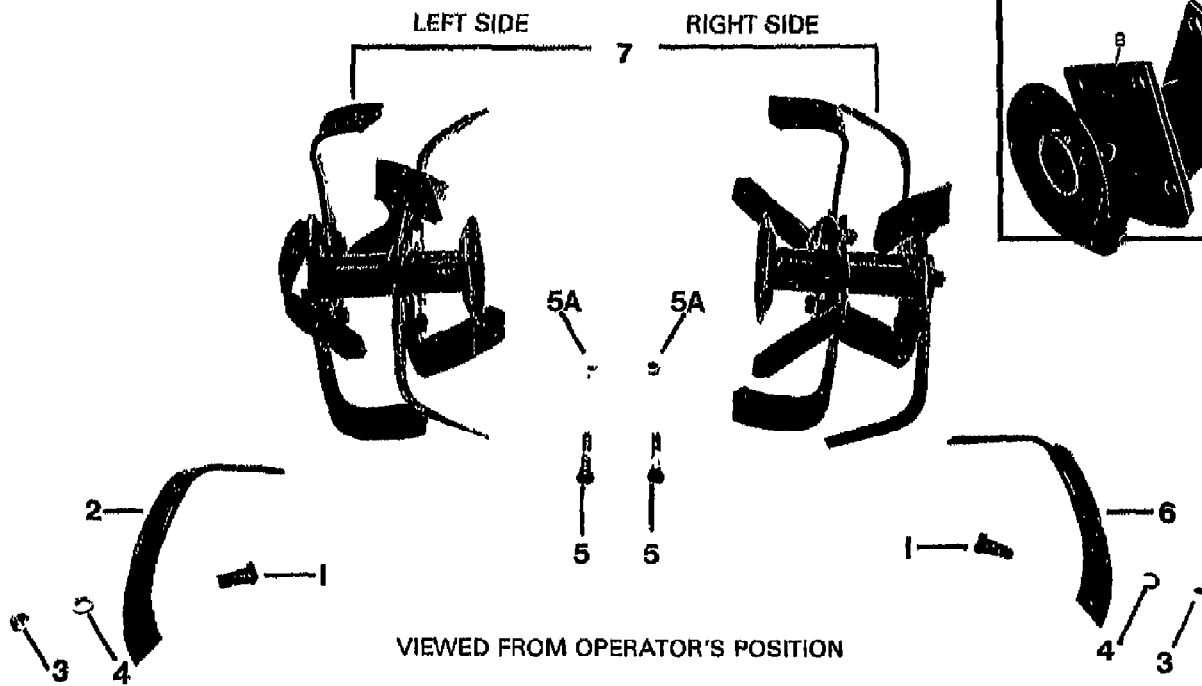


20595 PONY III 5HP STD (S/N S101751-S164132)  
MAIN DRIVE SHAFT & GEAR ASSEMBLIES

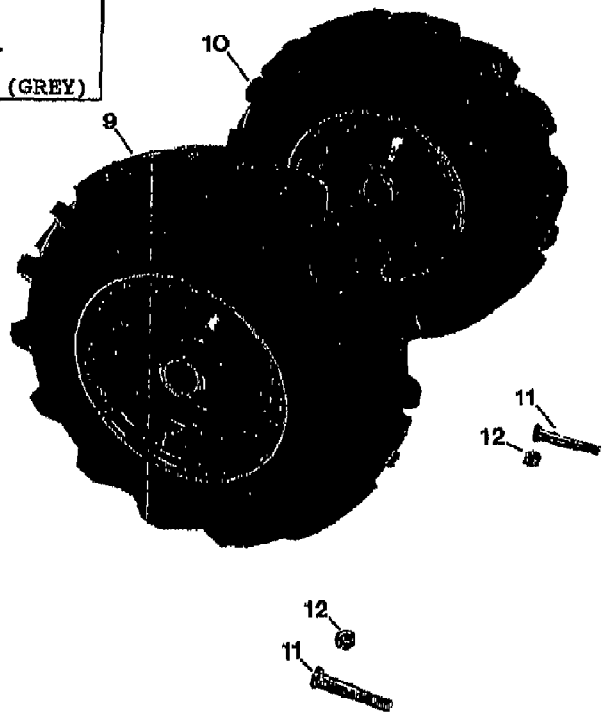
Page 10 of 16

Ref #	Part Number	Qty	S/P/F	Description
1	1714	0	S	KIT-BRG CONE&RACE-DRIVESHAFT
2	9927	0		WASHER-# 1.125X.75X.047
3	20310	0		GEAR-SPUR 30 TEETH
4	9335	0		KEY-WOODRUFF #607
5	1903	0		KIT-DRIVESHAFT PONY 1 (RACE INCL.)
6	1224-1	0	S/F	SHIM-1.75X1.5X.01
6	1224-2	0	S/F	SHIM-1.75X1.5X.03
6	1224-3	0	S/F	SHIM-1.75X1.5X.005
	1325C	0	S/F	SHIM SET-DRIVESHAFT-HORSE
7	9655	0	S	SCR-HH 5/16-24X.75 G5 ZP
8	9944	0	S	WASHER-.827X.331X.098
9	9301	0	S	KEY-.188 SQX1.0
10	20507	0		PULLEY-TRANS MACH (3 GROOVES)
11	20538	0		WASHER-1.03X.614X.075
12	9614	0		SEAL-OIL PINION SHAFT
13	9518	0		RING-RETAIN EXT .669 ID (SNAP RING)
14	9418	0		BRG-METRIC
15	20536	0		SPACER-1.57X1.25X.927
16	9571	0		SCR-SS 5/16-18 X .5
17	20641	0		GEAR-SPLINE 10 TEETH POL (HARDENED TEETH)
	1360A	0		OIL GEAR LUBE 2 QT 140WT
	1901964	0		OIL GEAR LUBE 1 QT 140WT

20595 PONY III 5HP STD (S/N S101751-S164132)  
TINES & WHEELS



WHEEL & TIRE ASSY  
INDIVIDUAL SERVICE PARTS  
# 20676 - TIRE ONLY  
# 20917 - WHEEL RIM ONLY (GREY)

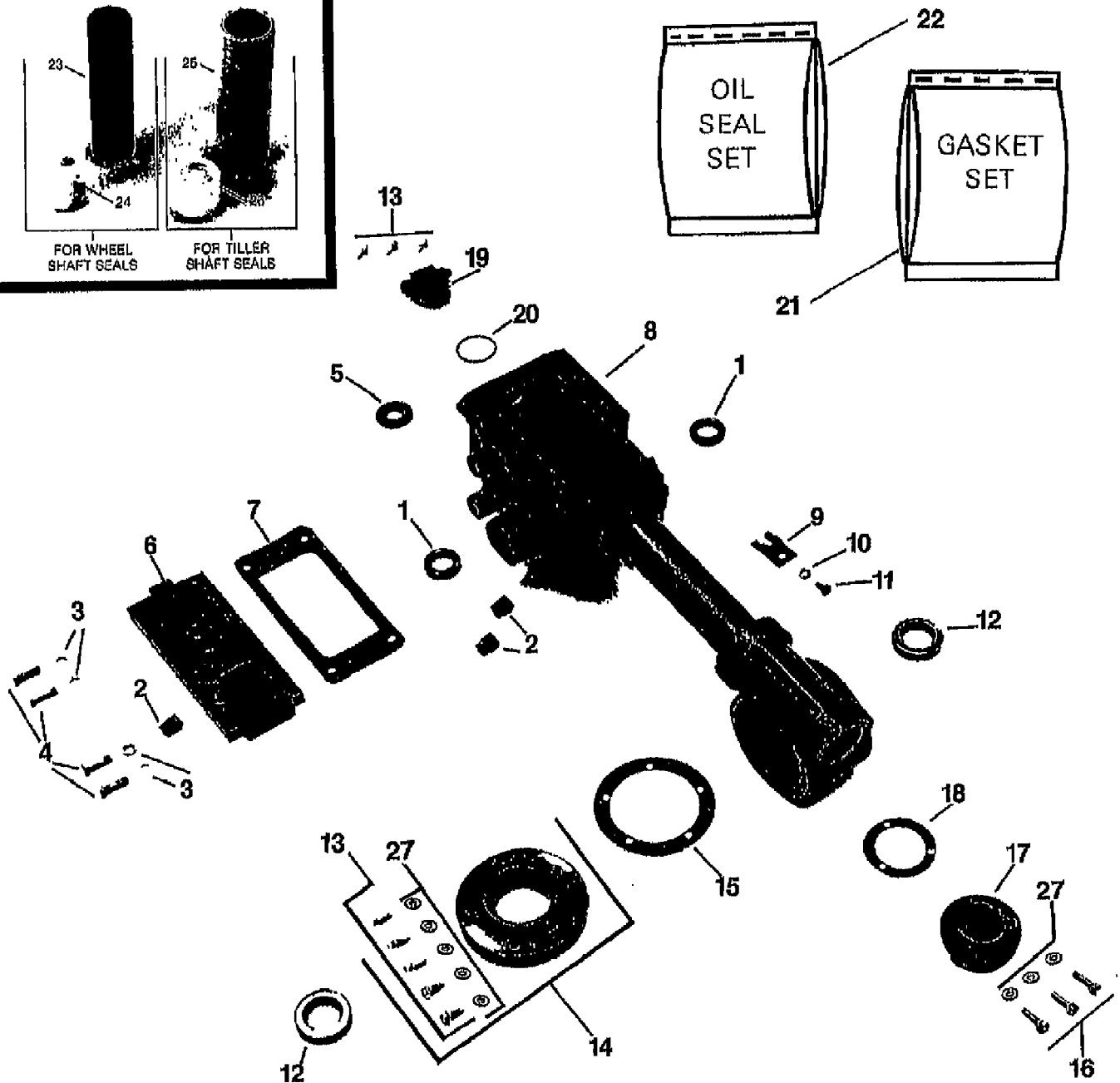
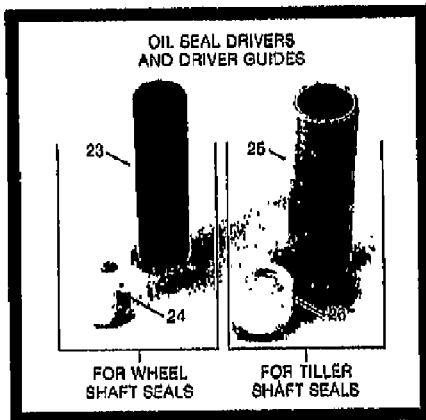


20595 PONY III 5HP STD (S/N S101751-S164132)  
TINES & WHEELS

Page 12 of 16

Ref #	Part Number	Qty	S/P/F	Description
1	9711	0	F	SCR-HH 3/8-16X1.0 G5 ZP
2	1270-2A	0	S/F	TINE-BOLO RT W/HDW
3	9802	0	F	NUT-HEX 3/8-16 ZP
4	9913	0	F	WASHER-LK .375 @ DEPL
5	9761	0	F	SCR-HH 3/8-16X2.00 G8 (HOLDER TO TILLER SHAFT)
5A	9807	0	F	NUT-H/LK 3/8-16
6	1270-1A	0	S/F	TINE-BOLO LT W/HDW
7	1876	0		P-1 BOLO&HOLDS
8	20480	0		T HOLDER
	1348	0	F	TINES-BOLO HORSE/PONY/ECONO
9	20678-01	0	F	ASSM-TIRE LT 4.10 X 6" (10-20LBS. AIR REQ)
10	20678-02	0	F	ASSM-TIRE RT 4.10 X 6"
	20676	0	F	TIRE-4.10 X 6"
	20917	0	F	RIM-WHEEL 6" GRAY
11	9741	0	S/F	BOLT-HH 5/16-18 X 2 G5 ZP
12	9808	0		NUT-H/LK 5/16-18

20595 PONY III 5HP STD (S/N S101751-S164132)  
TRANSMISSION HOUSING & SEALS/GASKET



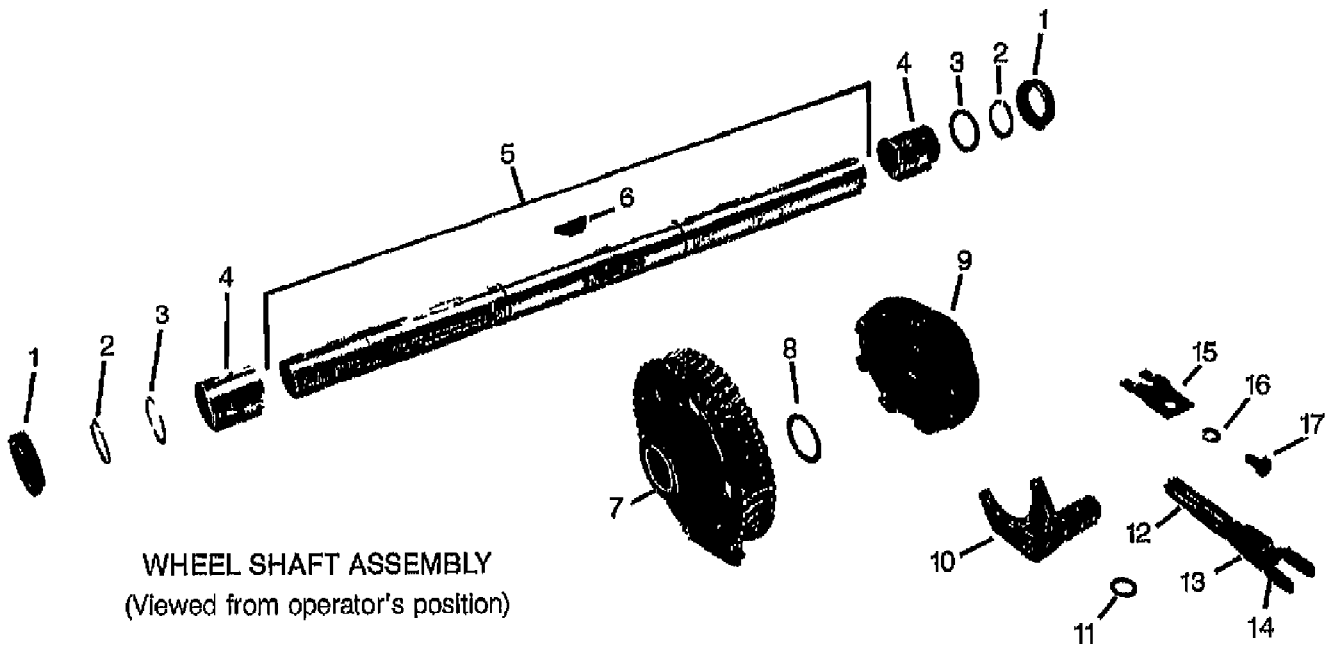
140wt. Tiller Gear Lube  
#1360A = 2qt.  
#1901964 = 1qt.

20595 PONY III 5HP STD (S/N S101751-S164132)  
TRANSMISSION HOUSING & SEALS/GASKET

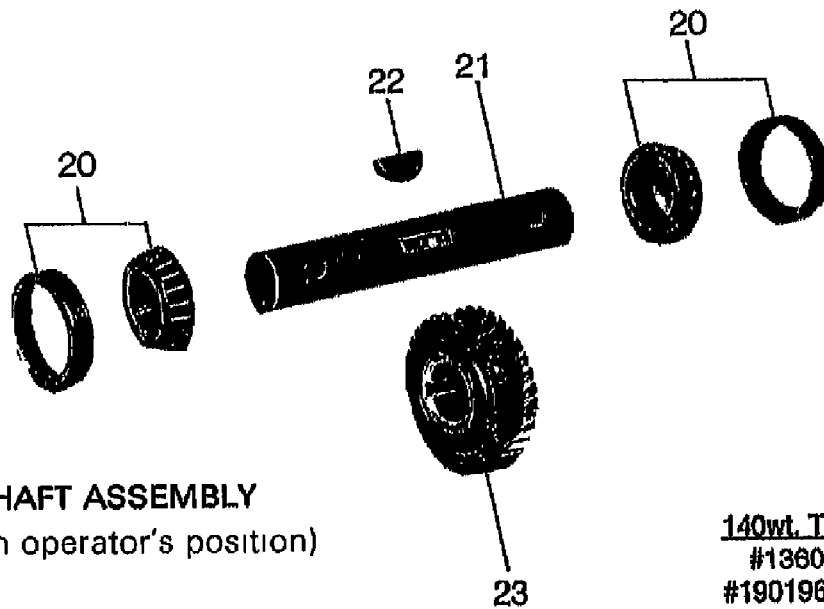
Page 14 of 16

Ref #	Part Number	Qty	S/P/F	Description
1	9621	0	S	SEAL-OIL WHEELSHAFT
2	9727	0	S	PLUG-PIPE 3/8 NPT
3	9912	0		WASHER-LK .312 ZP
4	9574	0		SCR-HH 5/16-18X1.25 G5
5	9614	0		SEAL-OIL PINION SHAFT
6	20512	0		COVER-TRANS MACH
7	20537	0		GASKET-TRANS HSG
8	20593	0		ASSM-TRANS PONY 3-A UNIT (INCL. ONE #9402 REAR BEARING RACE)
9	20325	0		PLATE-FRICTION
10	9910	0		WASHER-LK .25
11	9743	0		SCR-HH 1/4-20X.5 GR5 YEL
12	9618	0		SEAL-OIL TILLERSHAFT
13	9780	0		SCR-HH 1/4-20X.625
14	1872	0	F	COVER-W/SCRS(TLR) (INCL. FIVE #9780)
15	1129-1	0	S/F	GASKET-TILLER COVER (FITS ALL COVERS)
16	9773	0		SCR-HFLK 1/4-20X.875
17	1115	0		CAP-REAR #1115
18	1124-2	0	S/F	GASKET-BRG COVER
19	20511	0		COVER-FRONT BRG MACH
20	9615	0		RING-O 1.625 ID
21	1929	0	F	TRANS GASKET SET-PONY (UNIVERSAL)
22	1930	0	F	SEAL-OIL (PONY)
23	4921-1	0	F	OIL SEAL DRIVER-PLASTIC - (USE WITH PART #4921-2)
24	4921-2	0	F	SEAL-DRIVER PILOT (USE WITH PART #4921-1)
25	1961-1	0	F	H&P SEAL DRIVER (USE WITH PART #1961-2)
26	1961-2	0	F	PILOT-SEAL DRIVER (USE WITH PART #1961-1)
27	0	0	F	WASHER - NYLON, NON-REUSEABLE
	10148	0	F	OBS-KIT NYLON WASHER (INCL. EIGHT #27)
	1360A	0		OIL GEAR LUBE 2 QT 140WT
	1901964	0		OIL GEAR LUBE 1 QT 140WT

20595 PONY III 5HP STD (S/N S101751-S164132)  
WHEEL & TILLER SHAFT ASSEMBLIES



**WHEEL SHAFT ASSEMBLY**  
(Viewed from operator's position)



**TILLER SHAFT ASSEMBLY**  
(Viewed from operator's position)

**140wt. Tiller Gear Lube**  
#1360A = 2qt.  
#1901964 = 1qt.

20595 PONY III 5HP STD (S/N S101751-S164132)  
WHEEL & TILLER SHAFT ASSEMBLIES

Page 16 of 16

Ref #	Part Number	Qty	S/P/F	Description
1	9621	0	S	OIL SEAL--LEFT AND RIGHT SIDES
2	9511	0	S	RING--RETAINING, HEAVY-DUTY,EXTERNAL
3	1166-1	0	S	SHIM--1 1/64" I.D., 0.062" THICK
3	1166-2	0	S	SHIM--AS ABOVE, ONLY 0.030" THICK
3	1166-3	0	S	SHIM--AS ABOVE, ONLY 0.015" THICK
3	1166-4	0	S	SHIM--AS ABOVE, ONLY 0.010" THICK
4	1086	0	S	BUSHING--
5	20660	0		WHEEL SHAFT--(INCL.#9305 KEY)
6	9305	0	S	KEY--HI-PRO, 1/4"X1", CLUTCH TO WHEEL SHAFT
7	20535	0		GEAR--WHEEL DRIVE(WORM GEAR), CAST IRON
8	9935	0	S	SHIM--BETWEEN KEY AND GEAR, 1.016" I.D.X1.468" O.D.X.062" THICK
9	20304	0		CLUTCH--WHEEL DRIVE, CAST IRON
10	20318	0		YOKE--CLUTCH SHIFTING "O" RING--YOKE SHAFT,
11	9603	0		OIL SEAL, FITS IN GROVE CLOSEST TO YOKE
12	20321	0	F	PINION--FOR CLUTCH YOKE
13	9339	0	F	PIN-SPIRAL, 3/16" DIAMETER X 7/8" LONG
14	20350-02	0	F	UNIVERSAL--FOR CLUTCH FORK PINION
15	20325	0		PLATE-FRICTION
16	9910	0		LOCKWASHER--1/4"
17	9743	0		BOLT--HEX HEAD, 1/4"-20X1/2"
20	1715	0	F	BEARING--TAPERED ROLLER, WITH CUP (RACE), TILLER SHAFT, LEFT AND RIGHT SIDES
21	20437	0		TILLER SHAFT, WITH #1104 KEY IT-TILLER GEAR PONY 1-4
22	1104	0	S	KEY--WOODRUFF, 1/4" X 1 1/4", TILLER SHAFT /WORM GEAR
23	20306	0		WORM GEAR--BRONZE, TILLER DRIVE