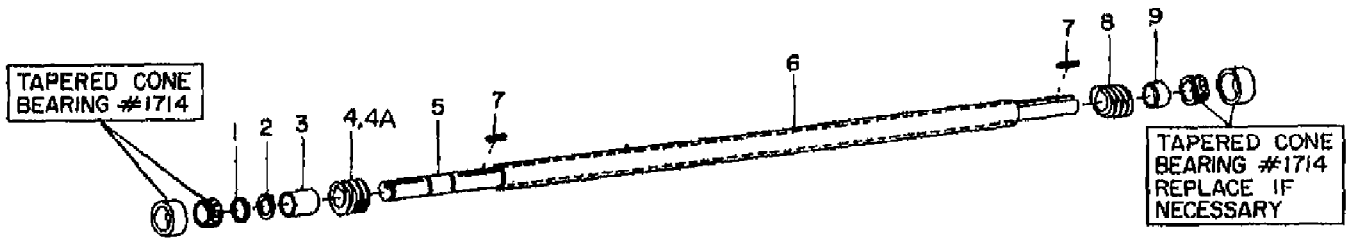
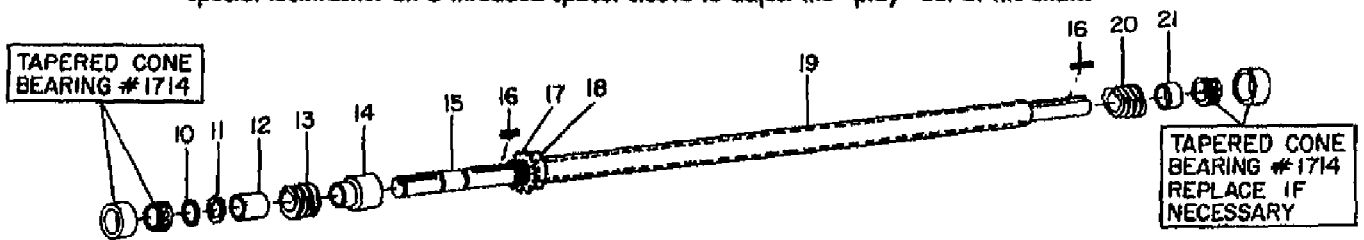


HORSE I 6HP ROTO TILLER (S/N 1001-639999)
ASSEMBLED DRIVE SHAFTS



NOTE 2 —

Tiller Serial Numbers 14158 and below and Tiller Serial Numbers 14518 through 14717 have the drive shaft style shown below. This drive shaft uses an adjustment nut and a special lockwasher on a threaded spacer sleeve to adjust the "play" out of the shaft.

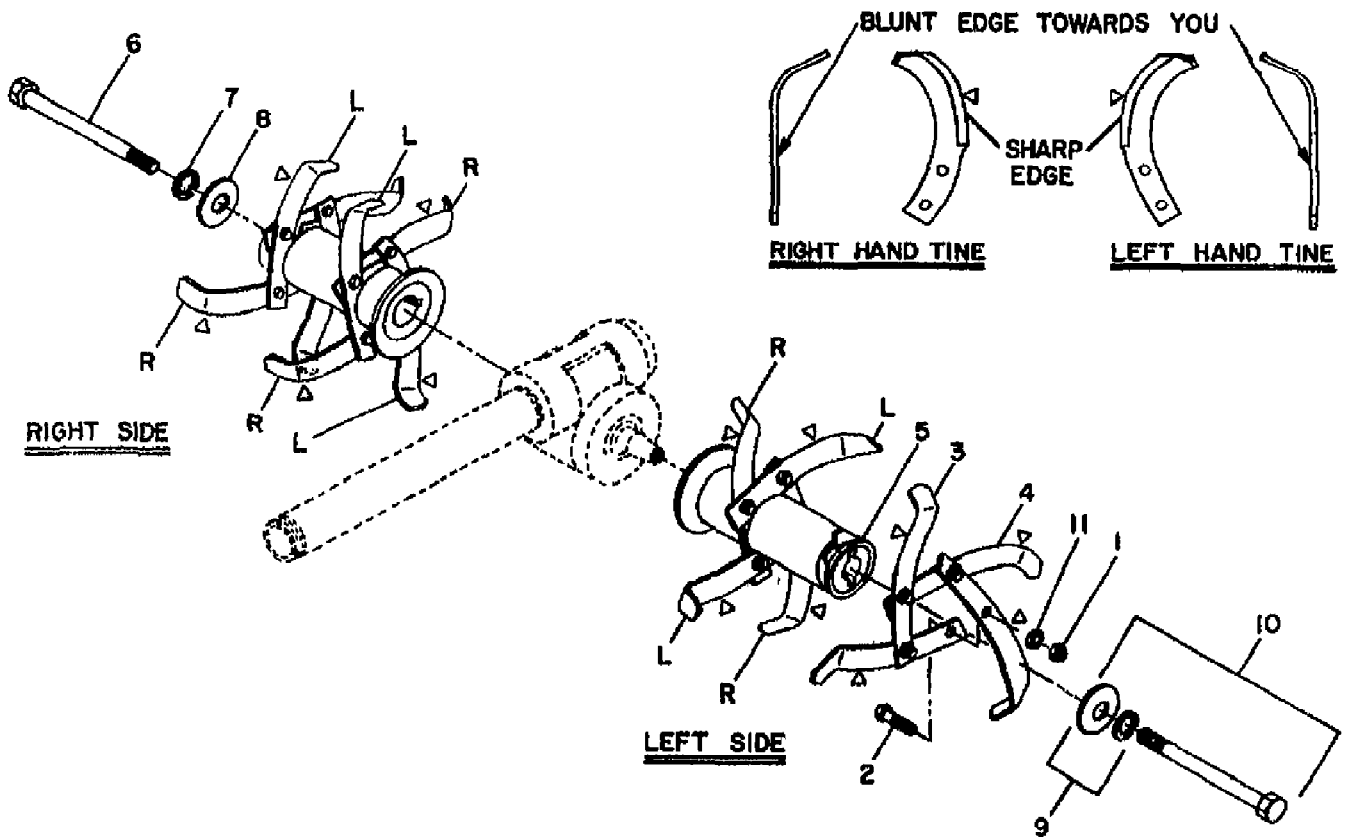


HORSE I 6HP ROTO TILLER (S/N 1001-639999)
ASSEMBLED DRIVE SHAFTS

Page 2 of 26

Ref #	Part Number	Qty	S/P/F	Description
	GW-1714	0	S	KIT-BRG CONE&RACE-DRIVESHAFT
1	GW-1138-1	0	S	SHIM-1.0X.7656X.062
2	GW-9500	0	S	RING-RETAIN EXT .707 ID
3	GW-1065	0		SPACER-1X.76X1.25
4	GW-1220	0		WORM-1.25 PD .26 LEAD
4A	GW-1058	0	/P	GEAR-WORM 1.25 PD .62 LEAD
5	GW-1024	0		DRIVESHAFT-MACH
6	GW-1219	0		SLEEVE-WORM SPACER
7	GW-9301	0	S	KEY-.188 SQX1.0
8	GW-1063	0		WORM-1.25 PD .62 LEAD
9	GW-1066	0		SPACER-1X.76X.54
10	GW-1138-1	0	S/F	SHIM-1.0X.7656X.062
11	GW-9500	0	S/F	RING-RETAIN EXT .707 ID
12	GW-1065	0	F	SPACER-1X.76X1.25
13	GW-1058	0	/P/F	GEAR-WORM 1.25 PD .62 LEAD
14	GW-1070	0	F	SPACER-1.25X(VAR)X1.5
15	GW-1024	0	F	DRIVESHAFT-MACH
16	GW-9301	0	S/F	KEY-.188 SQX1.0
17	GW-1069	0	F	SPACER SLEEVE
18	GW-1068	0	F	NUT 1.0-14 ADJ
19	GW-1067	0	F	TUBING-MACH
20	GW-1063	0	F	WORM-1.25 PD .62 LEAD
21	GW-1066	0	F	SPACER-1X.76X.54

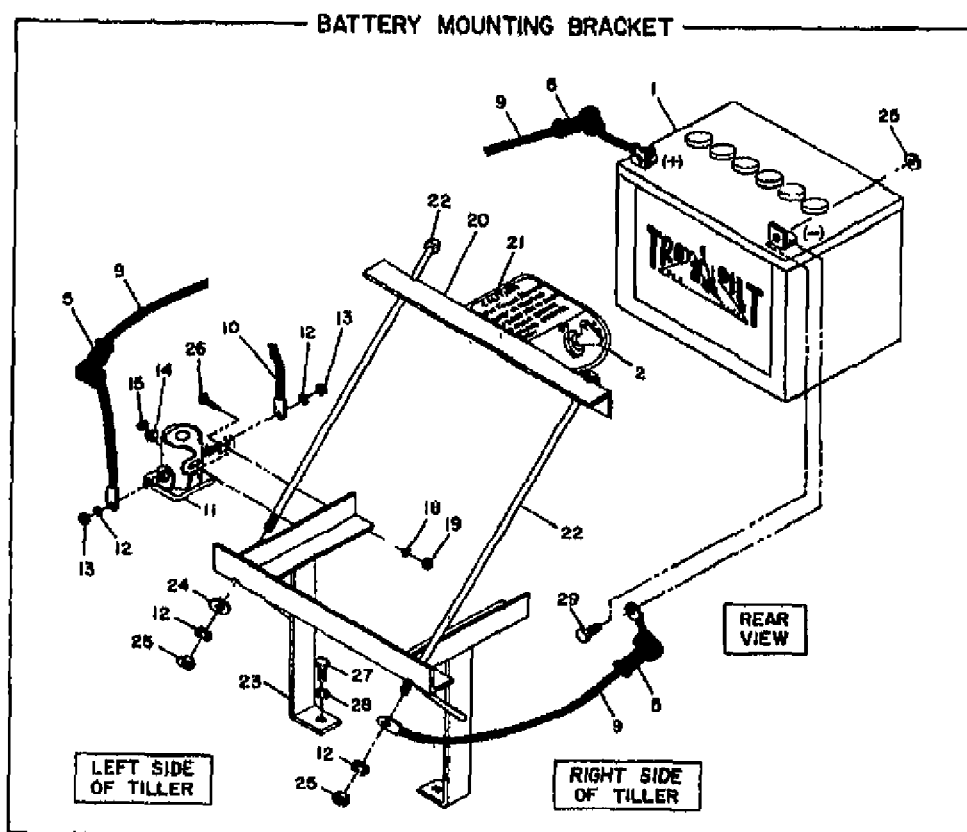
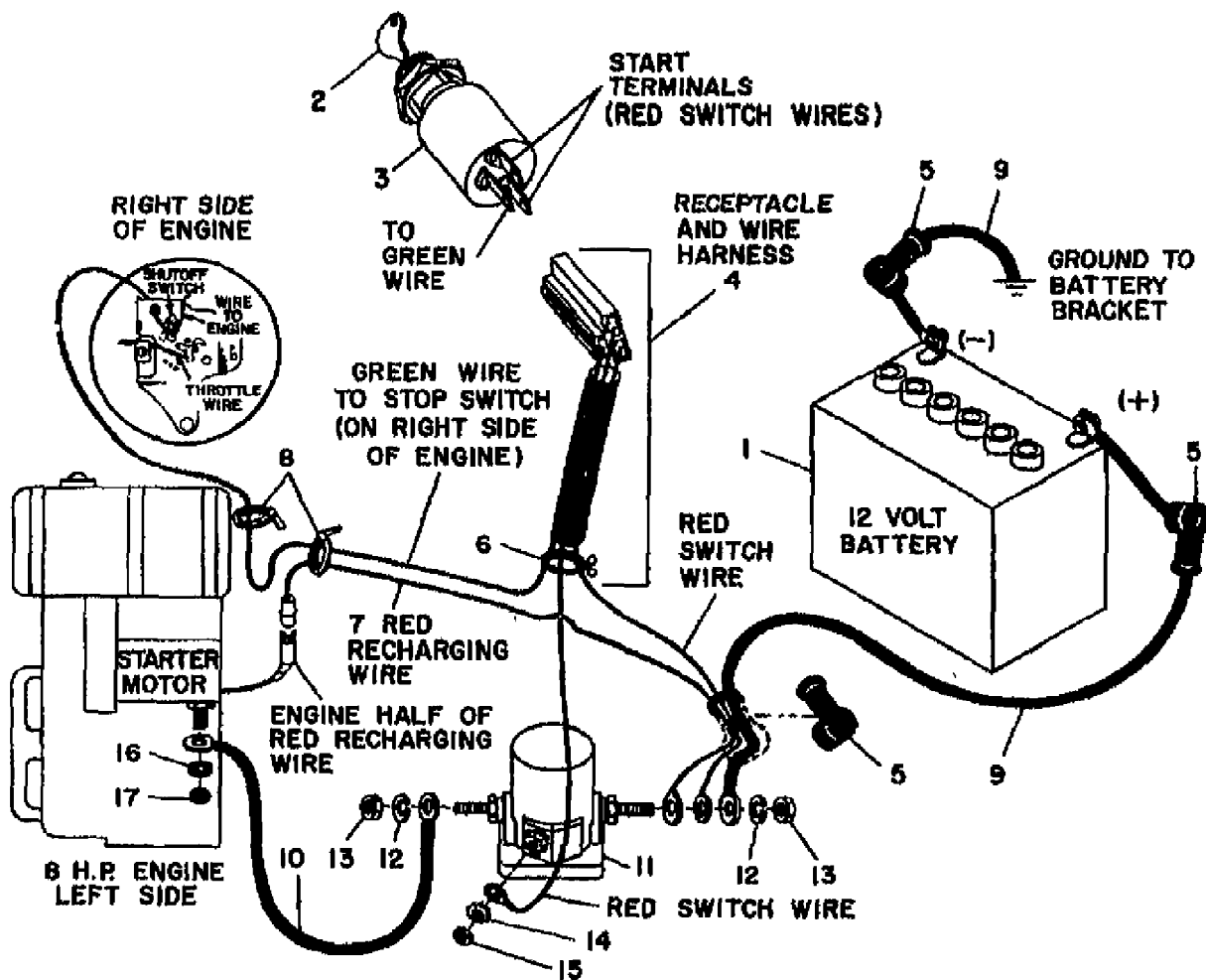
HORSE I 6HP ROTO TILLER (S/N 1001-639999)
BOLO TINES ASSEMBLIES



HORSE I 6HP ROTO TILLER (S/N 1001-639999)
BOLO TINES ASSEMBLIES

Page 4 of 26

Ref #	Part Number	Qty	S/P/F	Description
1	GW-9802	0	S	NUT-HEX 3/8-16 ZP
2	GW-9711	0	S	SCR-HH 3/8-16X1.0 G5 ZP
3	GW-1270-2A	0	S	TINE-BOLO RT W/HDW
4	GW-1270-1A	0	S	TINE-BOLO LT W/HDW
5	GW-1205	0		HOLDER-TINE W/SHIELD
6	GW-1463	0		BOLT-HH 1/2-20 X 5.75 ZP
7	GW-9914	0	S	WASHER-LK .5
8	GW-1461	0		WASHER-#1.75X.531X.187 ZP
9	GW-1207A	0		WASHER-SET BOLO
10	GW-1735	0		KIT-TINE BOLT & WASHER
11	GW-9913	0	S	WASHER-LK .375 @ DEPL
	GW-1246	0		BOLO HOLDERS & TINES
	GW-1245K	0	S	TINES-BOLO HORSE/PONY/ECONO
11	GW-1206	0		KIT-TINE BOLT & WASHER
?12	GW-9908	0	S	WASHER-1.75X.625X.11
?13	GW-9905	0		WASHER-PLAIN 1/2 ZP
?14	GW-9914	0	S	WASHER-LK .5
?15	GW-9805	0	S	NUT-HEX 1/2-20

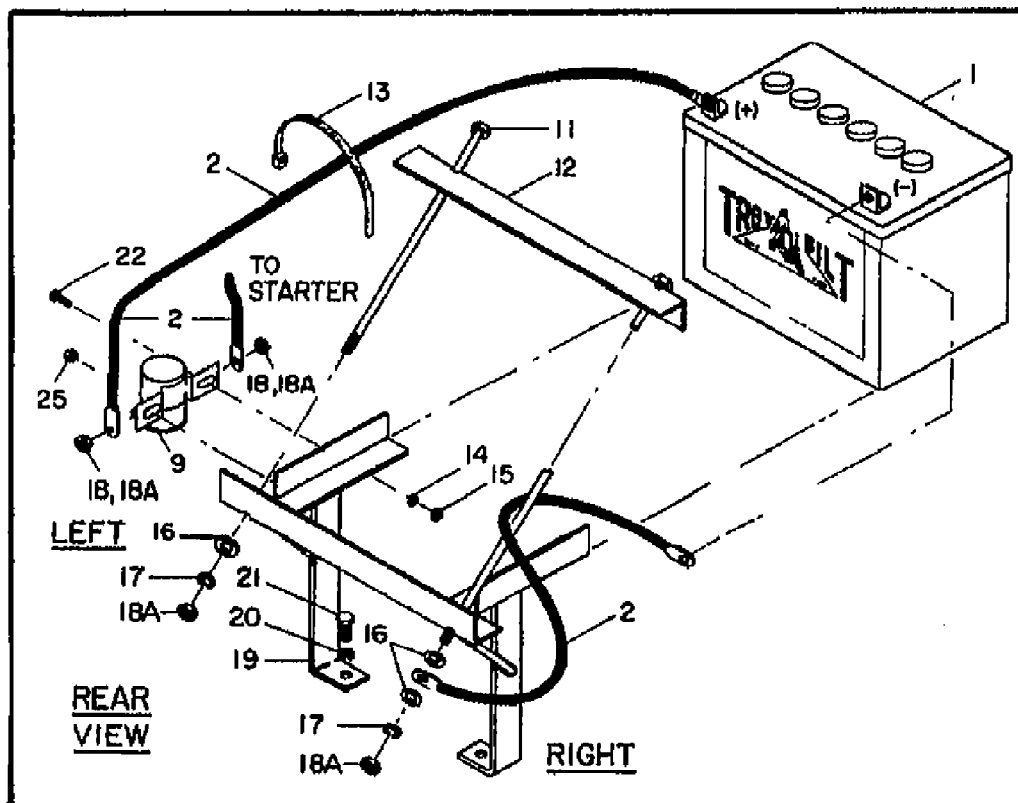
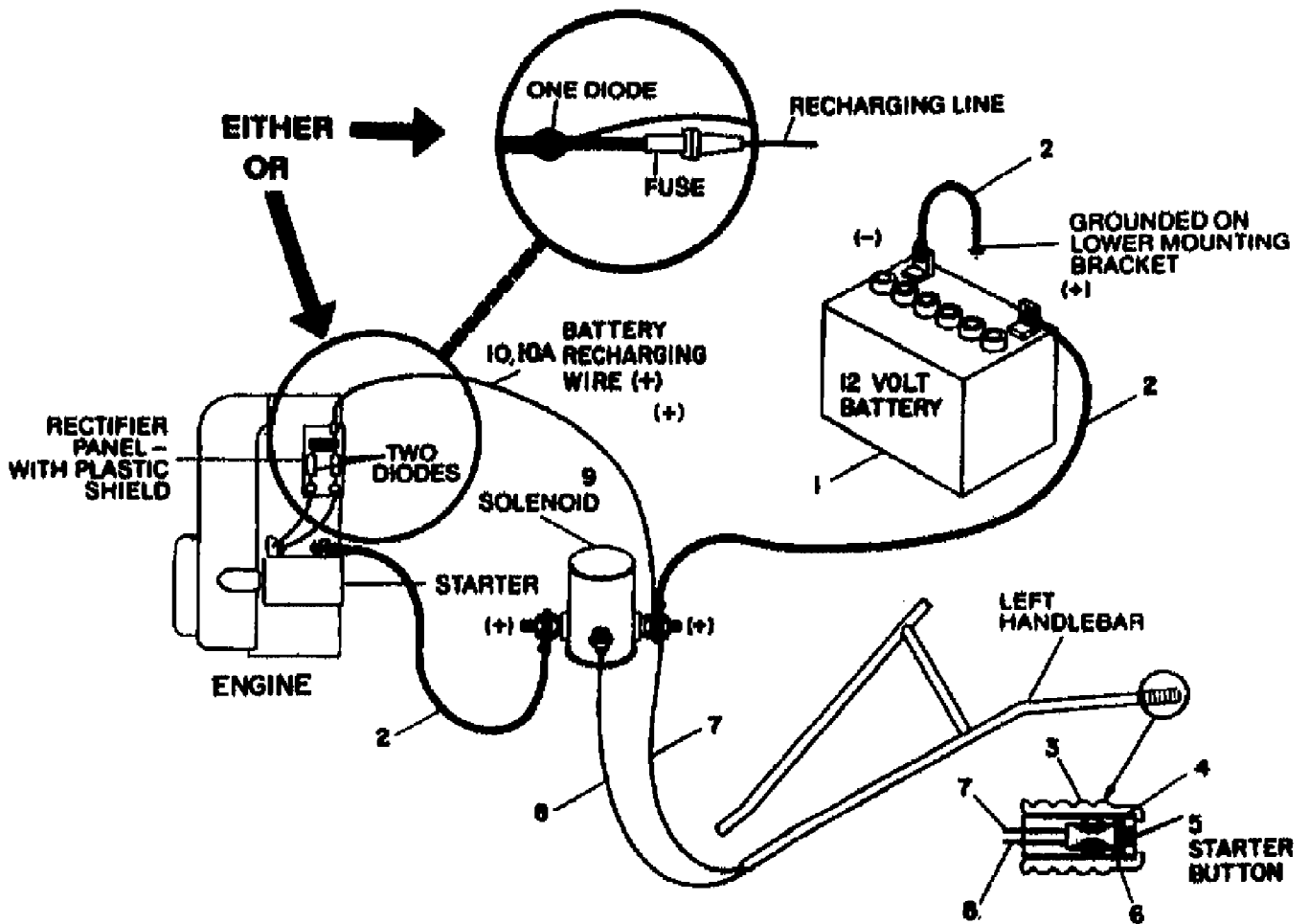


HORSE I 6HP ROTO TILLER (S/N 1001-639999)
ELECTRIC START SYSTEMS (B&S)

Page 6 of 26

Ref #	Part Number	Qty	S/P/F	Description
1	GW-9123	0		KIT-VENTED BATTERY
2	GW-9243	0	S	KEYS(1 PAIR) FOR SWITCH
3	GW-9230	0		KEYSWITCH W/KEYS
4	GW-20424	0		ASSM-HARNESS 2647/20857
5	GW-9255	0		BOOT
6	GW-9265	0	/P	TIE-TWIST LOCK
7	GW-1554	0	S	WIRE-RECHARGE 5&7 BRIGGS
8	GW-9266	0	S	TIE-CABLE NYLON BLACK
9	GW-9295	0	S	CABLE-BATTERY
10	GW-9223	0		CABLE-BATTERY
11	GW-9127	0	S	KIT-SOL W/HDW
12	GW-9912	0	S	WASHER-LK .312 ZP
13	GW-9826	0	S	NUT-HEX 5/16-24
14	GW-9921	0	S	WASHER-EXTERNAL TOOTH 1
15	GW-9809	0	S	NUT-HH M10-32X.125
16	N/A	0		LOCKWASHER 1/4"
17	N/A	0		NUT HEX 1/4"-20
18	GW-9910	0	S	WASHER-LK .25 ZP
19	GW-9800	0	S	NUT-HEX 1/4-20 ZP
20	GW-1468	0		KEYSWITCH PLATE/CLAMP-WELD
21	GW-20418	0	S	DECAL-KEYSWITCH TILLER
22	GW-9706	0		SCR-HH 5/16-18 X 9
23	GW-1169	0		KIT-BATTERY BRKT HORSE
24	GW-9902	0	S	WASHER-FLAT 5/16 SAE
25	GW-9801	0	S	NUT-HEX 5/16-18 ZP
26	GW-9723	0		SCR-RH 1/4-20 X .75 ZP
27	GW-9713	0		BOLT-HH 3/8-16X1.5 FTH ZP
28	GW-9913	0	S	WASHER-LK .375
29	GW-9703	0	S	SCR-HHC 5/16-18X.75 GR 5 ZP

HORSE 1 6HP ROTO TILLER (S/N 1001-639999)
ELECTRIC START SYSTEMS (TEC.)(S/N 291332 & BELOW)

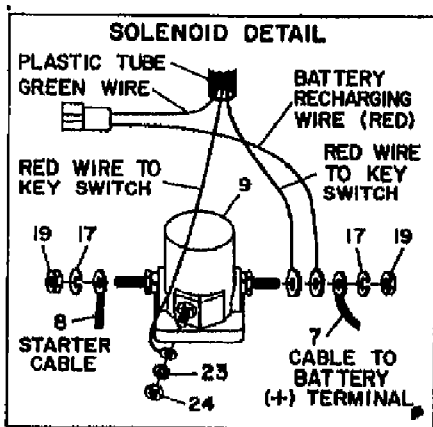
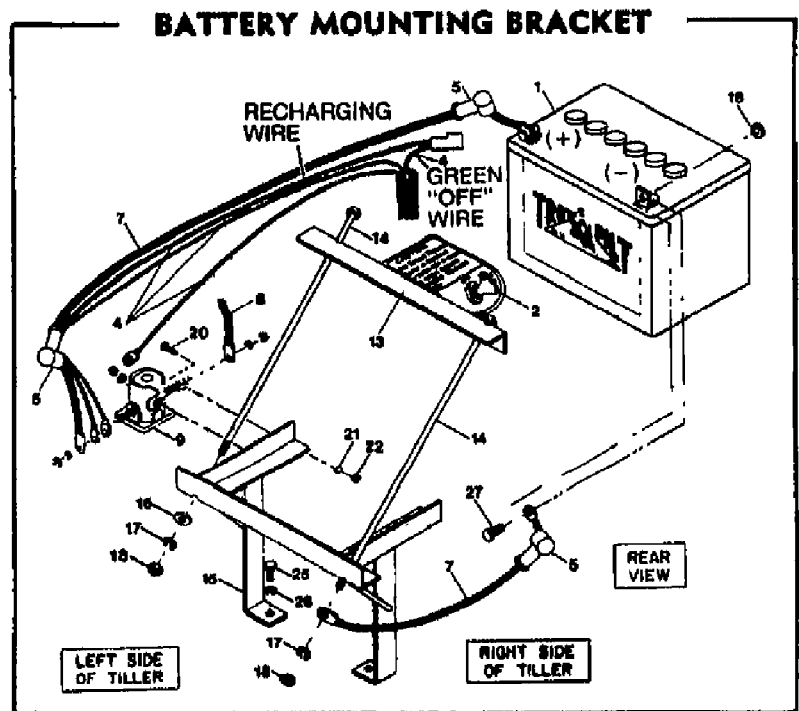
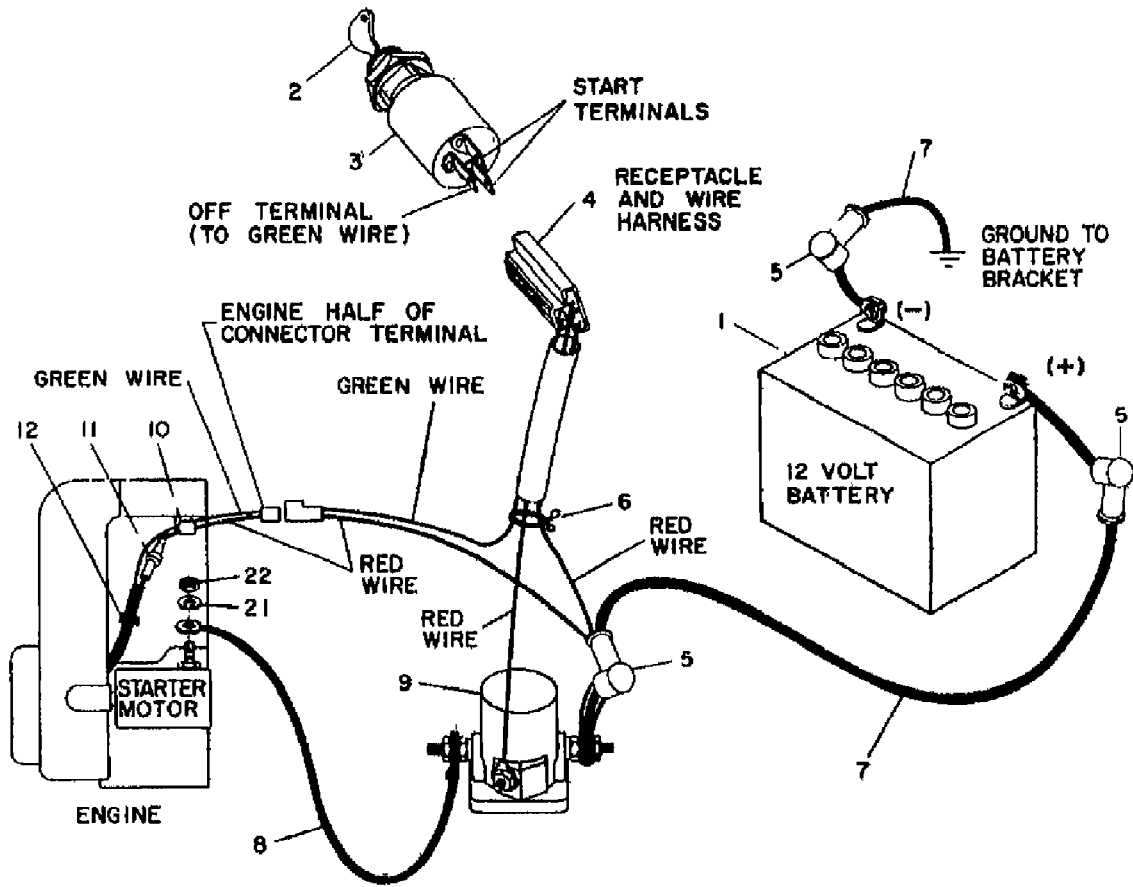


HORSE I 6HP ROTO TILLER (S/N 1001-639999)
ELECTRIC START SYSTEMS (TEC.)(S/N 291332 & BELOW)

Page 8 of 26

Ref #	Part Number	Qty	S/P/F	Description
1	GW-9123	0		KIT-VENTED BATTERY
2	GW-9124	0	S	CABLE-BATTERY
3	GW-9141	0		GRIP-HANDLEBAR
4	GW-1180	0		SPACER-1.25X1X1.375
5	GW-9128	0		SWITCH-STARTER
6	GW-1229	0		WASHER-#1.25X.938X.062
7	GW-1225	0		ASSM-WIRE LG
8	GW-1226	0		ASSM-WIRE SM
9	GW-9127	0	S	KIT-SOL W/HDW
10	GW-1424	0		ASSEMBLY-CONNECTOR
10A	GW-1227	0		ASSM-WIRE SOL/RECTIFIER
	GW-29561	0		FUSE, 6AMPS (TEC. PART NUMBER)
11	GW-9706	0		SCR-HH 5/16-18 X 9
12	GW-1168	0		CLAMP-BATTERY BRKT
13	GW-9202	0	S	TIE-RED
14	GW-9910	0	S	WASHER-LK .25 ZP
15	GW-9800	0	S	NUT-HEX 1/4-20 ZP
16	GW-9902	0	S	WASHER-FLAT 5/16 SAE
17	GW-9912	0	S	WASHER-LK .312 ZP
18	GW-9826	0	S	NUT-HEX 5/16-24
18A	GW-9801	0	S	NUT-HEX 5/16-18 ZP
19	GW-1169	0		KIT-BATTERY BRKT HORSE
20	GW-9913	0	S	WASHER-LK .375 @ DEPL
21	GW-9713	0		BOLT-HH 3/8-16X1.5 FTH ZP
22	GW-9723	0		SCR-RH 1/4-20 X .75 ZP
?23	GW-9218	0	/P	CLIP-SPECIAL
25	GW-9809	0	S	NUT-HH M10-32X.125

HORSE 1 6HP ROTO TILLER (S/N 1001-639999)
ELECTRIC START SYSTEMS (TEC.)(S/N 291333 & ABOVE)

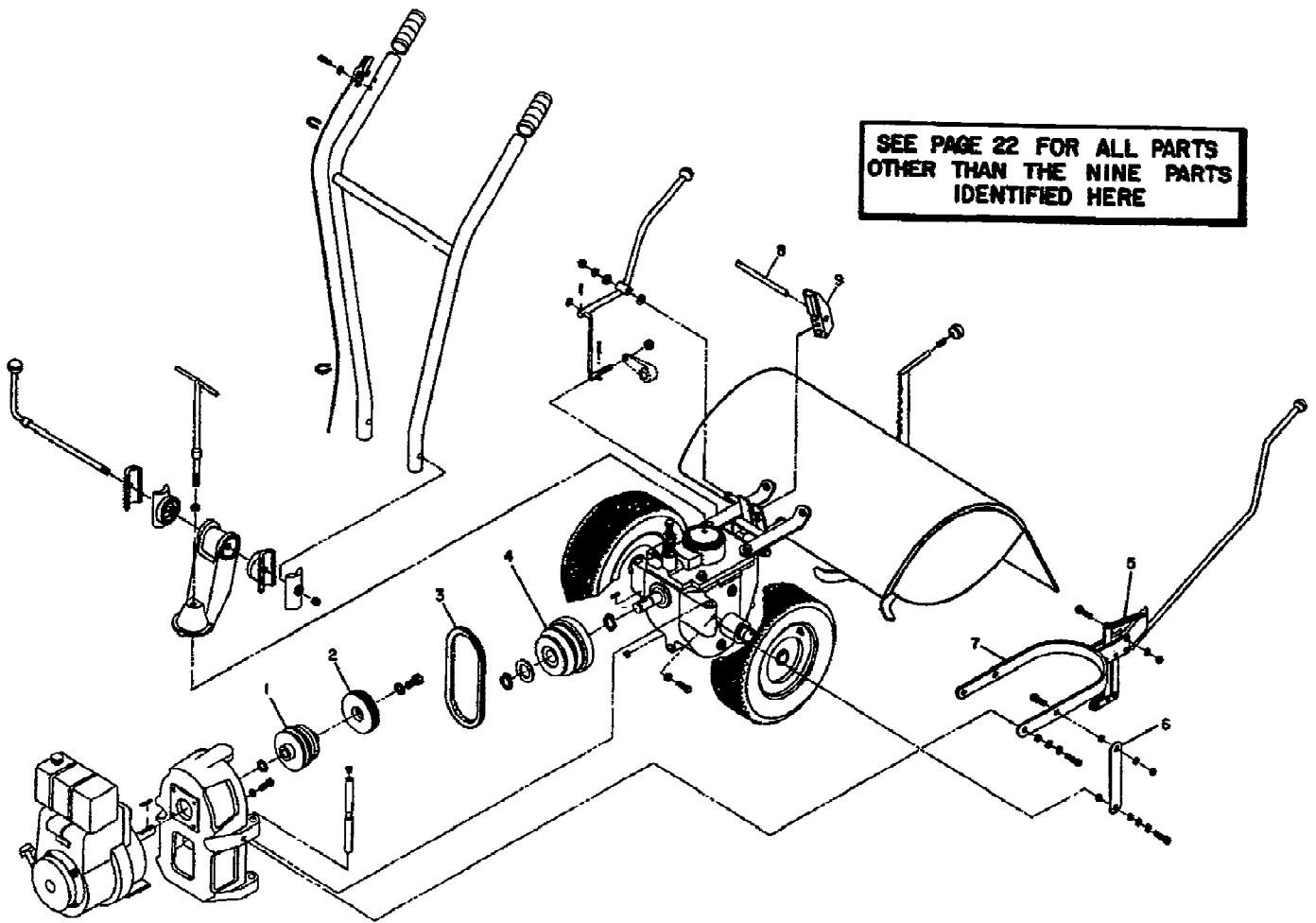


HORSE I 6HP ROTO TILLER (S/N 1001-639999)
ELECTRIC START SYSTEMS (TEC.)(S/N 291333 & ABOVE)

Page 10 of 26

Ref #	Part Number	Qty	S/P/F	Description
1	GW-9123	0		KIT-VENTED BATTERY
2	GW-9243	0	S	KEYS(1 PAIR) FOR SWITCH
3	GW-9230	0		KEYSWITCH W/KEYS
4	GW-1552	0		HARNESS-WIRE 6HP
5	GW-9255	0		BOOT
6	GW-9265	0	/P	TIE-TWIST LOCK
7	GW-9295	0	S	CABLE-BATTERY
8	GW-9223	0		CABLE-BATTERY
9	GW-9127	0	S	KIT-SOL W/HDW
10	GW-9218	0	/P	CLIP-SPECIAL
11	N/A	0		FUSE- 6AM, 3AGC
12	N/A	0		DIODE - BATTERY DISCHARGING
13	GW-1468	0		KEYSWITCH PLATE/CLAMP-WELD
14	GW-9706	0		SCR-HH 5/16-18 X 9
15	GW-1169	0		KIT-BATTERY BRKT HORSE
16	GW-9902	0	S	WASHER-FLAT 5/16 SAE
17	GW-9912	0	S	WASHER-LK .312 ZP
18	GW-9801	0	S	NUT-HEX 5/16-18 ZP
19	GW-9826	0	S	NUT-HEX 5/16-24
20	GW-9723	0		SCR-RH 1/4-20 X .75 ZP
21	GW-9910	0	S	WASHER-LK .25 ZP
22	GW-9800	0	S	NUT-HEX 1/4-20 ZP
23	GW-9921	0	S	WASHER-EXTERNAL TOOTH 1
24	GW-9809	0	S	NUT-HH M10-32X.125
25	GW-9713	0		BOLT-HH 3/8-16X1.5 FTH ZP
26	GW-9913	0	S	WASHER-LK .375 @ DEPL
27	GW-9703	0	S	SCR-HHC 5/16-18X.75 GR 5 ZP
	GW-20418	0	S	DECAL-KEYSWITCH TILLER

HORSE 1 6HP ROTO TILLER (S/N 1001-639999)
ENGINE PULLEY, BELT, CLUTCH CONTROL FOR 4-SPEED MODELS

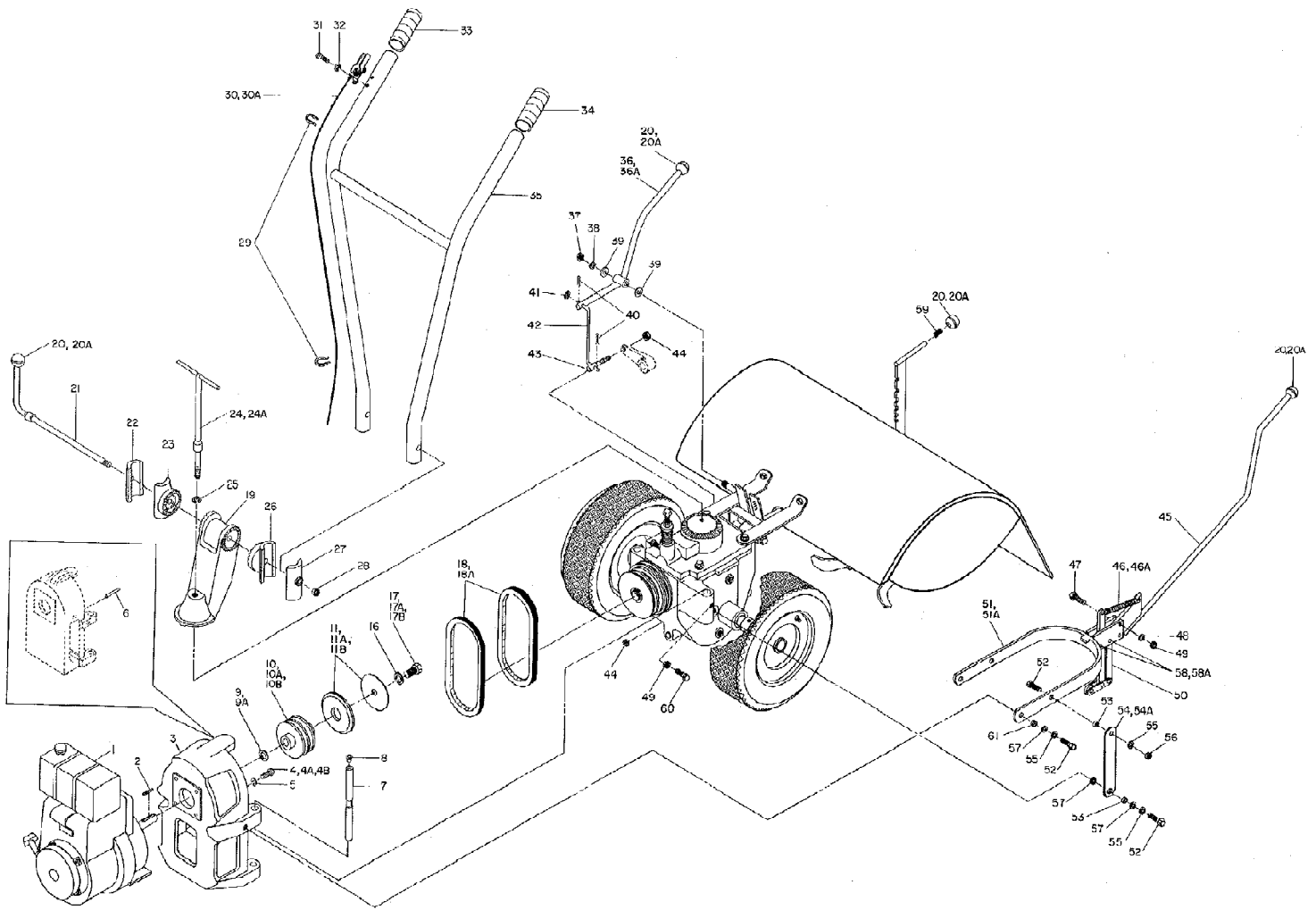


HORSE I 6HP ROTO TILLER (S/N 1001-639999)
ENGINE PULLEY, BELT, CLUTCH CONTROL FOR 4-SPEED MODELS

Page 12 of 26

Ref #	Part Number	Qty	S/P/F	Description
1	GW-1483	0	S	PULLEY-ENG MACH
2	GW-1919	0	/P	KIT-ADJ BLOCK/REV DISC
3	GW-9245	0	/P	BELT-V
4	GW-1484	0	S	PULLEY-TRANS-MACH
5	GW-1492	0	S	SPRING-.436 X 3.25
6	GW-1488	0		BAR-CLUTCH YOKE
7	GW-1921	0		KIT-LEVER FWD/REV-HORSE 2
8	GW-2100	0	/P	BAR-ADJUST
9	GW-1920	0	/P	KIT-ADJ BLOCK 4 SP

HORSE I 6HP ROTO TILLER (S/N 1001-639999)
ENGINE, PULLEYS, BELTS, HANDLES & SHIFTS



HORSE I 6HP ROTO TILLER (S/N 1001-639999)
ENGINE, PULLEYS, BELTS, HANDLES & SHIFTS

Page 14 of 26

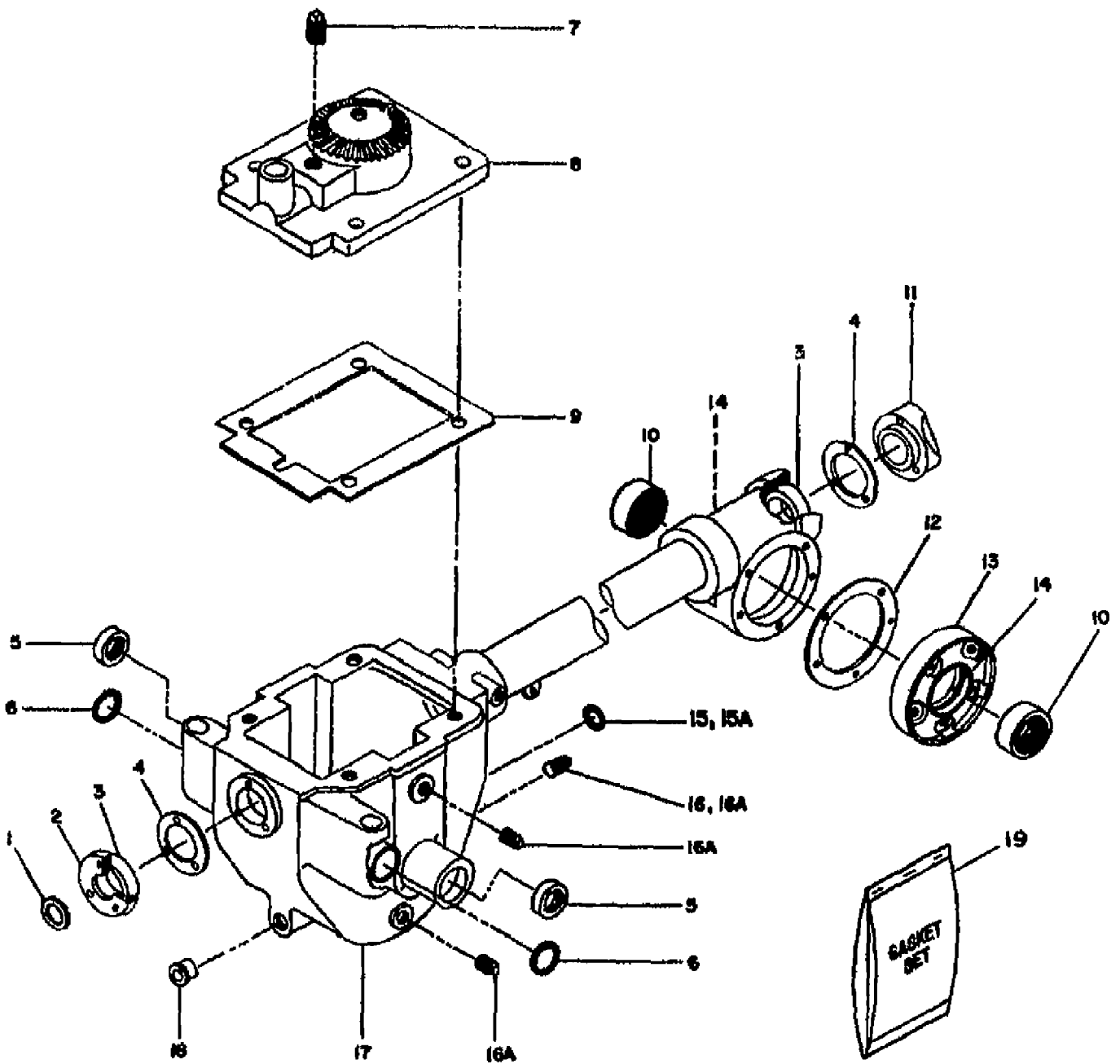
Ref #	Part Number	Qty	S/P/F	Description
1	N/A	1		ENGINE
2	GW-9303	1	/P	KEY-.188 SQ X 2.33
3	GW-1698	1	/P	MOUNT-MOTOR ENG.HSE I,II,III
	GW-9310	1		PIN-SPIROL .25 X 2.5 Not shown
4	GW-9707	1	S	SCR 5/16-24 X 1
4A	GW-9704	1	S	SCR-HH 5/16-18X1.0 G5 ZP
4B	GW-9732	1	S	SCR 5/16-24 X 1
5	GW-9912	1	S	WASHER-LK .312 ZP
7	GW-1034	1	S	BAR-ENG MTG W/CAP PLUG
8	GW-9147	1	/P	PLUG-CAP (RED)
9	GW-1138-1	1	S	SHIM-1.0X.7656X.062
9	GW-1138-2	1	S	SHIM-1.0X.7656X.031
9A	GW-1213	1	S	SHIM-1.0X.7656X.062
10	GW-1483	1	S	PULLEY-ENG MACH For single belt, four speed tillers, S/N 314151 & up
10A	GW-1007-1	1		PULLEY-ENG MACH D/BELT For pair of belts
10B	GW-1007	1		KIT-PULLEY CONVERSION NLA
11	GW-1919	1	/P	KIT-ADJ BLOCK/REV DISC, RUBBER RIMMED For four speed tillers
11A	GW-1072A	1	S	KIT-REV DISC 2 SPEED, HARD FIBER For two speed tillers, use GW-11596
11B	GW-11596	1	/P	KIT-REV DISC 2 SPEED, HARD FIBER For two speed tillers
16	GW-9913	1	S	WASHER-LOCK 3/8
17	GW-9738	1	S	SCR-HH 3/8-24X1.75 ZP
17A	GW-9715	1	S	SCR-HH 3/8-24X1.5 G5
17B	GW-9708	1	S	BOLT-HH 5/16-24 X 1.5 ZP
18	GW-9245	1	/P	BELT-V For single belt, four speed tillers
18A	GW-1128	1		KIT-V BELT For two speed tillers
19	GW-1019	1		KIT-BASE ASSM
20	GW-9119	1	/P	KNOB-CONTROL
20A	GW-9136	1		KNOB-THREADED 1/2"-13 threads
21	GW-1881	1	/P	STUD-H/BAR W/NUT & RING
22	GW-1021-2	1	S	CLAMP-RH HORSE 1021-2
23	GW-1020-2	1	S	RATCHET-RT H/BAR CAST
24	GW-1043	1		T-CLAMP WELD
24A	GW-1167	1		SCR-5/8 (2373/1043)
25	GW-9915	1	S	WASHER-LK .625 ZP
26	GW-1020-1	1	S	RATCHET-LT H/BAR CAST
27	GW-1021-1	1	S	CLAMP-LH HORSE 1021-1
28	GW-9803	1	S	NUT-HEX JAM 1/2-13
29	GW-9116	1	S	TIE-RED
30	GW-9240	1		CABLE-THROTTLE
30A	GW-9115	1		CABLE-THROTTLE
31	GW-9733	1	/P	SCR-PHS M10-32X.5 STH ZP
32	GW-9909	1	S	WASHER-LK M10
33	GW-9118	1	S	GRIP-H/BAR SMOOTH
34	GW-9141	1		GRIP-HANDLEBAR
35	GW-1046A	1		ASSM-HANDLEBAR NLA
36	GW-1843	1		LEVER-SPD SHIFT W/KNOB NLA

HORSE I 6HP ROTO TILLER (S/N 1001-639999)
ENGINE, PULLEYS, BELTS, HANDLES & SHIFTS

Page 15 of 26

Ref #	Part Number	Qty	S/P/F	Description
36A	GW-1230A	1		LEVER-WHL SPEED W/KNOB NLA
37	GW-9806	1	S	NUT-H/LK 1/2-20 ZP
38	GW-9914	1	S	WASHER-LK .5
39	GW-9907	1		WASHER-PLAIN 1/2 ZP
40	GW-9317	1	/P	PIN-COTTER .094X1.0
41	GW-9902	1	S	WASHER-FLAT 5/16 SAE
42	GW-1231	1	/P	ROD-CONNECTING
43	GW-1033	1	/P	SWIVEL
44	GW-9808	1	S	NUT-H/LK 5/16-18
45	GW-1134A	1		TRAC-RER NLA
46	GW-1492	1	S	SPRING-.436 X 3.25
46A	GW-1122	1		SPRING-.406 X 3.125
47	GW-9705	1		SCR-HH 5/16-18X1.25 G5ZP
48	GW-9912	1	S	WASHER-LK .312 ZP
49	GW-9801	1	S	NUT-HEX 5/16-18 ZP
50	GW-1042	1	S	KIT-ROLLER - Clutch, Forward & Reverse HORSE 1 & 2
50	GW-1051A	1	/P	KIT-ROLLER REPAIR
51	GW-1921	1		KIT-LEVER FWD/REV-HORSE 2 NLA
51A	GW-1037	1		YOKE-2SP WELD PNT
52	GW-9710	1	S	SCR-HH 3/8-16X1.0 G5 ZP
53	GW-1113-1	1	S	BUSHING-.5X.375X.3
54	GW-1488	1		BAR-CLUTCH YOKE
54A	GW-1098	1		LINK-CLUTCH YOKE NLA
55	GW-9913	1	S	WASHER-LK .375
56	GW-9802	1	S	NUT-HEX 3/8-16 ZP
57	GW-9904	1	S	WASHER-FLAT 3/8 SAE
58	GW-9323	1		PIN-SPIROL .313 X 1.0
58A	GW-1136	1		RIVET, TRACTOR-R.E.R. 11HP 36" NLA
59	GW-9120	1	/P	RING-TOLERANCE .5325 ID
60	GW-9704	1	S	SCR-HH 5/16-18X1.0 G5 ZP
61	GW-2146	1	/P	BUSHING-.5X.375X.325

HORSE 1 6HP ROTO TILLER (S/N 1001-639999)
SEALS, COVERS, GASKETS, AND PIPE PLUGS



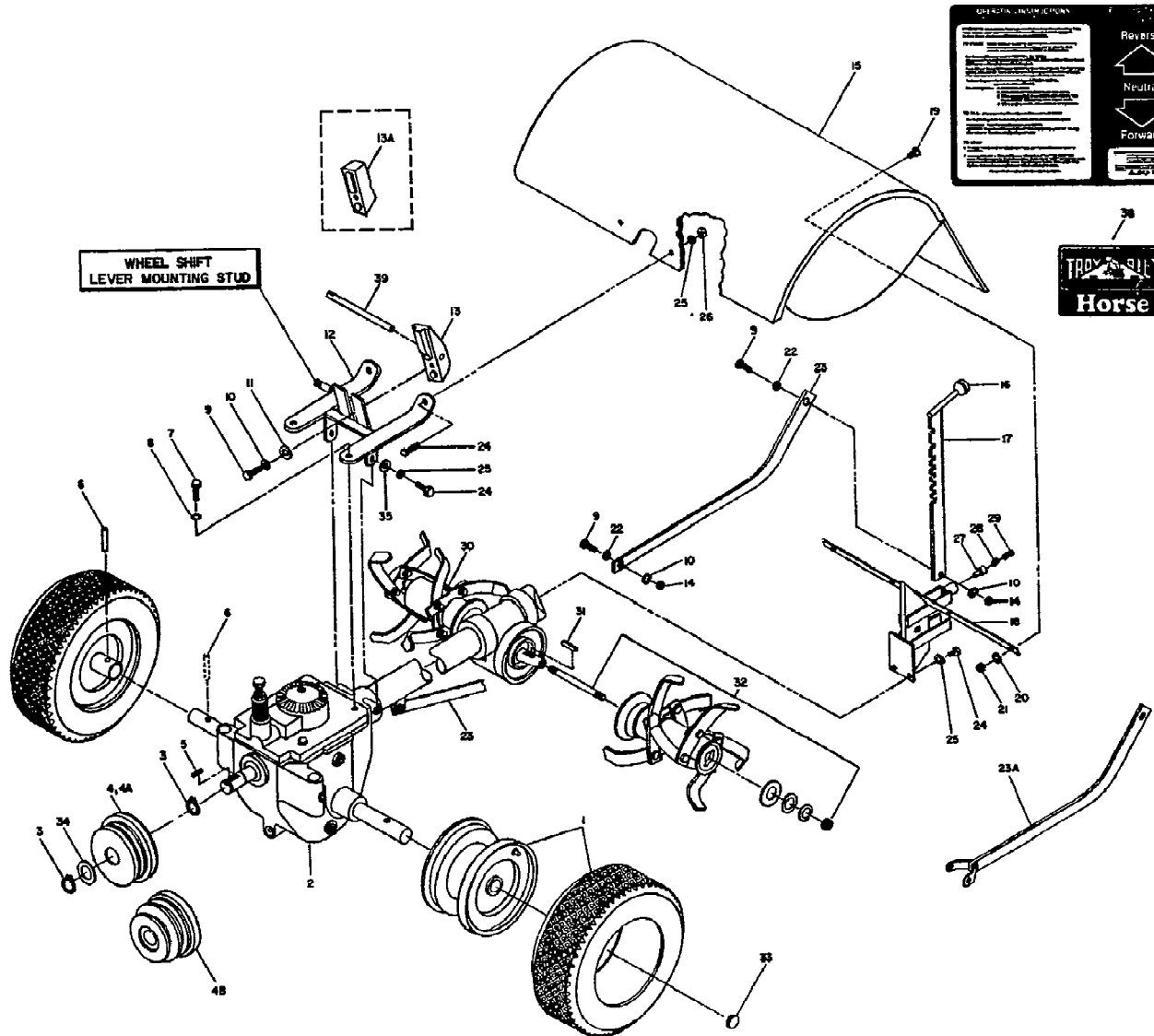
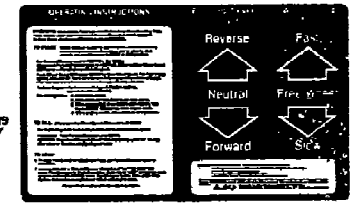
HORSE I 6HP ROTO TILLER (S/N 1001-639999)
SEALS, COVERS, GASKETS, AND PIPE PLUGS

Page 17 of 26

Ref #	Part Number	Qty	S/P/F	Description
	GW-1360A	0	S	OIL
1	GW-9600	0	S	SEAL-PINION SHAFT PT/85030/00
2	GW-1114	0	S	COVER-FRONT
3	GW-1714	0	S	KIT-BRG CONE&RACE-DRIVESHAFT
4	GW-1124-2	0	S	GASKET-BRG COVER
5	GW-9609	0	S	SEAL-OIL WHEELSHAFT
6	GW-9604	0	/P	RING-O 1 ID
7	GW-9727	0	S	PLUG-PIPE 3/8 NPT
8	GW-1003	0		ASSM-COVER W/BOLT-HORSE
9	GW-1123	0	/P	GASKET-TRANS COVER
10	GW-9616	0	S	SEAL-OIL TILLERSHAFT
11	GW-1115	0	S	CAP-REAR #1115
12	GW-1129-1	0	S	GASKET-TILLER COVER
12	GW-1129-2	0	S	GASKET-TILLER COVER
13	GW-1872	0	S	COVER-W/SCRS(TLR) (9780)
14	GW-11527	0	/P	KIT-TILLER GEAR & BRGS
15	GW-9611	0	S	SEAL-OIL ECCENTRIC
15A	GW-9603	0	/P	RING-O .625 X .438
16	GW-9727	0	S	PLUG-PIPE 3/8 NPT
16A	GW-9726	0	S	PLUG-PIPE 1/4 NPT
17	N/A	0		CASE
18	GW-9122	0	/P	PLUG-CAP (RED)
19	GW-1121A	0	/P	TRANS GASKET SET

HORSE I 6HP ROTO TILLER (S/N 1001-639999)
TINES, HOOD, WHEELS & DEPTH REGULATOR

HOOD DECALS 37

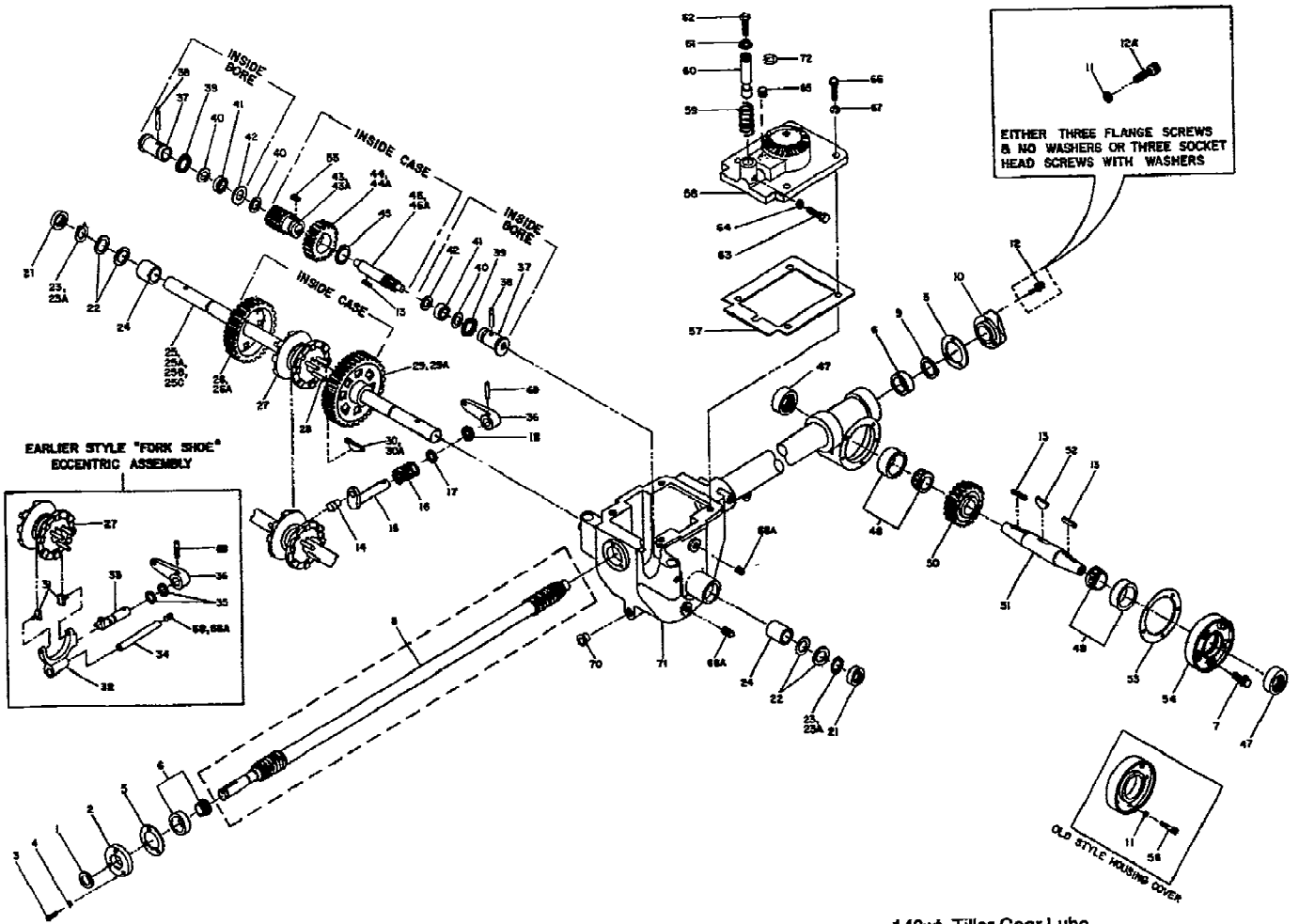


HORSE I 6HP ROTO TILLER (S/N 1001-639999)
TINES, HOOD, WHEELS & DEPTH REGULATOR

Page 19 of 26

Ref #	Part Number	Qty	S/P/F	Description
1	GW-9142	0	F	ASSM-STD TIRE
2	N/A	0		CASE
3	GW-9500	0	S	RING-RETAIN EXT .707 ID
4	GW-1008-1	0	/P	PULLEY-TRANS MACH 2 BELT
4A	GW-1008	0	S	KIT-PULLEY CONVERSION
4B	GW-1484	0	S	PULLEY-TRANS-MACH
5	GW-9301	0	S	KEY-.188 SQX1.0
6	GW-9322	0	S	PIN-SPIROL .313 X 1.5
7	GW-9713	0		BOLT-HH 3/8-16X1.5 FTH ZP
8	GW-9913	0	S	WASHER-LK .375 @ DEPL
9	GW-9710	0	S	SCR-HH 3/8-16X1.0 G5 ZP
10	GW-9913	0	S	WASHER-LK .375 @ DEPL
11	GW-9903	0	S	WASHER-1.0X.438X.104 ZP
12	GW-1077	0		BRKT-FRONT HOOD WELD
13	GW-1920	0	/P	KIT-ADJ BLOCK 4 SP
13A	GW-1133-1A	0	/P	BLOCK-BELT ADJUST MACH
14	GW-9802	0	S	NUT-HEX 3/8-16 ZP
15	GW-1519	0	S	HOOD W/DECALS HI&II
16	GW-9119	0	/P	KNOB-CONTROL
17	GW-1117A	0	S	DEPTH REGULATOR W/KNOB
18	GW-1076	0		KIT-REAR HOOD BRKT
19	GW-9723	0		SCR-RH 1/4-20 X .75 ZP
20	GW-9910	0	S	WASHER-LK .25 ZP
21	GW-9800	0	S	NUT-HEX 1/4-20 ZP
22	GW-1113-1	0	S	BUSHING-.5X.375X.3
23	GW-4763	0	S	BAR-DRAG PNT RED
23A	GW-1116	0	S/F	ASSM-WELD DRAG BAR PNT
24	GW-9703	0	S	SCR-HHC 5/16-18X.75 GR 5 ZP
25	GW-9912	0	S	WASHER-LK .312 ZP
26	GW-9801	0	S	NUT-HEX 5/16-18 ZP
27	GW-1119	0		PLUNGER
28	GW-1120	0		SPRING .406 X 1.25
29	GW-9726	0	S	PLUG-PIPE 1/4 NPT
30	N/A	0		BOLO TINE ASSEMBLY, RIGHT
31	GW-9301	0	S	KEY-.188 SQX1.0
32	N/A	0		SEE TINE ASSEMBLIES, PAGES 18 & 19
33	GW-9145	0	S	CAP-HUB BLK PLASTIC
34	GW-1138-1	0	S	SHIM-1.0X.7656X.062
35	GW-9902	0	S	WASHER-FLAT 5/16 SAE
?36	GW-9712	0	S	SCR-HH 3/8-16X1.25
37	GW-1239	0		DECAL-HOOD
38	GW-1238	0	S	DECAL-HORSE LOGO OPC
39	GW-2100	0	/P	BAR-ADJUST

HORSE I 6HP ROTO TILLER (S/N 1001-639999)
TRANSMISSION ASSEMBLIES



140wt. Tiller Gear Lube
#1360A = 2qt.
#1901964 = 1qt.

HORSE I 6HP ROTO TILLER (S/N 1001-639999)
TRANSMISSION ASSEMBLIES

Page 21 of 26

Ref #	Part Number	Qty	S/P/F	Description
	GW-1360A	0	S	OIL
1	GW-9600	0	S	SEAL-PINION SHAFT PT/85030/00
2	GW-1114	0	S	COVER-FRONT
3	GW-9701	0	S	SCR-HH 1/4-20X.75 G5 ZP
4	GW-9910	0	S	WASHER-LK .25 ZP
5	GW-1124-2	0	S	GASKET-BRG COVER
6	GW-1714	0	S	KIT-BRG CONE&RACE-DRIVESHAFT
7	GW-9780	0	S	SCR-HH 1/4-20X.625
8	GW-1902	0	/P	KIT-DRIVESHAFT HORSE
9	GW-1224-1	0	S	SHIM-1.75X1.5X.01
9	GW-1224-2	0	S	SHIM-1.75X1.5X.03
9	GW-1224-3	0	S	SHIM-1.75X1.5X.005
10	GW-1115	0	S	CAP-REAR #1115
11	GW-9911	0	/P	WASHER-LK .25 HI-COLLAR
12	GW-9773	0	S	SCR-HFLK 1/4-20X.875
12A	GW-9719	0	/P	SCR-HXSKT 1/4-20X1.0
14	GW-1442	0	S	PIN-.375 X .72
15	GW-1568	0	S	SHAFT-ECCENTRIC HORSE TLR
16	GW-1441	0	/P	SPRING .845 X 1.25
17	GW-1440	0	S	WASHER # .875 X .65 X .06
18	GW-9611	0	S	SEAL-OIL ECCENTRIC
21	GW-9609	0	S	SEAL-OIL WHEELSHAFT
22	GW-1166-1	0	S	SHIM-1.375X1.015X.062
22	GW-1166-2	0	/P	SHIM-1.375X1.015X.03
22	GW-1166-3	0	/P	SHIM-1.375X1.015X.015
22	GW-1166-4	0	S	SHIM-1.375X1.015X.01
22	GW-1166-5	0	S	SHIM-1.375X1.015X.005
23	GW-9511	0	S	RING-HEAVY EXT .906 ID
23A	GW-9501	0	S	RING-RETAINING 5100-100
24	GW-1086	0	S	BUSHING-1.25X1.005X1.5
25	GW-1878	0	/P	KIT-WHEELSHAFT
25A	GW-1235A	0	S	KIT-WHEELSHAFT
25B	GW-1879	0	/P	KIT-WHEELSHAFT
25C	GW-1025	0	S	KIT-WHEELSHAFT
26	GW-1232	0	/P	GEAR-SPUR 46 TEETH MACH
26A	GW-1005	0		GEAR-SPUR-50 TEETH-MACH
27	GW-1237	0	/P	CLUTCH-MACH
28	GW-1112	0	/P	PIN-CLUTCH .25 2.65
?29	GW-1223	0	/P	GEAR-SPUR 56 TEETH MACH
?29A	GW-1004	0		GEAR-SPUR 60 TEETH-MACH
30	GW-9357	0	S	KEY-HI PRO .25X1.812
30A	GW-9305	0	S	KEY-HI PRO .25X1.062
?31	GW-1094	0	S	PIN-.375 X .72
32	GW-1016	0		CLUTCH FORK
33	GW-1027A	0	/P	SHAFT-ECC WITH O RING
34	GW-1041	0		PIN-.5X4.0 FORK #
35	GW-9603	0	/P	RING-O .625 X .438
36	GW-1029	0	S	LEVER-ECC. #1029
13	GW-9301	0	S	KEY-.188 SQX1.0
37	GW-1060A	0	/P	PLUG-PINION BRG W/RING
38	GW-9309	0	S	PIN-SPIROL .25 X 2.0
39	GW-9604	0	/P	RING-O 1 ID
40	GW-1132-1	0	/P	SHIM-1.234X1.015X.033

HORSE I 6HP ROTO TILLER (S/N 1001-639999)
TRANSMISSION ASSEMBLIES

Page 22 of 26

Ref #	Part Number	Qty	S/P/F	Description
40	GW-1132-2	0	/P	SHIM-1.234X1.015X.062
40	GW-1132-3	0	/P	SHIM-1.234X1.015X.01
41	GW-9404	0	/P	BRG-BALL (7 BALLS)
42	GW-1126	0	/P	WASHER-# 1X.484X.06
43	GW-1233	0	/P	GEAR-SPUR 20 TEETH MACH
43A	GW-1056	0		GEAR-SPLINE-16 TEETH-MACH
44	GW-1221	0		GEAR-WORM 36 TEETH MACH
44A	GW-1057	0		GEAR-WORM-30 TEETH-MACH
45	GW-9502	0	/P	RING-RETAINING 5100-150
46	GW-1222	0	/P	GEAR-SPLINE 10 TEETH MACH
46A	GW-1055	0		GEAR-SPLINE 6 TEETH MACHINE
?55	GW-9300	0	/P	KEY
13	GW-9301	0	S	KEY-.188 SQX1.0
?19	GW-9911	0	/P	WASHER-LK .25 HI-COLLAR
47	GW-9616	0	S	SEAL-OIL TILLERSHAFT
48	0	0		TAPERED, BEARING & CUP
50	0	0		WORM GEAR
?50A	GW-11527	0	/P	KIT-TILLER GEAR & BRGS
51	GW-1026A	0	/P	SHAFT-TILLER W/KEY
52	GW-1104	0	/P	KEY-WOODRUFF .25X1.12
53	GW-1129-1	0	S	GASKET-TILLER COVER
53	GW-1129-2	0	S	GASKET-TILLER COVER
54	GW-1872	0	S	COVER-W/SCRS(TLR) (9780)
?56	GW-9718	0	S	SCR-HXSKT 1/4-20X.625
57	GW-1123	0	/P	GASKET-TRANS COVER
58	GW-1003	0		ASSM-COVER W/BOLT-HORSE
59	GW-1251	0	/P	SPRING .78 X 2.125
?59A	GW-1496	0	S	SPRING-REV PLUNGER ZP
60	GW-1035	0	/P	ASSM-NEUTRAL PLUNGER
61	GW-9831	0	S	NUT-HFLK 3/8-16 ZP
62	GW-9558	0		BOLT-HH 3/8-16X1.5 FTH ZP
63	GW-9751	0	S	SCR-HH 5/16-18X1.0 G5 ZP
64	GW-9801	0	S	NUT-HEX 5/16-18 ZP
65	GW-9727	0	S	PLUG-PIPE 3/8 NPT
66	GW-9713	0		BOLT-HH 3/8-16X1.5 FTH ZP
67	GW-9913	0	S	WASHER-LK .375 @ DEPL
68	GW-9727	0	S	PLUG-PIPE 3/8 NPT
?68A	GW-9726	0	S	PLUG-PIPE 1/4 NPT
?69	GW-9307	0	S	PIN-SPIROL .188 X 1.25
70	GW-9122	0	/P	PLUG-CAP (RED)
71	N/A	0		TRANSMISSION CASE, HOUSING & TUBE ASSEMBLY
72	GW-9504	0	S	RING-KLIP EXT .594 ID ZP

No
Diagram
Available

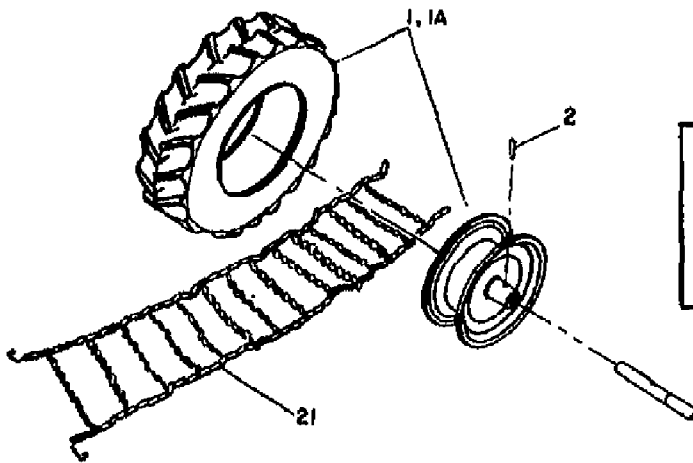
Parts List
Only

HORSE I 6HP ROTO TILLER (S/N 1001-639999)
WHEEL GEAR COMBINATIONS & WHEEL-TO-TINE RATIOS

Page 24 of 26

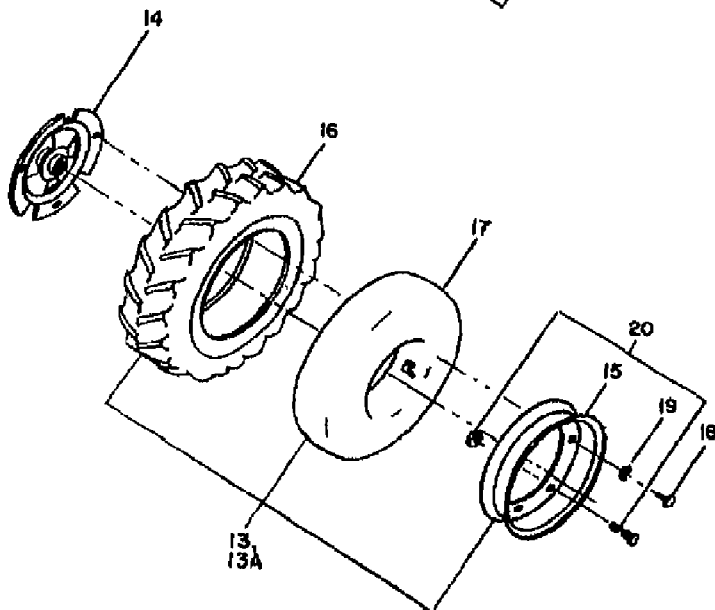
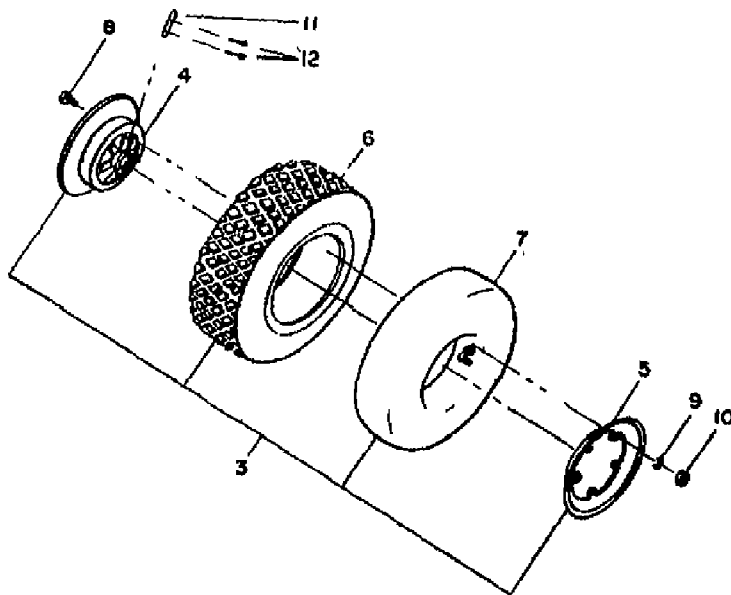
Ref #	Part Number	Qty	S/P/F	Description
4	GW-1220	0	F	WORM-1.25 PD .26 LEAD
44	GW-1221	0	F	GEAR-WORM 36 TEETH MACH
46	GW-1222	0	/P/F	GEAR-SPLINE 10 TEETH MACH
29	GW-1223	0	/P/F	GEAR-SPUR 56 TEETH MACH
26	GW-1232	0	/P/F	GEAR-SPUR 46 TEETH MACH
43	GW-1233	0	/P/F	GEAR-SPUR 20 TEETH MACH
13	GW-1058	0	/P	GEAR-WORM 1.25 PD .62 LEAD
44A	GW-1057	0		GEAR-WORM-30 TEETH-MACH
46A	GW-1055	0		GEAR-SPLINE 6 TEETH MACHINE
29A	GW-1004	0		GEAR-SPUR 60 TEETH-MACH
26A	GW-1005	0		GEAR-SPUR-50 TEETH-MACH
43A	GW-1056	0		GEAR-SPLINE-16 TEETH-MACH

HORSE 1 6HP ROTO TILLER (S/N 1001-639999)
 WHEELS AND TIRES



PLEASE NOTE: Part #'s 9143 & 9144 (tubeless Bar Treads) must be a matched pair. When ordering a replacement wheel & tire, please specify the manufacturer's name on the tire you're keeping (such as Goodyear, or McCreary, etc.). Thank you.

WHEEL & TIRE ASSY —Bar Tread
INDIVIDUAL SERVICE PARTS
 # 1234-1 - TIRE ONLY
 # 2708 - WHEEL RIM ONLY (GREY)



HORSE I 6HP ROTO TILLER (S/N 1001-639999)
WHEELS AND TIRES

Page 26 of 26

Ref #	Part Number	Qty	S/P/F	Description
	GW-1234-1	0	S/F	TIRE-BTT 4.80/4.00X8.00
	GW-2708	0	F	RIM-WHEEL 8" GRAY
1	GW-9144	0	S/F	TIRE-RT BT GARDEN TRAC
1A	GW-9143	0	S/F	TIRE-LT BT GARDEN TRAC
2	GW-9322	0	S	PIN-SPIROL .313 X 1.5
3	GW-9148	0		4X7TIRE/TUBE
4	GW-1018	0		HUB-4X7
5	GW-1017	0		WHEEL RIM
6	GW-9109	0		TIRE 4X7
7	GW-9110	0		TUBE-4X7
8	GW-9712	0	S	SCR-HH 3/8-16X1.25
9	GW-9913	0	S	WASHER-LK .375
10	GW-9802	0	S	NUT-HEX 3/8-16 ZP
11	GW-1097	0	S	KIT-NUT/BOLT PIN WHL/SHAFT
12	GW-9317	0	/P	PIN-COTTER .094X1.0
13	GW-9149	0	F	ASSM-WHEEL 4X8 BTT
13A	GW-9150	0	F	ASSM-RT WHL BTT
14	GW-1163	0		HUB-WHEEL MACH
15	GW-9113	0		RIMS W/HDW (1648)
16	GW-9111	0	S	TIRE-BTT 4.80/4.00X8.00
17	GW-9112	0		TUBE-INNER BT (4 X 8)
18	GW-9709	0	S	SCR-HH 3/8-16X.75 G5 ZP
19	GW-9913	0	S	WASHER-LK .375
20	0	0		STUD & NUT
21	GW-9146	0		CHAINS-HORSE TILLER