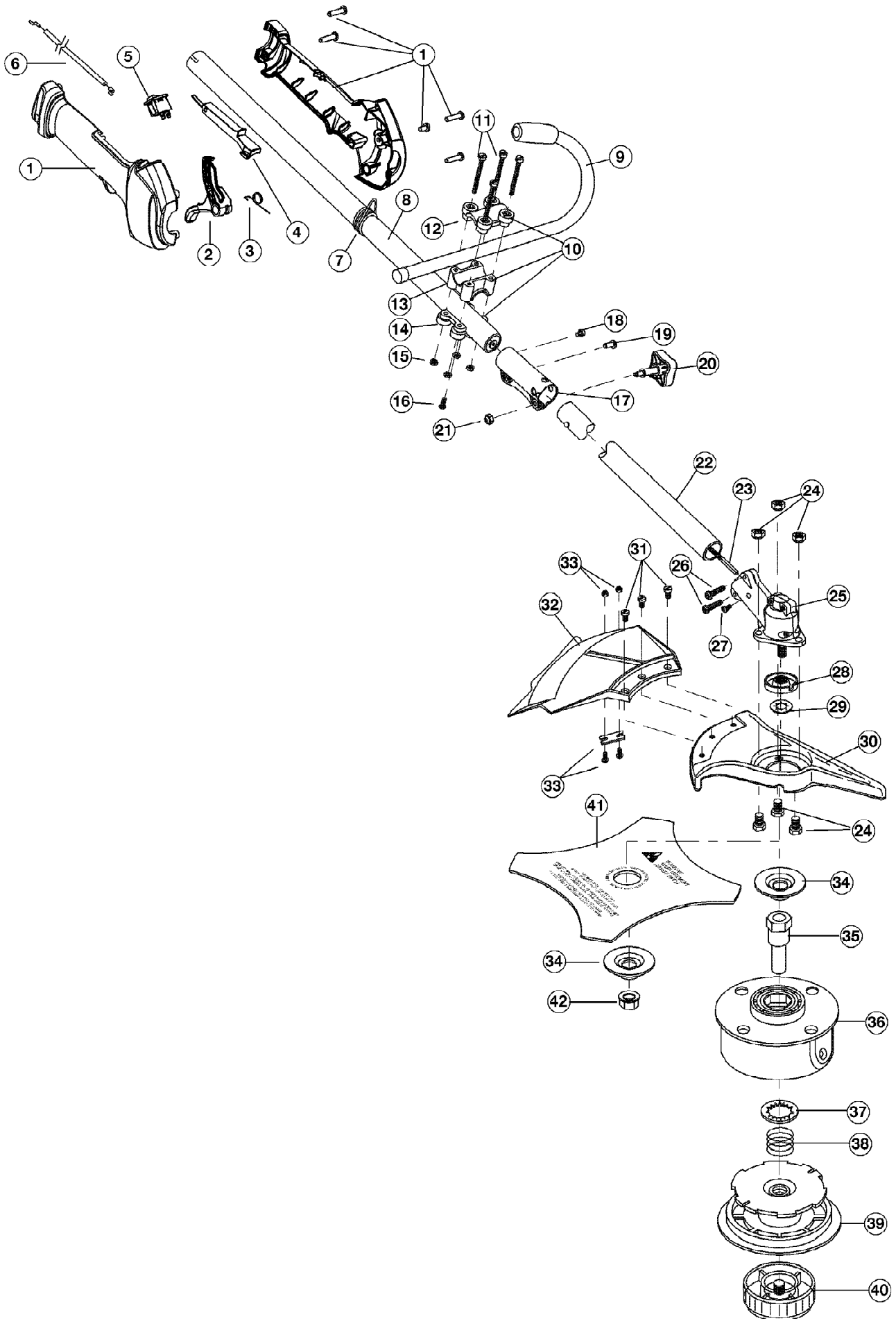


TB90BC 41BDT90C966
Boom & Trimmer



TB90BC 41BDT90C966
Boom & Trimmer

Page 2 of 6

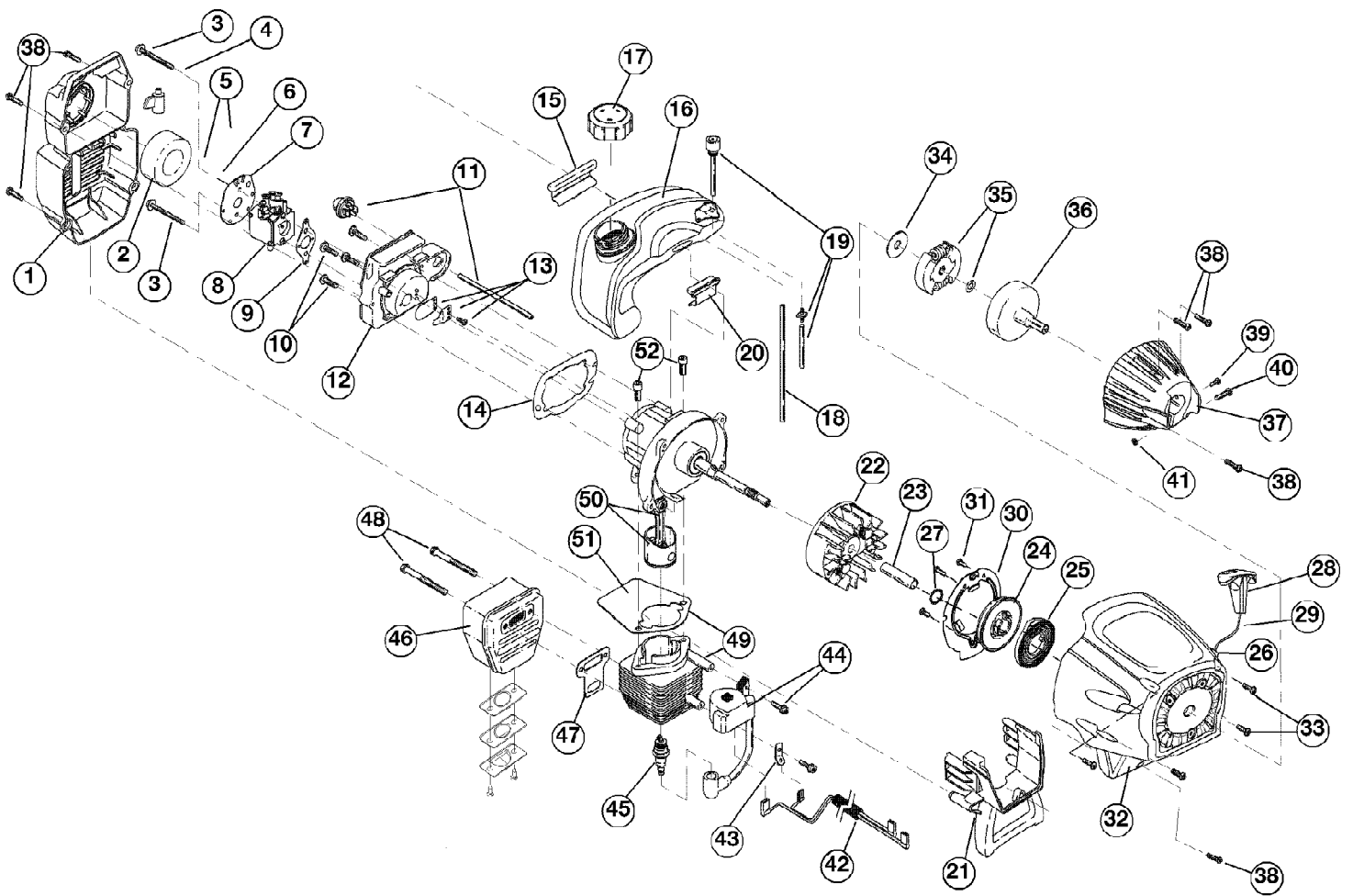
| Ref # | Part Number | Qty | S/P/F | Description |
|-------|-------------|-----|-------|--|
| 1 | 753-05192 | 1 | | Throttle Housing Assembly (includes 2-5) |
| 2 | 753-04991 | 1 | S | Throttle Trigger |
| 3 | 753-05007 | 1 | /P | Throttle Trigger Spring |
| 4 | 753-05171 | 1 | S | Throttle Trigger Lock-Out |
| 5 | 791-182405 | 1 | /P | Switch Assembly |
| 6 | 753-05172 | 1 | | Throttle Cable Assembly |
| 7 | 791-610327 | 1 | | Harness Clip |
| 8 | 753-04236 | 1 | /P | Upper Drive Shaft Housing Assembly |
| 9 | 791-181099 | 1 | | J-Handle Assembly |
| 10 | 791-683295 | 1 | | Handle Bracket Assembly (includes 11-16) |
| 11 | 791-181811 | 1 | | Screw |
| 12 | 791-181812 | 1 | | Upper Handle Clamp |
| 13 | 791-181813 | 1 | | Middle Handle Clamp |
| 14 | 791-181814 | 1 | | Lower Handle Clamp |
| 15 | 791-181815 | 1 | | Nut |
| 16 | 791-182519 | 1 | | Anti-Rotation Screw |
| 17 | 753-1190 | 1 | /P | Split Boom Coupler (includes 18-21) |
| 18 | 791-182057 | 1 | | Screw |
| 19 | 791-181617 | 1 | | Bolt |
| 20 | 791-181981 | 1 | | Adjustment Knob (includes 21) |
| 21 | 753-04386 | 1 | S | Knob Retaining Nut |
| 22 | 791-182541 | 1 | | Lower Drive Shaft Housing Assembly |
| 23 | 791-613300 | 1 | | Lower Flexible Drive Shaft |
| 24 | 791-182200 | 1 | | Shield Mount Screw Assembly |
| 25 | 791-182193 | 1 | /P | 2 piece Gearbox Assembly (includes 26-29) |
| 26 | 791-182195 | 1 | | Gearbox Mounting Hardware |
| 27 | 791-182519 | 1 | | Anti-Rotation Screw |
| 28 | 791-182196 | 1 | | Blade Driver |
| 29 | 753-04348 | 1 | /P | Palnut |
| 30 | 791-147492 | 1 | | Blade Shield/Shield Mount |
| 31 | 791-683304 | 1 | | Shield Mounting Screw |
| 32 | 753-1191 | 1 | | Shield Assembly (includes 33) |
| 33 | 791-682061 | 1 | | Blade Assembly |
| 34 | 791-147490 | 1 | | Retaining Washer |
| 35 | 791-612483 | 1 | | Spool Shaft |
| 36 | 791-683301 | 1 | | Outer Spool Assembly (includes 37) |
| 37 | 791-612026 | 1 | | Retainer |
| 38 | 791-610636B | 1 | /P | Spring |
| 39 | 791-147495 | 1 | | Inner Reel |
| 40 | 791-180814B | 1 | /P | Bump Head Knob Assembly |
| 41 | 791-145873B | 1 | /P | 4-Tooth Blade |
| 42 | 791-181699 | 1 | S | Nut |
| | 791-180014B | 1 | | Blade Retaining Kit (includes 34 & 42) Items Not Shown |
| | 791-613226 | 1 | | Locking Rod Tool Items Not Shown |
| | 791-682075B | 1 | /P | Shoulder Harness Items Not Shown |
| | 753-04216 | 1 | | Replacement Line, 0.105 Diameter Items Not Shown, Optional |
| | 753-1224 | 1 | /P | Reel and Line Assembly Items Not Shown, Optional |

TB90BC 41BDT90C966
Boom & Trimmer

Page 3 of 6

| Ref # | Part Number | Qty | S/P/F | Description |
|-------|-------------|-----|-------|--|
| | 753-1161 | 1 | /P | Bump Head Assembly (includes 35-40) Items Not Shown, Optional |

TB90BC 41BDT90C966
Engine Parts



| Ref # | Part Number | Qty | S/P/F | Description |
|-------|-------------|-----|-------|---|
| 1 | 753-04511 | 1 | /P | Air Cleaner Cover Assembly (includes 2 & 38) |
| 2 | 791-180350B | 1 | /P | Air Cleaner Filter |
| 3 | 791-180351 | 1 | | Carburetor Mounting Screw Assembly |
| 4 | 791-180226 | 1 | S | Wavey Washer |
| 5 | 791-182202 | 1 | /P | Choke Knob w/Screw |
| 6 | 753-04418 | 1 | /P | Choke Lever (includes 5) |
| 7 | 753-04419 | 1 | /P | Choke Plate (includes 6) |
| 8 | 753-05133 | 1 | | Carburetor Assembly (includes 9 & 19) |
| 9 | 791-610675 | 1 | | Carburetor Gasket |
| 10 | 791-181860 | 1 | | Carb Mount Screw |
| 11 | 791-683974B | 1 | /P | Primer & Hose Assembly |
| 12 | 753-1196 | 1 | /P | Carb Mount Assembly (includes 10, 13 & 14) |
| 13 | 791-684451 | 1 | | Reed Assembly |
| 14 | 753-1208 | 1 | /P | Carburetor Mount Gasket |
| 15 | 791-612134 | 1 | | Rear Mounting Pad |
| 16 | 753-04307 | 1 | /P | Fuel Tank Assembly (includes 17-19) |
| 17 | 791-182529 | 1 | | Fuel Cap Assembly |
| 18 | 791-181086 | 1 | /P | Fuel Return Line |
| 19 | 753-04233 | 1 | | Fuel Line Assembly |
| 20 | 791-145308 | 1 | | Front Mounting Pad |
| 21 | 753-04409 | 1 | S | Shroud Extension & Stand (includes 38) |
| 22 | 791-182736 | 1 | S | Flywheel Assembly |
| 23 | 791-181525 | 1 | | Spacer |
| 24 | 753-04459 | 1 | /P | Recoil Pulley Assembly (includes 27 & 29) |
| 25 | 753-04286 | 1 | | Recoil Spring |
| 26 | 753-1200 | 1 | | Rope Guide |
| 27 | 753-04288 | 1 | /P | Pulley Retainer |
| 28 | 791-181079 | 1 | S | Pull Handle |
| 29 | 791-613103 | 1 | | Rope |
| 30 | 753-04417 | 1 | /P | Pressure Plate Assembly (includes 31) |
| 31 | 753-1202 | 1 | | Plate Screw |
| 32 | 753-04402 | 1 | | Starter Housing Assembly (includes 24-31, 33 & 38) |
| 33 | 791-181862 | 1 | /P | Housing Screw |
| 34 | 791-182396 | 1 | S | Clutch Washer |
| 35 | 791-182369 | 1 | S | Clutch Rotor Assembly |
| 36 | 791-153592 | 1 | /P | Clutch Drum Assembly |
| 37 | 753-04403 | 1 | | Clutch Cover Assembly (includes 38-41) |
| 38 | 791-181345 | 1 | /P | Cover Screw |
| 39 | 791-182519 | 1 | | Anti-Rotation Screw |
| 40 | 753-04003 | 1 | | Clamping Screw |
| 41 | 791-180217 | 1 | S | Clamping Nut |
| 42 | 753-05025 | 1 | /P | Wire Leads and Sleeve |
| 43 | 791-611063 | 1 | /P | Ground Tab |
| 44 | 753-04336 | 1 | | Module Assembly |
| 45 | 791-610311B | 1 | /P | Spark Plug |
| 46 | 753-05169 | 1 | /P | Muffler Assembly (includes 47, 48 & spark arrestor) |
| 47 | 753-04619 | 1 | /P | Exhaust Gasket |
| 48 | 753-04620 | 1 | S | Muffler Mounting Bolts |
| 49 | 753-04814 | 1 | /P | Cylinder Assembly (includes 51 & 52) |
| 50 | 753-04367 | 1 | /P | Piston and Rod Assembly |

TB90BC 41BDT90C966
 Engine Parts

Page 6 of 6

| Ref # | Part Number | Qty | S/P/F | Description |
|-------|-------------|-----|-------|--|
| 51 | 753-04182 | 1 | | Cylinder Gasket |
| 52 | 791-182723 | 1 | | Cylinder Bolt |
| | 753-1209 | 1 | | Piston Ring Set Items Not Shown |
| | 753-04812 | 1 | /P | Short Block Assembly (includes 10, Crankcase, 45, 49-52) Items Not Shown |
| | 791-181599 | 1 | | Clutch Springs (Qty. 2) Items Not Shown |