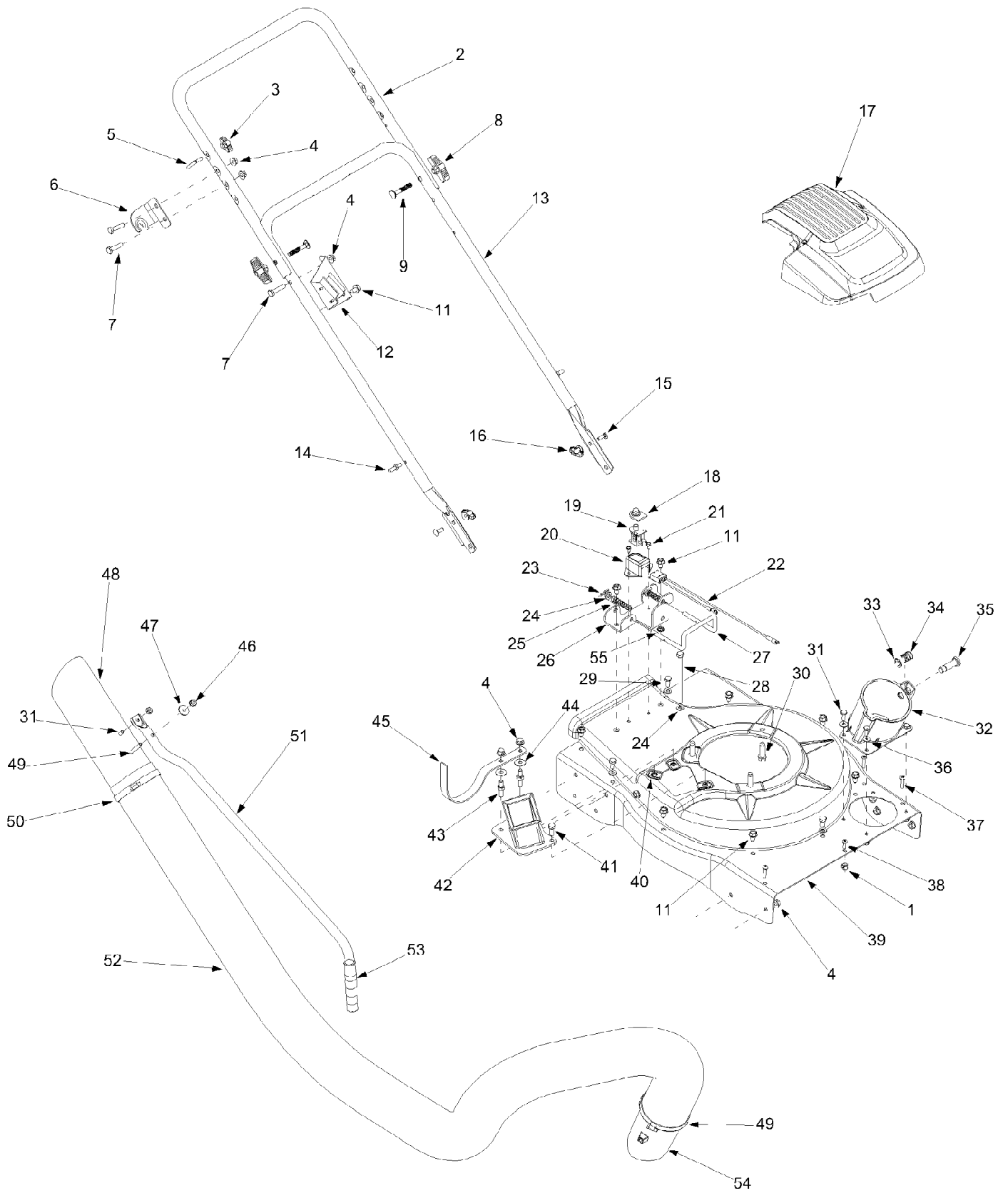


CSV065 Chipper Shredder Vac (2003)
Frame & Handle Assembly



CSV065 Chipper Shredder Vac (2003)
Frame & Handle Assembly

Page 2 of 6

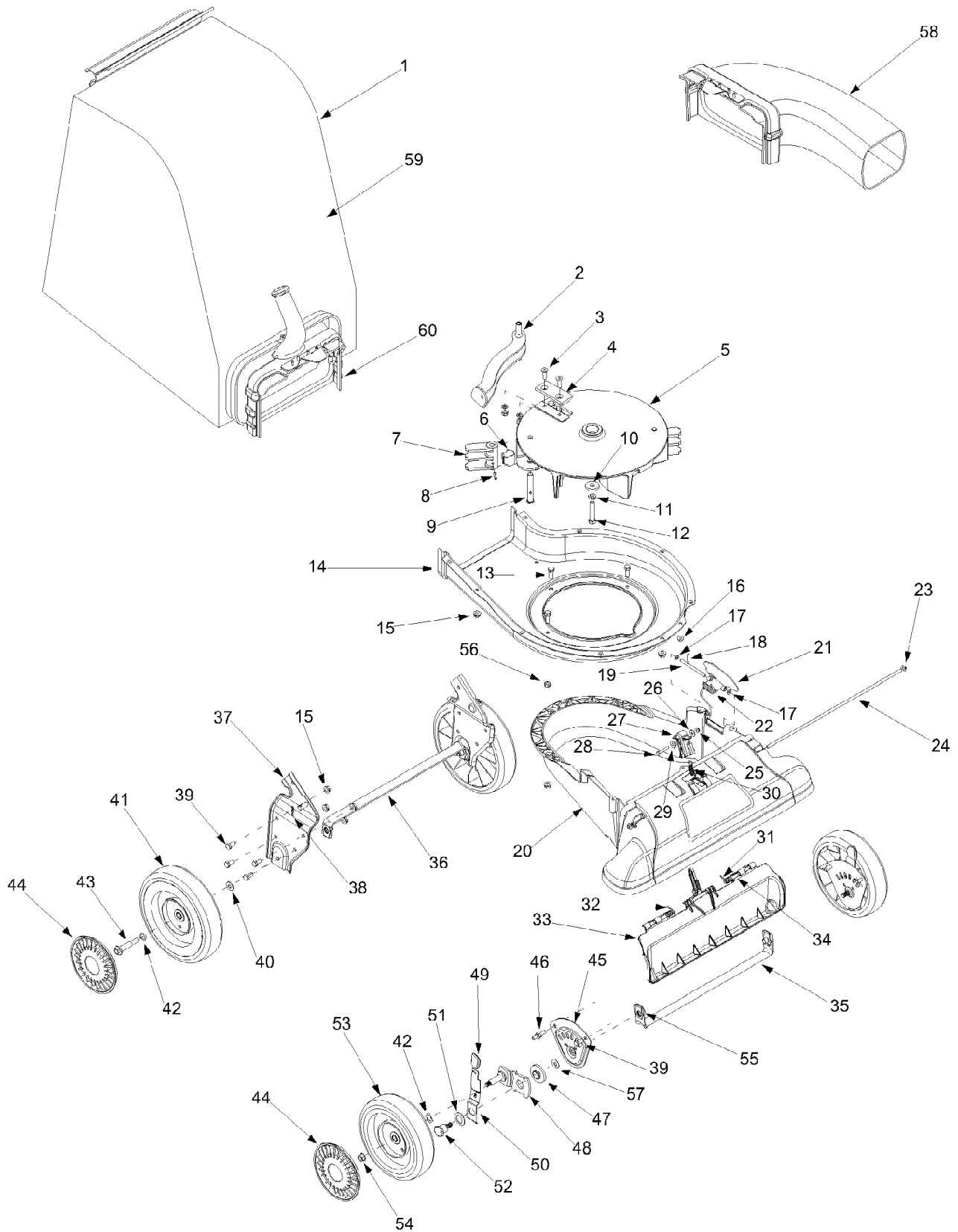
Ref #	Part Number	Qty	S/P/F	Description
1	712-0161	1	/P	Hex Lock Nut #10 - 24
2	749-0438D	1	S	Upper Handle
3	720-0279	1	/P	Knob
4	712-3004A	1	/P	Flange Lock Nut 5/16-18
5	710-1205	1	/P	Eye Bolt
6	781-1056	1	S	Upper Handle Bracket
7	710-0528	1	/P	Hex Cap Screw 5/16-18 x 1.25
8	720-0314	1		Handle Knob 5/16-18
9	710-1174	1	/P	Carriage Bolt
11	710-0604A	1	/P	Hex Washer Screw 5/16-18 x.625
12	681-0174	1	S	Lower Handle Bracket
13	749-0907B	1	/P	Lower Handle
14	711-1293	1	/P	Studs
15	710-0703	1	/P	Carriage Screw 1/4-20 x.75
16	712-0397	1	S	Wing Nut 1/4-20
17	751B282175	1		Shroud
18	725-1700	1	S	Switch Cover
19	725-3166	1	S	Safety Switch
20	731-1613	1	S	Safety Switch Cover
21	710-0224	1	S	Hex Washer Screw #10-16 x.50
22	629-0920	1	S	Wire Harness
23	714-0104	1	S	Cotter Pin
24	736-0264	1	S	Flat Washer .330 ID x.630 OD
25	732-0962	1		Compression Spring
26	781-0778A	1	S	Mounting Bracket
27	747-1153	1		Lock Rod
28	710-3195	1		Hex Cap Screw 5/16-18 x 4.5
29	710-3025	1	/P	Hex Cap Screw 5/16-18 x.625
30	710-0502A	1	/P	Hex Washer Screw 3/8-16 x 1.25
31	710-0751	1	/P	Hex Cap Screw 1/4-20 x .620
32	731-2484	1	S	Hose Base Adapter
33	716-0104	1	S	E Ring .500 Dia
34	732-3035	1	S	Compression Spring
35	711-1571	1		Clevis Pin
36	736-3020	1	S	Flat Washer ..271 ID x .630 OD
37	710-0969	1	/P	Screw #12-16 x 1.0
38	710-0425	1	/P	Machine Screw #10 - 24 x .625
39	781-1042	1		Upper Housing
40	726-0454	1		U-Clip Lock Nut 5/16-18
41	710-3008	1	/P	Hex Cap Screw 5/16-18 x.75
42	681-0122	1		Chipper Chute Assembly
43	738-1167	1	S	Stud 5/16-18 x .56
44	736-0371	1	/P	Flat Washer .343 ID x .880 OD
45	781-1058	1	S	Hose Bracket Hanger
46	712-3027	1	S	Hex Flange Nut 1/4-20
47	748-0457	1		Spacer
48	731-2478	1		Hose Nozzle
49	710-3288	1		Hex Cap Screw 1/4-20 x 2.625
50	723-0295	1	/P	Adjustment Clamp
51	749-1270	1	S	Nozzle Handle
52	764-0648	1	S	Vacuum Hose
53	07071	1	/P	Handle Grip
54	731-2292	1		Hose Adapter

CSV065 Chipper Shredder Vac (2003)
Frame & Handle Assembly

Page 3 of 6

Ref #	Part Number	Qty	S/P/F	Description
55	736-0607	1	/P	External L-Washer 5/16

CSV065 Chipper Shredder Vac (2003)
Impellar Assembly



Ref #	Part Number	Qty	S/P/F	Description
1	664-0095	1	S	Bag Assembly
2	681-0154	1	S	Screen Assembly
3	710-1054	1	/P	Hex Screw 5/16-24 x 1.0
4	781-0490	1	S	Chipper Blade
5	681-0152	1	S	Impeller Assembly
6	781-0735	1		Pin Clip
7	719-0329	1		Flail Blade
8	715-0166	1		Spiral Pin
9	711-1401	1		Clevis Pin
10	736-0247	1	/P	Flat Washer.375 ID x 1.25 OD
11	736-0217	1	S	Lock Washer 3/8
12	710-0818	1	/P	Hex Cap Screw 3/8-24 x 2.0
13	710-3038	1	/P	Hex Cap Screw 5/16-18 x .875
14	781-0721A	1	S	Lower Housing
15	712-3004A	1	/P	Flange Lock Nut 5/16-18
16	712-3027	1	S	Hex Flange Nut 1/4-20
17	736-0142	1	S	Flat Washer .281 ID x .50 OD
18	714-0225	1	/P	Cotter Pin
19	711-1560	1		Pivot Rod
20	731-2293	1	S	Nozzle
21	781-1064	1		Base Adapter Door
22	732-1156	1		Torsion Spring
23	726-0106	1	S	Cap Speed Nut 1/4
24	711-1551	1		Pivot Rod
25	712-0161	1	/P	Hex Lock Nut #10-24
26	736-0400	1	S	Flat Washer .194 ID x .62 OD
27	731-2485	1	S	Nozzle Door Lever
28	710-1156	1	/P	Hex Screw #10-24 x 1.25
29	750-1294	1		Shoulder Spacer
30	732-3118	1		Extension Spring
31	732-1151	1		Torsion Spring LH
32	732-1150	1		Torsion Spring RH
33	731-2294	1	S	Nozzle Door
34	711-1582	1		Rod .25 x 1.25 Lg
35	781-0725A	1	S	Front Wheel Support Brace
36	781-0777	1	S	Rear Wheel Support Brace
37	681-0155	1		Handle Bracket Ass'y LH
	681-0156	1		Handle Brkt Ass'y RH (Not Shown)
38	714-0104	1	S	Cotter Pin
39	710-3025	1	/P	Hex Cap Screw 5/16-18 x.625
40	736-0105	1	/P	Bell Washer.401 ID x.870 OD
41	734-04007	1		Wheel 9 x 2
42	736-0232	1	S	Wave Washer .531 ID x .781 OD
43	738-1015	1		Shoulder Screw 3/8-16
44	731-0981A	1	S	Hubcap
45	781-0785	1	S	Height Adjustment Bracket
46	738-1185	1		Stud 5/16-18 .56 x .75
47	741-0751	1	/P	Height Adjustment Bearing
48	682-0113	1		Pivot Arm Assembly
49	720-0426	1	/P	Height Adjustment Knob
50	732-1026	1		Spring Lever
51	736-0741	1	/P	Bell Washer .760 ID x .25 OD
52	738-1173	1		Shoulder Screw .750 ID x .625 OD

Ref #	Part Number	Qty	S/P/F	Description
53	734-2004A	1	S	Wheel 8 x 2
54	712-0431	1	S	Flange Lock Nut 3/8-16
55	726-0453	1		Lock Nut 3/8-16
56	712-0158	1	S	Hex Lock Nut 5/16-18
57	736-0314	1	S	Thrust Washer .375 ID x .70 OD
58	OEM-290-012	1	/P	Blower Chute (If Equipped)
59	764-0632	1	S	Bag
60	631-0083	1		Chute Assembly