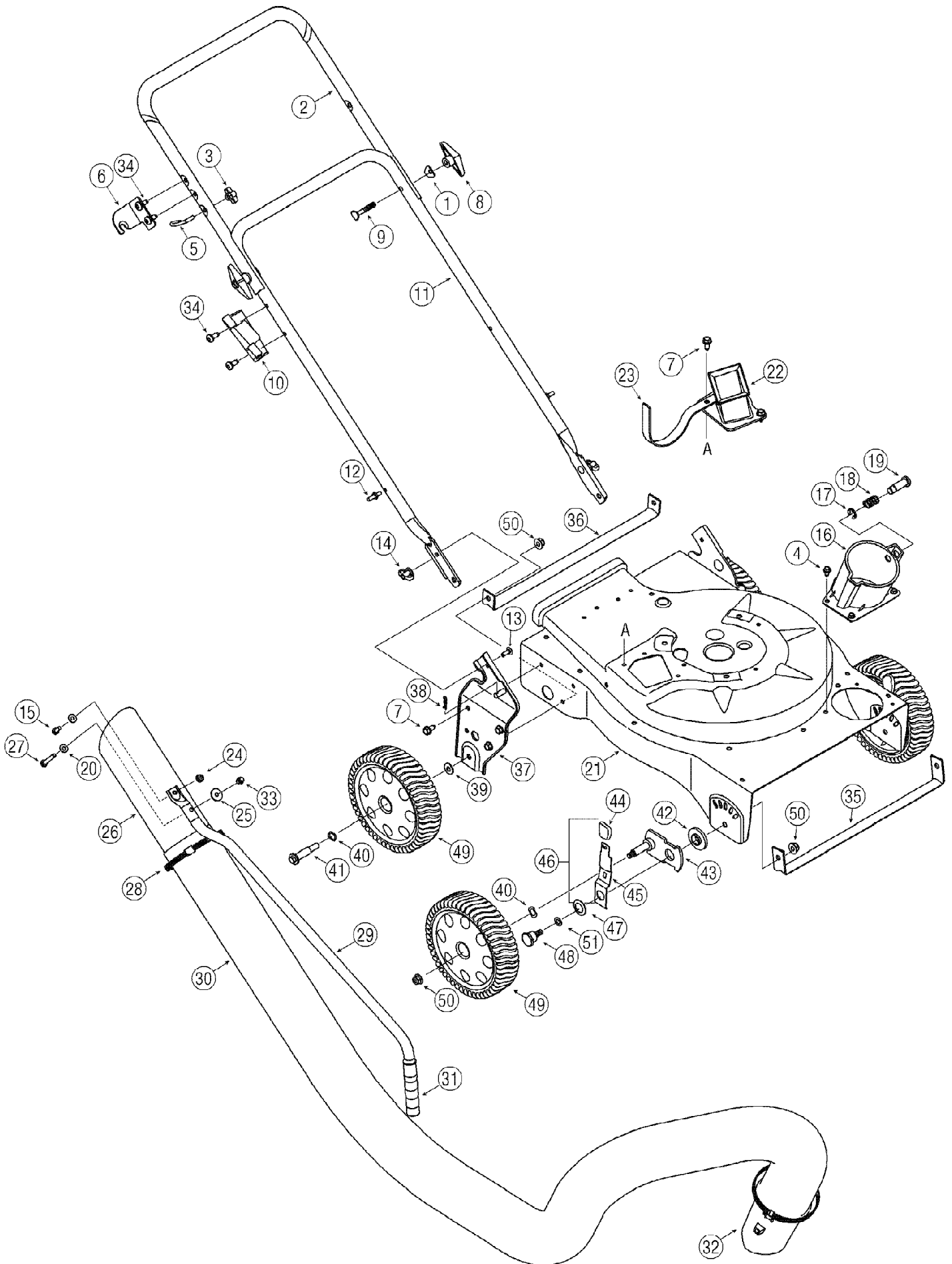


24B-060F766 Chipper Shredder Vac (2006)  
Drive Assembly

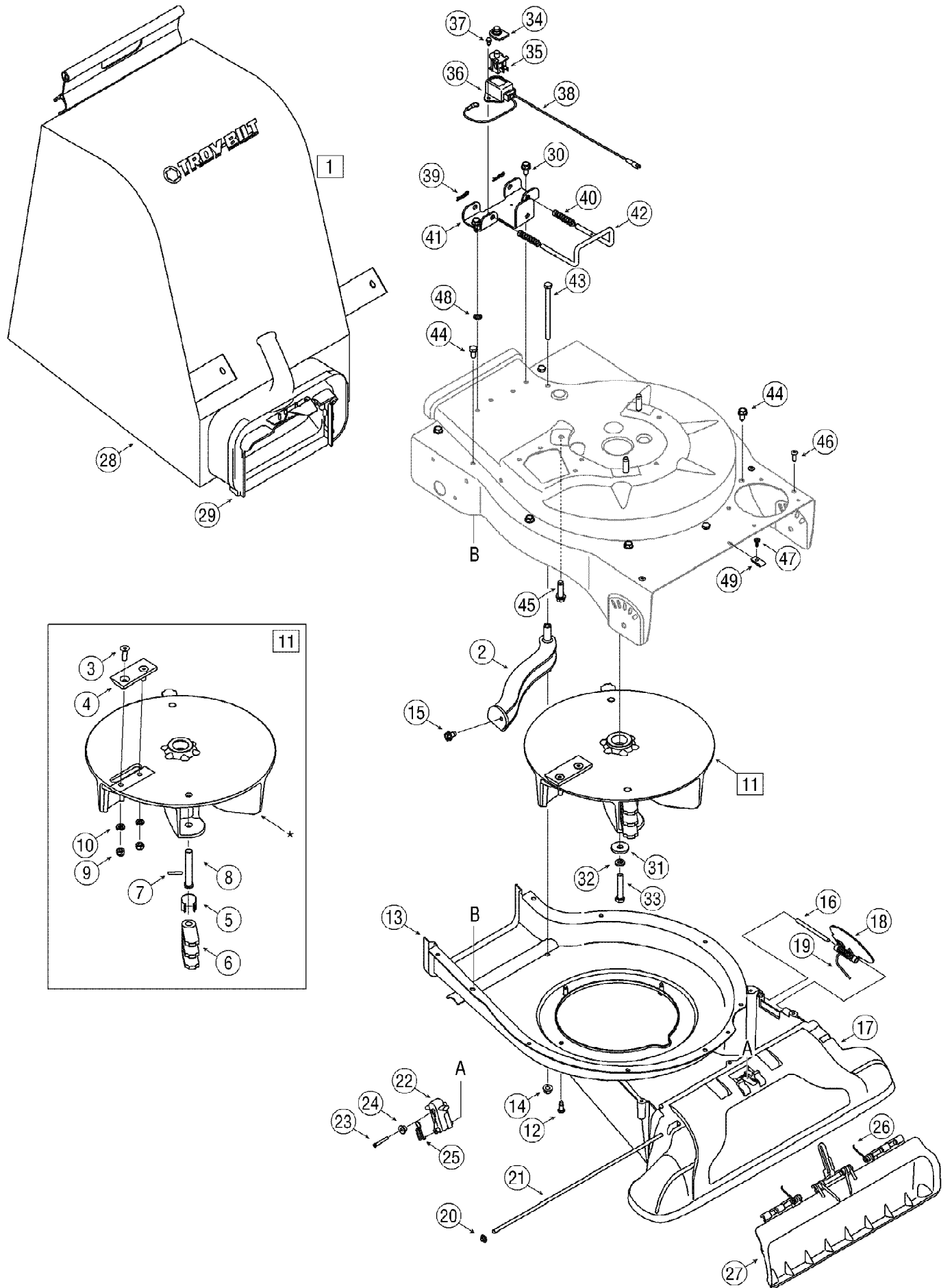


24B-060F766 Chipper Shredder Vac (2006)  
Drive Assembly

Page 2 of 6

Ref #	Part Number	Qty	S/P/F	Description
1	736-0451	1	S	Saddle Washer,.320 x.93
2	749-04172	1	S	Upper Handle
3	720-0279	1	/P	Knob
4	710-0599	1	/P	Screw, 1/4-20 x.500
5	710-1205	1	/P	Eye Bolt
6	781-1056	1	S	Upper Handle Bracket
7	710-0726	1	/P	Hex Cap Screw 5/16-12 x.750
8	720-0241	1	S	Handle Knob 5/16-18
9	710-1174	1	/P	Carriage Bolt
10	731-04911	1		Nozzle Handle Clip
11	749-04165	1	S	Lower Handle
12	711-1293	1	/P	Studs
13	710-0703	1	/P	Carriage Screw 1/4-20 x.75
14	712-0397	1	S	Wing Nut 1/4-20
15	710-0751	1	/P	Hex Cap Screw 1/4-20 x.620
16	681-0195	1	/P	Hose Base Adapter Assembly (Incl. Ref. #17-19)
17	716-0104	1	S	E Ring.500 Dia
18	732-3035	1	S	Compression Spring
19	711-1571	1		Clevis Pin
20	736-3020	1	S	Flat Washer.271 ID x.630 OD
21	781-04071	1		Upper Flail Housing
22	681-0122	1		Chipper Chute Assembly
23	781-1058	1	S	Hose Hanger Bracket
24	712-04064	1	/P	Flange Lock Nut, 1/4-20
25	748-0457	1		Spacer
26	731-2478	1		Hose Nozzle
27	710-3288	1		Hex Cap Screw 1/4-20 x 2.625
28	723-0295	1	/P	Adjustment Clamp
29	749-1270	1	S	Nozzle Handle
30	764-0648	1	S	Vacuum Hose
31	07071	1	/P	Handle Grip
32	731-2292	1		Hose Adapter
33	712-0442	1	S	Cap Lock Nut, 1/4-20
34	710-1611B	1	/P	TT Screw, 5/16-18 x .750
35	781-04082	1	S	Front Wheel Support Brace
36	781-04081	1	S	Rear Wheel Support Brace
37	681-0156A	1	S	Handle Bracket Ass'y RH
37	681-0155A	1	S	Handle Brkt Ass'y LH Not Shown
38	714-0104	1	S	Cotter Pin
39	736-0105	1	/P	Bell Washer.401 ID x.870 OD
40	736-0232	1	S	Wave Washer.531 ID x.781 OD
41	738-1015	1		Shoulder Screw 3/8-16
42	741-0751	1	/P	Height Adjustment Bearing
43	687-02094	1	S	Pivot Arm Assembly
44	720-0426	1	/P	Height Adjustment Knob
45	732-1026	1		Spring Lever
46	687-02051	1	S	Height Lever Assembly (Incl. Ref. #44-45)
47	736-0741	1	/P	Bell Washer.760 ID x.25 OD
48	738-1172	1	/P	Shoulder Screw,.750 x.500
49	734-04033	1	/P	Wheel 8 x 2
50	712-04065	1	/P	Flange Lock Nut, 3/8-16
51	736-0314	1	S	Thrust Washer.375 ID x.70 OD

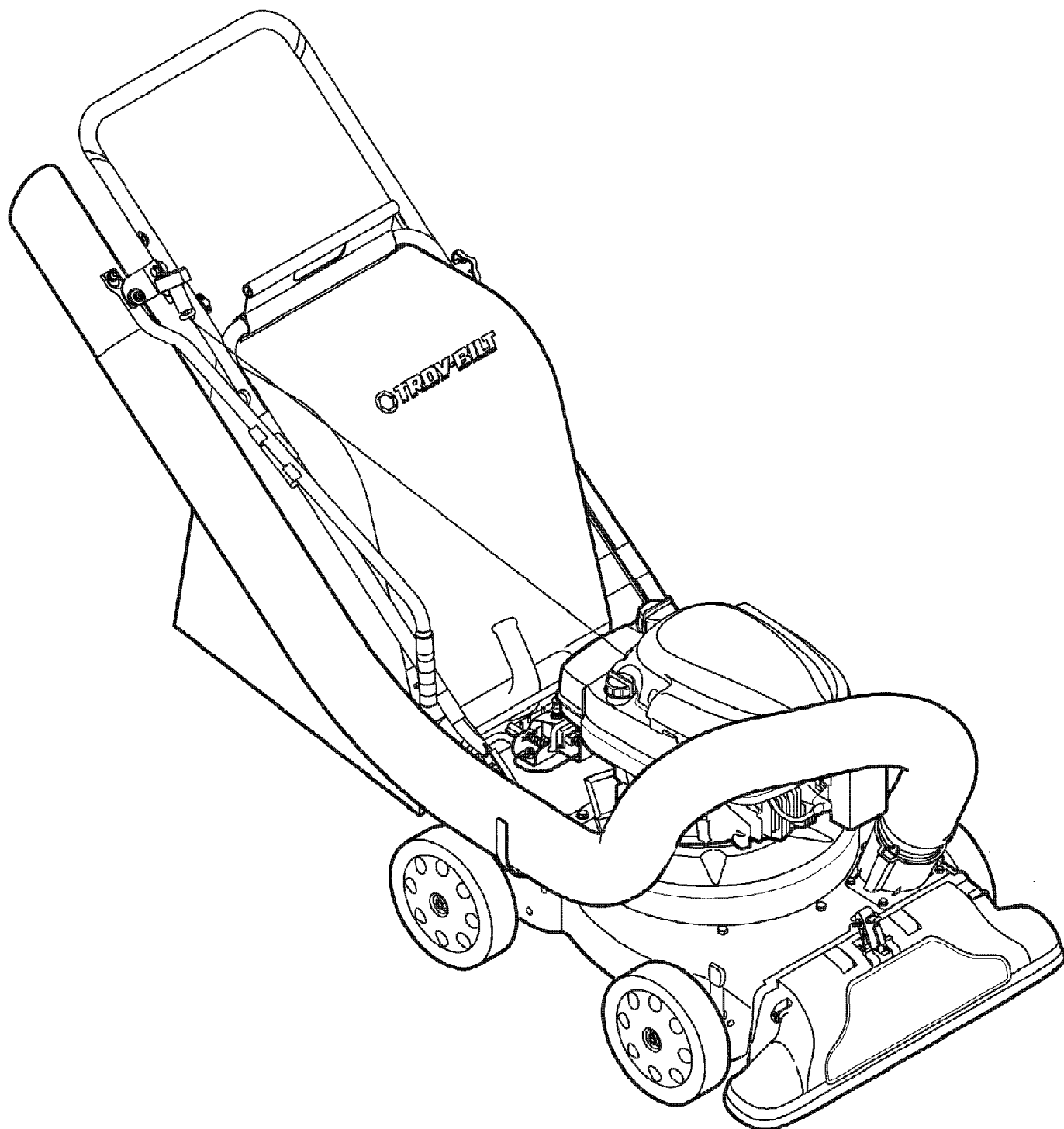
24B-060F766 Chipper Shredder Vac (2006)  
Impeller Assembly



24B-060F766 Chipper Shredder Vac (2006)  
Impeller Assembly

Page 4 of 6

Ref #	Part Number	Qty	S/P/F	Description
1	664-0083	1		Bag Assembly
2	681-0154	1	S	Screen Assembly
3	710-1054	1	/P	Hex Screw 5/16-24 x 1.0
4	781-0490	1	S	Chipper Blade
5	781-0735	1		Pin Clip
6	719-0329	1		Flail
7	715-0166	1		Spiral Pin
8	711-1401	1		Clevis Pin
9	712-0411	1	S	Lock Nut, 5/16-24
10	736-0119	1	S	Lock Washer, 5/16
11	681-0152	1	S	Impeller Assembly (Incl. Ref. #3-10)
12	710-1650	1	/P	Shoulder Screw, #12-24 x.30 x.46
13	781-0721B	1	/P	Lower Flail Housing
14	712-04063	1	/P	Flange Lock Nut 5/16-18
15	710-0607	1	/P	Screw, 5/16-18 x.500
16	747-04297	1		Hinge Pin
17	731-2293A	1	S	Nozzle
18	781-1064	1		Base Adapter Door
19	732-1156	1		Torsion Spring
20	726-0106	1	S	Cap Speed Nut 1/4
21	711-1551	1		Pivot Rod
22	731-04967	1		Nozzle Door Lever
23	710-1256	1	/P	Hex Screw, #8-18 x 1.25
24	750-1294	1		Shoulder Spacer
25	732-3118	1		Extension Spring
26	732-1151A	1		Nozzle Door Torsion Spring
27	731-2294A	1	/P	Nozzle Door
28	764-0632A	1	S	Bag
29	664-04029	1		Chute Assembly
30	710-0726	1	/P	Hex Index Screw, 5/16-12 x.750
31	736-0247	1	/P	Flat Washer.375 ID x 1.25 OD
32	736-0217	1	S	Lock Washer 3/8
33	710-0818	1	/P	Hex Cap Screw 3/8-24 x 2.0
34	725-1700	1	S	Switch Cover
35	725-3166	1	S	Safety Switch
36	731-1613	1	S	Safety Switch Cover
37	710-0224	1	S	Hex Washer Screw #10-16 x.50
38	629-0920A	1	/P	Wire Harness
39	714-0104	1	S	Cotter Pin
40	732-0962	1		Compression Spring
41	781-0778A	1	S	Mounting Bracket
42	747-1153	1		Lock Rod
43	710-3195	1		Hex Cap Screw 5/16-18 x 4.5
44	710-3025	1	/P	Hex Cap Screw 5/16-18 x.625
45	710-0502A	1	/P	Hex Washer Screw 3/8-16 x 1.25
46	710-1220	1	/P	Screw, #12-16 x.750
47	710-0351	1	/P	Screw #10 - 16 x.500
48	736-0607	1	/P	External L-Washer 5/16
49	726-0139	1	/P	Speed Nut
	723-0400	1	/P	Safety Glasses Not Shown



24B-060F766 Chipper Shredder Vac (2006)  
Quick Reference

Page 6 of 6

Ref #	Part Number	Qty	S/P/F	Description
	759-3338	1	/P	Spark Plug
	N/A	1		Pre Filter
	BS-491588S	1	/P	Air Filter
	N/A	1		Fuel Filter
	681-0152	1	S	Impeller Assembly
	781-0490	1	S	Chipper Blade
	719-0329	1		Flail Blade
	681-0154	1	S	Screen Assembly
	764-0648	1	S	Vacuum Hose
	681-0122	1		Chipper Chute
	N/A	1		Drive Belt
	N/A	1		Drive Control Cable
	N/A	1		Speed Control Cable
	N/A	1		Chain
	725-3166	1	S	Safety Switch
	720-0241	1	S	Handle Knob
	734-04033	1	/P	Wheels - Front
	734-04033	1	/P	Wheels - Rear
	N/A	1		Hub Cap
	764-0632A	1	S	Grass Bag
	664-04029	1		Bag Chute Assembly