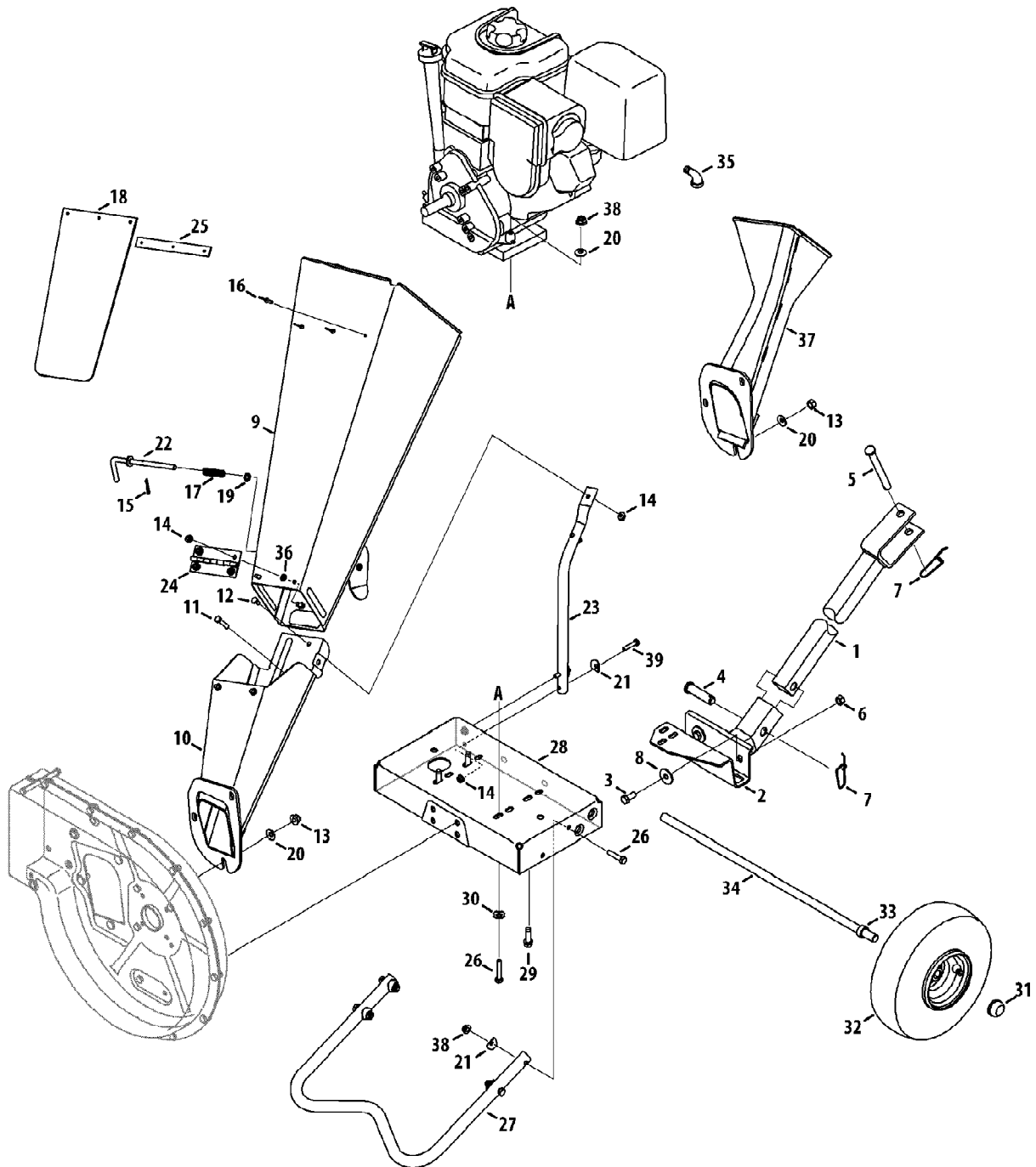


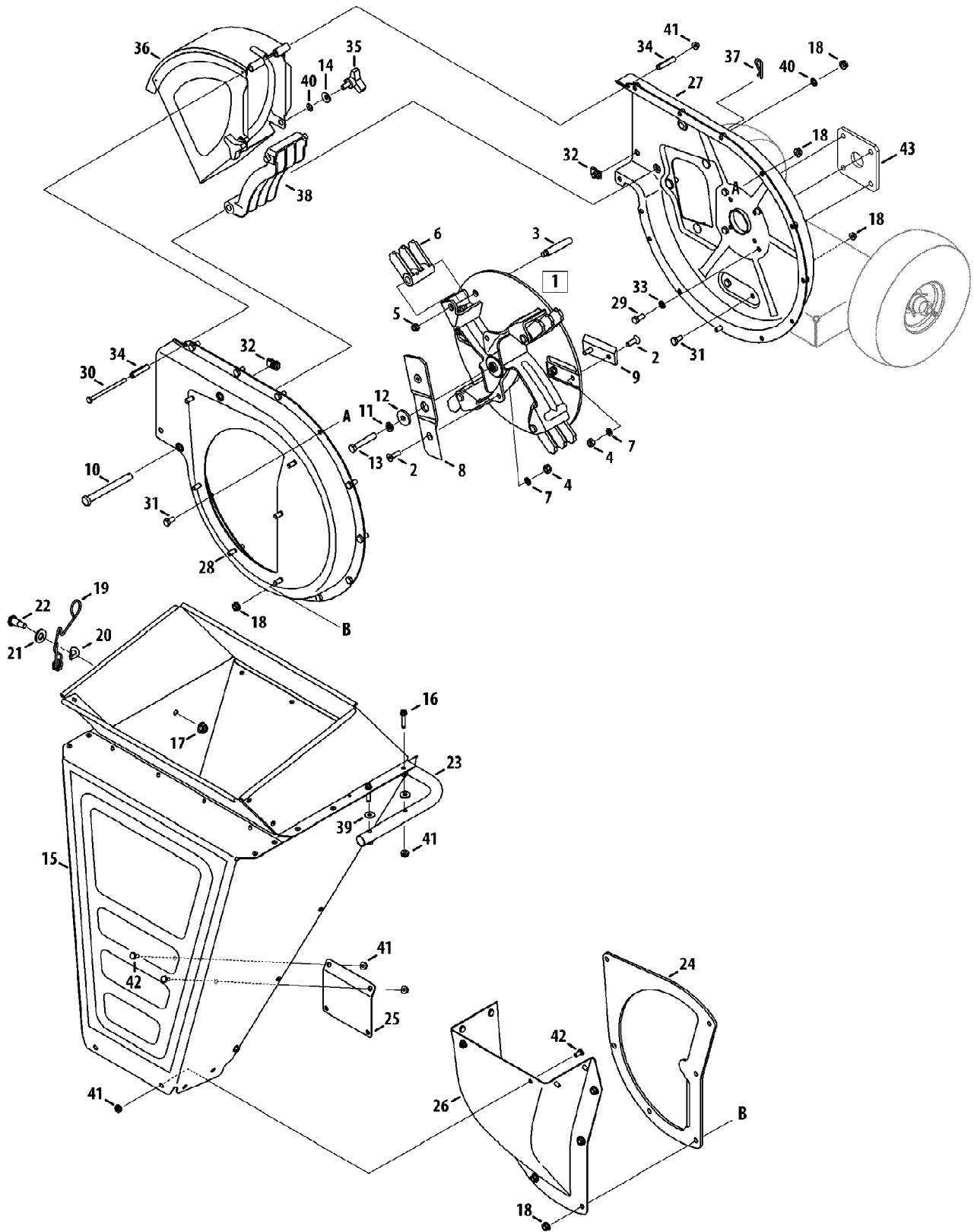
24A-424E066 Chipper Shredder (2010)  
CS 4265 & CS 4325 Chipper Shredder Chute Assembly



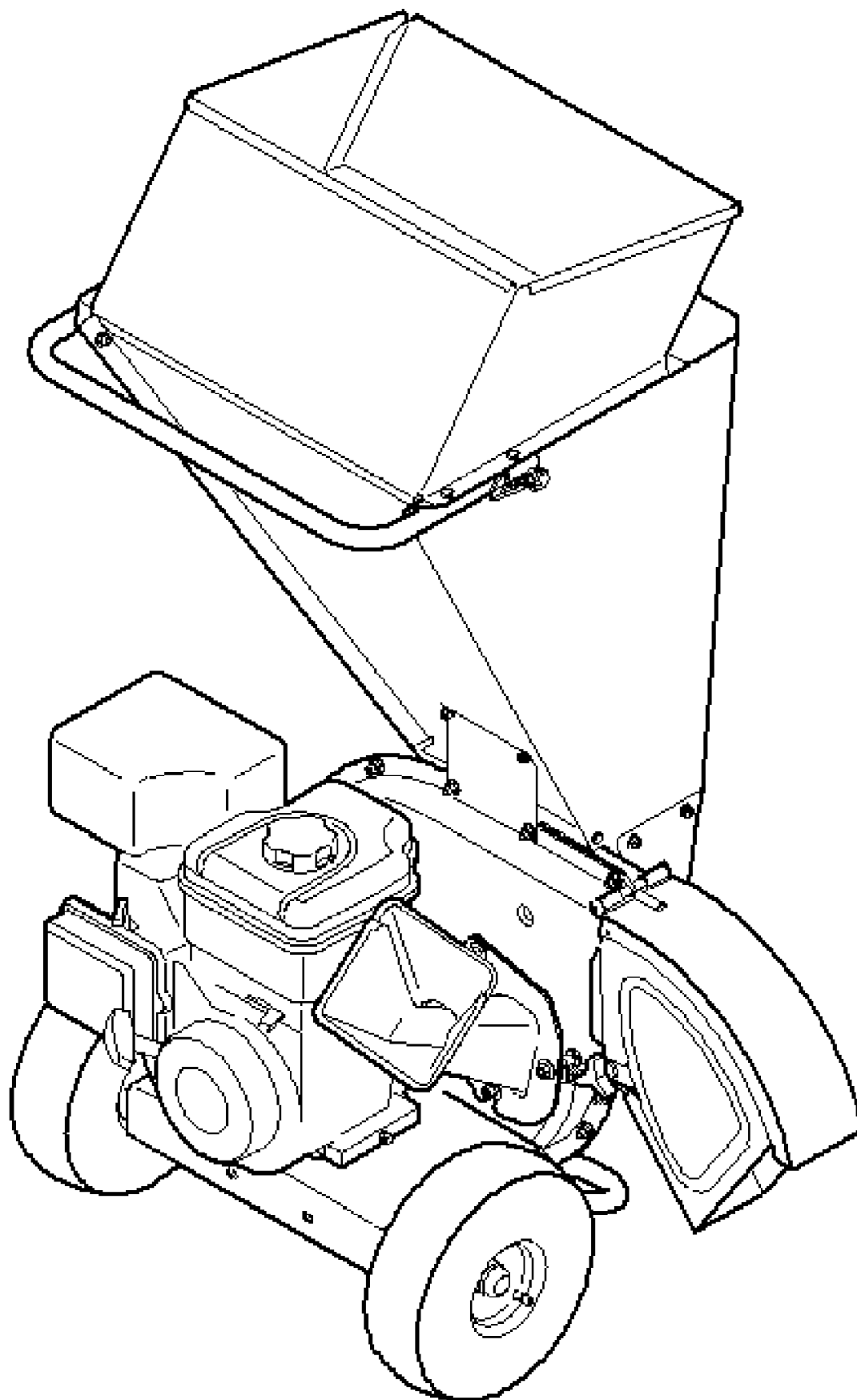
24A-424E066 Chipper Shredder (2010)  
CS 4265 & CS 4325 Chipper Shredder Chute Assembly

Page 2 of 8

Ref #	Part Number	Qty	S/P/F	Description
1	981-0133-0637	1	/P	Tongue Hitch Mount
2	681-0134A-0637	1	/P	Base Hitch Mount
3	710-3001	1	/P	Hex Cap Screw, 3/8-16 x.88
4	711-0299	1	/P	Clevis Pin,.625 x 2.4
5	911-0835	1	/P	Clevis Pin,.50 x 4.62
6	712-04065	1	/P	Flange Lock Nut, 3/8-16
7	732-0194	1		Spring Pin
8	936-0133	1	/P	Flat Washer,.411 x 1.25 x 1.0
9	681-04006-0638	1		Upper Chipper Chute Assembly 24A-424 Models Only
10	681-04117-0638	1		Lower Chipper Chute Assembly 24A-424 Models Only
11	710-0106	1	/P	Hex Cap Screw, 1/4-20 x 1.25 24A-424 Models Only
12	710-3013	1	/P	Screw, 1/4-20 x .50 24A-424 Models Only
13	912-3010	1	/P	Hex Nut, 5/16-18
14	712-04064	1	/P	Flange Lock Nut 1/4-20 24A-424 Models Only
15	914-0104	1	/P	Cotter Pin 24A-424 Models Only
16	728-0175	1		Pop Rivet 24A-424 Models Only
17	932-0306A	1	/P	Compression Spring,.531 x 1.75 24A-424 Models Only
18	735-0249A	1	/P	Chute Flap 24A-424 Models Only
19	936-0140	1	/P	Flat Washer 24A-424 Models Only
20	736-0242	1	/P	Bell Washer.340 ID x.872 OD
21	936-0451	1	/P	Washer,.320 ID x.93 OD
22	947-04163	1	/P	Lock Rod 24A-424 Models Only
23	749-1004-0638	1	S	Chipper Chute Support 24A-424 Models Only
24	981-04032	1	/P	Chipper Chute Hinge 24A-424 Models Only
25	781-0633	1		Chute Flap Strip 24A-424 Models Only
26	710-0805	1	/P	Hex Cap Screw, 5/16-18 x 1.50
27	749-04104-0637	1	/P	Tube Support
28	681-0184C-0638	1		Frame Assembly
29	710-0502A	1	/P	Hex Sems Screw, 3/8-16 x 1.25
30	936-0170	1	/P	Special Lock Washer, 5/16
31	726-0214	1	/P	Push Cap, 5/8
32	634-04009	1	S	Wheel, 10 x 4 x 4
33	950-0786	1	/P	Spacer, .64 x .88 x .38
34	738-0813	1		Axle, 22.47"
35	937-0195	1	/P	Elbow Fitting
36	726-0233	1	/P	Push Nut,.25ID x.50OD 24A-424 Models Only
37	681-04118-0638	1		Chipper Chute 24A-41 Models Only
38	712-04063	1	/P	Flange Lock Nut, 5/16-18
39	710-0809	1		Hex Cap Screw, 1/4-20 x 1.250 24A-424 Models Only
	964-04023	1	/P	Debris Collection Bag Not Shown
	723-0400	1	/P	Safety Glasses Not Shown



Ref #	Part Number	Qty	S/P/F	Description
1	981-04094	1	/P	Impeller Assembly Complete
2	710-1054	1	/P	Machine Screw, 5/16-24 x 1.0
3	738-04286A	1	/P	Shoulder Pin, .5 x 2.625
4	912-0411	1	/P	Hex Lock Nut, 5/16-24
5	712-0266A	1	/P	Nut, Jam Lock, 3/8-16
6	719-04308	1		Flail Blade
7	936-0119	1	/P	Lock Washer, 5/16
8	942-04050	1	/P	Shredder Blade
9	942-0544B	1	/P	Chipper Blade
10	911-0835	1	/P	Clevis Pin,.50 x 4.62
11	936-0217	1	/P	Lock Washer, 3/8
12	736-0247	1	/P	Flat Washer,.406 x 1.25
13	710-1254	1	/P	Hex Cap Screw, 3/8-24 x 2.2
14	736-0242	1	/P	Bell Washer.340 ID x.872 OD
15	681-04011-0638	1		Shredder Hopper Assembly
16	710-0809	1		Hex Cap Screw, 1/4-20 x 1.250
17	712-04065	1	/P	Flange Lock Nut, 3/8-16 24A-424 Models Only
18	712-04063	1	/P	Flange Lock Nut, 5/16-18
19	932-04167	1	/P	Torsion Spring 24A-424 Models Only
20	736-0182	1	/P	Spring Washer,.50 x 1.0 x.022 24A-424 Models Only
21	936-0326	1	/P	Flat Washer,.50 x 1.0 x.0125 24A-424 Models Only
22	738-0430	1		Shoulder Screw, 3/8-16, 24A-424 Models Only
23	749-04103-0637	1	/P	Hopper Handle
24	781-04007-0638	1		Shredder Plate
25	781-04027-0638	1		Hopper Support Bracket
26	781-04033-0638	1		Inlet Guide
27	681-04116-0638	1		Inner Flail Housing Assembly
28	681-04002-0638	1		Outer Flail Housing Assembly
29	710-0157	1	/P	Hex Cap Screw, 5/16-24 x .75
29	710-0117	1	S	Hex Cap Screw, 5/16-24 x 1.00 24A-41M3066 Model Only
30	710-0825	1	/P	Hex Cap Screw, 1/4-20 x 3.75
31	710-3025	1	/P	Hex Cap Screw, 5/16-18 x .625
32	926-0211	1	/P	U-Nut, 5/16-18
33	936-0119	1	/P	Lock Washer, 5/16
34	950-0793	1	/P	Hinge Spacer,.265 x.380 x 1.66
35	720-0170	1	/P	Knob, 5/16-18
36	681-0094A-0638	1		Chute Deflector Assembly
37	914-0149B	1	/P	Internal Cotter Pin
38	719-04070	1		Shredder Screen
39	736-0173	1	/P	Flat Washer, .28 x .74 x .063
40	726-0201	1		Speed Nut,.3125ID
41	712-04064	1	/P	Nut, Flange, Lock, 1/4-20
42	710-0599	1	/P	TT Screw, 1/4-20 x .5
43	781-04292-0637	1	/P	Engine Plate 24A-41M3066 Model Only



24A-424E066 Chipper Shredder (2010)  
 CS 4265 & CS 4325 Chipper Shredder Quick Reference

Page 6 of 8

Ref #	Part Number	Qty	S/P/F	Description
	759-3336	1	/P	Spark Plug
	BS-273356S	1	/P	Pre Filter High Mount
	BS-697029	1	/P	Air Filter High Mount
	BS-493537S	1	/P	Pre Filter Flat
	BS-491588S	1	/P	Air Filter Flat
	BS-298090S	1	/P	Fuel Filter Short
	BS-694485	1		Fuel Filter Long
	BS-792647	1	/P	Fuel Cap
	951-10292	1	/P	Spark Plug 170-C0A
	951-10794	1	/P	Air Filter Assembly 170-C0A
	951-11933	1	/P	Fuel Filter 170-C0A
	951-10917	1	/P	Fuel Cap 170-C0A
	981-04094	1	/P	Impeller Assembly
	942-04050	1	/P	Shredder Blade
	942-0544B	1	/P	Chipper Blade
	719-04308	1		Flail Blade
	719-04070	1		Screen Assembly
	N/A	1		Chipper Shredder Chute
	681-04118-0638	1		Chipper Chute
	681-04011-0638	1		Hopper Assembly
	N/A	1		Hopper Collar
	634-04009	1	S	Wheels
	N/A	1		Hub Cap

24A-424E066 Chipper Shredder (2010)  
CS 4325 Chipper Shredder Label Map

777S33676

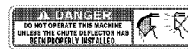


777S32604

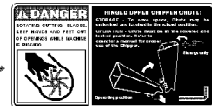
Place On Ledge, Line To Right Two Rivets



777S33671



777S33672  
Line To Top Edge



777D14864  
Center 2" From Top



777S30181  
Inside Of Chipper Chute  
Facing Out



777S33113  
Place On Discharge  
Chute Deflector

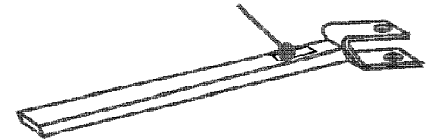


777X43244



Model Plate

777S33673



24A-424E066 Chipper Shredder (2010)  
CS 4325 Chipper Shredder Label Map

Page 8 of 8

Ref #	Part Number	Qty	S/P/F	Description
777S32604	777S32604	1		LABEL-VERT/CS:HOPP
777D14864	777D14864	1		LABEL-HOPPER CS4325 T-BILT CS
777X43244	777X43244	1		LABEL-LOWE'S SERVICE ADVANTAGE
777S33673	777S33673	1		LABEL-TOW BAR WARNING
777S33113	777S33113	1		LABEL-CHIPPER SHREDDER CHUTE
777S33672	777S33672	1		LABEL-CHIPR CHUTE DNGR
777S33671	777S33671	1		LABEL-FLAIL HSG DANGER CHUTE
777S33676	777S33676	1		LABEL-HOPPER INST/WRNG
777S30181	777S30181	1	/P	LABEL-TOP CHUTE DANGER