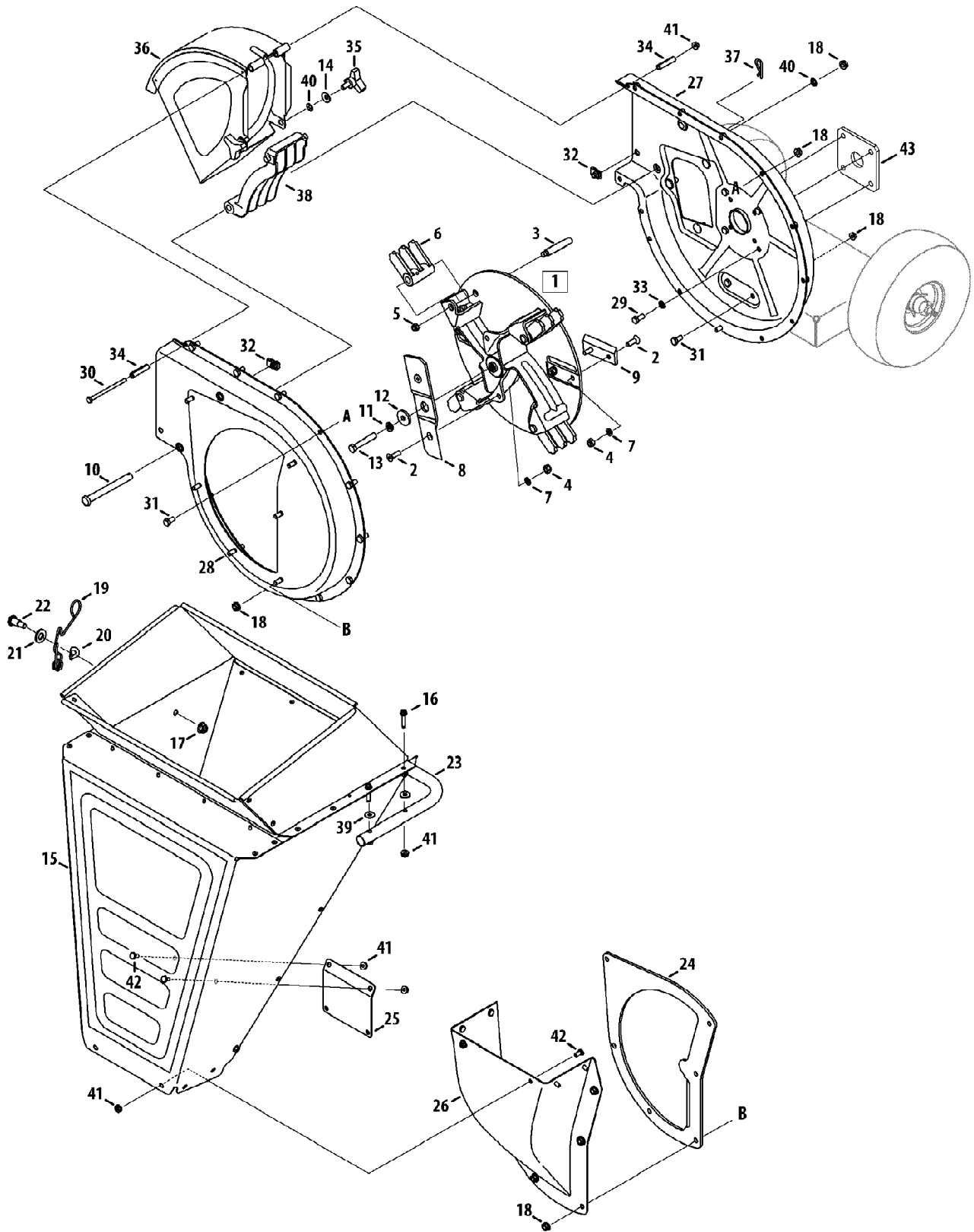


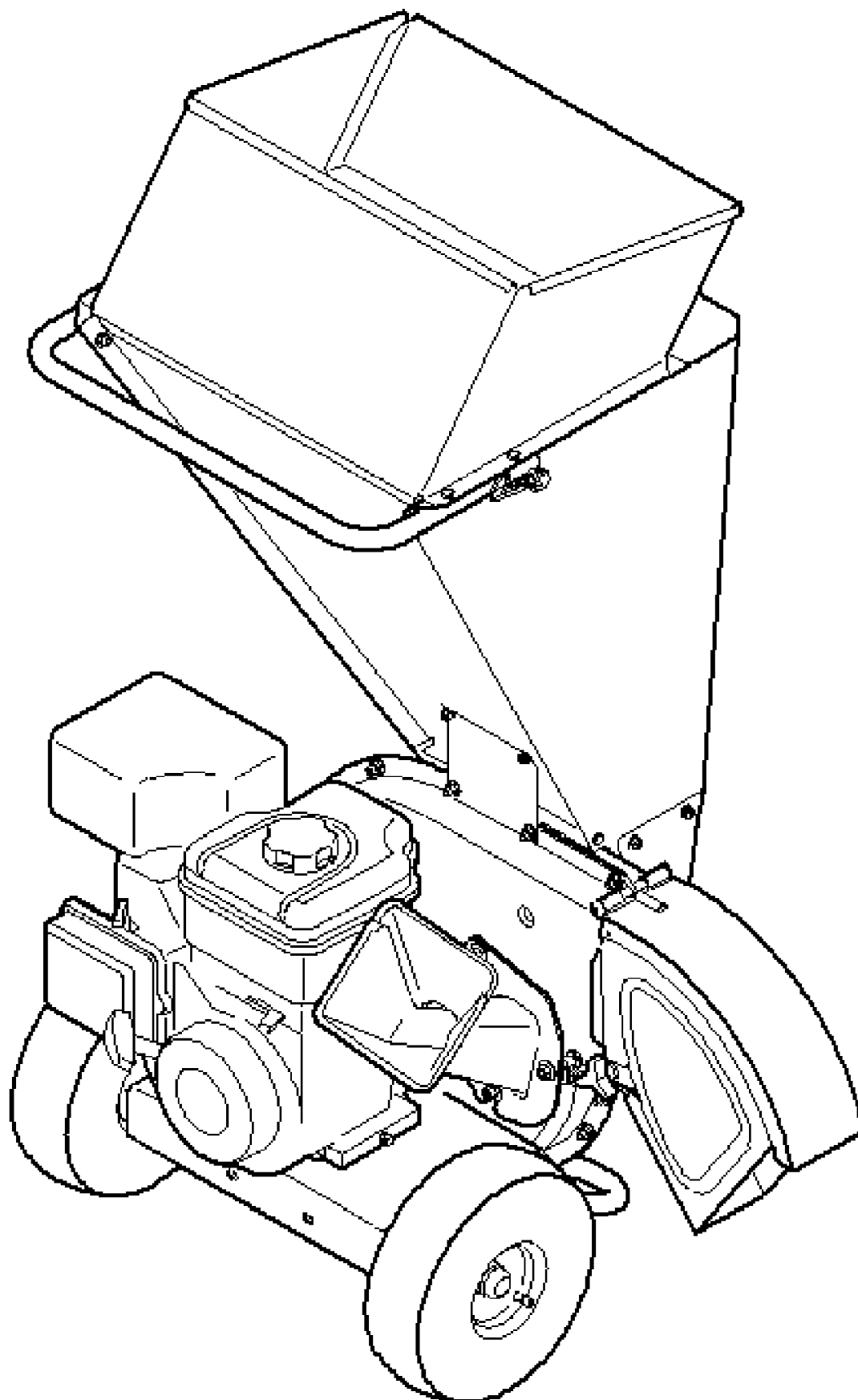
24A-41M3066 Chipper Shredder (2010)
CS 4265 & CS 4325 Chipper Shredder Chute Assembly

Page 2 of 8

Ref #	Part Number	Qty	S/P/F	Description
1	981-0133-0637	1	/P	Tongue Hitch Mount
2	681-0134A-0637	1	/P	Base Hitch Mount
3	710-3001	1	/P	Hex Cap Screw, 3/8-16 x.88
4	711-0299	1	/P	Clevis Pin,.625 x 2.4
5	911-0835	1	/P	Clevis Pin,.50 x 4.62
6	712-04065	1	/P	Flange Lock Nut, 3/8-16
7	732-0194	1		Spring Pin
8	936-0133	1	/P	Flat Washer,.411 x 1.25 x 1.0
9	681-04006-0638	1		Upper Chipper Chute Assembly 24A-424 Models Only
10	681-04117-0638	1		Lower Chipper Chute Assembly 24A-424 Models Only
11	710-0106	1	/P	Hex Cap Screw, 1/4-20 x 1.25 24A-424 Models Only
12	710-3013	1	/P	Screw, 1/4-20 x .50 24A-424 Models Only
13	912-3010	1	/P	Hex Nut, 5/16-18
14	712-04064	1	/P	Flange Lock Nut 1/4-20 24A-424 Models Only
15	914-0104	1	/P	Cotter Pin 24A-424 Models Only
16	728-0175	1		Pop Rivet 24A-424 Models Only
17	932-0306A	1	/P	Compression Spring,.531 x 1.75 24A-424 Models Only
18	735-0249A	1	/P	Chute Flap 24A-424 Models Only
19	936-0140	1	/P	Flat Washer 24A-424 Models Only
20	736-0242	1	/P	Bell Washer.340 ID x.872 OD
21	936-0451	1	/P	Washer,.320 ID x.93 OD
22	947-04163	1	/P	Lock Rod 24A-424 Models Only
23	749-1004-0638	1	S	Chipper Chute Support 24A-424 Models Only
24	981-04032	1	/P	Chipper Chute Hinge 24A-424 Models Only
25	781-0633	1		Chute Flap Strip 24A-424 Models Only
26	710-0805	1	/P	Hex Cap Screw, 5/16-18 x 1.50
27	749-04104-0637	1	/P	Tube Support
28	681-0184C-0638	1		Frame Assembly
29	710-0502A	1	/P	Hex Sems Screw, 3/8-16 x 1.25
30	936-0170	1	/P	Special Lock Washer, 5/16
31	726-0214	1	/P	Push Cap, 5/8
32	634-04009	1	S	Wheel, 10 x 4 x 4
33	950-0786	1	/P	Spacer, .64 x .88 x .38
34	738-0813	1		Axle, 22.47"
35	937-0195	1	/P	Elbow Fitting
36	726-0233	1	/P	Push Nut,.25ID x.50OD 24A-424 Models Only
37	681-04118-0638	1		Chipper Chute 24A-41 Models Only
38	712-04063	1	/P	Flange Lock Nut, 5/16-18
39	710-0809	1		Hex Cap Screw, 1/4-20 x 1.250 24A-424 Models Only
	964-04023	1	/P	Debris Collection Bag Not Shown
	723-0400	1	/P	Safety Glasses Not Shown



Ref #	Part Number	Qty	S/P/F	Description
1	981-04094	1	/P	Impeller Assembly Complete
2	710-1054	1	/P	Machine Screw, 5/16-24 x 1.0
3	738-04286A	1	/P	Shoulder Pin, .5 x 2.625
4	912-0411	1	/P	Hex Lock Nut, 5/16-24
5	712-0266A	1	/P	Nut, Jam Lock, 3/8-16
6	719-04308	1		Flail Blade
7	936-0119	1	/P	Lock Washer, 5/16
8	942-04050	1	/P	Shredder Blade
9	942-0544B	1	/P	Chipper Blade
10	911-0835	1	/P	Clevis Pin,.50 x 4.62
11	936-0217	1	/P	Lock Washer, 3/8
12	736-0247	1	/P	Flat Washer,.406 x 1.25
13	710-1254	1	/P	Hex Cap Screw, 3/8-24 x 2.2
14	736-0242	1	/P	Bell Washer.340 ID x.872 OD
15	681-04011-0638	1		Shredder Hopper Assembly
16	710-0809	1		Hex Cap Screw, 1/4-20 x 1.250
17	712-04065	1	/P	Flange Lock Nut, 3/8-16 24A-424 Models Only
18	712-04063	1	/P	Flange Lock Nut, 5/16-18
19	932-04167	1	/P	Torsion Spring 24A-424 Models Only
20	736-0182	1	/P	Spring Washer,.50 x 1.0 x.022 24A-424 Models Only
21	936-0326	1	/P	Flat Washer,.50 x 1.0 x.0125 24A-424 Models Only
22	738-0430	1		Shoulder Screw, 3/8-16, 24A-424 Models Only
23	749-04103-0637	1	/P	Hopper Handle
24	781-04007-0638	1		Shredder Plate
25	781-04027-0638	1		Hopper Support Bracket
26	781-04033-0638	1		Inlet Guide
27	681-04116-0638	1		Inner Flail Housing Assembly
28	681-04002-0638	1		Outer Flail Housing Assembly
29	710-0157	1	/P	Hex Cap Screw, 5/16-24 x .75
29	710-0117	1	S	Hex Cap Screw, 5/16-24 x 1.00 24A-41M3066 Model Only
30	710-0825	1	/P	Hex Cap Screw, 1/4-20 x 3.75
31	710-3025	1	/P	Hex Cap Screw, 5/16-18 x .625
32	926-0211	1	/P	U-Nut, 5/16-18
33	936-0119	1	/P	Lock Washer, 5/16
34	950-0793	1	/P	Hinge Spacer,.265 x.380 x 1.66
35	720-0170	1	/P	Knob, 5/16-18
36	681-0094A-0638	1		Chute Deflector Assembly
37	914-0149B	1	/P	Internal Cotter Pin
38	719-04070	1		Shredder Screen
39	736-0173	1	/P	Flat Washer, .28 x .74 x .063
40	726-0201	1		Speed Nut,.3125ID
41	712-04064	1	/P	Nut, Flange, Lock, 1/4-20
42	710-0599	1	/P	TT Screw, 1/4-20 x .5
43	781-04292-0637	1	/P	Engine Plate 24A-41M3066 Model Only

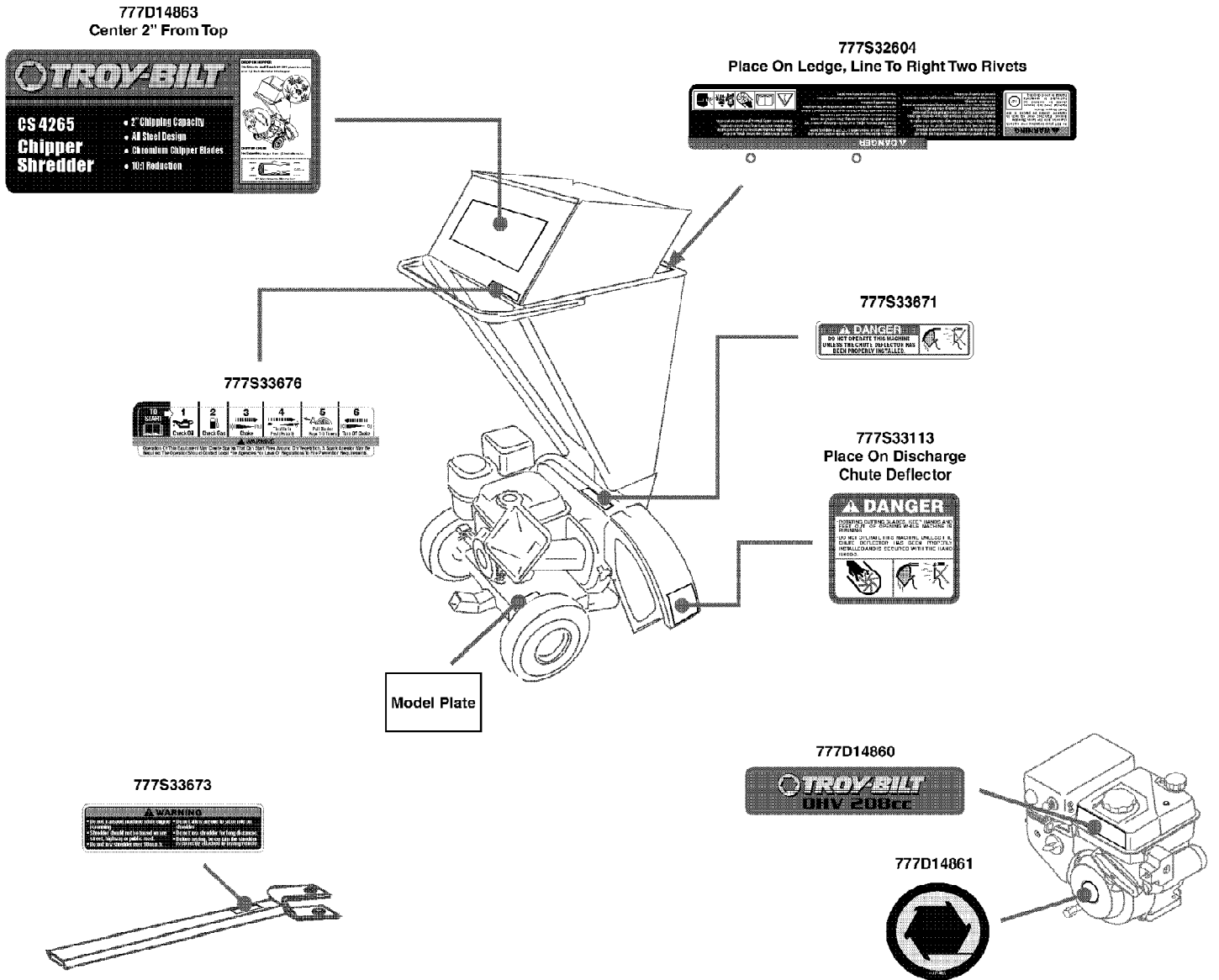


24A-41M3066 Chipper Shredder (2010)
 CS 4265 & CS 4325 Chipper Shredder Quick Reference

Page 6 of 8

Ref #	Part Number	Qty	S/P/F	Description
	759-3336	1	/P	Spark Plug
	BS-273356S	1	/P	Pre Filter High Mount
	BS-697029	1	/P	Air Filter High Mount
	BS-493537S	1	/P	Pre Filter Flat
	BS-491588S	1	/P	Air Filter Flat
	BS-298090S	1	/P	Fuel Filter Short
	BS-694485	1		Fuel Filter Long
	BS-792647	1	/P	Fuel Cap
	951-10292	1	/P	Spark Plug 170-C0A
	951-10794	1	/P	Air Filter Assembly 170-C0A
	951-11933	1	/P	Fuel Filter 170-C0A
	951-10917	1	/P	Fuel Cap 170-C0A
	981-04094	1	/P	Impeller Assembly
	942-04050	1	/P	Shredder Blade
	942-0544B	1	/P	Chipper Blade
	719-04308	1		Flail Blade
	719-04070	1		Screen Assembly
	N/A	1		Chipper Shredder Chute
	681-04118-0638	1		Chipper Chute
	681-04011-0638	1		Hopper Assembly
	N/A	1		Hopper Collar
	634-04009	1	S	Wheels
	N/A	1		Hub Cap

24A-41M3066 Chipper Shredder (2010)
 CS 4265 Chipper Shredder Label Map



Ref #	Part Number	Qty	S/P/F	Description
777D14863	777D14863	1		LABEL-HOPPER CS4265 T-BILT
777S33676	777S33676	1		LABEL-HOPPER INST/WRNG
777S33673	777S33673	1		LABEL-TOW BAR WARNING
777D14861	777D14861	1		LABEL-TROY BILT ICON ENG SPINNER
777D14860	777D14860	1		LABEL-OHV 208CC ENGINE TROY BILT
777S33113	777S33113	1		LABEL-CHIPPER SHREDDER CHUTE
777S32604	777S32604	1		LABEL-VERT/CS:HOPP