

24A-06MM066 Chipper Shredder Vac (2010)
CSV 060 Drive & Frame

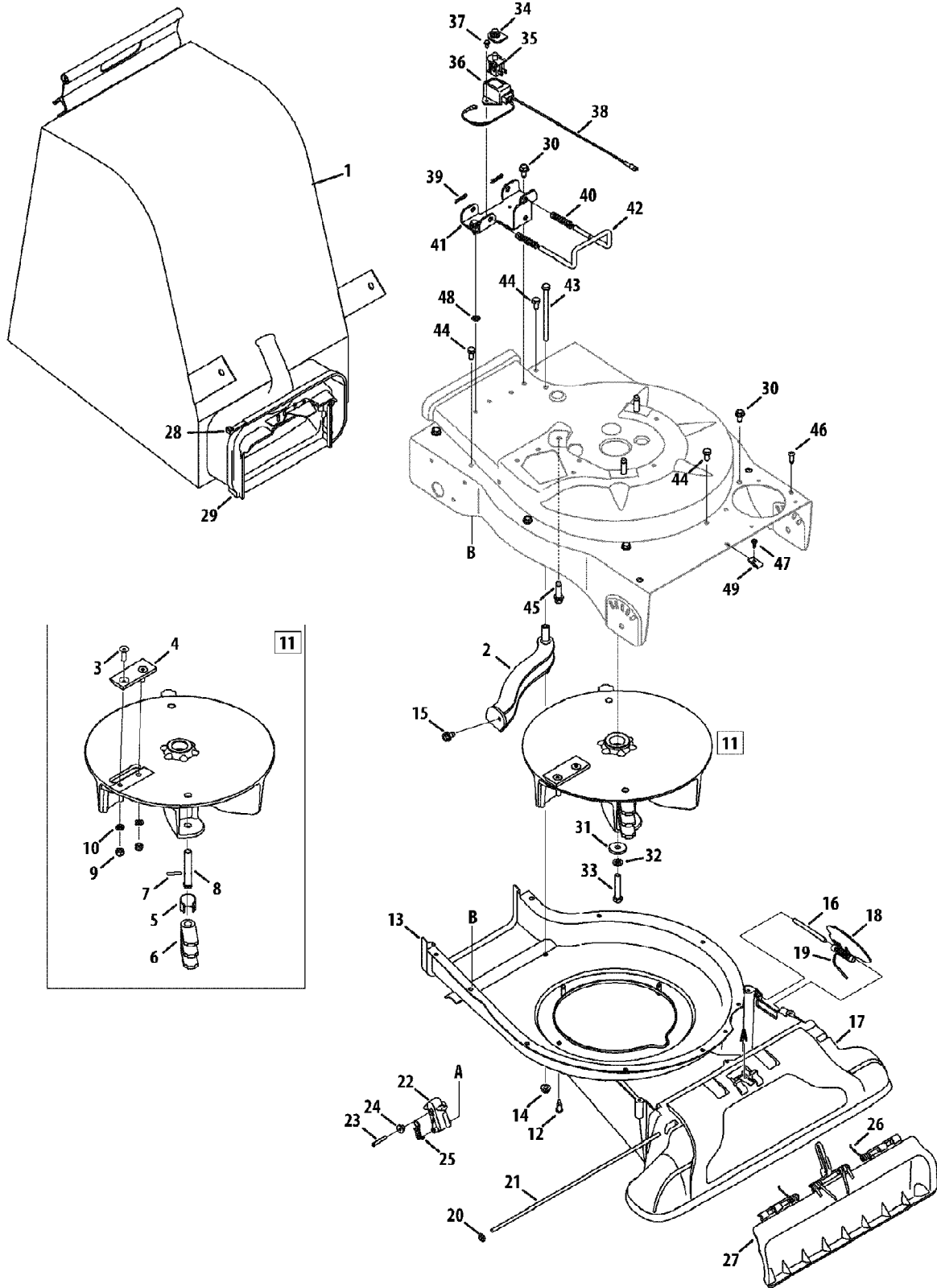
Page 2 of 9

Ref #	Part Number	Qty	S/P/F	Description
1	936-0314	1	/P	Thrust Washer.375 ID x.70 OD
2	749-04172-0637	1	/P	Upper Handle
3	720-0279	1	/P	Knob
4	710-0599	1	/P	Screw, 1/4-20 x.500
5	710-1205	1	/P	Eye Bolt
6	781-1056-0637	1	/P	Upper Handle Bracket
7	710-0726	1	/P	Hex Cap Screw 5/16-12 x.750
8	720-04072A	1	/P	Star Knob
9	710-1174	1	/P	Carriage Bolt
10	731-04911	1		Nozzle Handle Clip
11	749-04165-0637	1	/P	Lower Handle
12	711-1293	1	/P	Studs
13	710-0703	1	/P	Carriage Screw 1/4-20 x.75
14	912-0397	1	/P	Wing Nut 1/4-20
15	912-0291	1	/P	Hex Lock Nut, 1/4-20
16	681-0195	1	/P	Hose Base Adapter Assembly (Incl. Ref.# 17-19)
17	916-0104	1	/P	E Ring.500 Dia
18	932-3035	1	/P	Compression Spring
19	711-1571	1		Clevis Pin
20	936-3020	1	/P	Flat Washer.271 ID x.630 OD
21	781-04223-0638	1		Upper Flail Housing
22	681-04088-0638	1		Chipper Chute Assembly
23	723-04008A	1	/P	Chute Strap
24	911-04069	1	/P	Pin
25	748-0457	1		Spacer
26	731-2478	1		Hose Nozzle
27	710-3288	1		Hex Cap Screw 1/4-20 x 2.625
28	723-0295	1	/P	Adjustment Clamp
29	749-1270A	1	/P	Nozzle Handle
30	764-0648A	1	/P	Vacuum Hose
31	720-0369	1		Handle Plug
32	731-2292	1		Hose Adapter
32	731-06469	1		Hose Adapter (173 CC) use with Troy-Bilt OHV engine
33	912-0442	1	/P	Cap Lock Nut, 1/4-20
34	710-1611B	1	/P	TT Screw, 5/16-18 x .750
35	781-04082-0637	1	/P	Front Wheel Support Brace
36	781-04081-0637	1	/P	Rear Wheel Support Brace
37	981-0156A-0638	1	/P	Handle Bracket Ass'y RH
37	981-0155A-0638	1	/P	Handle Brkt Ass'y LH
38	914-0104	1	/P	Cotter Pin
39	736-0105	1	/P	Bell Washer.401 ID x.870 OD
40	936-0232	1	/P	Wave Washer.531 ID x.781 OD
41	738-1015	1		Shoulder Screw 3/8-16
42	741-04242	1		Height Adjustment Bearing
43	687-02342	1		Pivot Arm Assembly
44	720-0426	1	/P	Height Adjustment Knob
45	732-1026	1		Spring Lever
46	987-02051	1	/P	Height Lever Assembly (Incl. Ref.# 44-45)
47	736-0741	1	/P	Bell Washer.760 ID x.25 OD
48	738-1172	1	/P	Shoulder Screw,.750 x.500

24A-06MM066 Chipper Shredder Vac (2010)
 CSV 060 Drive & Frame

Page 3 of 9

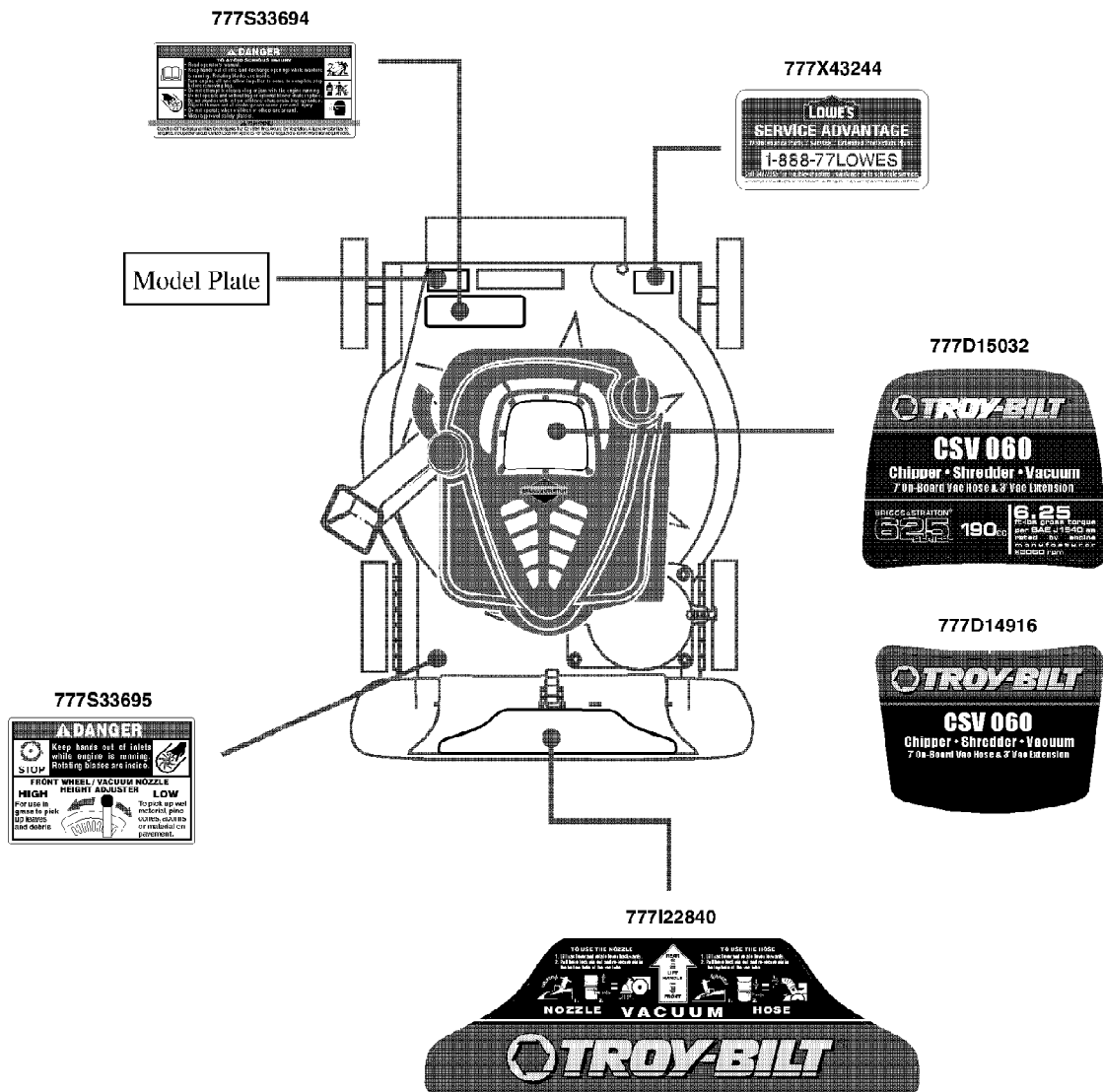
Ref #	Part Number	Qty	S/P/F	Description
49	734-04033	1	/P	Wheel 8 x 2
50	712-04065	1	/P	Flange Lock Nut, 3/8-16
51	710-04666	1		Screw, 1/4-20 x .75
52	731-06445	1		Hose Extension
53	747-04985	1		Tube Holder If Equipped
54	931-04261	1	/P	Engine Shroud If Equipped
55	710-04744	1		Screw, #12-16 x 1.00 If Equipped



24A-06MM066 Chipper Shredder Vac (2010)
CSV 060 Impeller

Page 5 of 9

Ref #	Part Number	Qty	S/P/F	Description
1	964-04031	1	/P	Bag Assembly
2	681-0154-0637	1	/P	Screen Assembly
3	710-1054	1	/P	Hex Screw 5/16-24 x 1.0
4	981-0490	1	/P	Chipper Blade
5	781-0735	1		Pin Clip
6	719-0329	1		Flail
7	715-0166	1		Spiral Pin
8	711-1401	1		Clevis Pin
9	912-0411	1	/P	Lock Nut, 5/16-24
10	936-0119	1	/P	Lock Washer, 5/16
11	981-0152	1	/P	Impeller Assembly (Incl. Ref.# 3 - 10)
12	710-1650	1	/P	Shoulder Screw, #12-24 x.30 x.46
13	781-0721B-0638	1	/P	Lower Flail Housing
14	712-04063	1	/P	Flange Lock Nut 5/16-18
15	710-0607	1	/P	Screw, 5/16-18 x.500
16	747-04297	1		Hinge Pin
17	731-2293A	1	S	Nozzle
18	781-1064	1		Base Adapter Door
19	732-1156	1		Torsion Spring
20	926-0106	1	/P	Cap Speed Nut 1/4
21	711-1551	1		Pivot Rod
22	731-04967	1		Nozzle Door Lever
23	710-1256	1	/P	Hex Screw, #8-18 x 1.25
24	750-1294	1		Shoulder Spacer
25	732-3118	1		Extension Spring
26	732-1151A	1		Nozzle Door Torsion Spring
27	731-2294A	1	/P	Nozzle Door
28	664-04029	1		Bag
29	631-0083	1		Chute Assembly
30	710-0726	1	/P	Hex Index Screw, 5/16-12 x.750
31	736-0247	1	/P	Flat Washer.375 ID x 1.25 OD
32	936-0217	1	/P	Lock Washer 3/8
33	710-0818	1	/P	Hex Cap Screw 3/8-24 x 2.0
34	925-1700	1	/P	Switch Cover
35	925-3166	1	/P	Safety Switch
36	931-1613	1	/P	Safety Switch Cover
37	910-0224	1	/P	Hex Washer Screw #10-16 x.50
38	629-0920A	1	/P	Wire Harness
39	914-0104	1	/P	Cotter Pin
40	732-0962	1		Compression Spring
41	781-0778A-0637	1	/P	Mounting Bracket
42	747-1153	1		Lock Rod
43	710-3195	1		Hex Cap Screw 5/16-18 x 4.5
44	710-3025	1	/P	Hex Cap Screw 5/16-18 x.625
45	710-0654A	1	/P	Screw 3/8-16 x 1.00
46	710-1220	1	/P	Screw, #12-16 x.750
47	710-0351	1	/P	Screw #10 - 16 x.500
48	736-0607	1	/P	External L-Washer 5/16
49	726-0139	1	/P	Speed Nut
	723-0400	1	/P	Safety Glasses (Not Shown)



24A-06MM066 Chipper Shredder Vac (2010)
CSV 060 Label Map

Page 7 of 9

Ref #	Part Number	Qty	S/P/F	Description
777S33694	777S33694	1		LABEL-DANGER/WARNING FLAIL HSG
777S33695	777S33695	1		LABEL-DANGER/HGHT ADJUST
777I22840	777I22840	1		LABEL-CSV NOZZLE TROY
777D14916	777D14916	1		LABEL-M5 SHROUD 173CC T-BILT 060 CSV 24A-06MM066
777D15032	777D15032	1		LABEL-B&S SHRD 190CC T-BILT 060 CSV 24A-060B011/C211
777X43244	777X43244	1		LABEL-LOWE'S SERVICE ADVANTAGE



Ref #	Part Number	Qty	S/P/F	Description
	Not Available	1		Spark Plug B&S Engines
	Not Available	1		Pre Filter B&S Engines
	Not Available	1		Air Filter B&S Engines
	Not Available	1		Fuel Filter B&S Engines
	Not Available	1		Fuel Cap B&S Engines
	951-10292	1	/P	Spark Plug 1P70C0A
	951-10794	1	/P	Air Filter Assembly 1P70C0A
	951-11933	1	/P	Fuel Filter 1P70C0A
	951-10917	1	/P	Fuel Cap 1P70C0A
	981-0152	1	/P	Impeller Assembly
	981-0490	1	/P	Chipper Blade
	719-0329	1		Flail Blade
	681-0154-0637	1	/P	Screen Assembly
	681-04088-0638	1		Chipper Chute
	N/A	1		Drive Belt
	N/A	1		Drive Control Cable
	N/A	1		Speed Control Cable
	N/A	1		Chain
	925-3166	1	/P	Safety Switch
	720-0279	1	/P	Handle Knob
	734-04033	1	/P	Wheels - Front
	734-04033	1	/P	Wheels - Rear
	N/A	1		Hub Cap
	664-04029	1		Grass Bag
	964-04031	1	/P	Bag Chute Assembly