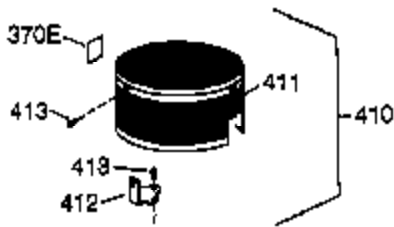
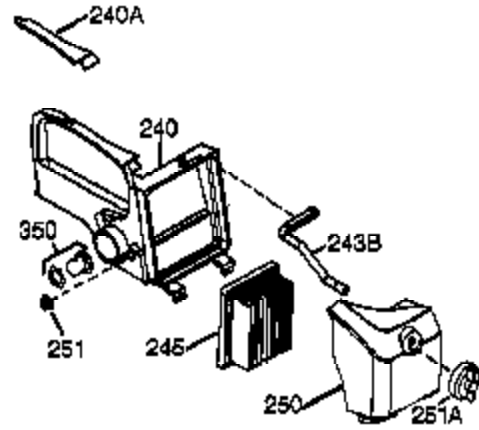
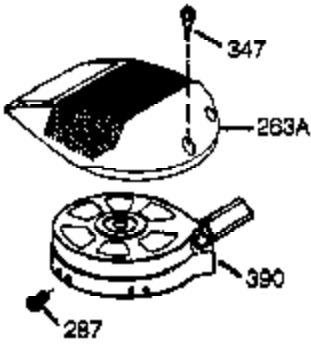
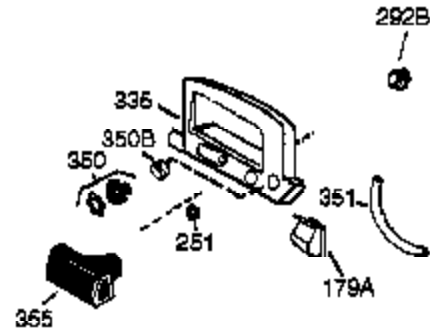


Engine Parts List #1

| Ref # | Part Number | Qty | Description |
|-------|-------------|-----|---------------------------------------|
| 1 | 36177 | 1 | Cylinder (Incl. 2,10,12,20 & 125) |
| 2 | 27652 | 2 | Dowel Pin |
| 6 | 36059 | 1 | Breather Element |
| 9 | 590568 | 3 | Screw, 10-24 x 3/4" |
| 10 | 36002 | 1 | Breather Valve Body |
| 11 | 36003A | 1 | Check Valve |
| 12C | 36005A | 1 | * Breather Cover & Gasket |
| 12 | 32447 | 1 | Breather Tube |
| 14 | 28277 | 1 | Washer |
| 15 | 36006 | 1 | Governor Rod (Machined) |
| 16 | 36008 | 1 | Governor Lever |
| 17 | 31335 | 1 | Governor Lever Clamp |
| 18 | 651018 | 1 | Screw, Torx T-15, 8-32 x 19/64" |
| 19 | 36103 | 1 | Governor Spring |
| 20 | 36010 | 1 | Oil Seal |
| 25 | 37300 | 1 | Blower Housing Baffle (Incl.195) |
| 26 | 650802 | 3 | Screw, 1/4-20 x 5/8" |
| 30 | 36178 | 1 | Crankshaft |
| 40 | 40004 | 1 | Piston,Pin,Ring Set (Std.) |
| 40 | 40005 | 1 | Piston,Pin,Ring Set (.010 OS) |
| 41 | 36070 | 1 | Piston & Pin Ass'y.(Std.) (Incl. 43) |
| 41 | 36071 | 1 | Piston & Pin Ass'y.(.010 OS)(Incl.43) |
| 42 | 40006 | 1 | Ring Set (Std.) |
| 42 | 40007 | 1 | Ring Set (.010 OS) |
| 43 | 20381 | 2 | Piston Pin Retaining Ring |
| 45 | 36023A | 1 | Connecting Rod Ass'y. (Incl. 46) |
| 46 | 32610A | 2 | Connecting Rod Bolt |
| 48 | 36030 | 2 | Valve Lifter |
| 50 | 36031A | 1 | Camshaft (MCR) |
| 52 | 29914 | 1 | Oil Pump Ass'y. |
| 69 | 36032A | 1 | * Mounting Flange Gasket |
| 70 | 37271 | 1 | Mounting Flange (Incl. 72 thru 85) |
| 72 | 36083 | 1 | Oil Drain Plug |
| 75 | 36010 | 1 | Oil Seal |
| 80 | 30574A | 1 | Governor Shaft |
| 81 | 30590A | 1 | Washer |
| 82 | 30591 | 1 | Governor Gear Ass'y. (Incl.81) |
| 83 | 36057 | 1 | Governor Spool |
| 85 | 36034 | 1 | Idle Gear |
| 86 | 650924 | 7 | Screw, 1/4-20 x 1-9/16" |
| 89 | 611154 | 1 | Flywheel Key |
| 90 | 611155 | 1 | Flywheel |
| 91 | 611156 | 1 | Flywheel Fan |
| 92 | 650815 | 1 | Belleville Washer |
| 93 | 650816 | 1 | Flywheel Nut |
| 100 | 34443B | 1 | Solid State Ignition |
| 101 | 610118 | 1 | Spark Plug Cover |
| 103 | 651007 | 2 | Screw, Torx T-15, 10-24 x 15/16" |
| 110 | 36054 | 1 | Ground Wire |
| 119 | 36061 | 1 | * Cylinder Head Gasket |
| 120 | 36187 | 1 | Cylinder Head |
| 125 | 36471 | 1 | Exhaust Valve (Std.) (Incl. 151) |
| 125 | 36472 | 1 | Exhaust Valve (1/32" OS) |
| 126 | 29314C | 1 | Intake Valve (Std.) (Incl. 151) |
| 130 | 6021A | 7 | Screw, 5/16-18 x 1-1/2" |
| 135 | 33636 | 1 | Resistor Spark Plug (RJ17LM) |
| 150 | 31672 | 2 | Valve Spring |
| 151A | 40016A | 1 | Intake Valve Seal |

| Ref # | Part Number | Qty | Description |
|-------|-------------|-----|---|
| 151 | 31673 | 2 | Lower Valve Spring Cap |
| 169 | 27234A | 1 | * Valve Spring Box Gasket |
| 172 | 32755 | 1 | Valve Spring Box Cover |
| 174 | 30200 | 2 | Screw, 10-24 x 9/16" |
| 177 | 650925A | 2 | Carburetor Mounting Stud |
| 184 | 36183 | 2 | Carburetor/Air Baffle |
| 186 | 36009 | 1 | Governor Link |
| 187A | 37148 | 1 | * Air Baffle |
| 190 | 36013 | 1 | Brake Lever Ass'y. |
| 191A | 36012 | 1 | Brake Control Lever |
| 192 | 36016 | 1 | Brake Control Lever Link |
| 193 | 36015 | 1 | Brake Spring |
| 194 | 36014 | 2 | Retaining Ring |
| 195 | 610973 | 1 | Terminal Ass'y. |
| 198 | 36017 | 1 | Brake Control Lever Spring |
| 199 | 36018 | 1 | Bushing |
| 239 | 36048 | 1 | * Carburetor to Air Cleaner Gasket |
| 240 | 36190 | 1 | Air Cleaner Body (Incl.239,299 & 350) |
| 243A | 651041 | 1 | A/C Stud |
| 245 | 36046 | 1 | Air Cleaner Filter |
| 250 | 36191 | 1 | Air Cleaner Cover |
| 251 | 650933 | 1 | Screw, 1/4-20 |
| 255 | 36193 | 1 | Control Plate |
| 256 | 650983 | 2 | Screw, 8-32 x 21/64" |
| 260 | 37194 | 1 | Blower Housing |
| 262 | 650737 | 4 | Screw, 1/4-20 x 1/2" |
| 275 | 36107A | 1 | Muffler |
| 276 | 36043 | 1 | Locking Plate |
| 277 | 650927 | 2 | Screw, 5/6-18 x 2-11/32" |
| 285 | 34449A | 1 | Starter Cup |
| 287 | 650926 | 4 | Screw, 8-32 x 21/64" |
| 290 | 34357 | 1 | Fuel Line |
| 292 | 26460 | 2 | Fuel Line Clamp |
| 300 | 36130 | 1 | Fuel Tank (Incl. 301) |
| 301 | 36246 | 1 | Fuel Cap |
| 305 | 36063 | 1 | Oil Fill Tube |
| 307 | 35499 | 1 | "O" Ring |
| 308 | 36040 | 1 | Fill Tube Clip |
| 310 | 36147 | 1 | Dipstick |
| 346A | 28763 | 2 | Screw, 10-32 x 35/64" |
| 350 | 36045A | 1 | Primer |
| 370A | 36261 | 1 | Lubrication Decal |
| 370D | 36534 | 1 | Caution Decal |
| 380 | 640020A | 1 | Carburetor (Incl. 184,187A & 239) |
| 390 | 590739 | 1 | Rewind Starter (NOTE: This engine could have been built with 590702 starter). |
| 400 | 36062D | 1 | * Gasket Set (Incl. items marked PK in notes). Incl. part #'s 27234A (1), 28833 (1), 36005A (1), 36032A (1), 36061 (1), 37136 (1), 696088 (1) |
| 416 | 36085 | 1 | Spark Arrestor Kit (Incl. 417)(Optional) |
| 417 | 650821 | 1 | Screw, 10-32 x 1/2" (Optional) |



| Ref # | Part Number | Qty | Description |
|-------|-------------|-----|---|
| 151A | 40016A | 1 | Intake Valve Seal |
| 240A | 37195 | 1 | A/C Body Extension (Black) |
| 240 | 36190 | 1 | Air Cleaner Body (Incl.239,299 & 350) |
| 243A | 651041 | 1 | A/C Stud |
| 245 | 36046 | 1 | Air Cleaner Filter |
| 250 | 36191 | 1 | Air Cleaner Cover |
| 251 | 650933 | 1 | Screw, 1/4-20 |
| 251A | 650928 | 2 | Lock Nut 1/4-20 |
| 263A | 36133 | 1 | Starter Grill |
| 287 | 650926 | 4 | Screw, 8-32 x 21/64" |
| 347 | 650898A | 1 | Screw, 10-32 x 27/32" |
| 350 | 36045A | 1 | Primer |
| 390 | 590739 | 1 | Rewind Starter (NOTE: This engine could have been built with 590702 starter). |