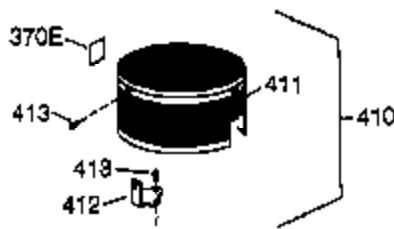
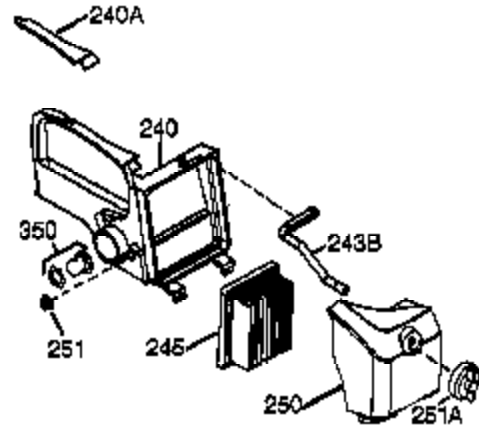
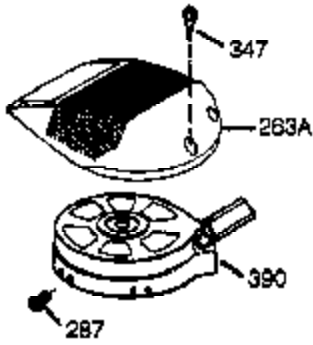
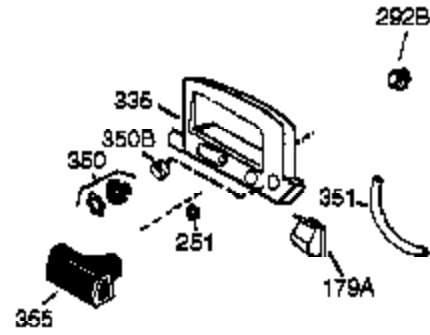


## Engine Parts List #1

| Ref # | Part Number | Qty | Description                           |
|-------|-------------|-----|---------------------------------------|
| 1     | 36177       | 1   | Cylinder (Incl. 2,10,12,20 & 125)     |
| 2     | 27652       | 2   | Dowel Pin                             |
| 6     | 36059       | 1   | Breather Element                      |
| 9     | 590568      | 3   | Screw, 10-24 x 3/4"                   |
| 10    | 36002       | 1   | Breather Valve Body                   |
| 11    | 36003A      | 1   | Check Valve                           |
| 12    | 32447       | 1   | Breather Tube                         |
| 12C   | 36005A      | 1   | * Breather Cover & Gasket             |
| 14    | 28277       | 1   | Washer                                |
| 15    | 36006       | 1   | Governor Rod (Machined)               |
| 16    | 36008       | 1   | Governor Lever                        |
| 17    | 31335       | 1   | Governor Lever Clamp                  |
| 18    | 651018      | 1   | Screw, Torx T-15, 8-32 x 19/64"       |
| 19    | 36103       | 1   | Governor Spring                       |
| 20    | 36010       | 1   | Oil Seal                              |
| 25    | 36081       | 1   | Blower Housing Baffle (Incl.195)      |
| 26    | 650802      | 3   | Screw, 1/4-20 x 5/8"                  |
| 30    | 36178       | 1   | Crankshaft                            |
| 40    | 40004       | 1   | Piston,Pin,Ring Set (Std.)            |
| 40    | 40005       | 1   | Piston,Pin,Ring Set (.010 OS)         |
| 41    | 36070       | 1   | Piston & Pin Ass'y.(Std.) (Incl. 43)  |
| 41    | 36071       | 1   | Piston & Pin Ass'y.(.010 OS)(Incl.43) |
| 42    | 40006       | 1   | Ring Set (Std.)                       |
| 42    | 40007       | 1   | Ring Set (.010 OS)                    |
| 43    | 20381       | 2   | Piston Pin Retaining Ring             |
| 45    | 36023A      | 1   | Connecting Rod Ass'y. (Incl. 46)      |
| 46    | 32610A      | 2   | Connecting Rod Bolt                   |
| 48    | 36030       | 2   | Valve Lifter                          |
| 50    | 36031A      | 1   | Camshaft (MCR)                        |
| 52    | 29914       | 1   | Oil Pump Ass'y.                       |
| 69    | 36032A      | 1   | * Mounting Flange Gasket              |
| 70    | 37271       | 1   | Mounting Flange (Incl. 72 thru 85)    |
| 72    | 36083       | 1   | Oil Drain Plug                        |
| 75    | 36010       | 1   | Oil Seal                              |
| 80    | 30574A      | 1   | Governor Shaft                        |
| 81    | 30590A      | 1   | Washer                                |
| 82    | 30591       | 1   | Governor Gear Ass'y. (Incl.81)        |
| 83    | 36057       | 1   | Governor Spool                        |
| 85    | 36034       | 1   | Idle Gear                             |
| 86    | 650924      | 7   | Screw, 1/4-20 x 1-9/16"               |
| 89    | 611154      | 1   | Flywheel Key                          |
| 90    | 611155      | 1   | Flywheel                              |
| 91    | 611156      | 1   | Flywheel Fan                          |
| 92    | 650815      | 1   | Belleville Washer                     |
| 93    | 650816      | 1   | Flywheel Nut                          |
| 100   | 34443B      | 1   | Solid State Ignition                  |
| 101   | 610118      | 1   | Spark Plug Cover                      |
| 103   | 651007      | 2   | Screw, Torx T-15, 10-24 x 15/16"      |
| 110   | 36054       | 1   | Ground Wire                           |
| 119   | 36061       | 1   | * Cylinder Head Gasket                |
| 120   | 36187       | 1   | Cylinder Head                         |
| 125   | 36471       | 1   | Exhaust Valve (Std.) (Incl. 151)      |
| 125   | 36472       | 1   | Exhaust Valve (1/32" OS)              |
| 126   | 29314C      | 1   | Intake Valve (Std.) (Incl. 151)       |
| 130   | 6021A       | 7   | Screw, 5/16-18 x 1-1/2"               |
| 135   | 35395       | 1   | Resistor Spark Plug (RJ19LM)          |
| 150   | 31672       | 2   | Valve Spring                          |
| 151   | 31673       | 2   | Lower Valve Spring Cap                |

## Engine Parts List #1

| Ref # | Part Number | Qty | Description   |
|-------|-------------|-----|---|
| 151A  | 40016A      | 1   | Intake Valve Seal   |
| 169   | 27234A      | 1   | * Valve Spring Box Gasket   |
| 172   | 32755       | 1   | Valve Spring Box Cover  |
| 174   | 30200       | 2   | Screw, 10-24 x 9/16"  |
| 177   | 650925A     | 2   | Carburetor Mounting Stud  |
| 186   | 36009       | 1   | Governor Link   |
| 187B  | 36035       | 1   | * Carburetor Gasket/Air Baffle  |
| 190   | 36013       | 1   | Brake Lever Ass'y.  |
| 191A  | 36012       | 1   | Brake Control Lever   |
| 192   | 36016       | 1   | Brake Control Lever Link  |
| 193   | 36015       | 1   | Brake Spring  |
| 194   | 36014       | 2   | Retaining Ring  |
| 195   | 610973      | 1   | Terminal Ass'y.   |
| 198   | 36017       | 1   | Brake Control Lever Spring  |
| 199   | 36018       | 2   | Brake Lever Bushing   |
| 202   | 36482       | 1   | Compression Spring  |
| 203   | 31342       | 1   | Compression Spring  |
| 204   | 651029      | 1   | Screw, Torx T-10, 5-40 x 7/16"  |
| 205   | 651030      | 1   | Screw, Torx T-10, 6-32 x 17/32"   |
| 239   | 36048       | 1   | * Carburetor to Air Cleaner Gasket  |
| 240   | 36044B      | 1   | Air Cleaner Body (Incl.239,299 & 350)   |
| 243   | 650899      | 1   | Screw, 10-32 x 2-3/32"  |
| 245   | 36046       | 1   | Air Cleaner Filter  |
| 250   | 36179       | 1   | Air Cleaner Cover   |
| 251   | 650928      | 2   | Lock Nut 1/4-20   |
| 255   | 36105       | 1   | Control Plate   |
| 256   | 650983      | 2   | Screw, 8-32 x 21/64"  |
| 260   | 36425       | 1   | Blower Housing  |
| 262   | 650737      | 3   | Screw, 1/4-20 x 1/2"  |
| 262   | 650929      | 1   | Screw, 1/4-20 x 11/16"  |
| 275   | 36107       | 1   | Muffler   |
| 276   | 36043       | 1   | Locking Plate   |
| 277   | 650927      | 2   | Screw, 5/6-18 x 2-11/32"  |
| 285   | 34449A      | 1   | Starter Cup   |
| 287   | 650926      | 2   | Screw, 8-32 x 21/64"  |
| 290   | 34357       | 1   | Fuel Line   |
| 292   | 26460       | 2   | Fuel Line Clamp   |
| 299   | 650900      | 1   | "U" Type Nut Clip   |
| 300   | 36066       | 1   | Fuel Tank (Incl. 301)   |
| 301   | 36246       | 1   | Fuel Cap  |
| 305   | 36063       | 1   | Oil Fill Tube   |
| 307   | 35499       | 1   | "O" Ring  |
| 308   | 36040       | 1   | Fill Tube Clip  |
| 310   | 36147       | 1   | Dipstick  |
| 346A  | 28763       | 2   | Screw, 10-32 x 35/64"   |
| 350   | 36045A      | 1   | Primer  |
| 370A  | 36261       | 1   | Lubrication Decal   |
| 370D  | 36534       | 1   | Caution Decal   |
| 380   | 640020A     | 1   | Carburetor (Incl. 184,187A & 239)   |
| 390   | 590739      | 1   | Rewind Starter (NOTE: This engine could have been built with 590702 starter).   |
| 400   | 36062D      | 1   | * Gasket Set (Incl. items marked PK in notes). Incl. part #'s 27234A (1), 28833 (1), 36005A (1), 36032A (1), 36061 (1), 37136 (1), 696088 (1) |
| 416   | 36085       | 1   | Spark Arrestor Kit (Incl. 417)(Optional)  |
| 417   | 650821      | 1   | Screw, 10-32 x 1/2" (Optional)  |
| 420   | 730225      | 1   | 4 Cycle Oil, SAE 30 (Quart)   |



| Ref # | Part Number | Qty | Description   |
|-------|-------------|-----|---|
| 151A  | 40016A      | 1   | Intake Valve Seal   |
| 187B  | 36035       | 1   | * Carburetor Gasket/Air Baffle  |
| 240   | 36044B      | 1   | Air Cleaner Body (Incl.239,299 & 350)   |
| 245   | 36046       | 1   | Air Cleaner Filter  |
| 250   | 36179       | 1   | Air Cleaner Cover   |
| 251   | 650928      | 2   | Lock Nut 1/4-20   |
| 263A  | 36426       | 1   | Starter Grill   |
| 287   | 650926      | 2   | Screw, 8-32 x 21/64"  |
| 347   | 650898A     | 1   | Screw, 10-32 x 27/32"   |
| 350   | 36045A      | 1   | Primer  |
| 390   | 590739      | 1   | Rewind Starter (NOTE: This engine could have been built with 590702 starter). |