

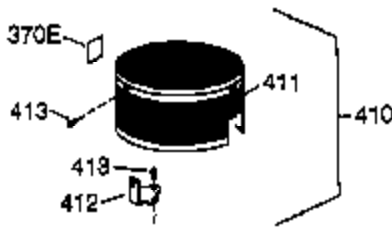
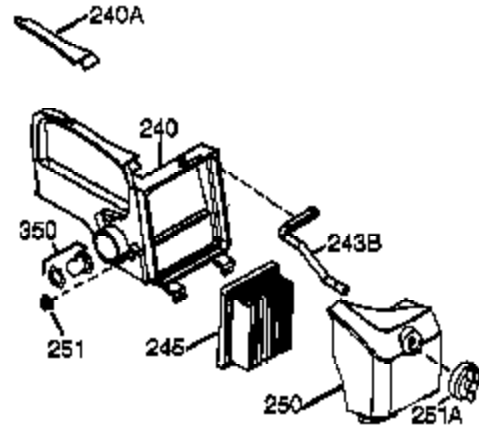
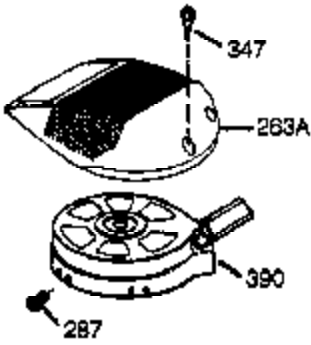
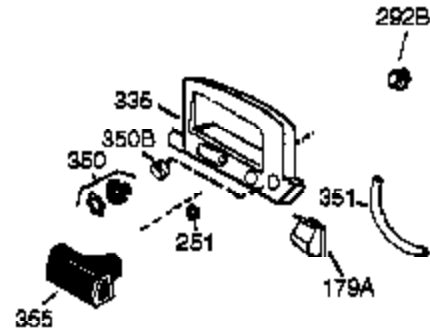
## Engine Parts List #1

| Ref # | Part Number | Qty | Description                           |
|-------|-------------|-----|---------------------------------------|
|       | 1 36177     | 1   | Cylinder (Incl. 2,10,12,20 & 125)     |
|       | 2 27652     | 2   | Dowel Pin                             |
|       | 6 36059     | 1   | Breather Element                      |
|       | 9 590568    | 3   | Screw, 10-24 x 3/4"                   |
|       | 10 36002    | 1   | Breather Valve Body                   |
|       | 11 36003A   | 1   | Check Valve                           |
|       | 12 32447    | 1   | Breather Tube                         |
|       | 12C 36005A  | 1   | * Breather Cover & Gasket             |
|       | 14 28277    | 1   | Washer                                |
|       | 15 36006    | 1   | Governor Rod (Machined)               |
|       | 16 36008    | 1   | Governor Lever                        |
|       | 17 31335    | 1   | Governor Lever Clamp                  |
|       | 18 651018   | 1   | Screw, Torx T-15, 8-32 x 19/64"       |
|       | 19 37234    | 1   | Governor Spring                       |
|       | 20 36010    | 1   | Oil Seal                              |
|       | 25 36145    | 1   | Blower Housing Baffle (Incl.195)      |
|       | 26 650802   | 3   | Screw, 1/4-20 x 5/8"                  |
|       | 30 36180    | 1   | Crankshaft                            |
|       | 40 40004    | 1   | Piston,Pin,Ring Set (Std.)            |
|       | 40 40005    | 1   | Piston,Pin,Ring Set (.010 OS)         |
|       | 41 36070    | 1   | Piston & Pin Ass'y.(Std.) (Incl. 43)  |
|       | 41 36071    | 1   | Piston & Pin Ass'y.(.010 OS)(Incl.43) |
|       | 42 40006    | 1   | Ring Set (Std.)                       |
|       | 42 40007    | 1   | Ring Set (.010 OS)                    |
|       | 43 20381    | 2   | Piston Pin Retaining Ring             |
|       | 45 36023A   | 1   | Connecting Rod Ass'y. (Incl. 46)      |
|       | 46 32610A   | 2   | Connecting Rod Bolt                   |
|       | 48 36030    | 2   | Valve Lifter                          |
|       | 50 36031A   | 1   | Camshaft (MCR)                        |
|       | 52 29914    | 1   | Oil Pump Ass'y.                       |
|       | 69 36032A   | 1   | * Mounting Flange Gasket              |
|       | 70 37271    | 1   | Mounting Flange (Incl. 72 thru 85)    |
|       | 72A 28483   | 1   | Oil Drain Plug                        |
|       | 72 36083    | 1   | Oil Drain Plug                        |
|       | 75 36010    | 1   | Oil Seal                              |
|       | 80 30574A   | 1   | Governor Shaft                        |
|       | 81 30590A   | 1   | Washer                                |
|       | 82 30591    | 1   | Governor Gear Ass'y. (Incl.81)        |
|       | 83 36057    | 1   | Governor Spool                        |
|       | 85 36034    | 1   | Idler Gear                            |
|       | 86 650924   | 7   | Screw, 1/4-20 x 1-9/16"               |
|       | 89 611154   | 1   | Flywheel Key                          |
|       | 90 611170   | 1   | Flywheel                              |
|       | 92 650815   | 1   | Belleville Washer                     |
|       | 93 650816   | 1   | Flywheel Nut                          |
|       | 100 34443B  | 1   | Solid State Ignition                  |
|       | 101 610118  | 1   | Spark Plug Cover                      |
|       | 103 651007  | 2   | Screw, Torx T-15, 10-24 x 15/16"      |
|       | 110A 36230  | 1   | Ground Wire                           |
|       | 119 36061   | 1   | * Cylinder Head Gasket                |
|       | 120 36187   | 1   | Cylinder Head                         |
|       | 125 36471   | 1   | Exhaust Valve (Std.) (Incl. 151)      |
|       | 125 36472   | 1   | Exhaust Valve (1/32" OS)              |
|       | 126 29314C  | 1   | Intake Valve (Std.) (Incl. 151)       |
|       | 126 29315C  | 1   | Intake Valve (1/32" OS) (Incl. 151)   |
|       | 130 6021A   | 7   | Screw, 5/16-18 x 1-1/2"               |
|       | 135 33636   | 1   | Resistor Spark Plug (RJ17LM)          |
|       | 150 31672   | 2   | Valve Spring                          |

## Engine Parts List #1

| Ref # | Part Number | Qty | Description   |
|-------|-------------|-----|---|
| 151A  | 40016A      | 1   | Intake Valve Seal   |
| 151   | 31673       | 2   | Lower Valve Spring Cap  |
| 169   | 27234A      | 1   | * Valve Spring Box Gasket   |
| 172   | 32755       | 1   | Valve Spring Box Cover  |
| 174   | 30200       | 2   | Screw, 10-24 x 9/16"  |
| 177   | 650925A     | 2   | Carburetor Mounting Stud  |
| 184   | 36183       | 2   | Carburetor Gasket   |
| 186   | 36009       | 1   | Governor Link   |
| 187A  | 37136       | 1   | * Air Baffle  |
| 195   | 610973      | 1   | Terminal Ass'y.   |
| 202   | 36482       | 1   | Compression Spring  |
| 203   | 31342       | 1   | Compression Spring  |
| 204   | 651029      | 1   | Screw, Torx T-10, 5-40 x 7/16"  |
| 205   | 651030      | 1   | Screw, Torx T-10, 6-32 x 17/32"   |
| 215   | 36051       | 1   | Control Knob  |
| 239   | 36048       | 1   | * Carburetor to Air Cleaner Gasket  |
| 240   | 36044B      | 1   | Air Cleaner Body (Incl.239,299 & 350)   |
| 243   | 650899      | 1   | Screw, 10-32 x 2-3/32"  |
| 245   | 36046       | 1   | Air Cleaner Filter  |
| 245A  | 36102       | 1   | Air Cleaner Filter  |
| 250   | 36047       | 1   | Air Cleaner Cover   |
| 251   | 650928      | 2   | Lock Nut 1/4-20   |
| 255   | 36110       | 1   | Control Plate   |
| 256   | 650983      | 2   | Screw, 8-32 x 17/32"  |
| 260   | 36038       | 1   | Blower Housing  |
| 262   | 650737      | 3   | Screw, 1/4-20 x 1/2"  |
| 262   | 650929      | 1   | Screw, 1/4-20 x 11/16"  |
| 263   | 36108       | 1   | Trim Ring   |
| 275   | 36107A      | 1   | Muffler   |
| 276   | 36043       | 1   | Locking Plate   |
| 277   | 650927      | 2   | Screw, 5/16-18 x 2-11/32"   |
| 285   | 34449A      | 1   | Starter Cup   |
| 287   | 650926      | 2   | Screw, 8-32 x 21/64"  |
| 290   | 34357       | 1   | Fuel Line   |
| 292   | 26460       | 2   | Fuel Line Clamp   |
| 299   | 650900      | 1   | "U" Type Nut Clip   |
| 300   | 36066       | 1   | Fuel Tank (Incl. 301)   |
| 301   | 36246       | 1   | Fuel Cap  |
| 305   | 36063       | 1   | Oil Fill Tube   |
| 307   | 35499       | 1   | "O" Ring  |
| 308   | 36040       | 1   | Fill Tube Clip  |
| 310   | 36147       | 1   | Dipstick  |
| 346A  | 28763       | 2   | Screw, 10-32 x 35/64"   |
| 350   | 36045A      | 1   | Primer  |
| 370S  | 37454       | 1   | Control Primer Decal  |
| 370B  | 36530       | 1   | Control Decal   |
| 370G  | 37301       | 1   | Instruction Decal   |
| 370K  | 36695       | 1   | Starter Decal   |
| 370A  | 36261       | 1   | Lubrication Decal   |
| 380   | 640020A     | 1   | Carburetor (Incl. 184,187A & 239)   |
| 390   | 590737      | 1   | Rewind Starter (NOTE: This engine could have been built with 590694 starter).   |
| 400   | 36062D      | 1   | * Gasket Set (Incl. items marked PK in notes). Incl. part #'s 27234A (1), 28833 (1), 36005A (1), 36032A (1), 36061 (1), 37136 (1), 696088 (1) |
| 416   | 36085       | 1   | Spark Arrestor Kit (Incl. 417)(Optional)  |
| 417   | 650821      | 1   | Screw, 10-32 x 1/2" (Optional)  |

| Ref # | Part Number | Qty | Description                                 |
|-------|-------------|-----|---|
| 900   | 0           |     | Replacement Engine NONE, order from 7 1-999 |
| 900   | 0           | 1   | Replacement S/B 750850, order from 71 -999  |



| Ref # | Part Number | Qty | Description   |
|-------|-------------|-----|---|
| 151A  | 40016A      | 1   | Intake Valve Seal   |
| 240   | 36044B      | 1   | Air Cleaner Body (Incl.239,299 & 350)   |
| 245   | 36046       | 1   | Air Cleaner Filter  |
| 250   | 36047       | 1   | Air Cleaner Cover   |
| 251   | 650928      | 2   | Lock Nut 1/4-20   |
| 287   | 650926      | 2   | Screw, 8-32 x 21/64"  |
| 350   | 36045A      | 1   | Primer  |
| 390   | 590737      | 1   | Rewind Starter (NOTE: This engine could have been built with 590694 starter). |
| 900   | 0           |     | Replacement Engine NONE, order from 7 1-999                                   |
| 900   | 0           | 1   | Replacement S/B 750850, order from 71 -999                                    |