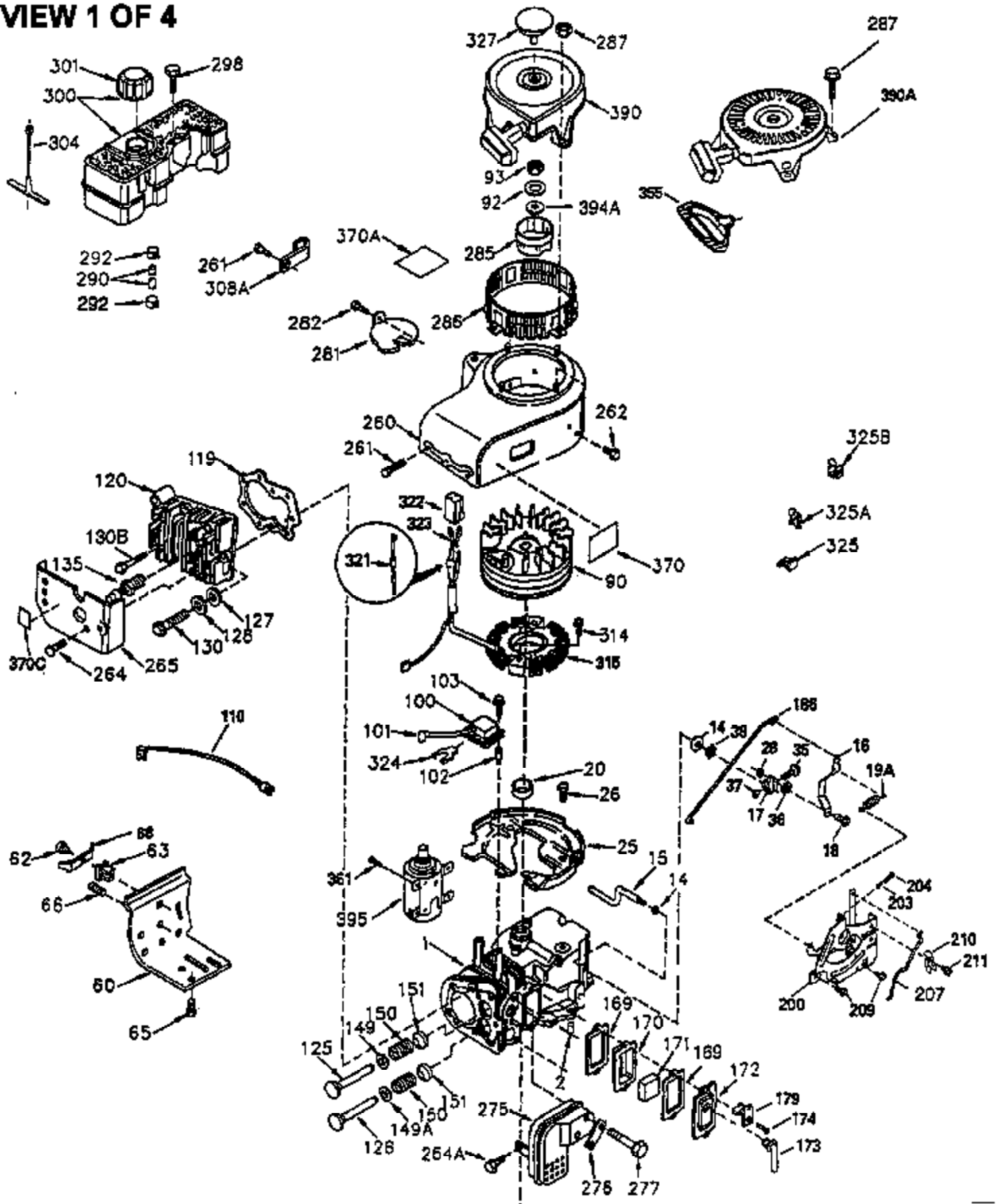


ILLUSTRATION SHOWS TYPICAL PARTS ONLY. ORDER BY PART NUMBER. PARTS NOT LISTED ARE SUPPLIED BY OEM.

VIEW 1 OF 4



CONTINUED ON PAGE 3

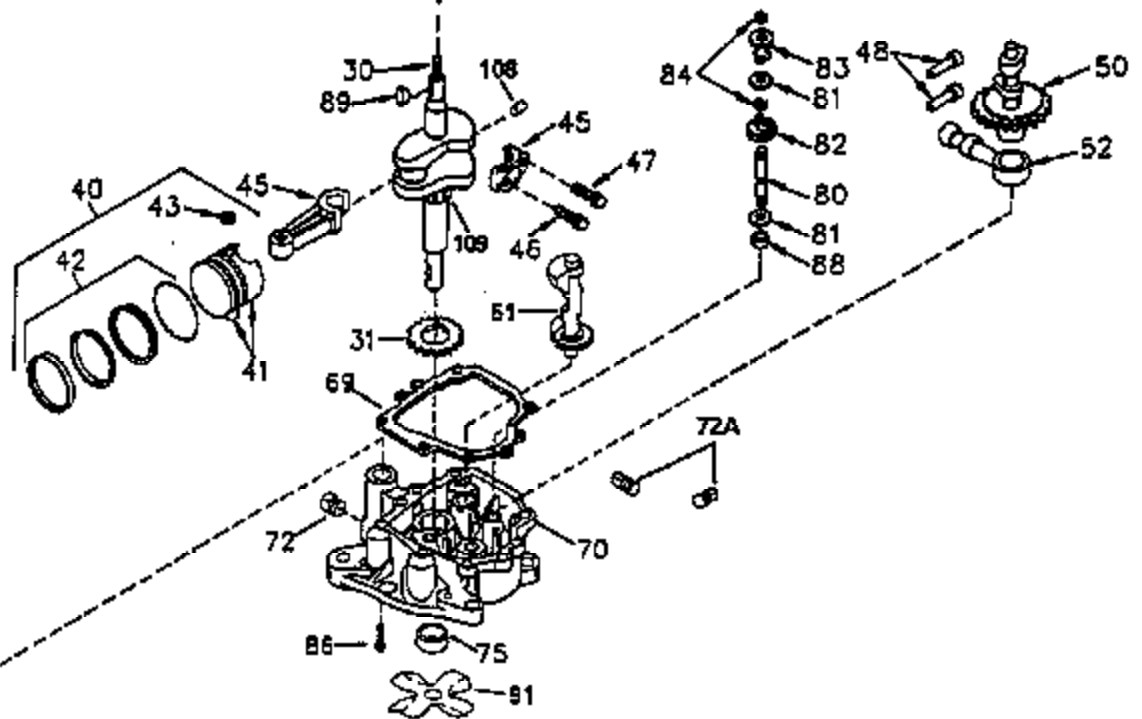
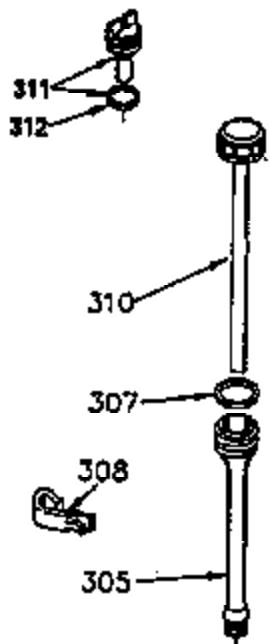
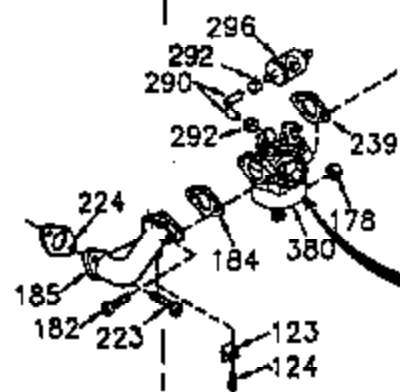
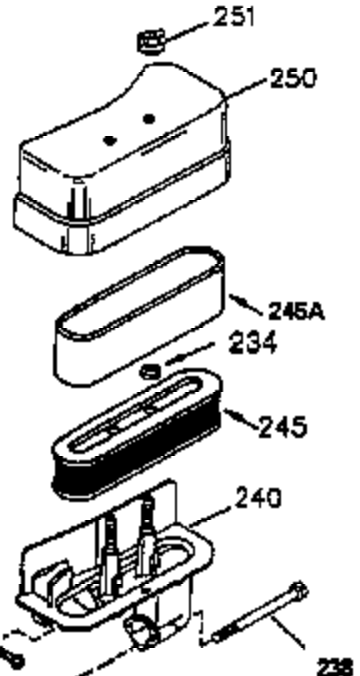
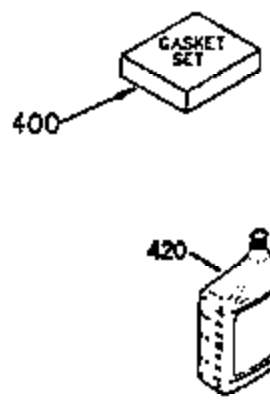
Engine Parts List #1

| Ref # | Part Number | Qty | Description |
|-------|-------------|-----|--------------------------------------|
| | 1 35383A | 1 | Cylinder (Incl. 2 & 20) |
| | 2 27652 | 2 | Dowel Pin |
| | 14 28277 | 2 | Washer |
| | 15 35082 | 1 | Governor Rod |
| | 16 32651 | 1 | Governor Lever |
| | 17 29916 | 1 | Governor Lever Clamp |
| | 18 650548 | 1 | Screw, 8-32 x 5/16" |
| | 19A 34043 | 1 | Extension Spring |
| | 20 35319 | 1 | Oil Seal |
| | 25 36460 | 1 | Blower Housing Baffle |
| | 26 650561 | 2 | Screw, 1/4-20 x 5/8" |
| | 28 30322 | 1 | Lock Nut, 8-32 |
| | 35 29826 | 1 | Screw, 10-32 x 3/4" |
| | 36 29918 | 1 | Lock Washer |
| | 37 29216 | 1 | Lock Nut, 10-32 |
| | 38 29642 | 1 | Retaining Ring |
| | 46 650908 | 1 | Connecting Rod Bolt |
| | 60 33273A | 1 | Blower Housing Extension |
| | 64 30063 | 1 | Screw, Torx T-30, 1/4-20 x 1/2" |
| | 65 650128 | 1 | Screw, 10-24 x 1/2" |
| | 90 611094 | 1 | Flywheel |
| | 92 650880 | 1 | Lock Washer |
| | 93 650881 | 1 | Flywheel Nut |
| | 100 35135 | 1 | Solid State Ignition |
| | 101 610118 | 1 | Spark Plug Cover |
| | 102 650872 | 2 | Solid State Mounting Stud |
| | 103 650814 | 2 | Screw, Torx T-15, 10-24 x 1" |
| | 110 35182 | 1 | Ground Wire |
| | 119 36448 | 1 | * Cylinder Head Gasket |
| | 120 36449 | 1 | Cylinder Head |
| | 125 27878A | 1 | Exhaust Valve (Std.) (Incl. 151) |
| | 125 27880A | 1 | Exhaust Valve (1/32" OS) (Incl. 151) |
| | 126 34035 | 1 | Intake Valve (Std.) (Incl. 151) |
| | 126 34036 | 1 | Intake Valve (1/32" OS) (Incl. 151) |
| | 127 650691 | 9 | Washer |
| | 128 650690 | 9 | Belleville Washer |
| | 130 650694A | 9 | Screw, 5/16-18 x 2" |
| | 135 33636 | 1 | Resistor Spark Plug (RJ17LM) |
| | 149A 35862 | 1 | Valve Spring Cap |
| | 149 27882 | 1 | Valve Spring Cap |
| | 150 27881 | 2 | Valve Spring |
| | 151 32581 | 2 | Valve Spring Keeper |
| | 169 27896A | 2 | * Valve Cover Gasket |
| | 170 28423 | 1 | Breather Body |
| | 171 28424 | 1 | Breather Element |
| | 172 28425 | 1 | Valve Cover |
| | 173 35350 | 1 | Breather Tube |
| | 174 650128 | 2 | Screw, 10-24 x 1/2" |
| | 186 33860 | 1 | Governor Link |
| | 200 33948A | 1 | Control Bracket (Incl. 203 & 204) |
| | 203 31342 | 1 | Compression Spring |
| | 204 650549 | 1 | Screw, 6-32 x 21/32" |
| | 207 33151 | 1 | Throttle Link |
| | 209 30200 | 2 | Screw, 10-24 x 9/16" |
| | 251A 650825 | 2 | Nut & Lock Washer, 1/4-20 |
| | 260 33635C | 1 | Blower Housing |
| | 261 650788 | 2 | Screw, 5/16-18 x 3/4" |
| | 262 29747B | 2 | Screw, Torx T-40, 5/16-24 x 21/32" |

| Ref # | Part Number | Qty | Description |
|-------|-------------|-----|---|
| 264 | 650802 | 1 | Screw, 1/4-20 x 5/8" |
| 265 | 33272B | 1 | Cylinder Head Cover |
| 275 | 34185A | 1 | Muffler |
| 276 | 31588 | 1 | Locking Plate |
| 277 | 650729 | 2 | Screw, 5/16-18 x 3-3/16" |
| 281 | 33013 | 1 | Starter Bubble Cover |
| 282 | 650760 | 1 | Screw, 8-32 x 3/8" |
| 285 | 35985A | 1 | Starter Cup |
| 286 | 35446 | 1 | Starter Screen |
| 287 | 29752 | 4 | Nut & Lockwasher, 1/4-28 |
| 290 | 30705 | 1 | Fuel Line |
| 292 | 26460 | 2 | Fuel Line Clamp |
| 298 | 28763 | 2 | Screw, 10-32 x 35/64" |
| 300 | 33583B | 1 | Fuel Tank (Incl. 292, 298 & 301) |
| 301 | 35355 | 1 | Fuel Cap |
| 314 | 650873 | 2 | Screw, 1/4-20 x 3/4" |
| 315 | 611097 | 1 | Alternator Coil (7 Amp)(Incl. 322,322 A & 323) |
| 322A | 610824 | 1 | Connector Body |
| 322 | 610921 | 1 | Connector Body |
| 323 | 610922 | 1 | Terminal |
| 324 | 33177 | 1 | Terminal |
| 325A | 27275 | 1 | Wire Clip |
| 325 | 29443 | 1 | Wire Clip |
| 327 | 35392 | 1 | Starter Plug |
| 370 | 36261 | 1 | Lubrication Decal |
| 370A | 35274 | 1 | Oil Instruction Decal |
| 390 | 590671 | 1 | Rewind Starter (Note: This engine could have been built with 590704 starter. Refer to the design of the air intake louvers for part identification. Individual starter parts do not interchange.) |

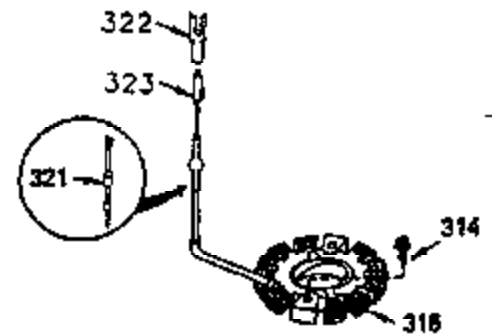
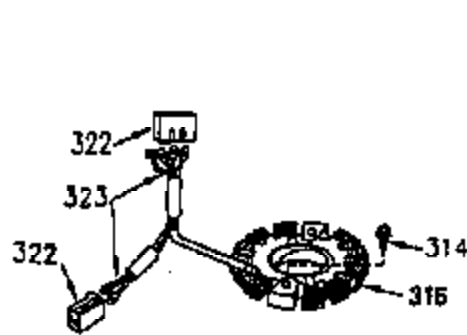
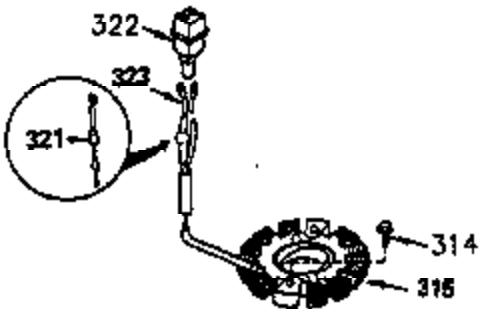
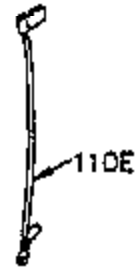
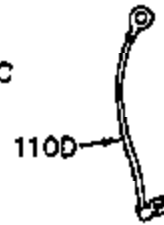
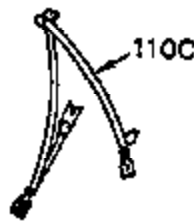
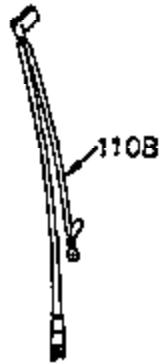
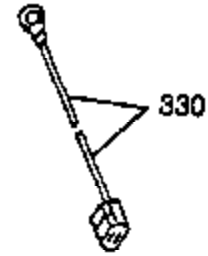
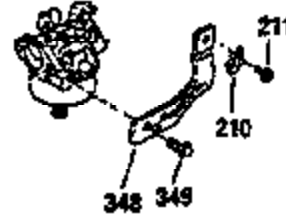
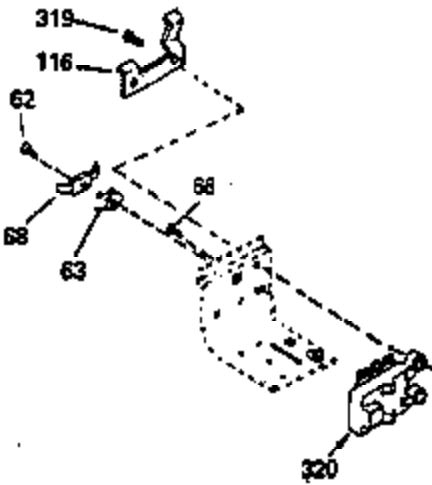
VIEW 2 OF 4

CONTINUED FROM PAGE 2



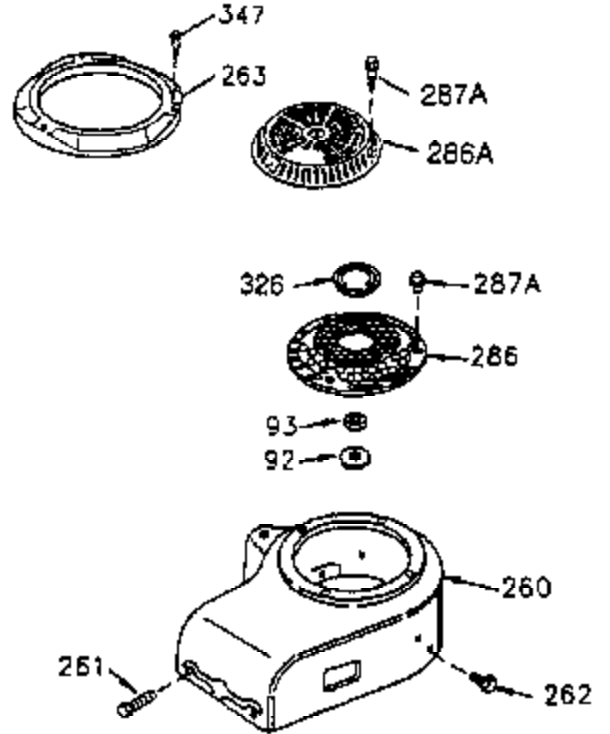
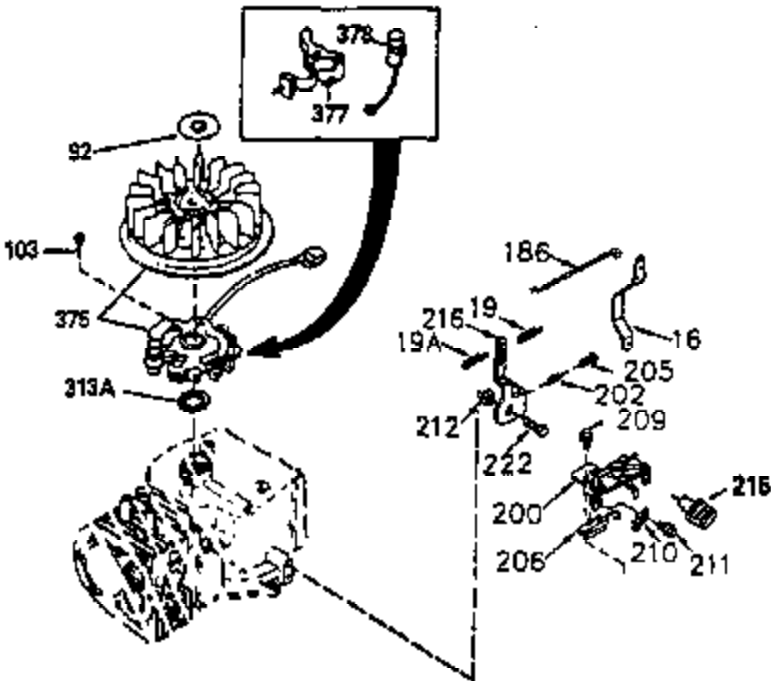
| Ref # | Part Number | Qty | Description |
|-------|-------------|-----|--|
| 30 | 36457 | 1 | Crankshaft |
| 40 | 34552 | 1 | Piston, Pin & Ring Set (Std.) |
| 40 | 34553 | 1 | Piston, Pin & Ring Set (.010" OS) |
| 40 | 34554 | 1 | Piston, Pin & Ring Set (.020" OS) |
| 41 | 34329A | 1 | Piston & Pin Ass'y. (Std.) (Incl. 43) |
| 41 | 34330A | 1 | Piston & Pin Ass'y. (.010" OS) (Incl. 43) |
| 41 | 34331A | 1 | Piston & Pin Ass'y. (.020" OS) (Incl. 43) |
| 42 | 34332 | 1 | Ring Set (Std.) |
| 42 | 34333 | 1 | Ring Set (.010" OS) |
| 42 | 34334 | 1 | Ring Set (.020" OS) |
| 43 | 27888 | 2 | Piston Pin Retaining Ring |
| 45 | 35373A | 1 | Connecting Rod Ass'y. (Incl. 46 & 47) |
| 46 | 650908 | 1 | Connecting Rod Bolt |
| 47 | 650882 | 1 | Connecting Rod Bolt |
| 48 | 34034 | 2 | Valve Lifter |
| 50 | 35381 | 1 | Camshaft (MCR) |
| 52 | 31356 | 1 | Oil Pump Ass'y. |
| 64 | 30063 | 1 | Screw, Torx T-30, 1/4-20 x 1/2" |
| 69 | 35262 | 1 | * Mounting Flange Gasket |
| 70 | 35382A | 1 | Mounting Flange (Incl. 72,75,80 & 81) |
| 72 | 31927 | 1 | Oil Drain Plug |
| 75 | 35319 | 1 | Oil Seal |
| 80 | 30668 | 1 | Governor Shaft |
| 81 | 30590A | 2 | Washer |
| 82 | 35378 | 1 | Governor Gear Ass'y. (Incl. 81) |
| 83 | 30588A | 1 | Governor Spool |
| 84 | 29193 | 2 | Retaining Ring |
| 86 | 650833 | 8 | Screw, 1/4-20 x 1-3/16" |
| 88 | 31707A | 1 | Spacer (Incl. 81) |
| 89 | 32589 | 1 | Flywheel Key |
| 123 | 33261 | 1 | Intake Pipe Brace |
| 124 | 650738 | 3 | Screw, 1/4-20 x 5/8" |
| 178 | 29752 | 2 | Nut & Lock Washer, 1/4-28 |
| 182 | 30088A | 2 | Screw, 1/4-28 x 1" |
| 184 | 33263 | 1 | * Carburetor To Intake Pipe Gasket |
| 185 | 34926 | 1 | Intake Pipe |
| 223 | 650378 | 2 | Screw, Torx T-30, 5/16-18 x 1-1/8" |
| 224 | 27915A | 1 | * Intake Pipe Gasket |
| 238 | 650834 | 2 | Screw, 10-32 x 1-17/32" |
| 239 | 33629 | 1 | * Air Cleaner Gasket |
| 240 | 35538B | 1 | Air Cleaner Body (Incl. 239) |
| 245 | 35403 | 1 | Air Cleaner Filter (Incl. 251A) |
| 250 | 35961 | 1 | Air Cleaner Cover |
| 251 | 650886 | 2 | Wing Nut, 1/4-20 |
| 251A | 650825 | 2 | Nut & Lock Washer, 1/4-20 |
| 290 | 30705 | 1 | Fuel Line |
| 292 | 26460 | 2 | Fuel Line Clamp |
| 305 | 35574 | 1 | Oil Fill Tube |
| 307 | 35499 | 1 | "O" Ring |
| 308 | 35437 | 1 | Fill Tube Clip |
| 310 | 35576 | 1 | Dipstick |
| 322A | 610824 | 1 | Connector Body |
| 380 | 632238 | 1 | Carburetor (Incl. 184) |
| 400 | 36450 | 1 | * Gasket Set (Incl. items marked PK in notes) Incl. part #'s 27272A (1), 27896A (2), 27915A (1), 29673 (1), 33263 (1), 33629 (1), 34698A (1), 35262 (1), 36448 (1) |
| 420 | 730225 | 1 | SAE 30 4-Cycle Engine Oil (Quart) |

VIEW 3 OF 4



| Ref # | Part Number | Qty | Description |
|-------|-------------|-----|--|
| 46 | 650908 | 1 | Connecting Rod Bolt |
| 64 | 30063 | 1 | Screw, Torx T-30, 1/4-20 x 1/2" |
| 251A | 650825 | 2 | Nut & Lock Washer, 1/4-20 |
| 277 | 650729 | 2 | Screw, 5/16-18 x 3-3/16" |
| 314 | 650873 | 2 | Screw, 1/4-20 x 3/4" |
| 315 | 611097 | 1 | Alternator Coil (7 Amp)(Incl. 322,322 A & 323) |
| 322A | 610824 | 1 | Connector Body |
| 322 | 610921 | 1 | Connector Body |
| 323 | 610922 | 1 | Terminal |

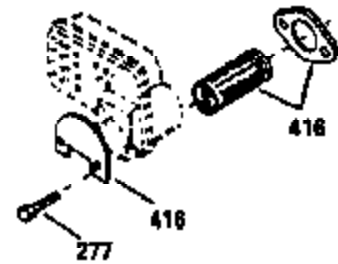
VIEW 4 OF 4
STANDARD POINT IGNITION



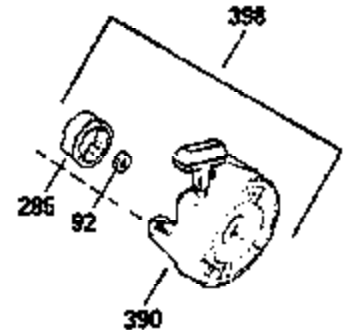
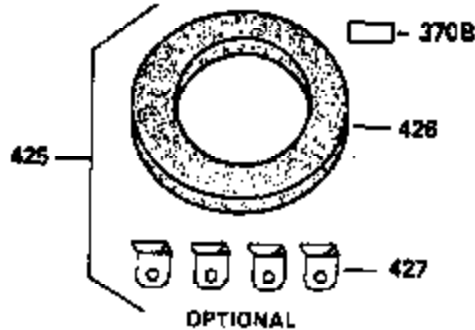
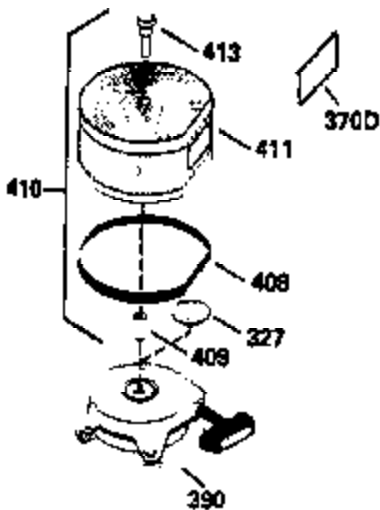
**MUFFLER (QUIET)
 (OPTIONAL)**



OPTIONAL SPARK ARRESTOR



**DEBRIS SCREEN KIT
 (OPTIONAL)**



| Ref # | Part Number | Qty | Description |
|-------|-------------|-----|---|
| 16 | 32651 | 1 | Governor Lever |
| 19A | 34043 | 1 | Extension Spring |
| 46 | 650908 | 1 | Connecting Rod Bolt |
| 64 | 30063 | 1 | Screw, Torx T-30, 1/4-20 x 1/2" |
| 92 | 650880 | 1 | Lock Washer |
| 93 | 650881 | 1 | Flywheel Nut |
| 103 | 650814 | 2 | Screw, Torx T-15, 10-24 x 1" |
| 186 | 33860 | 1 | Governor Link |
| 200 | 33948A | 1 | Control Bracket (Incl. 203 & 204) |
| 206 | 610973 | 1 | Terminal |
| 209 | 30200 | 2 | Screw, 10-24 x 9/16" |
| 215 | 32410 | 1 | Control Knob |
| 251A | 650825 | 2 | Nut & Lock Washer, 1/4-20 |
| 260 | 33635C | 1 | Blower Housing |
| 261 | 650788 | 2 | Screw, 5/16-18 x 3/4" |
| 262 | 29747B | 2 | Screw, Torx T-40, 5/16-24 x 21/32" |
| 277 | 650729 | 2 | Screw, 5/16-18 x 3-3/16" |
| 285 | 35985A | 1 | Starter Cup |
| 286 | 35446 | 1 | Starter Screen |
| 322A | 610824 | 1 | Connector Body |
| 327 | 35392 | 1 | Starter Plug |
| 370B | 35344 | 1 | Instruction Decal |
| 390 | 590671 | 1 | Rewind Starter (Note: This engine could have been built with 590704 starter. Refer to the design of the air intake louvers for part identification. Individual starter parts do not interchange.) |