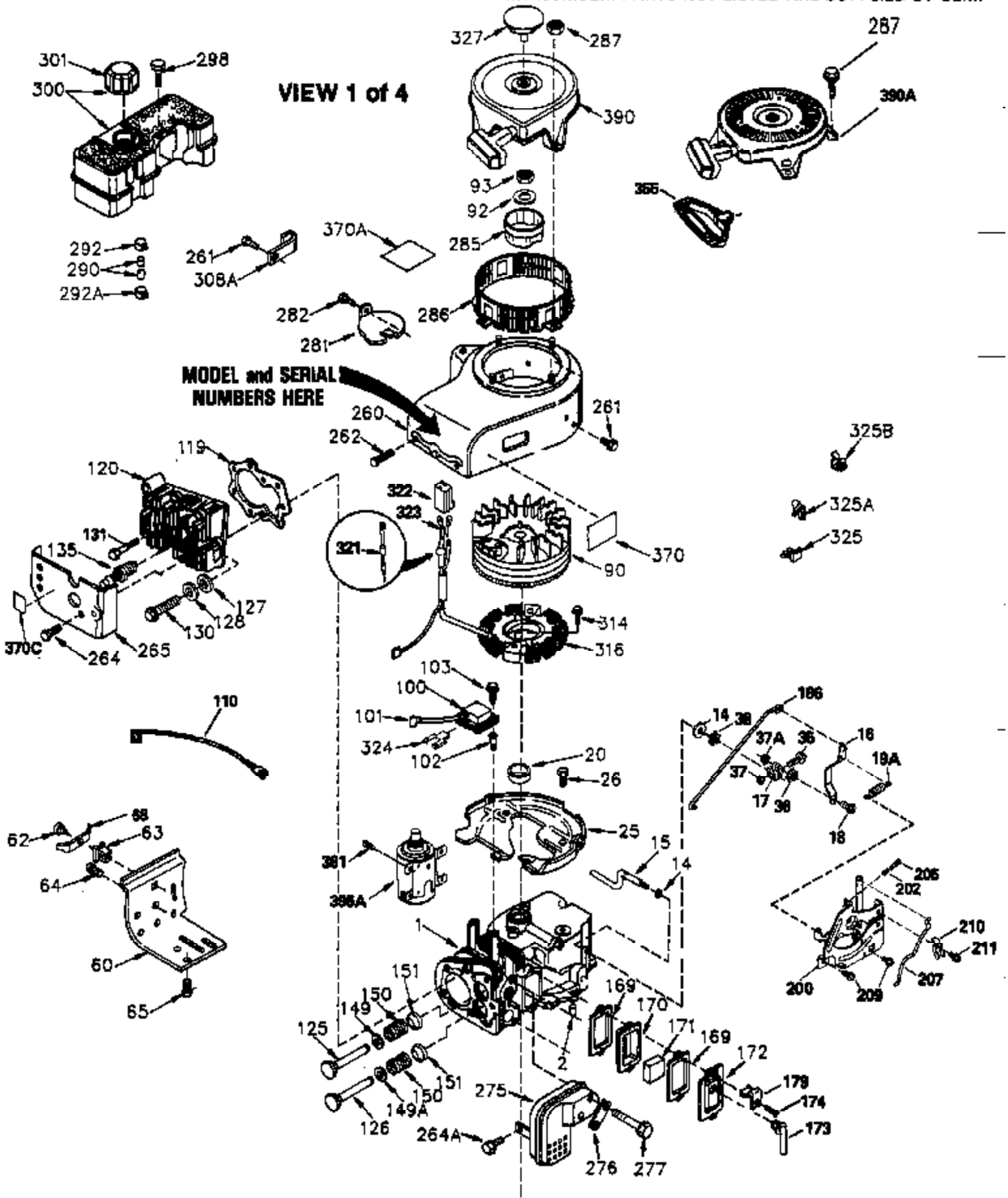


ILLUSTRATION SHOWS TYPICAL PARTS ONLY. ORDER BY PART NUMBER. PARTS NOT LISTED ARE SUPPLIED BY OEM.



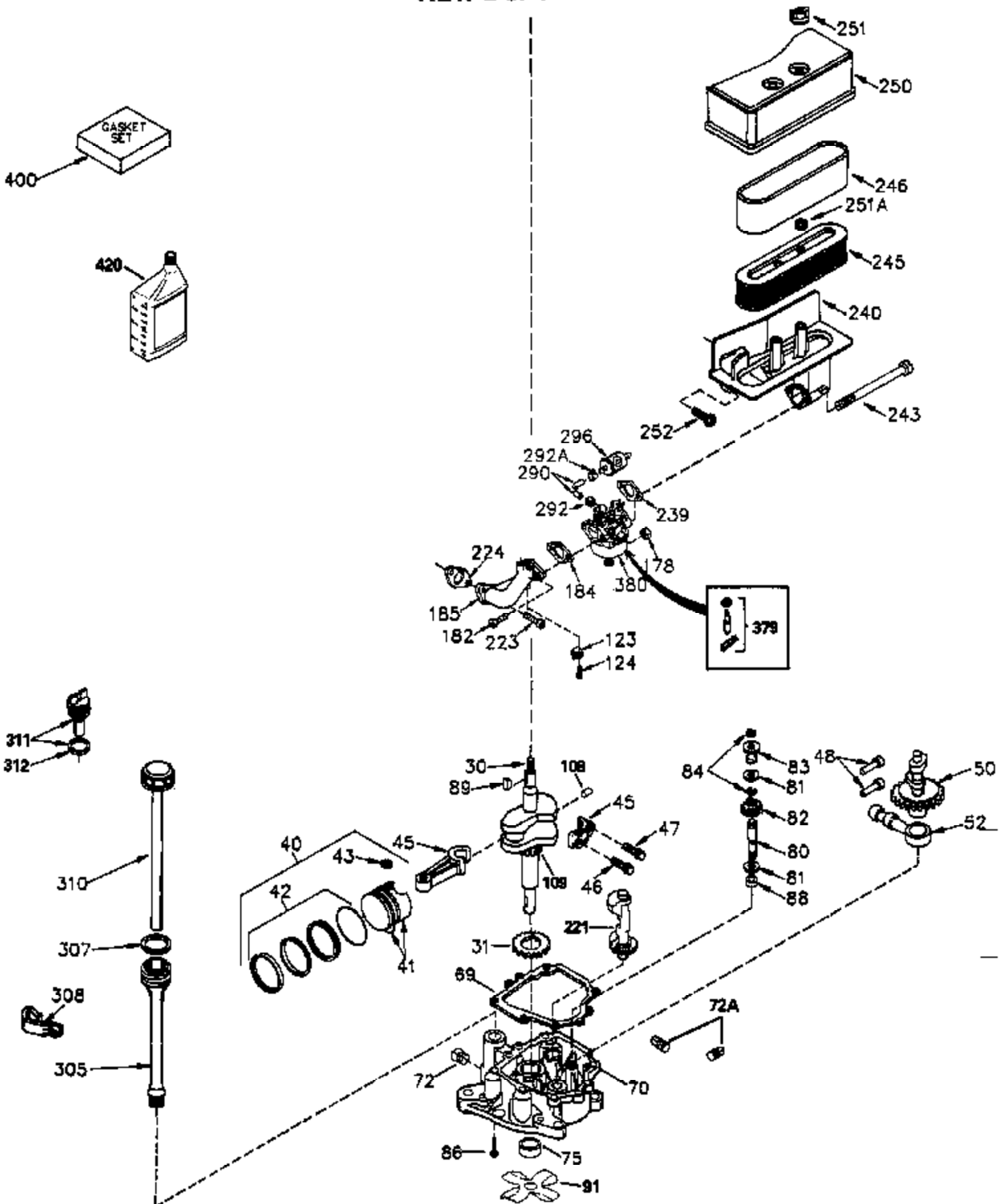
Engine Parts List #1

| Ref # | Part Number | Qty | Description |
|-------|-------------|-----|--|
| 1 | 35383A | | Cylinder (Incl. 2 & 20) (3-1/8" Bore) |
| 2 | 27652 | | Dowel Pin |
| 14 | 28277 | | Washer |
| 15 | 35082 | | Governor Rod |
| 16 | 32651 | | Governor Lever |
| 17 | 31335 | | Governor Lever Clamp |
| 18 | 650548 | | Screw, 8-32 x 5/16" |
| 19A | 35203 | | Extension Spring |
| 20 | 35319 | | Oil Seal |
| 25 | 35326 | | Blower Housing Baffle |
| 26 | 650561 | | Screw, 1/4-20 x 5/8" |
| 60 | 33273A | | Blower Housing Extension |
| 64 | 30063 | | Screw, Torx T-30, 1/4-20 x 1/2" |
| 65 | 650128 | | Screw, 10-24 x 1/2" |
| 90 | 611093 | | Flywheel (3 amp w/ring gear) |
| 92 | 650880 | | Lock Washer |
| 93 | 650881 | | Flywheel Nut, 5/8-18 |
| 100 | 35135 | | Solid State Ignition |
| 101 | 610118 | | Spark Plug Cover (use as required) |
| 102 | 650872 | | Solid State Mounting Stud |
| 103 | 650814 | | Screw, Torx T-15, 10-24 x 1" |
| 110 | 35182 | | Ground Wire |
| 119 | 34041A | | * Cylinder Head Gasket |
| 120 | 34030A | | Cylinder Head |
| 125 | 27878A | | Exhaust Valve (Std.) (Incl. 151) |
| 125 | 27880A | | Exhaust Valve (1/32" OS) (Incl. 151) |
| 126 | 34035 | | Intake Valve (Std.) (Incl. 151) |
| 126 | 34036 | | Intake Valve (1/32" OS) (Incl. 151) |
| 127 | 650691 | | Washer (Do not use with 6021A screw) |
| 128 | 650690 | | Belleville Washer |
| 130 | 650694A | | Screw, 5/16-18 x 2" |
| 131 | 6021A | | Screw, 5/16-18 x 1-1/2" (Do not use w /650691) |
| 135 | 33636 | | Resistor Spark Plug (RJ17LM) |
| 149 | 27882 | | Valve Spring Cap (Exhaust) |
| 149A | 35862 | | Valve Spring Cap (Intake) |
| 150 | 27881 | | Valve Spring |
| 151 | 32581 | | Valve Spring Keeper |
| 169 | 27896A | | * Valve Cover Gasket |
| 170 | 28423 | | Breather Body |
| 171 | 28424 | | Breather Element |
| 172 | 28425 | | Valve Cover |
| 173 | 35350 | | Breather Tube |
| 174 | 650128 | | Screw, 10-24 x 1/2" |
| 186 | 33860 | | Governor Link |
| 200 | 35201 | | Control Bracket |
| 209 | 30200 | | Screw, 10-24 x 9/16" |
| 210 | 27793 | | Conduit Clip |
| 211 | 28942 | | Screw, 10-32 x 3/8" |
| 238 | 650834 | | Screw, 10-32 x 1-17/32" |
| 245A | 35404 | | Air Cleaner Filter |
| 260 | 33635C | | Blower Housing (For electric starter) NOTE: Replacement hardware may differ when servicing starter assy. or blower housing. Refer to Service Bulletin 508. |
| 261 | 650788 | | Screw, 5/16-18 x 3/4" |
| 262 | 29747B | | Screw, Torx T-40, 5/16-24 x 21/32" |
| 264A | 650738 | | Screw, 1/4-20 x 5/8" |
| 264 | 650802 | | Screw, 1/4-20 x 5/8" |

| Ref # | Part Number | Qty | Description |
|-------|-------------|-----|--|
| 265 | 33272B | | Cylinder Head Cover |
| 275 | 35085 | | Muffler |
| 276 | 31588 | | Locking Plate |
| 277 | 650729 | | Screw, 5/16-18 x 3-3/16" |
| 285 | 35287A | | Starter Cup |
| 286 | 35446 | | Starter Screen |
| 287 | 29752 | | Nut & Lock Washer, 1/4-28 |
| 290 | 30705 | | Fuel Line (braided 16") (40cm) |
| 292 | 26460 | | Fuel Line Clamp |
| 298 | 28763 | | Screw, 10-32 x 35/64" |
| 300 | 33583B | | Fuel Tank (Incl. 292, 298 & 301) |
| 301 | 35355 | | Fuel Cap NOTE: This tank was built with different size fuel inlet openings. Tanks with the 1-1/2" I.D. opening use fuel cap 33032. Tanks with the 1-3/4" I.D. opening use fuel cap 35355. |
| 314 | 650873 | | Screw, 1/4-20 x 3/4" |
| 315 | 611113 | | Alt. Coil (3 Amp DC) (Incl. 321, 322 & 323) |
| 321 | 611161 | | Diode |
| 322 | 610921 | | Connector Body |
| 323 | 610922 | | Terminal |
| 324 | 33177 | | Terminal |
| 325 | 29443 | | Wire Clip |
| 325B | 27275 | | Wire Clip |
| 327 | 35392 | | Starter Plug |
| 361 | 30063 | | Screw, Torx T-30, 1/4-20 x 1/2" |
| 370 | 34346 | | Instruction Decal |
| 370A | 34686 | | Name Decal |
| 370C | 35274 | | Instruction Decal |
| 390 | 590633 | | Rewind Starter NOTE: Replacement hardware may differ when servicing starter assy. or blower housing. Refer to Service Bulletin 508. (Refer to Division 5, Section C, page 30 for breakdown or Fiche 10B, Grid G-1) |
| 395A | 35763A | | Starter Motor (12 Volt) NOTE: Engine requires a ringgear flywheel (611091 minimum) and the cylinder must have drilled and tapped starter mounting bosses to add the electric starter. (Refer to Division 5, Section D, page 30 for breakdown or Fiche 10B, Grid G-4) |
| 398 | 590685 | | Rewind Starter & Cup Ass'y. (This assembly replaces 590633 starter. This assembly consists of a 590671 rewind starter and a 35965A starter cup.) |

ILLUSTRATION SHOWS TYPICAL PARTS ONLY. ORDER BY PART NUMBER. PARTS NOT LISTED ARE SUPPLIED BY OEM.

VIEW 2 of 4

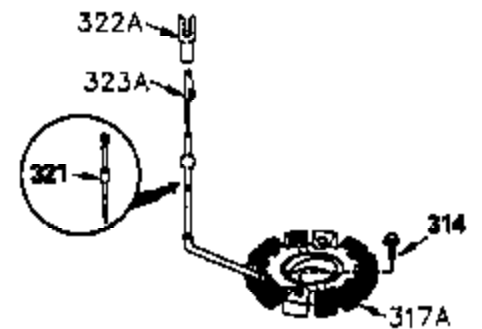
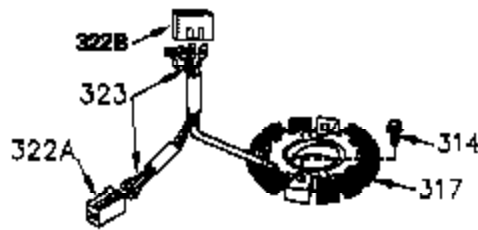
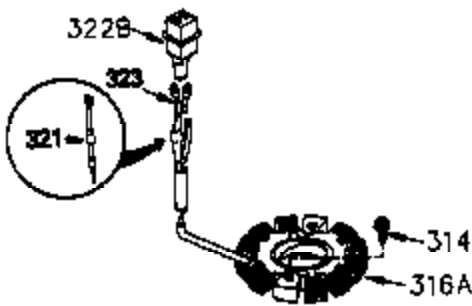
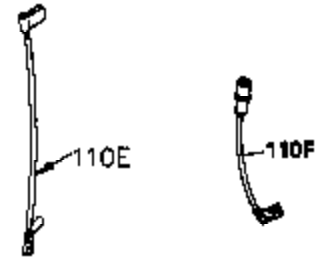
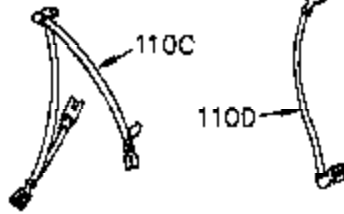
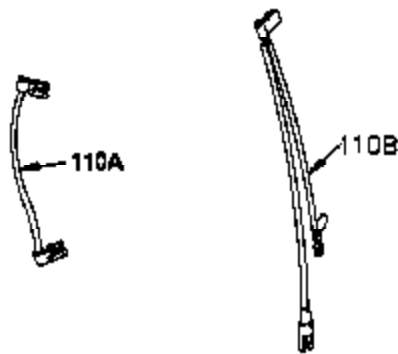
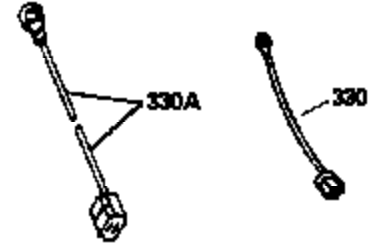
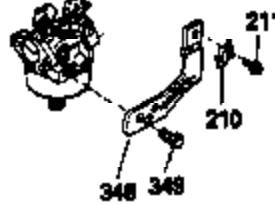
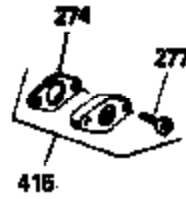
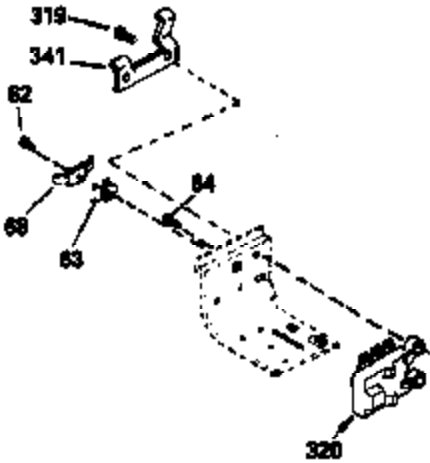


| Ref # | Part Number | Qty | Description |
|-------|-------------|-----|---|
| 30 | 35380A | | Crankshaft |
| 40 | 34552 | | Piston, Pin & Ring Set (Std.) (3-1/8") |
| 40 | 34553 | | Piston, Pin & Ring Set (.010" OS) |
| 40 | 34554 | | Piston, Pin & Ring Set (.020" OS) |
| 41 | 34329A | | Piston & Pin Ass'y. (Std.) (Incl. 43) |
| 41 | 34330A | | Piston & Pin Ass'y. (.010" OS) (Incl. 43) |
| 41 | 34331A | | Piston & Pin Ass'y. (.020" OS) (Incl. 43) |
| 42 | 34332 | | Ring Set (Std.) |
| 42 | 34333 | | Ring Set (.010" OS) |
| 42 | 34334 | | Ring Set (.020" OS) |
| 43 | 27888 | | Piston Pin Retaining Ring |
| 45 | 35373A | | Connecting Rod (Incl. 46 & 47) |
| 46 | 650908 | | Connecting Rod Bolt |
| 47 | 650882 | | Connecting Rod Bolt |
| 48 | 34034 | | Valve Lifter |
| 50 | 35381 | | Camshaft (MCR) |
| 52 | 31356 | | Oil Pump |
| 69 | 35262 | | * Mounting Flange Gasket |
| 70 | 35382A | | Mounting Flange (Incl. 72, 75, 80 & 8 1) |
| 72 | 31927 | | Oil Drain Plug |
| 75 | 35319 | | Oil Seal |
| 80 | 30668 | | Governor Shaft |
| 81 | 30590A | | Washer |
| 82 | 35378 | | Governor Gear (Incl. 81) |
| 83 | 30588A | | Governor Spool |
| 84 | 29193 | | Retaining Ring |
| 86 | 650833 | | Screw, 1/4-20 x 1-3/16" |
| 88 | 31707A | | Spacer (Incl. 81) |
| 89 | 32589 | | Flywheel Key |
| 123 | 33261 | | Intake pipe Brace |
| 124 | 650738 | | Screw, 1/4-20 x 5/8" |
| 178 | 29752 | | Nut & Lock Washer, 1/4-28 |
| 182 | 30088A | | Screw, 1/4-28 x 1" |
| 184 | 33263 | | * Carburetor To Intake Pipe Gasket |
| 185 | 34926 | | Intake Pipe |
| 223 | 650378 | | Screw, Torx T-30, 5/16-18 x 1-1/8" |
| 224 | 27915A | | * Intake Pipe Gasket |
| 238 | 650834 | | Screw, 10-32 x 1-17/32" |
| 240 | 35538B | | Air Cleaner Body (Incl. 239) |
| 245 | 35403 | | Air Cleaner Filter (Incl. 251) |
| 245A | 35404 | | Air Cleaner Filter |
| 250 | 35405 | | Air Cleaner Cover |
| 251 | 650886 | | Wing Nut, 1/4-20 |
| 251A | 650825 | | Nut & Lock Washer, 1/4-20 |
| 252 | 650887 | | Screw, 1/4-20 x 1" |
| 290 | 30705 | | Fuel Line (braided 16") (40cm) |
| 292 | 26460 | | Fuel Line Clamp |
| 305 | 35574 | | Oil Tube |
| 307 | 35499 | | "O" Ring |
| 308 | 35437 | | Fill Tube Clip |
| 310 | 35576 | | Dipstick |
| 315 | 611113 | | Alt. Coil (3 Amp DC) (Incl. 321, 322 & 323) |
| 379 | 631021 | | Inlet Needle, Seat & Clip Ass'y. |
| 380 | 632237 | | Carburetor (Incl. 184) (Refer to Division 5, Section A, page A3-4 for breakdown or Fiche 10B, Grid E-3) |

| Ref # | Part Number | Qty | Description |
|-------|-------------|-----|--|
| 398 | 590685 | | Rewind Starter & Cup Ass'y. (This assembly replaces 590633 starter. This assembly consists of a 590671 rewind starter and a 35965A starter cup.) |
| 400 | 33279G | | * Gasket Set (Incl. items marked *) |
| 420 | 730225 | | SAE 30 4-Cycle Engine Oil (Quart) |

ILLUSTRATION SHOWS TYPICAL PARTS ONLY. ORDER BY PART NUMBER. PARTS NOT LISTED ARE SUPPLIED BY OEM.

VIEW 3 of 4

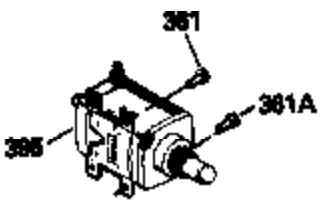
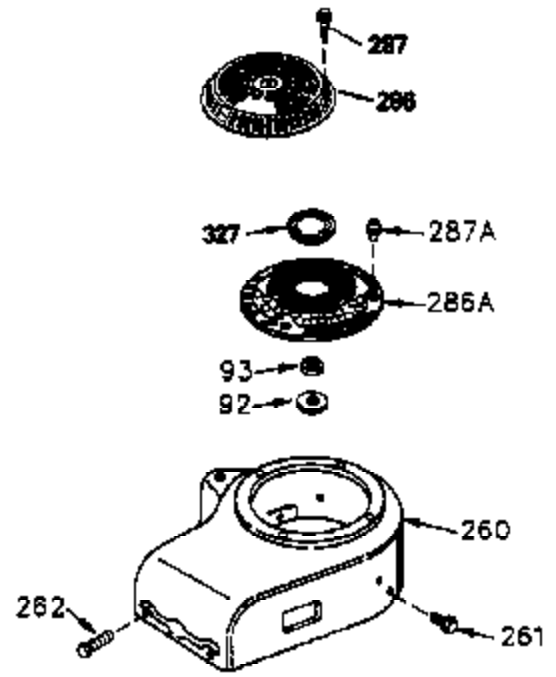
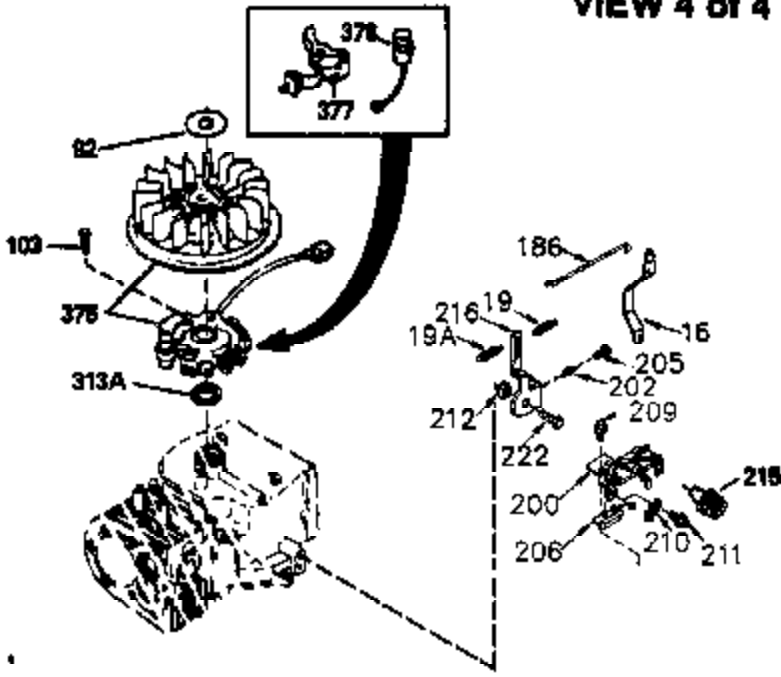


| Ref # | Part Number | Qty | Description |
|-------|-------------|-----|--|
| 64 | 30063 | | Screw, Torx T-30, 1/4-20 x 1/2" |
| 210 | 27793 | | Conduit Clip |
| 211 | 28942 | | Screw, 10-32 x 3/8" |
| 238 | 650834 | | Screw, 10-32 x 1-17/32" |
| 245A | 35404 | | Air Cleaner Filter |
| 274 | 35865 | | Exhaust Gasket (use as required) |
| 277 | 650729 | | Screw, 5/16-18 x 3-3/16" |
| 314 | 650873 | | Screw, 1/4-20 x 3/4" |
| 315 | 611113 | | Alt. Coil (3 Amp DC) (Incl. 321, 322 & 323) |
| 321 | 611161 | | Diode |
| 323 | 610922 | | Terminal |
| 398 | 590685 | | Rewind Starter & Cup Ass'y. (This assembly replaces 590633 starter. This assembly consists of a 590671 rewind starter and a 35965A starter cup.) |
| 415 | 730130 | | Exh.Adapter Kit(Incl.274 & 277)(As Re q.) |

ILLUSTRATION SHOWS TYPICAL PARTS ONLY. ORDER BY PART NUMBER. PARTS NOT LISTED ARE SUPPLIED BY OEM.

STANDARD POINT IGNITION

VIEW 4 of 4



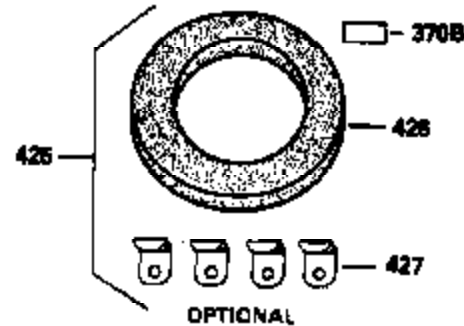
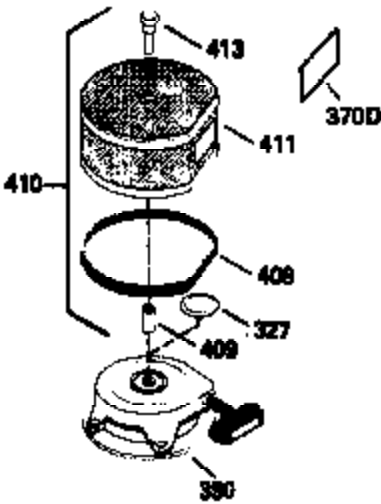
MUFFLER (QUIET) (OPTIONAL)



OPTIONAL SPARK ARRESTOR



DEBRIS SCREEN KIT (OPTIONAL)



| Ref # | Part Number | Qty | Description |
|-------|-------------|-----|--|
| | 16 32651 | | Governor Lever |
| | 19A 35203 | | Extension Spring |
| | 19 34043 | | Extension Spring |
| | 92 650880 | | Lock Washer |
| | 93 650881 | | Flywheel Nut, 5/8-18 |
| | 103 650814 | | Screw, Torx T-15, 10-24 x 1" |
| | 186 33860 | | Governor Link |
| | 200 35201 | | Control Bracket |
| | 206 610973 | | Terminal |
| | 209 30200 | | Screw, 10-24 x 9/16" |
| | 210 27793 | | Conduit Clip |
| | 211 28942 | | Screw, 10-32 x 3/8" |
| | 212 35550 | | Bushing |
| | 216 35202A | | R.P.M. Adj.Lever (Incl.19,19A,212,222 ,239) |
| | 222 30312 | | Screw, 10-32 x 1/2" |
| | 238 650834 | | Screw, 10-32 x 1-17/32" |
| | 245A 35404 | | Air Cleaner Filter |
| | 260 33635C | | Blower Housing (For electric starter) NOTE: Replacement hardware may differ when servicing starter assy. or blower housing. Refer to Service Bulletin 508. |
| | 261 650788 | | Screw, 5/16-18 x 3/4" |
| | 262 29747B | | Screw, Torx T-40, 5/16-24 x 21/32" |
| | 275C 35824 | | Muffler (quiet) (optional) |
| | 277 650729 | | Screw, 5/16-18 x 3-3/16" |
| | 286 35446 | | Starter Screen |
| | 287A | | Pop Rivet (can be purchased locally) |
| | 287 29752 | | Nut & Lock Washer, 1/4-28 |
| | 315 611113 | | Alt. Coil (3 Amp DC) (Incl. 321, 322 & 323) |
| | 327 35392 | | Starter Plug |
| | 361 30063 | | Screw, Torx T-30, 1/4-20 x 1/2" |
| | 390 590633 | | Rewind Starter NOTE: Replacement hardware may differ when servicing starter assy. or blower housing. Refer to Service Bulletin 508. (Refer to Division 5, Section C, page 30 for breakdown or Fiche 10B, Grid G-1) |
| | 398 590685 | | Rewind Starter & Cup Ass'y. (This assembly replaces 590633 starter. This assembly consists of a 590671 rewind starter and a 35965A starter cup.) |
| | 408 35570 | | Screen Seal (Optional) |
| | 409 35569 | | Spacer (Optional) |
| | 410 730573 | | Opt.Screen Kit (Incl.370D,408,409,411 ,413) |
| | 411 35568 | | Debris Screen (Optional) |
| | 413 650907 | | Screw, 5/16-18 x 1-5/8" (Optional) |
| | 416 34479A | | Spark Arrestor Kit |
| | 425 730572 | | Starter Muff Kit (Incl.370,426,427)(O pt.) |
| | 426 34687 | | Starter Air Cleaner (Optional) |
| | 427 34869 | | Starter Air Cleaner Bracket (Optional) |