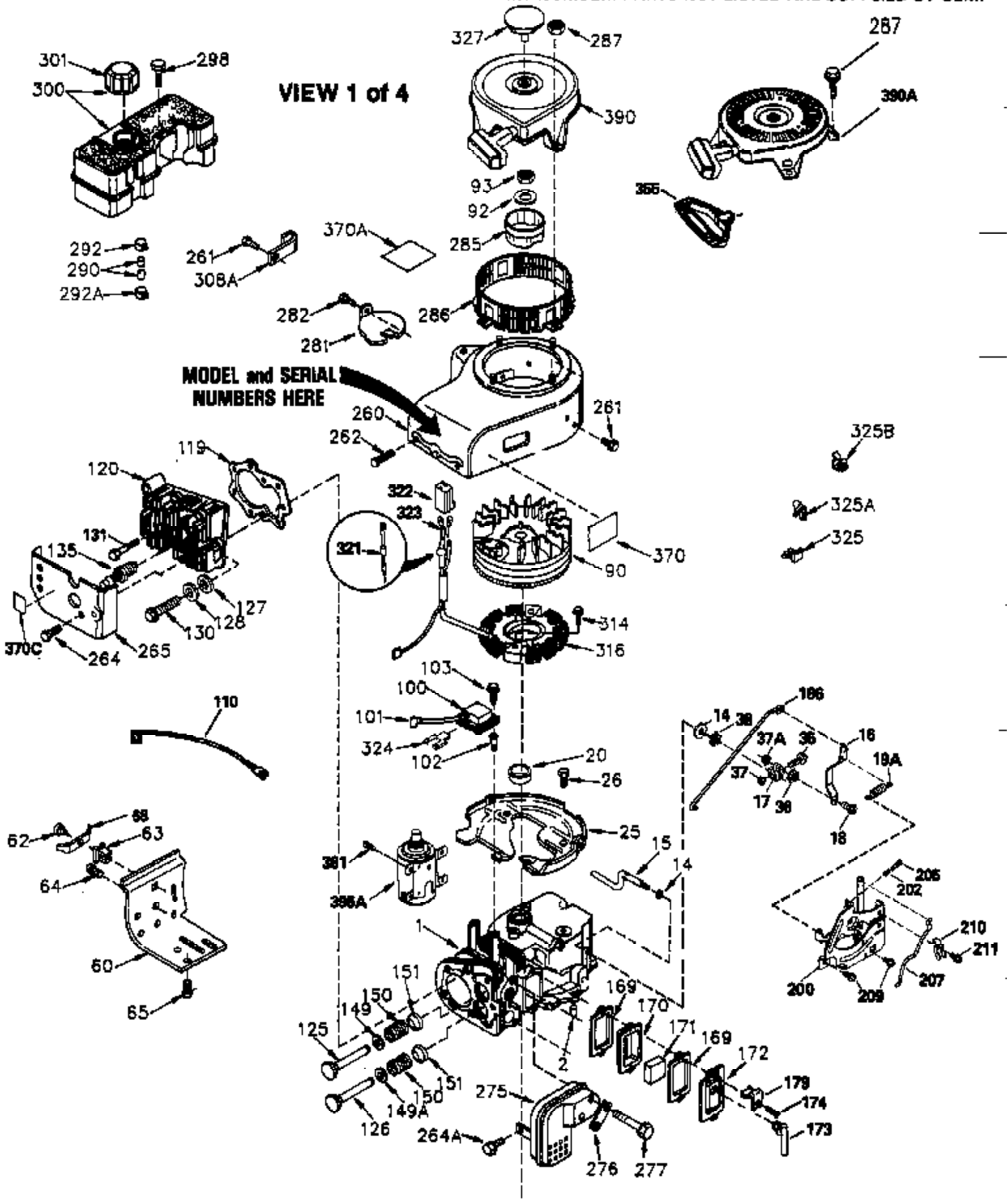


ILLUSTRATION SHOWS TYPICAL PARTS ONLY. ORDER BY PART NUMBER. PARTS NOT LISTED ARE SUPPLIED BY OEM.

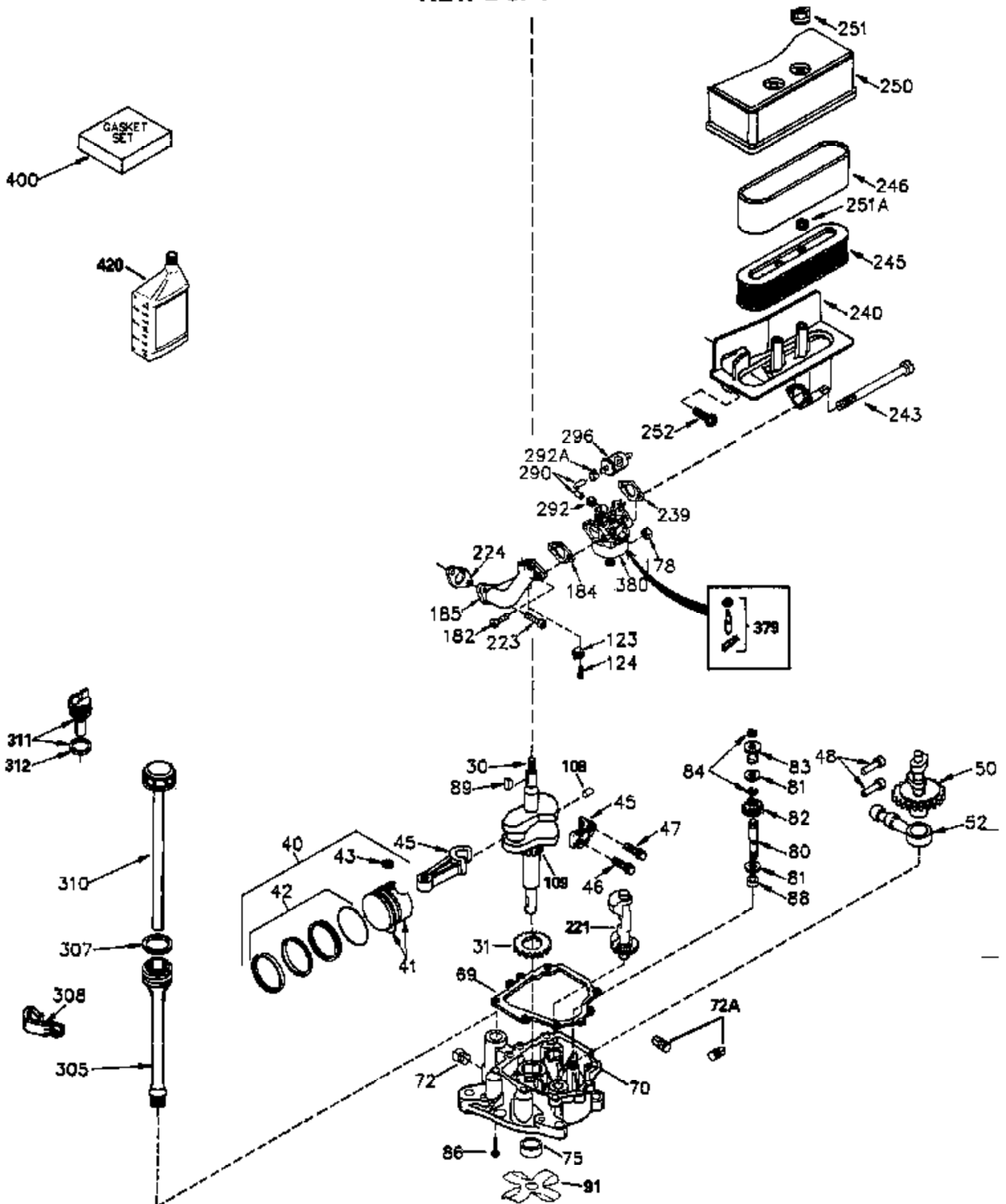


| Ref # | Part Number | Qty | Description |
|-------|-------------|-----|--|
| | 1 35745 | | Cylinder (Incl. 2 & 20) (3-1/8" Bore) |
| | 2 27652 | | Dowel Pin |
| | 14 28277 | | Washer |
| | 15 35082 | | Governor Rod |
| | 16 32651 | | Governor Lever |
| | 17 31335 | | Governor Lever Clamp |
| | 18 650548 | | Screw, 8-32 x 5/16" |
| | 19A 35203 | | Extension Spring |
| | 20 35319 | | Oil Seal |
| | 25 35326 | | Blower Housing Baffle |
| | 26 650561 | | Screw, 1/4-20 x 5/8" |
| | 51 35747A | | Counterbalance Weight |
| | 60 33273A | | Blower Housing Extension |
| | 62 650760 | | Screw, 8-32 x 3/8" |
| | 63 28545 | | Grommet |
| | 64 30063 | | Screw, Torx T-30, 1/4-20 x 1/2" |
| | 65 650128 | | Screw, 10-24 x 1/2" |
| | 68 33356 | | Ground Terminal |
| | 90 611094 | | Flywheel (7 amp w/ring gear) |
| | 92 650880 | | Lock Washer |
| | 93 650881 | | Flywheel Nut, 5/8-18 |
| | 100 35135 | | Solid State Ignition |
| | 101 610118 | | Spark Plug Cover (use as required) |
| | 102 650872 | | Solid State Mounting Stud |
| | 103 650814 | | Screw, Torx T-15, 10-24 x 1" |
| | 110 35182 | | Ground Wire |
| | 119 34041A | | * Cylinder Head Gasket |
| | 120 34030A | | Cylinder Head |
| | 125 27878A | | Exhaust Valve (Std.) (Incl. 151) |
| | 125 27880A | | Exhaust Valve (1/32" OS) (Incl. 151) |
| | 126 34035 | | Intake Valve (Std.) (Incl. 151) |
| | 126 34036 | | Intake Valve (1/32" OS) (Incl. 151) |
| | 127 650691 | | Washer (Do not use with 6021A screw) |
| | 128 650690 | | Belleville Washer |
| | 130 650694A | | Screw, 5/16-18 x 2" |
| | 131 6021A | | Screw, 5/16-18 x 1-1/2" (Do not use w /650691) |
| | 135 33636 | | Resistor Spark Plug (RJ17LM) |
| | 149 27882 | | Valve Spring Cap (Exhaust) |
| | 149A 35862 | | Valve Spring Cap (Intake) |
| | 150 27881 | | Valve Spring |
| | 151 32581 | | Valve Spring Keeper |
| | 169 27896A | | * Valve Cover Gasket |
| | 170 28423 | | Breather Body |
| | 171 28424 | | Breather Element |
| | 172 28425 | | Valve Cover |
| | 173 35350 | | Breather Tube |
| | 174 650128 | | Screw, 10-24 x 1/2" |
| | 186 33860 | | Governor Link |
| | 200 35201 | | Control Bracket |
| | 202 33802 | | Compression Spring |
| | 205 650777 | | Screw, 6-32 x 21/32" |
| | 209 30200 | | Screw, 10-24 x 9/16" |
| | 210 27793 | | Conduit Clip |
| | 211 28942 | | Screw, 10-32 x 3/8" |
| | 238 650834 | | Screw, 10-32 x 1-17/32" |
| | 245A 35404 | | Air Cleaner Filter |

| Ref # | Part Number | Qty | Description |
|-------|-------------|-----|--|
| 260 | 33635C | | Blower Housing (For electric starter) NOTE: Replacement hardware may differ when servicing starter assy. or blower housing. Refer to Service Bulletin 508. |
| 261 | 650788 | | Screw, 5/16-18 x 3/4" |
| 262 | 29747B | | Screw, Torx T-40, 5/16-24 x 21/32" |
| 264A | 650738 | | Screw, 1/4-20 x 5/8" |
| 264 | 650802 | | Screw, 1/4-20 x 5/8" |
| 265 | 33272B | | Cylinder Head Cover |
| 275 | 34185A | | Muffler |
| 276 | 31588 | | Locking Plate |
| 277 | 650729 | | Screw, 5/16-18 x 3-3/16" |
| 285 | 35287A | | Starter Cup |
| 286 | 35446 | | Starter Screen |
| 287 | 29752 | | Nut & Lock Washer, 1/4-28 |
| 290 | 30705 | | Fuel Line (braided 16") (40cm) |
| 292 | 26460 | | Fuel Line Clamp |
| 298 | 28763 | | Screw, 10-32 x 35/64" |
| 300 | 33583B | | Fuel Tank (Incl. 292, 298 & 301) |
| 301 | 35355 | | Fuel Cap NOTE: This tank was built with different size fuel inlet openings. Tanks with the 1-1/2" I.D. opening use fuel cap 33032. Tanks with the 1-3/4" I.D. opening use fuel cap 35355. |
| 314 | 650873 | | Screw, 1/4-20 x 3/4" |
| 315 | 611104 | | Alt. Coil (3/5 Split) (Incl.321, 322 & 323) |
| 321 | 611161 | | Diode |
| 322 | 611142 | | Connector Body |
| 323 | 611118 | | Terminal |
| 324 | 33177 | | Terminal |
| 325 | 29443 | | Wire Clip |
| 325A | 34246 | | Wire Clip |
| 327 | 35392 | | Starter Plug |
| 361 | 30063 | | Screw, Torx T-30, 1/4-20 x 1/2" |
| 370 | 34346 | | Instruction Decal |
| 370A | 34686 | | Name Decal |
| 370C | 35274 | | Instruction Decal |
| 390 | 590633 | | Rewind Starter NOTE: Replacement hardware may differ when servicing starter assy. or blower housing. Refer to Service Bulletin 508. (Refer to Division 5, Section C, page 30 for breakdown or Fiche 10B, Grid G-1) |
| 398 | 590685 | | Rewind Starter & Cup Ass'y. (This assembly replaces 590633 starter. This assembly consists of a 590671 rewind starter and a 35965A starter cup.) |

ILLUSTRATION SHOWS TYPICAL PARTS ONLY. ORDER BY PART NUMBER. PARTS NOT LISTED ARE SUPPLIED BY OEM.

VIEW 2 of 4

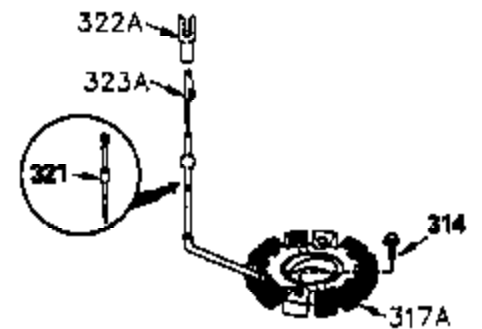
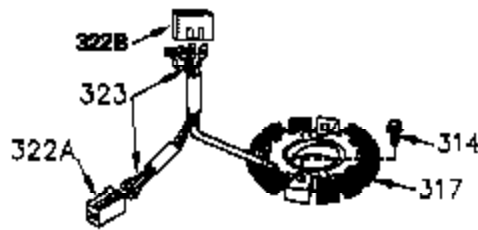
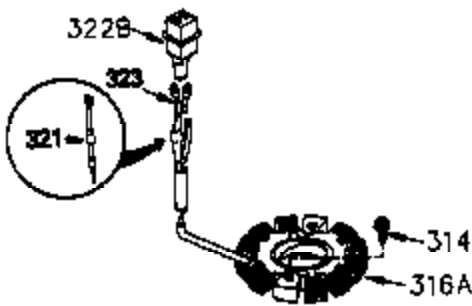
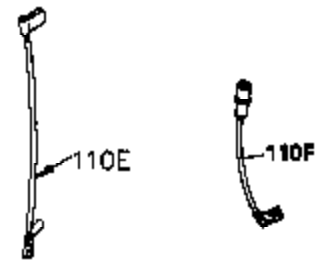
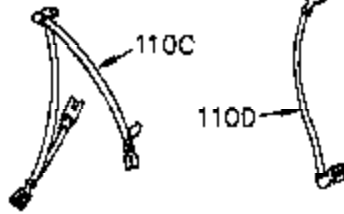
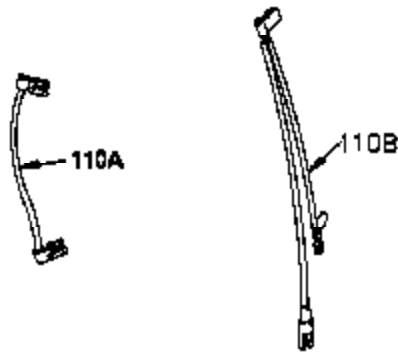
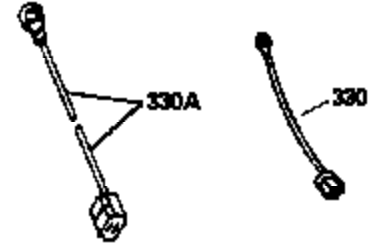
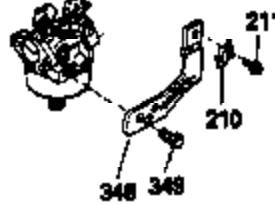
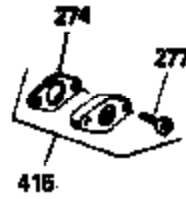
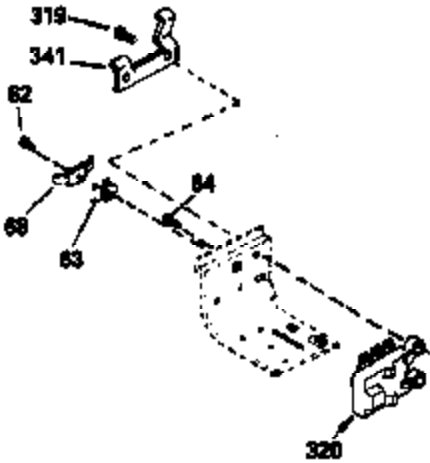


| Ref # | Part Number | Qty | Description |
|-------|-------------|-----|---|
| 30 | 35380A | | Crankshaft |
| 30 | 35802A | | Crankshaft |
| 31 | 35327 | | Counterbalance Gear |
| 40 | 34552 | | Piston, Pin & Ring Set (Std.) (3-1/8") |
| 40 | 34553 | | Piston, Pin & Ring Set (.010" OS) |
| 40 | 34554 | | Piston, Pin & Ring Set (.020" OS) |
| 41 | 34329A | | Piston & Pin Ass'y. (Std.) (Incl. 43) |
| 41 | 34330A | | Piston & Pin Ass'y. (.010" OS) (Incl. 43) |
| 41 | 34331A | | Piston & Pin Ass'y. (.020" OS) (Incl. 43) |
| 42 | 34332 | | Ring Set (Std.) |
| 42 | 34333 | | Ring Set (.010" OS) |
| 42 | 34334 | | Ring Set (.020" OS) |
| 43 | 27888 | | Piston Pin Retaining Ring |
| 45 | 35373A | | Connecting Rod (Incl. 46 & 47) |
| 46 | 650908 | | Connecting Rod Bolt |
| 47 | 650882 | | Connecting Rod Bolt |
| 48 | 34034 | | Valve Lifter |
| 50 | 35381 | | Camshaft (MCR) |
| 51 | 35747A | | Counterbalance Weight |
| 52 | 31356 | | Oil Pump |
| 69 | 35317 | | * Mounting Flange Gasket |
| 70 | 35318A | | Mounting Flange (Incl. 72, 75, 80 & 8 1) |
| 72 | 31927 | | Oil Drain Plug |
| 75 | 35319 | | Oil Seal |
| 80 | 30668 | | Governor Shaft |
| 81 | 30590A | | Washer |
| 82 | 35378 | | Governor Gear (Incl. 81) |
| 83 | 30588A | | Governor Spool |
| 84 | 29193 | | Retaining Ring |
| 86 | 650833 | | Screw, 1/4-20 x 1-3/16" |
| 88 | 31707A | | Spacer (Incl. 81) |
| 89 | 32589 | | Flywheel Key |
| 123 | 33261 | | Intake pipe Brace |
| 124 | 650738 | | Screw, 1/4-20 x 5/8" |
| 178 | 29752 | | Nut & Lock Washer, 1/4-28 |
| 182 | 30088A | | Screw, 1/4-28 x 1" |
| 184 | 33263 | | * Carburetor To Intake Pipe Gasket |
| 185 | 34926 | | Intake Pipe |
| 223 | 650378 | | Screw, Torx T-30, 5/16-18 x 1-1/8" |
| 224 | 27915A | | * Intake Pipe Gasket |
| 238 | 650834 | | Screw, 10-32 x 1-17/32" |
| 240 | 35538B | | Air Cleaner Body (Incl. 239) |
| 245 | 35403 | | Air Cleaner Filter (Incl. 251) |
| 245A | 35404 | | Air Cleaner Filter |
| 250 | 35405 | | Air Cleaner Cover |
| 251 | 650886 | | Wing Nut, 1/4-20 |
| 251A | 650825 | | Nut & Lock Washer, 1/4-20 |
| 252 | 650887 | | Screw, 1/4-20 x 1" |
| 290 | 30705 | | Fuel Line (braided 16") (40cm) |
| 292 | 26460 | | Fuel Line Clamp |
| 305 | 35574 | | Oil Tube |
| 307 | 35499 | | "O" Ring |
| 308 | 35437 | | Fill Tube Clip |
| 310 | 35576 | | Dipstick |
| 315 | 611104 | | Alt. Coil (3/5 Split) (Incl.321, 322 & 323) |
| 379 | 631021 | | Inlet Needle, Seat & Clip Ass'y. |

| Ref # | Part Number | Qty | Description |
|-------|-------------|-----|--|
| 380 | 632237 | | Carburetor (Incl. 184) (Refer to Division 5, Section A, page A3-4 for breakdown or Fiche 10B, Grid E-3) |
| 398 | 590685 | | Rewind Starter & Cup Ass'y. (This assembly replaces 590633 starter. This assembly consists of a 590671 rewind starter and a 35965A starter cup.) |
| 400 | 33279G | | * Gasket Set (Incl. items marked *) |
| 420 | 730225 | | SAE 30 4-Cycle Engine Oil (Quart) |

ILLUSTRATION SHOWS TYPICAL PARTS ONLY. ORDER BY PART NUMBER. PARTS NOT LISTED ARE SUPPLIED BY OEM.

VIEW 3 of 4

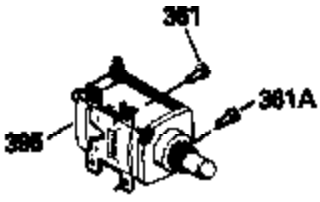
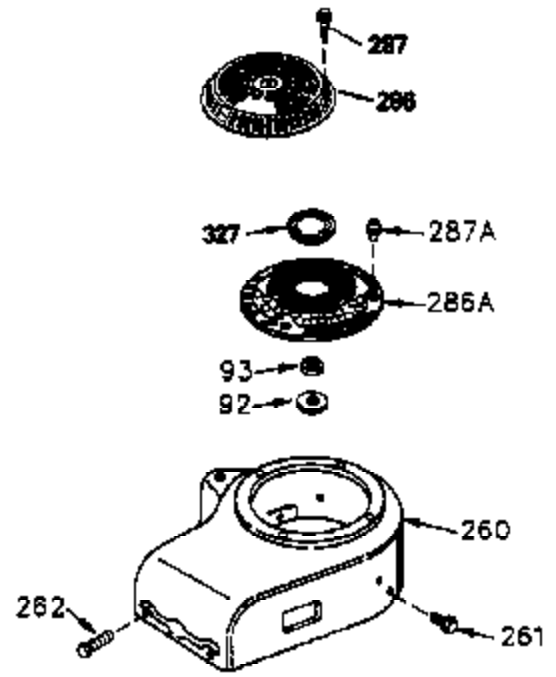
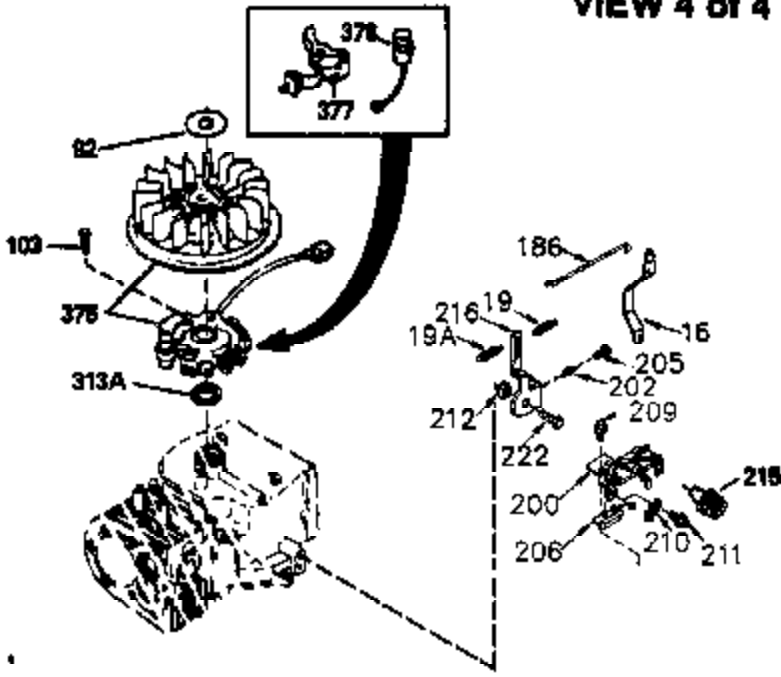


| Ref # | Part Number | Qty | Description |
|-------|-------------|-----|--|
| 51 | 35747A | | Counterbalance Weight |
| 62 | 650760 | | Screw, 8-32 x 3/8" |
| 63 | 28545 | | Grommet |
| 64 | 30063 | | Screw, Torx T-30, 1/4-20 x 1/2" |
| 68 | 33356 | | Ground Terminal |
| 110A | 35349 | | Ground Wire |
| 210 | 27793 | | Conduit Clip |
| 211 | 28942 | | Screw, 10-32 x 3/8" |
| 238 | 650834 | | Screw, 10-32 x 1-17/32" |
| 245A | 35404 | | Air Cleaner Filter |
| 274 | 35865 | | Exhaust Gasket (use as required) |
| 277 | 650729 | | Screw, 5/16-18 x 3-3/16" |
| 314 | 650873 | | Screw, 1/4-20 x 3/4" |
| 315 | 611104 | | Alt. Coil (3/5 Split) (Incl.321, 322 & 323) |
| 321 | 611161 | | Diode |
| 323 | 611118 | | Terminal |
| 398 | 590685 | | Rewind Starter & Cup Ass'y. (This assembly replaces 590633 starter. This assembly consists of a 590671 rewind starter and a 35965A starter cup.) |
| 415 | 730130 | | Exh.Adapter Kit(Incl.274 & 277)(As Re q.) |

ILLUSTRATION SHOWS TYPICAL PARTS ONLY. ORDER BY PART NUMBER. PARTS NOT LISTED ARE SUPPLIED BY OEM.

STANDARD POINT IGNITION

VIEW 4 of 4



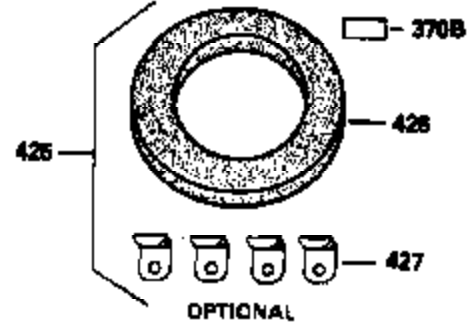
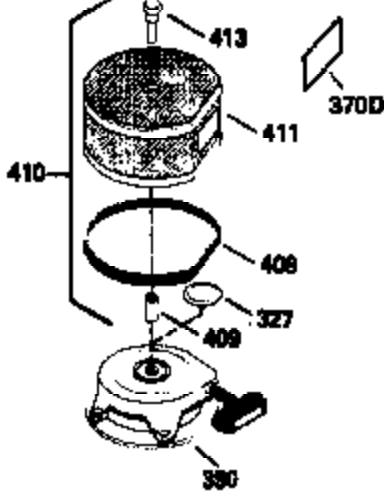
MUFFLER (QUIET) (OPTIONAL)



OPTIONAL SPARK ARRESTOR



DEBRIS SCREEN KIT (OPTIONAL)



| Ref # | Part Number | Qty | Description |
|-------|-------------|-----|--|
| 16 | 32651 | | Governor Lever |
| 19 | 34043 | | Extension Spring |
| 19A | 35203 | | Extension Spring |
| 51 | 35747A | | Counterbalance Weight |
| 92 | 650880 | | Lock Washer |
| 93 | 650881 | | Flywheel Nut, 5/8-18 |
| 103 | 650814 | | Screw, Torx T-15, 10-24 x 1" |
| 186 | 33860 | | Governor Link |
| 200 | 35201 | | Control Bracket |
| 202 | 33802 | | Compression Spring |
| 205 | 650777 | | Screw, 6-32 x 21/32" |
| 206 | 610973 | | Terminal |
| 209 | 30200 | | Screw, 10-24 x 9/16" |
| 210 | 27793 | | Conduit Clip |
| 211 | 28942 | | Screw, 10-32 x 3/8" |
| 212 | 35550 | | Bushing |
| 216 | 35202A | | R.P.M. Adj.Lever (Incl.19,19A,212,222 ,239) |
| 222 | 30312 | | Screw, 10-32 x 1/2" |
| 238 | 650834 | | Screw, 10-32 x 1-17/32" |
| 245A | 35404 | | Air Cleaner Filter |
| 260 | 33635C | | Blower Housing (For electric starter) NOTE: Replacement hardware may differ when servicing starter assy. or blower housing. Refer to Service Bulletin 508. |
| 261 | 650788 | | Screw, 5/16-18 x 3/4" |
| 262 | 29747B | | Screw, Torx T-40, 5/16-24 x 21/32" |
| 275C | 35824 | | Muffler (quiet) (optional) |
| 277 | 650729 | | Screw, 5/16-18 x 3-3/16" |
| 286 | 35446 | | Starter Screen |
| 287A | | | Pop Rivet (can be purchased locally) |
| 287 | 29752 | | Nut & Lock Washer, 1/4-28 |
| 315 | 611104 | | Alt. Coil (3/5 Split) (Incl.321, 322 & 323) |
| 327 | 35392 | | Starter Plug |
| 361 | 30063 | | Screw, Torx T-30, 1/4-20 x 1/2" |
| 390 | 590633 | | Rewind Starter NOTE: Replacement hardware may differ when servicing starter assy. or blower housing. Refer to Service Bulletin 508. (Refer to Division 5, Section C, page 30 for breakdown or Fiche 10B, Grid G-1) |
| 395 | 35763 | | Starter Motor (12 Volt) NOTE: Engine requires a ringgear flywheel (611091 minimum) and the cylinder must have drilled and tapped starter mounting bosses to add the electric starter. (Refer to Division 5, Section D, page 20 for breakdown or Fiche 10B, Grid G-3) |
| 398 | 590685 | | Rewind Starter & Cup Ass'y. (This assembly replaces 590633 starter. This assembly consists of a 590671 rewind starter and a 35965A starter cup.) |
| 408 | 35570 | | Screen Seal (Optional) |
| 409 | 35569 | | Spacer (Optional) |
| 410 | 730573 | | Opt.Screen Kit (Incl.370D,408,409,411 ,413) |
| 411 | 35568 | | Debris Screen (Optional) |
| 413 | 650907 | | Screw, 5/16-18 x 1-5/8" (Optional) |
| 416 | 34479A | | Spark Arrestor Kit |
| 425 | 730572 | | Starter Muff Kit (Incl.370,426,427)(O pt.) |
| 426 | 34687 | | Starter Air Cleaner (Optional) |
| 427 | 34869 | | Starter Air Cleaner Bracket (Optional) |