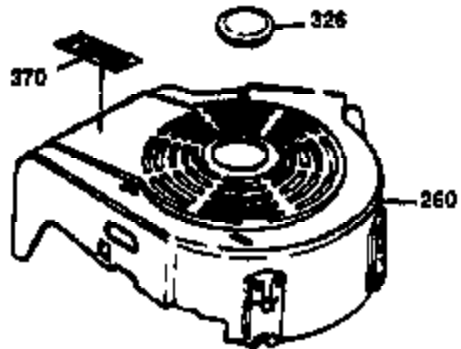
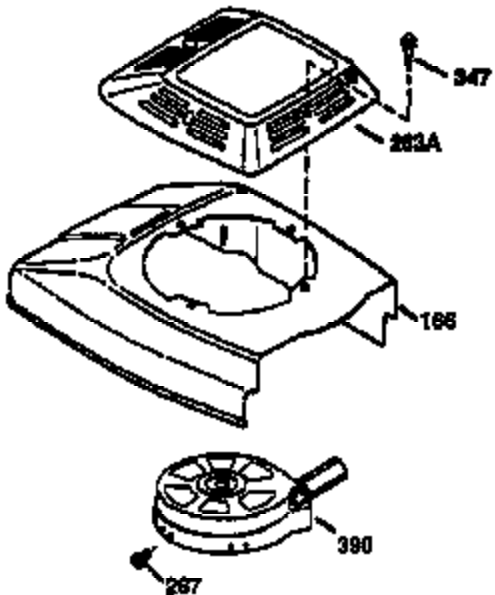
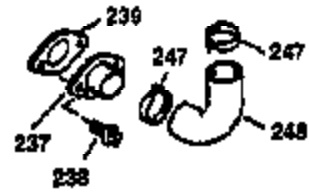
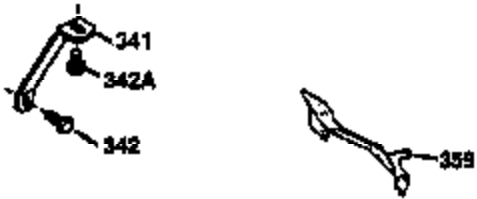
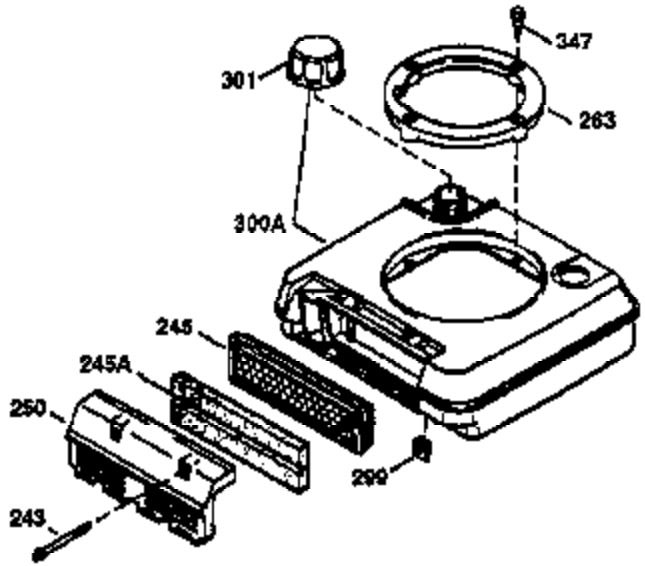
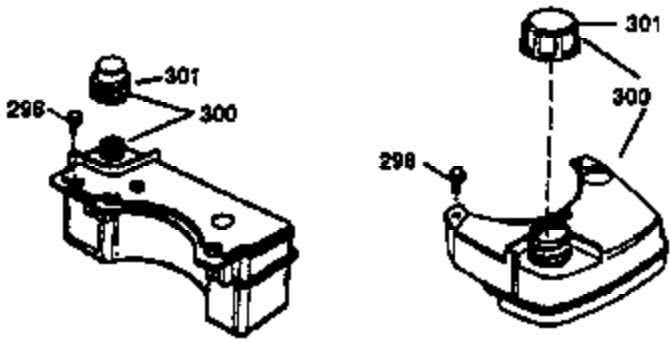


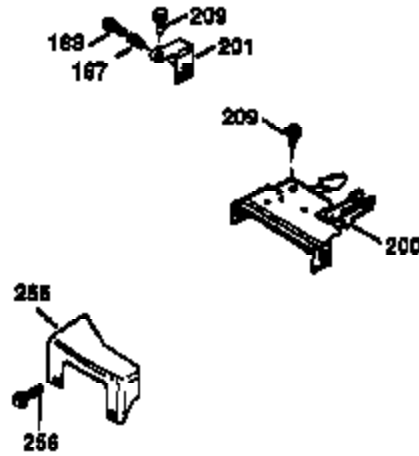
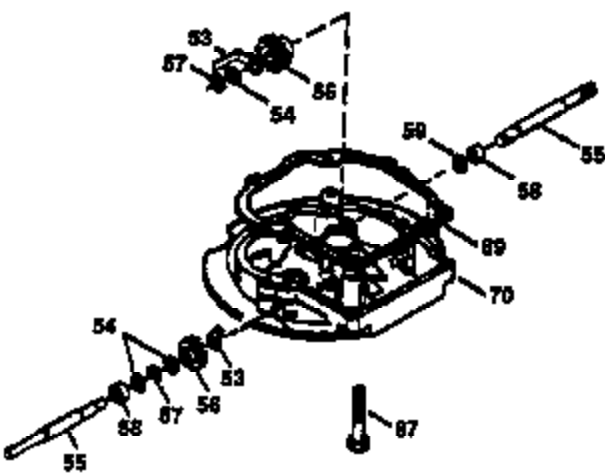
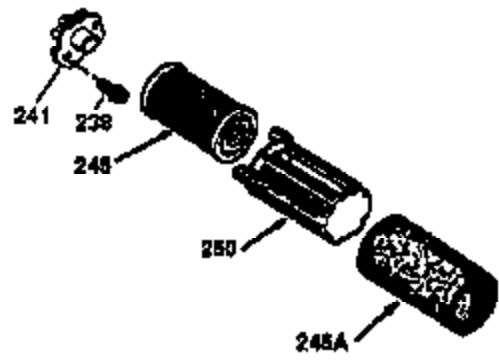
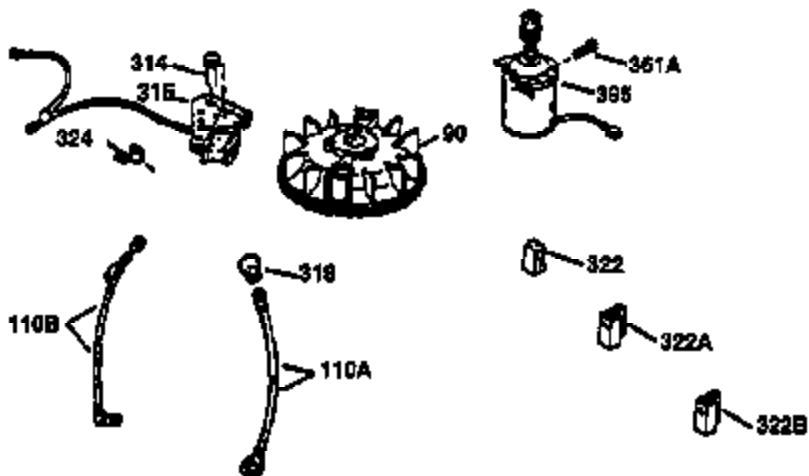
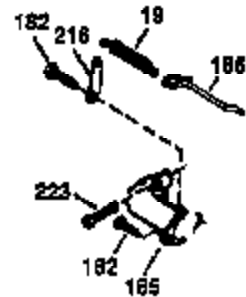
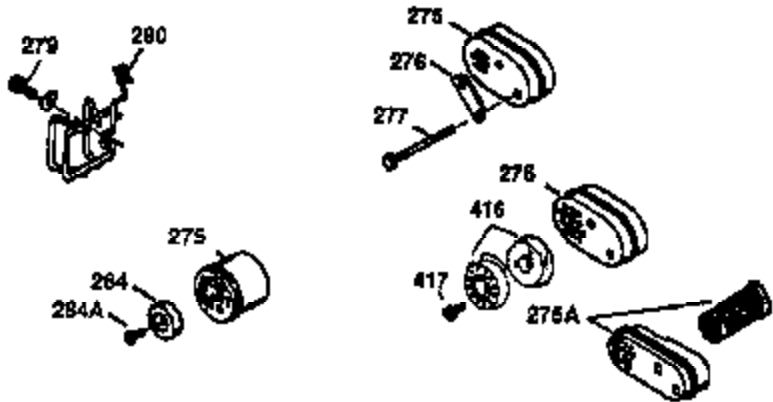
Engine Parts List #1

Ref #	Part Number	Qty	Description
	1 36470A	1	Cylinder (Incl. 2,7,20,125,169,172,17 4)
	2 26727	2	Dowel Pin
	6 33734	1	Breather Element
	7 36557	1	Breather Ass'y. (Incl. 6 & 12A)
12A	36558	1	Breather Cover & Tube
	14 28277	1	Washer
	15 30589	1	Governor Rod (Incl. 14)
	16 34839A	1	Governor Lever
	17 31335	1	Governor Lever Clamp
	18 651018	1	Screw, Torx T-15, 8-32 x 19/64"
	19 36281	1	Extension Spring
	20 32600	1	Oil Seal
	30 34463	1	Crankshaft
	40 34514	1	Piston, Pin & Ring Set (Std.)
	40 34515	1	Piston, Pin & Ring Set (.010" OS)
	40 34516	1	Piston, Pin & Ring Set (.020" OS)
	41 32538B	1	Piston & Pin Ass'y. (Std.) (Incl. 43)
	41 32548B	1	Piston & Pin Ass'y. (.010" OS) (Incl. 43)
	41 32549B	1	Piston & Pin Ass'y. (.020" OS) (Incl. 43)
	42 28986	1	Ring Set (Std.)
	42 28987	1	Ring Set (.010" OS)
	42 28988	1	Ring Set (.020" OS)
	43 20381	2	Piston Pin Retaining Ring
	45 30963B	1	Connecting Rod Ass'y. (Incl. 46)
	46 32610A	2	Connecting Rod Bolt
	48 27241	2	Valve Lifter
	50 35990	1	Camshaft (BCR)
	52 29914	1	Oil Pump Ass'y.
	69 35261	1	* Mounting Flange Gasket
	70 35651E	1	Mounting Flange (Incl. 72 thru 83,306)
	72 36083	1	Oil Drain Plug
	75 26208	1	Oil Seal
	80 30574A	1	Governor Shaft
	81 30590A	1	Washer
	82 30591	1	Governor Gear Ass'y. (Incl. 81)
	83 30588A	1	Governor Spool
	86 650488	6	Screw, 1/4-20 x 1-1/4"
	89 611004	1	Flywheel Key
	90 611112	1	Flywheel
	92 650815	1	Belleville Washer
	93 650816	1	Flywheel Nut
	100 34443B	1	Solid State Ignition
	101 610118	1	Spark Plug Cover
	103 651007	2	Screw, Torx T-15, 10-24 x 15/16"
	110 36230	1	Ground Wire
	119 36437	1	* Cylinder Head Gasket
	120 36474	1	Cylinder Head (Incl. 119)
	125 36471	1	Exhaust Valve (Std.) (Incl. 151)
	125 36472	1	Exhaust Valve (1/32" OS) (Incl. 151)
	126 29314C	1	Intake Valve (Std.) (Incl. 151)
	126 29315C	1	Intake Valve (1/32" OS) (Incl. 151)
	130 6021A	8	Screw, 5/16-18 x 1-1/2"
	135 35395	1	Resistor Spark Plug (RJ19LM)
	150 35991	2	Valve Spring
	151 31673	2	Valve Spring Cap
	169 27234A	1	* Valve Cover Gasket
	172 32755	1	Valve Cover
	174 30200	2	Screw, 10-24 x 9/16"

Ref #	Part Number	Qty	Description
178	29752	2	Nut & Lock Washer, 1/4-28
179	30593	1	Retainer Clip
182	6201	2	Screw, 1/4-28 x 7/8"
184	26756	1	* Carburetor To Intake Pipe Gasket
185	36544	1	Intake Pipe
186	34337	1	Governor Link
189A	650926	1	Screw, 8-32 x 21/64"
189	650356	1	Screw, Torx T-30, 1/4-20 x 3/8"
200	33131A	1	Control Bracket (Incl. 202 thru 206)
202	36482	1	Compression Spring
203	31342	1	Compression Spring
204	651029	1	Screw, Torx T-10, 5-40 x 7/16"
205	651019	1	Screw, Torx T-10, 6-32 x 41/64"
206	610973	1	Terminal
207	34336	1	Throttle Link
209	30200	2	Screw, 10-24 x 9/16"
210	27793	1	Conduit Clip
211	28942	1	Screw, 10-32 x 3/8"
223	650451	2	Screw, 1/4-20 x 1"
224	34690A	1	* Intake Pipe Gasket
238	650806	2	Screw, 10-32 x 5/8"
239	34338	1	* Air Cleaner Gasket
240	37115	1	Air Cleaner Body (Incl. 239)
245	37116	1	Air Cleaner Filter
245A	37117	1	Air Cleaner Filter
250	37118	1	Air Cleaner Cover
260	37139	1	Blower Housing
261	30200	2	Screw, 10-24 x 9/16"
262	650831	2	Screw, 1/4-20 x 1/2"
275	36473	1	Muffler (Incl. 277)
277	650988	2	Screw, 1/4-20 x 2-5/16"
281	37211	1	Starter Bubble Cover
282	650926	1	Screw, 8-32 x 21/64"
285	35000A	1	Starter Cup
287	650926	2	Screw, 8-32 x 21/64"
290	34357	1	Fuel Line
292	26460	2	Fuel Line Clamp
300	35586	1	Fuel Tank (Incl. 292 & 301)
301	36246	1	Fuel Cap
305	35577	1	Oil Fill Tube
306	36996	1	* "O"-Ring
307	35499	1	"O"-Ring
309	650562	1	Screw, 10-32 x 1/2"
310	35578	1	Dipstick
313	34080	1	Spacer
370K	36695	1	Starter Decal
370A	36261	1	Lubrication Decal
370C	37199	1	Primer Decal
380	632769	1	Carburetor (Incl. 184)
390	590732	1	Rewind Starter (NOTE: This engine could have been built with 590738 starter).
400	36475B	1	* Gasket Set (Incl. items marked PK in notes) Incl. part #'s 26756 (1), 27234A (1), 33735 (1), 34338 (1), 34690A (1), 36437 (1), 36832 (1), 36996 (1), 37130 (1).
420	730225	1	SAE 30 4-Cycle Engine Oil (1 Quart)



Ref #	Part Number	Qty	Description
189A	650926	1	Screw, 8-32 x 21/64"
238	650806	2	Screw, 10-32 x 5/8"
239	34338	1	* Air Cleaner Gasket
245A	37117	1	Air Cleaner Filter
245	37116	1	Air Cleaner Filter
250	37118	1	Air Cleaner Cover
260	37139	1	Blower Housing
263	36240	1	Trim Ring
287	650926	2	Screw, 8-32 x 21/64"
300	35586	1	Fuel Tank (Incl. 292 & 301)
301	36246	1	Fuel Cap
359	36773	1	Starter Guard
390	590732	1	Rewind Starter (NOTE: This engine could have been built with 590738 starter).



Ref #	Part Number	Qty	Description
19	36281	1	Extension Spring
69	35261	1	* Mounting Flange Gasket
70	35651E	1	Mounting Flange (Incl. 72 thru 83,306)
90	611112	1	Flywheel
182	6201	2	Screw, 1/4-28 x 7/8"
185	36544	1	Intake Pipe
186	34337	1	Governor Link
200	33131A	1	Control Bracket (Incl. 202 thru 206)
209	30200	2	Screw, 10-24 x 9/16"
223	650451	2	Screw, 1/4-20 x 1"
238	650806	2	Screw, 10-32 x 5/8"
245	37116	1	Air Cleaner Filter
245A	37117	1	Air Cleaner Filter
250	37118	1	Air Cleaner Cover
275	36473	1	Muffler (Incl. 277)
277	650988	2	Screw, 1/4-20 x 2-5/16"
416	36085	1	Spark Arrestor Kit (Incl. 417)(Optional)
417	650821	1	Screw, 10-32 x 1/2" (Optional)