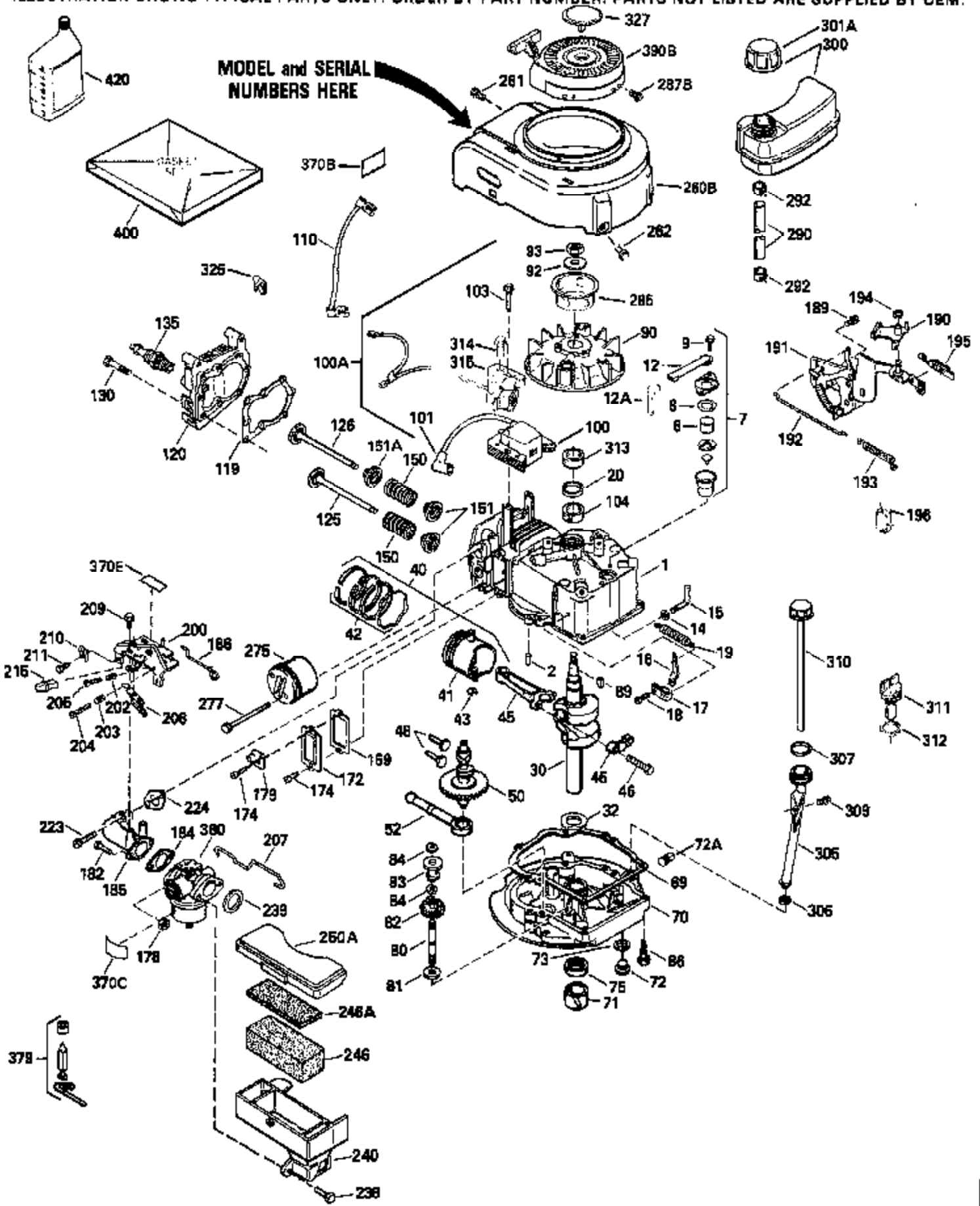


ILLUSTRATION SHOWS TYPICAL PARTS ONLY. ORDER BY PART NUMBER. PARTS NOT LISTED ARE SUPPLIED BY OEM.

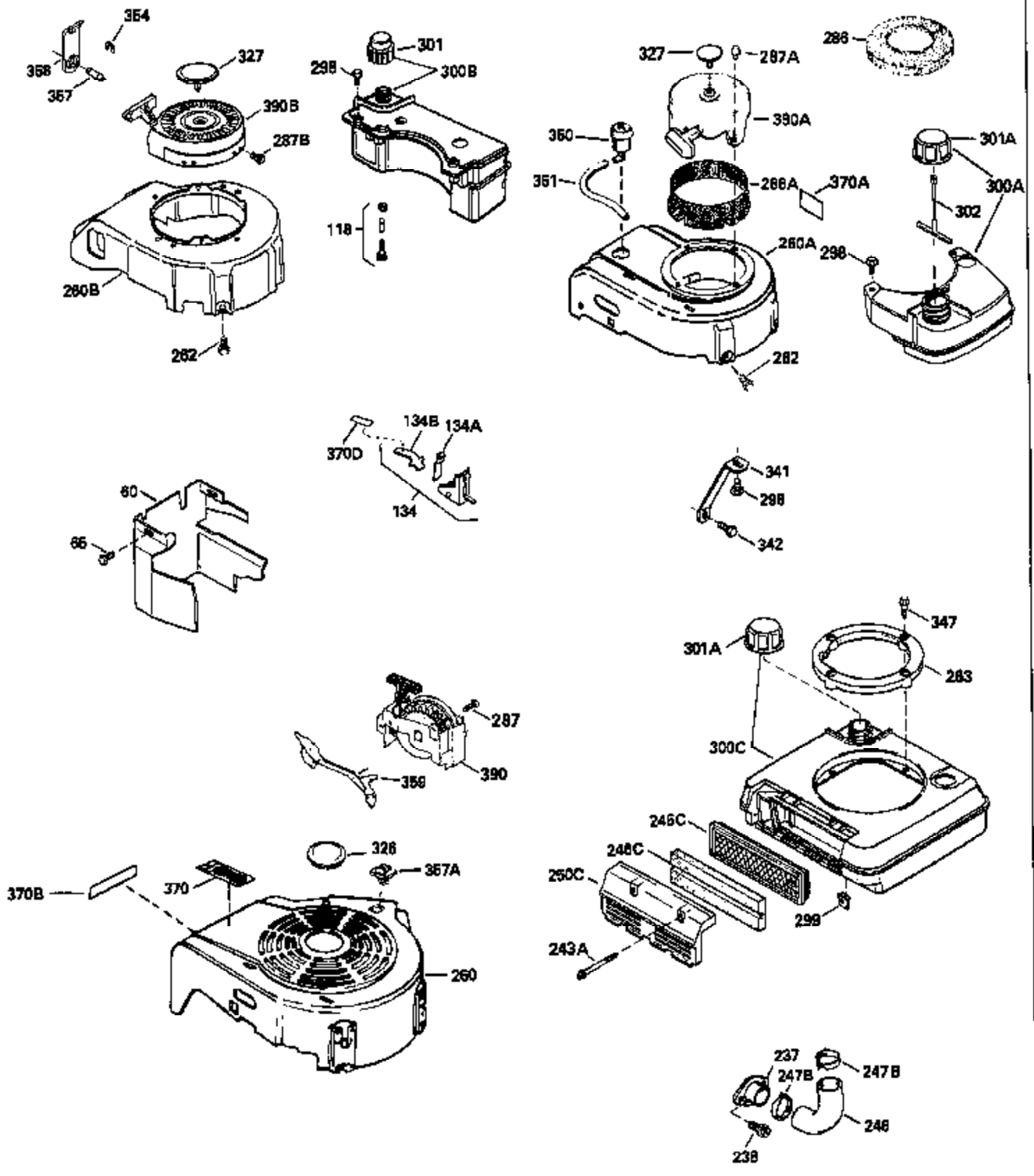
MODEL and SERIAL  
NUMBERS HERE



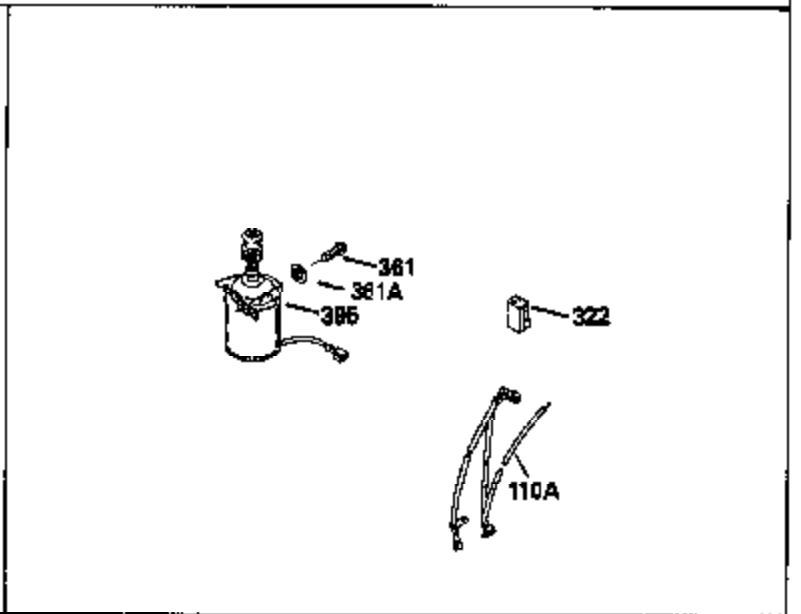
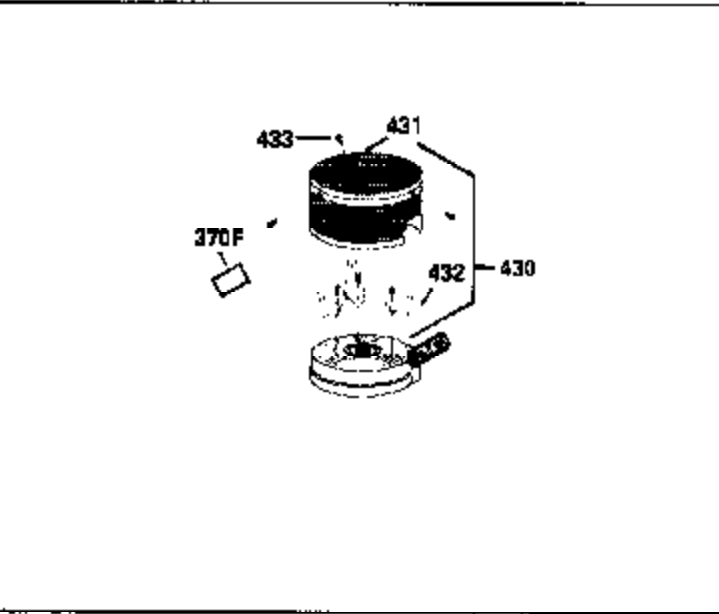
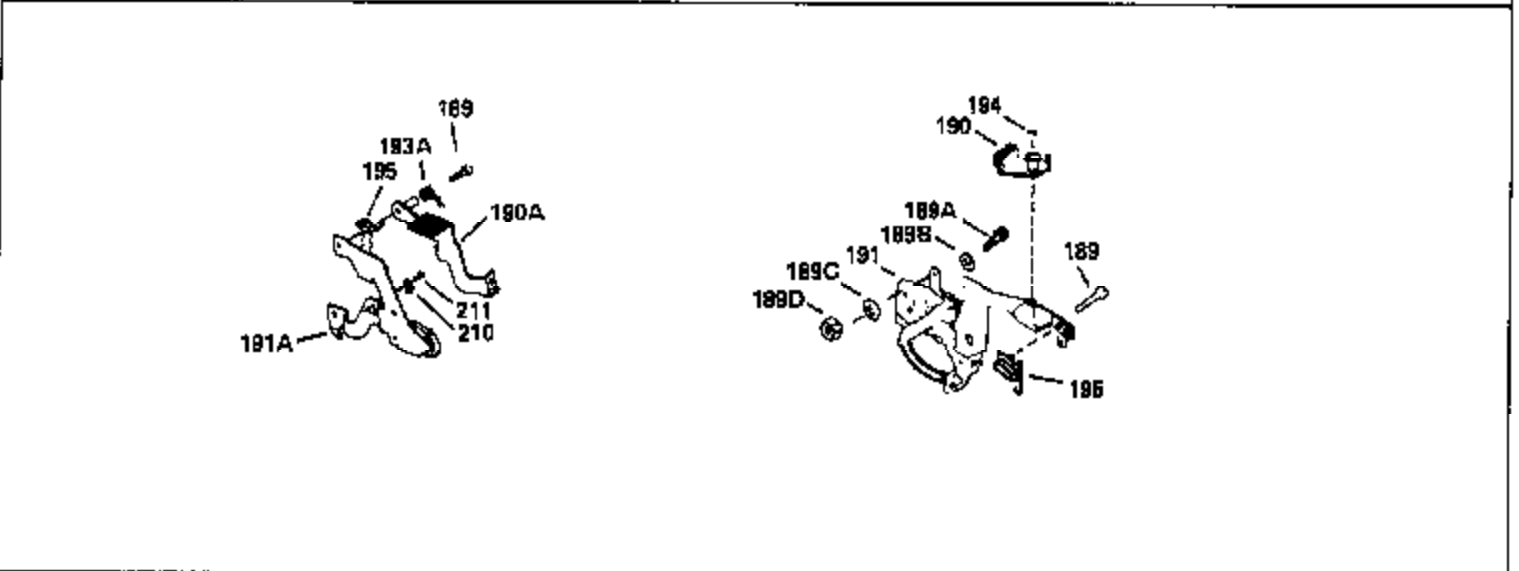
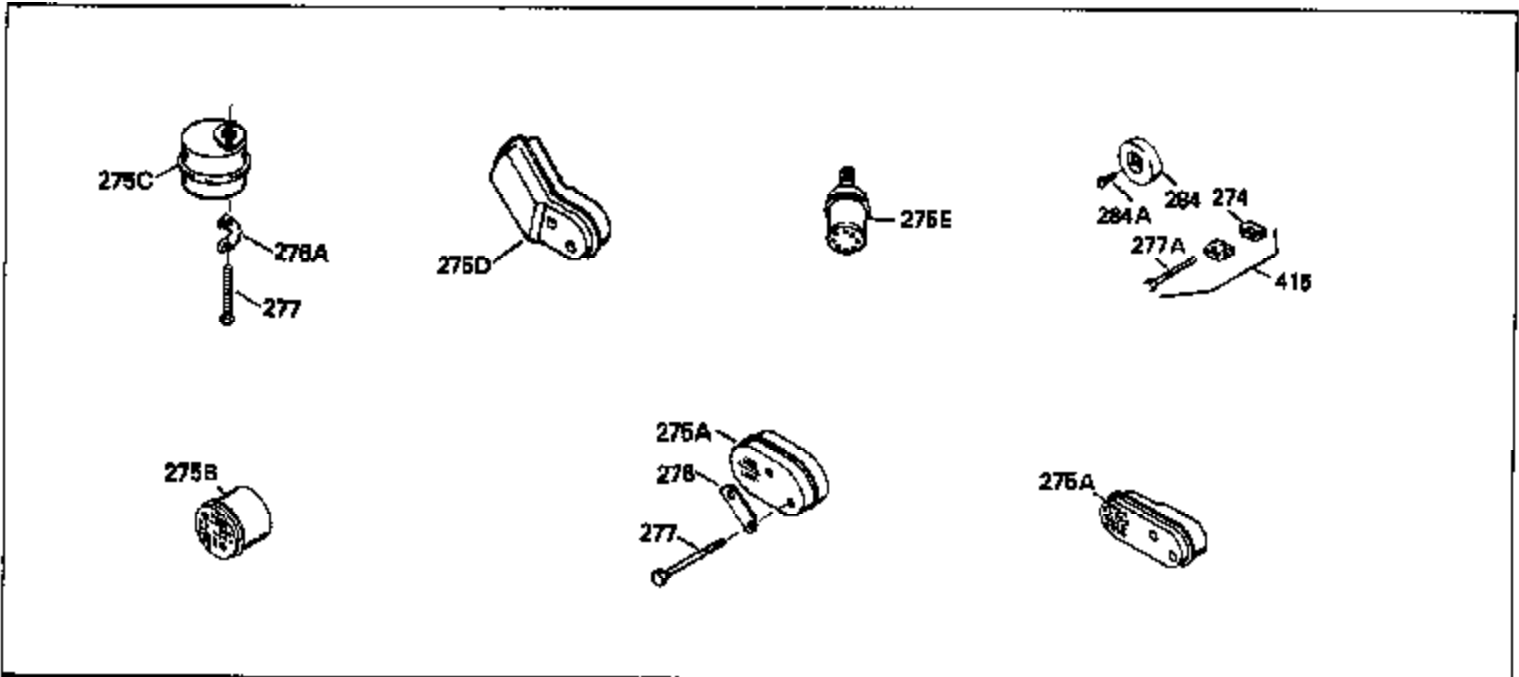
| Ref # | Part Number | Qty | Description  |
|-------|-------------|-----|--|
| 1     | 34975       |     | Cylinder Ass'y. (Incl. 2, 8, 9 & 20) (2-1/2")  |
| 2     | 26727       |     | Pin, Dowel   |
| 6     | 33734       |     | Element, Breather  |
| 7     | 34214A      |     | Breather Ass'y. (Incl. 6, 8, 9, 12 & 12A)  |
| 8     | 33735       |     | * Gasket, Breather   |
| 9     | 30200       |     | Screw, 10-24 x 9/16"   |
| 12A   | 34695       |     | Elbow, Breather tube   |
| 12    | 33886       |     | Tube, Breather   |
| 14    | 28277       |     | Washer   |
| 15    | 31513       |     | Rod, Governor  |
| 16    | 31383A      |     | Lever, Governor  |
| 17    | 31335       |     | Clamp, Governor lever  |
| 18    | 650548      |     | Screw, 8-32 x 5/16"  |
| 19    | 31361       |     | Spring, Extension  |
| 20    | 32600       |     | Seal, Oil  |
| 30    | 34450       |     | Crankshaft Ass'y.  |
| 40    | 34514       |     | Piston, Pin & Ring Set (Std.) (2-1/2" Bore)  |
| 40    | 34515       |     | Piston, Pin & Ring Set (.010" OS)  |
| 40    | 34516       |     | Piston, Pin & Ring Set (.020" OS)  |
| 41    | 32538B      |     | Piston & Pin Ass'y. (Incl. 43)(Std.)( 2-1/2")  |
| 41    | 32548B      |     | Piston & Pin Ass'y. (Incl. 43) (.010" OS)  |
| 41    | 32549B      |     | Piston & Pin Ass'y. (Incl. 43) (.020" OS)  |
| 42    | 28986       |     | Ring Set (Std.) (2-1/2" Bore)  |
| 42    | 28987       |     | Ring Set (.010" OS)  |
| 42    | 28988       |     | Ring Set (.020" OS)  |
| 43    | 20381       |     | Ring, Piston pin retaining   |
| 45    | 30963B      |     | Rod Assy., Connecting (Incl. 46)   |
| 46    | 32610A      |     | Bolt, Connecting rod   |
| 48    | 27241       |     | Lifter, Valve  |
| 50    | 33553       |     | Camshaft (MCR)   |
| 52    | 29914       |     | Oil Pump Assy.   |
| 69    | 35261       |     | * Gasket, Mounting flange  |
| 72    | 30572       |     | Plug, Oil drain (Incl. 73)   |
| 73    | 28833       |     | * Drain Plug Gasket (Not req. W/plastic plug)  |
| 75    | 26208       |     | Seal, Oil  |
| 80    | 30574       |     | Shaft, Governor  |
| 81    | 30590A      |     | Washer, Flat   |
| 82    | 30591       |     | Gear Assy., Governor (Incl. 81)  |
| 83    | 30588A      |     | Spool, Governor  |
| 84    | 29193       |     | Ring, Retaining  |
| 86    | 650488      |     | Screw, 1/4-20 x 1-1/4"   |
| 89    | 611004      |     | Flywheel Key   |
| 90    | 611046A     |     | Flywheel   |
| 92    | 650815      |     | Washer, Belleville   |
| 93    | 650816      |     | Nut, Flywheel  |
| 100   | 730207      |     | Magneto-to-Solid State Conversion Kit (Includes solid state module, solid state flywheel key, and instructions.)(Use as required on external ignition engines only.) |
| 100   | 34443A      |     | Solid State Assy.  |
| 101   | 610118      |     | Cover, Spark plug  |
| 103   | 650814      |     | Screw, Torx T-15, 10-24 x 1"   |
| 110   | 34961       |     | Ground Wire  |
| 119   | 29953C      |     | * Gasket, Cylinder head  |
| 120   | 34335       |     | Head, Cylinder   |
| 125   | 29313C      |     | Exhaust Valve (Std.) (Incl. 151)   |
| 125   | 29315C      |     | Exhaust Valve (1/32" OS) (Incl. 151)   |
| 126   | 29314B      |     | Intake Valve (Std.) (Incl. 151)  |

| Ref # | Part Number | Qty | Description   |
|-------|-------------|-----|---|
| 126   | 29315C      |     | Intake Valve (1/32" OS) (Incl. 151)   |
| 130   | 6021A       |     | Screw, 5/16-18 x 1-1/2"   |
| 135   | 35395       |     | Resistor Spark Plug (RJ19LM)  |
| 150   | 31672       |     | Spring, Valve   |
| 151   | 31673       |     | Cap, Lower valve spring   |
| 169   | 27234A      |     | * Gasket, Valve spring box  |
| 172   | 32755       |     | Cover, Valve spring box   |
| 174   | 650128      |     | Screw, 10-24 x 1/2"   |
| 178   | 29752       |     | Nut & Lockwasher, 1/4-28  |
| 182   | 6201        |     | Screw, 1/4-28 x 7/8"  |
| 184   | 26756       |     | * Gasket, Carburetor  |
| 185   | 31384A      |     | Pipe, Intake (Incl. 224)  |
| 186   | 32653       |     | Link, Governor spring   |
| 189   | 650839      |     | Screw, 1/4-20 x 3/8"  |
| 190   | 35831       |     | Lever, Brake  |
| 191   | 35015B      |     | Bracket Assy., S.E. Brake (Incl. 195)   |
| 192   | 34966       |     | Link, Control   |
| 193   | 34965       |     | Spring, Extension   |
| 194   | 32309       |     | Ring, Retaining   |
| 195   | 610973      |     | Terminal Assy.  |
| 206   | 610973      |     | Terminal (Use as required)  |
| 207   | 34336       |     | Link, Throttle  |
| 223   | 650451      |     | Screw, 1/4-20 x 1"  |
| 224   | 34690A      |     | * Gasket, Intake pipe   |
| 261   | 30200       |     | Screw, 10-24 x 9/16"  |
| 262   | 650831      |     | Screw, 1/4-20 x 15/32"  |
| 275   | 27181B      |     | Muffler Kit (Incl. 274 & 277)   |
| 277   | 650795      |     | Screw, 1/4-20 x 2-1/4"  |
| 285   | 34449       |     | Hub, Starter  |
| 290   | 34357       |     | Fuel Line (Epichlorohydrin 6-3/4") (1 7cm)  |
| 290   | 29774       |     | Fuel Line (Braided 8-1/4")(21cm)(Use as req.)   |
| 290   | 30705       |     | Fuel Line (Braided 16")(40cm)(Use as req.)  |
| 290   | 30962       |     | Fuel Line (Braided 32")(81cm)(Use as req.)  |
| 292   | 26460       |     | Clamp, Fuel line  |
| 300   | 32170A      |     | Fuel Tank (Incl. 292 & 301)   |
| 306   | 34282       |     | "O" Ring (This "O" ring is required with metal fill tube only when replacement mounting flange with .777 dia. oil fill hole has been used.) |
| 311   | 27625       |     | Plug, Oil filler (Incl. 312)  |
| 312   | 29673       |     | * Gasket, Oil filler  |
| 313   | 34080       |     | Spacer, Flywheel key  |
| 325   | 29443       |     | Clip, Fuel line   |
| 379   | 631021      |     | Inlet Needle, Seat & Clip Assy.   |
| 380   | 632387      |     | Carburetor (Incl. 184) (Refer to Division 5, Section A, page A2-12 or Fiche 8, Grid F-7for breakdown)                                       |
| 400   | 33238C      |     | * Gasket Set (Incl. items marked *)   |
| 420   | 730225      |     | SAE 30, 4-Cycle Engine Oil (Quart)  |

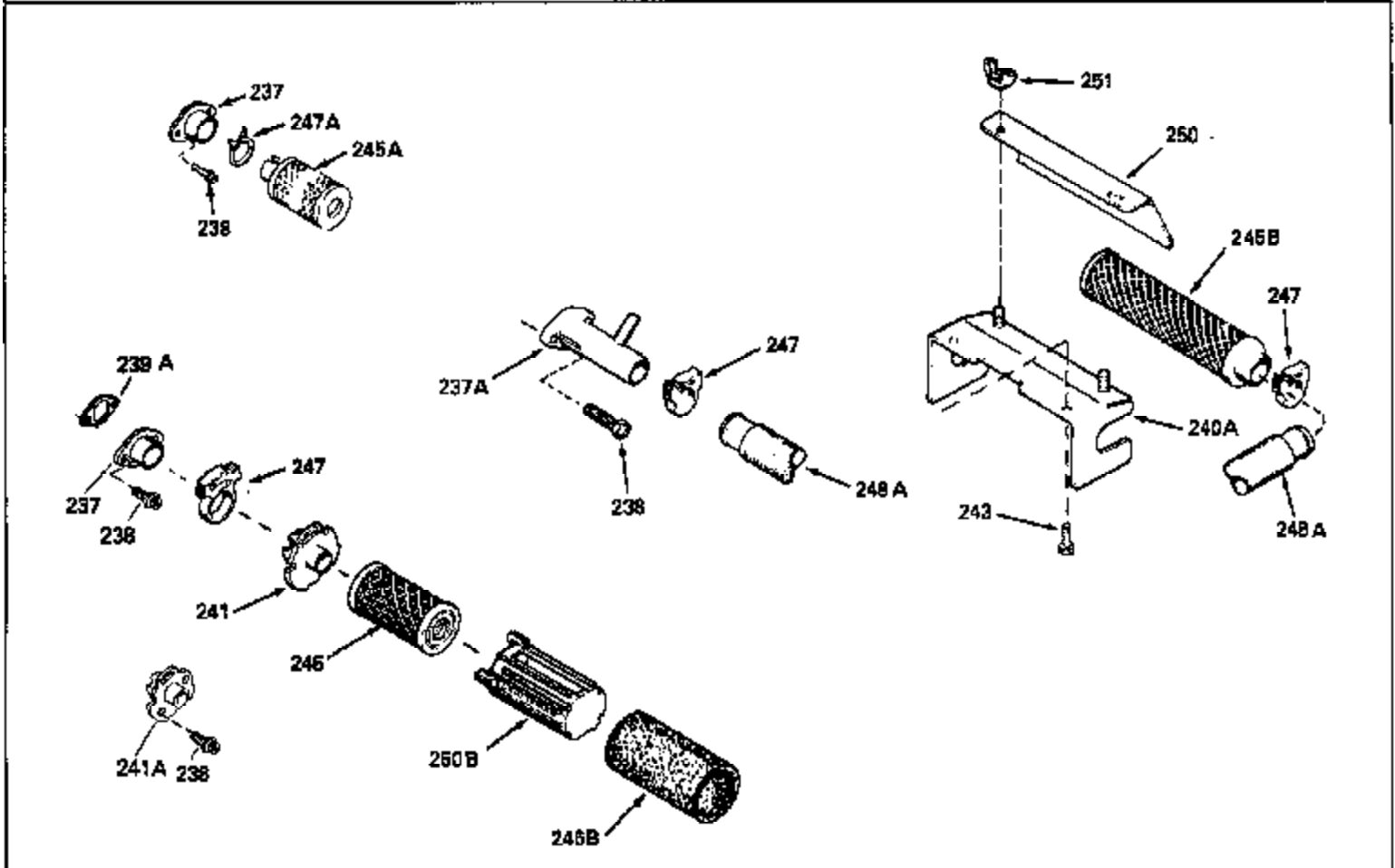
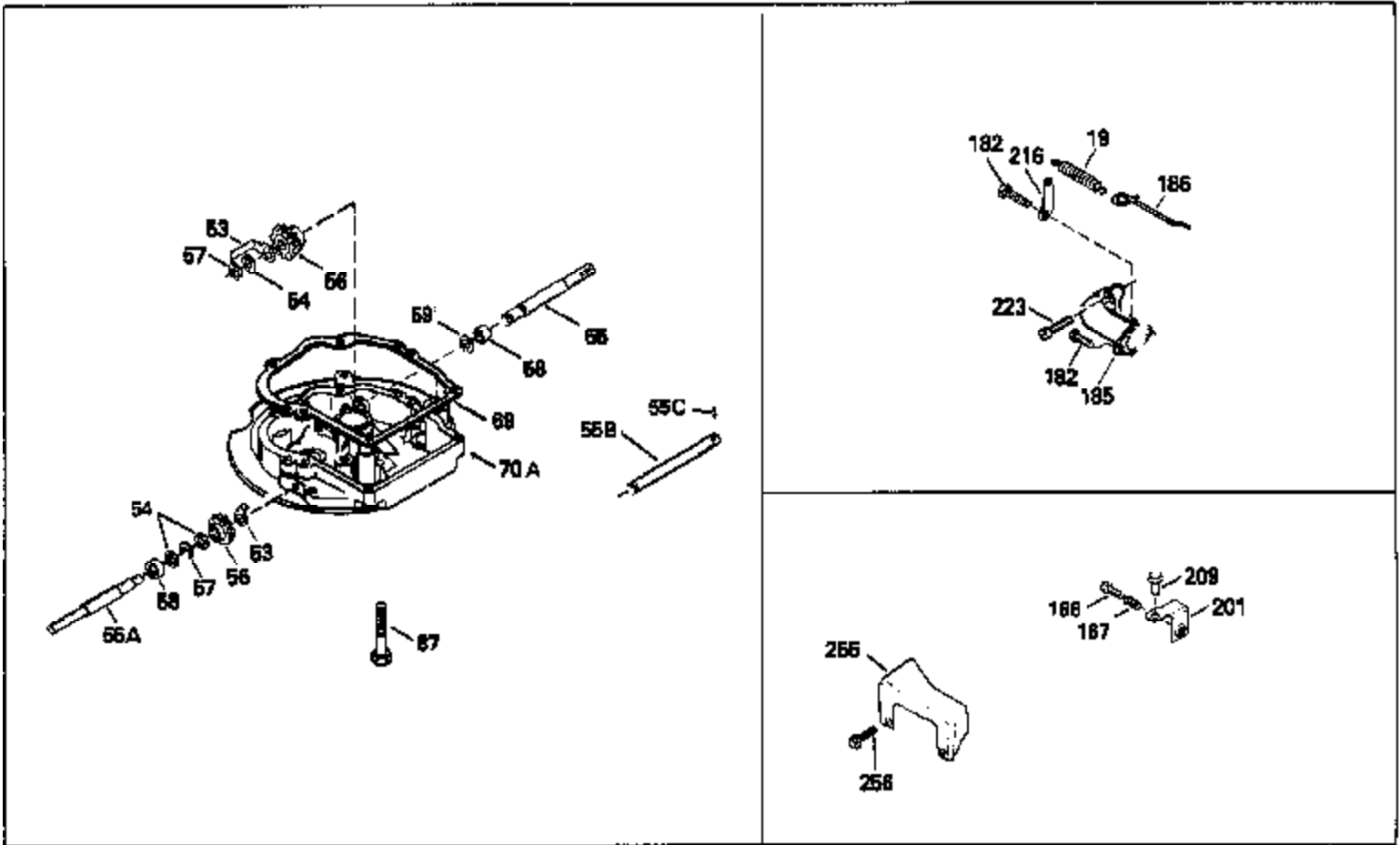
ILLUSTRATION SHOWS TYPICAL PARTS ONLY. ORDER BY PART NUMBER. PARTS NOT LISTED ARE SUPPLIED BY OEM.



| Ref # | Part Number | Qty | Description   |
|-------|-------------|-----|---|
| 118   | 730194      |     | Rope Guide Kit (Use as required with 34476 fuel tank)                                       |
| 246C  | 35705       |     | Filter, Pre-Air (Optional)  |
| 260A  | 34447       |     | Housing, Blower   |
| 262   | 650831      |     | Screw, 1/4-20 x 15/32"  |
| 286   | 35009       |     | Screen, Starter cup   |
| 287A  | 650735      |     | Screw, 10-24 x 3/8" (Use as required)   |
| 287A  |             |     | Pop Rivet, (3/16" Dia.)(Purchase locally)   |
| 301   | 33032       |     | Fuel Cap  |
| 354   | 35025       |     | Staple (Not used on all models)   |
| 357   | 34985       |     | Rope Stop & Staple Ass'y. (Incl. 354)   |
| 358   | 35168       |     | Bracket Assy., Rope guide   |
| 370   | 34993       |     | Decal, Instruction  |
| 379   | 631021      |     | Inlet Needle, Seat & Clip Assy.   |
| 390A  | 590420A     |     | Rewind Starter (Refer to Division 5, Section C, page 25 or Fiche 8, Grid G-7 for breakdown) |



| Ref # | Part Number | Qty | Description                                   |
|-------|-------------|-----|---|
| 189   | 650839      |     | Screw, 1/4-20 x 3/8"                          |
| 190   | 35831       |     | Lever, Brake                                  |
| 191   | 35015B      |     | Bracket Assy., S.E. Brake (Incl. 195)         |
| 194   | 32309       |     | Ring, Retaining                               |
| 195   | 610973      |     | Terminal Assy.                                |
| 274   | 26754A      |     | * Gasket, Exhaust (Use as required)           |
| 277A  | 30063       |     | Screw, 1/4-20 x 1/2" (Use as required )       |
| 277   | 650795      |     | Screw, 1/4-20 x 2-1/4"                        |
| 370F  | 34387       |     | Decal, Instruction (Optional)                 |
| 379   | 631021      |     | Inlet Needle, Seat & Clip Assy.               |
| 415   | 730162      |     | Muffler Adap.Kit(Incl.274,277A)(Use a s req.) |
| 430   | 730574      |     | Debris Screen Kit (Incl. 370F,431-433 )(Opt.) |
| 431   | 35596       |     | Screen, Debris (Optional)                     |
| 432   | 35597       |     | Bracket, Debris screen (Optional)             |
| 433   | 650910      |     | Screw, 8-32 x 1/4" (Optional)                 |





| Ref # | Part Number | Qty | Description                                    |
|-------|-------------|-----|--|
| 19    | 31361       |     | Spring, Extension                              |
| 53    | 31745       |     | Tang, Washer                                   |
| 54    | 31747       |     | Washer, Flat                                   |
| 55    | 33774       |     | Shaft, P.T.O.                                  |
| 56    | 33401       |     | Right Hand Worm Gear                           |
| 57    | 31749       |     | Ring, Retaining                                |
| 58    | 31744       |     | Seal, Oil                                      |
| 59    | 31787       |     | Washer, Flat                                   |
| 69    | 35261       |     | * Gasket, Mounting flange                      |
| 70A   | 35609       |     | Flange Ass'y. (Incl.58, 72, 73, 75, 8 0 & 311) |
| 87    | 650492      |     | Screw, 1/4-20 x 2-1/4"                         |
| 182   | 6201        |     | Screw, 1/4-28 x 7/8"                           |
| 185   | 31384A      |     | Pipe, Intake (Incl. 224)                       |
| 186   | 32653       |     | Link, Governor spring                          |
| 216   | 33086       |     | Lever, Speed adjusting                         |
| 223   | 650451      |     | Screw, 1/4-20 x 1"                             |
| 241   | 35067       |     | Collar, Air cleaner (Black)                    |
| 245   | 35066       |     | Filter, Air cleaner                            |
| 246B  | 35435       |     | Filter, Pre-Air (Use as required)              |
| 247A  | 35068       |     | Clamp, Air cleaner                             |
| 250B  | 35065       |     | Air Cleaner Cover Ass'y.                       |
| 379   | 631021      |     | Inlet Needle, Seat & Clip Assy.                |