

Ref #	Part Number	Qty	S/P/F	Description
1	34975	1	S/P	"Cylinder Ass'y. (Incl. 2, 8, 9 & 20) (2-1/2")
2	26727	1		Dowel Pin
6	33734	1		Element, Breather
7	34214A	1	S/P	Breather Ass'y. Incl. 6, 8, 9, 12 & 1 2A
8	33735	1		* Gasket, Breather
9	30200	1	/P	Screw, 10-24 x 9/16"
12	33886	1	/P	Tube, Breather
14	28277	1		Flat Washer
15	30589	1		Rod, Governor (Incl. 14)
16	31383A	1	/P	Lever, Governor
17	31335	1		Clamp, Governor lever
18	650548	1	S	Screw, 8-32 x 5/16"
19	31361	1		Spring, Extension
20	32600	1		Seal, Oil
30	34473	1	S	Crankshaft Ass'y.
40	34514	1		Piston, Pin & Ring Set (Std.) 2-1/2" Bore
40	34515	1		Piston, Pin & Ring Set (.010" OS)
40	34516	1		Piston, Pin & Ring Set (.020" OS)
41	32538B	1	/P	Piston & Pin Ass'y. (Incl. 43)(Std.) 2-1/2"
41	32548B	1	/P	Piston & Pin Ass'y. (Incl. 43) .010" OS
41	32549B	1	/P	Piston & Pin Ass'y. (Incl. 43) .020" OS
42	28986	1	/P	Ring Set (Std.)
42	28987	1	/P	Ring Set (.010" OS)
42	28988	1	/P	Ring Set (.020" OS)
43	20381	1		Piston Pin Retaining Ring
45	30963B	1	/P	Rod Assy., Connecting (Incl. 46)
46	32610A	1	/P	Bolt, Connecting rod
48	27241	1		Valve Lifter
50	33553	1	S/P	Camshaft (MCR)
52	29914	1		Oil Pump Ass'y.
69	35261	1	S/P	* Gasket, Mounting flange
70	30571A	1	S/P	Flange Ass'y. Incl. 72, 73, 75, 80 & 311
72	30572	1	S/P	Plug, Oil drain (Incl. 73)
73	28833	1	/P	* Drain Plug Gasket Not req. W/plastic plug
75	26208	1	/P	Oil Seal
80	30574	1	S/P	Shaft, Governor
81	30590A	1	/P	Washer, Flat
82	30591	1	/P	Gear Assy., Governor (Incl. 81)
83	30588A	1	/P	Spool, Governor
84	29193	1		Retaining Ring
86	650488	1	/P	Screw, 1/4-20 x 1-1/4"
89	611004	1		Flywheel Key (also available in Packa ged Part #740007B)
90	611046A	1	/P	Flywheel
92	650815	1	/P	Washer, Belleville
93	650816	1		Nut, Flywheel
100	34443A	1	S/P	Solid State Assy.
100	730207	1	/P	Magneto-to-Solid State Conversion Kit (Includes solid state module, solid state flywheel key, and instructions.)(Use as required on external ignitio n engines only.)
103	650814	1	S	Screw, Torx T-15, 10-24 x 1"

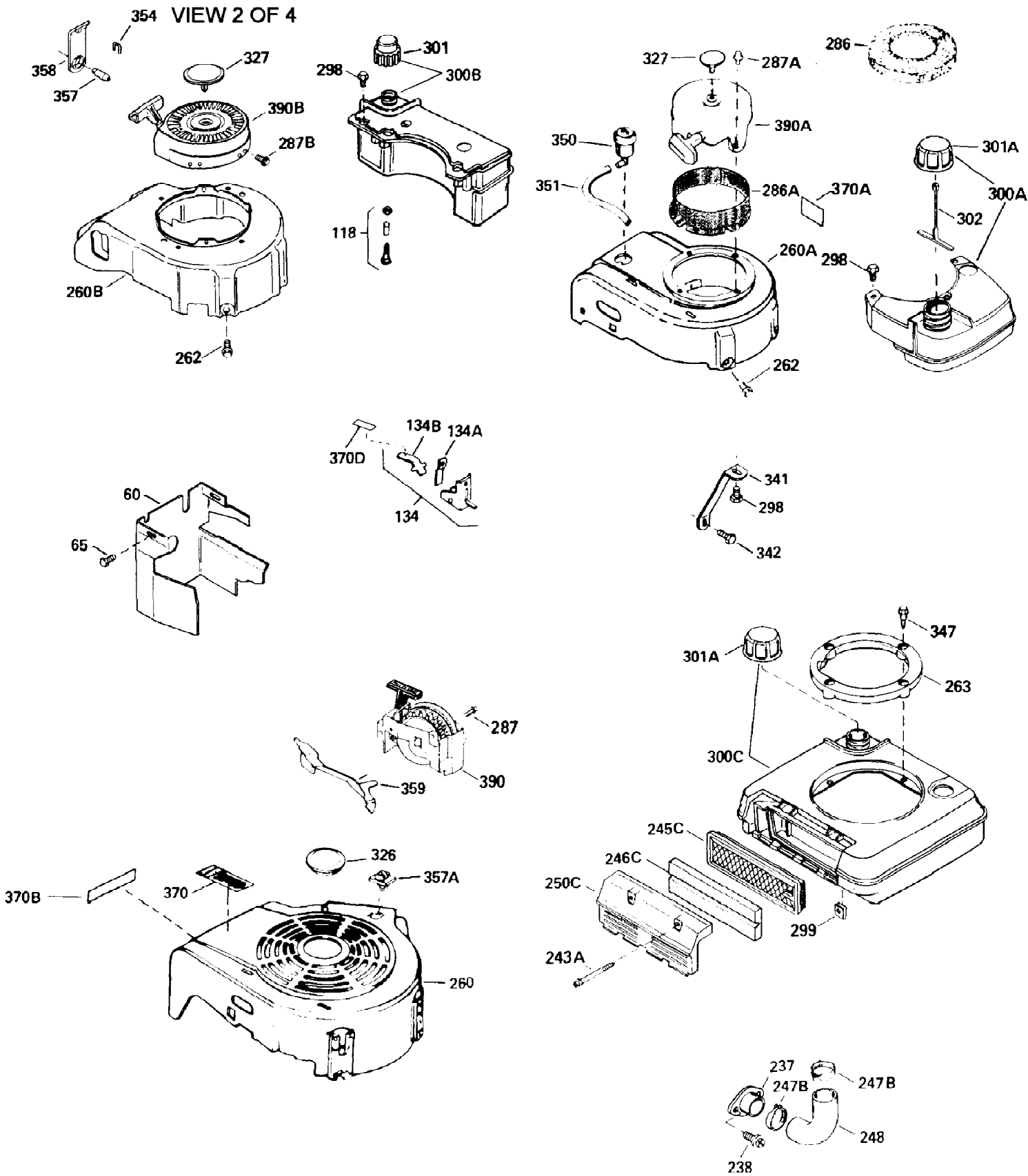
Ref #	Part Number	Qty	S/P/F	Description
110	34961	1	S/P	Ground Wire
119	29953C	1	/P	* Gasket, Cylinder head
120	34335	1	S	Head, Cylinder
125	29313C	1	/P	Exhaust Valve (Std.) (Incl. 151)
125	29315C	1	/P	Exhaust Valve (1/32" OS) (Incl. 151)
126	29314B	1	S/P	Intake Valve (Std.) (Incl. 151)
126	29315C	1	/P	Exhaust Valve (1/32" OS) (Incl. 151)
130	6021A	1	/P	Screw, 5/16-18 x 1-1/2"
135	35395	1	/P	Resistor Spark Plug (RJ19LM) also available in Packaged Part #740081
150	31672	1	/P	Spring, Valve
151	31673	1		Cap, Lower valve spring
169	27234A	1	/P	* Gasket, Valve spring box
172	32755	1		Cover, Valve spring box
174	650128	1	/P	Screw, 10-24 x 1/2"
178	29752	1	/P	Nut & Lock Washer 1/4-28
182	6201	1	/P	Screw, 1/4-28 x 7/8"
184	26756	1	/P	* Gasket, Carburetor
185	31384A	1	/P	Pipe, Intake (Incl. 224)
186	32653	1		Link, Governor spring
189	650839	1		Screw, 1/4-20 x 3/8"
190	35831	1	/P	Lever, Brake
191	35015B	1	/P	S.E. Brake Bracket (Incl. 195)
192	34966	1		Link, Control
193	34965	1		Spring, Extension
194	32309	1	/P	Ring, Retaining
195	610973	1		Terminal Assy.
206	610973	1		Terminal (Use as required)
207	34336	1	S	Link, Throttle
223	650451	1	/P	Screw, 1/4-20 x 1"
224	34690A	1	/P	* Gasket, Intake pipe
238	650806	1		Screw, 10-32 x 5/8"
239	34338	1		* Gasket, Air cleaner
240	34858	1	/P	Body, Air cleaner (Black)
246	34340	1		Air Filter (Poly) (also available in Packaged Part #740023B)
250A	34341A	1	S/P	Air Cleaner Cover
261	30200	1	/P	Screw, 10-24 x 9/16"
262	650831	1		Screw, 1/4-20 x 15/32"
275	27181B	1	S/P	Muffler Kit (Incl. 274 & 277)
277	650795	1		Screw, 1/4-20 x 2-1/4"
285	34449	1	S	Hub, Starter
290	30962	1	/P	Fuel Line (Braided 32")(81cm) Use as req.
290	34357	1	S/P	Fuel Line (Epichlorohydrin 6-3/4") 1 7cm
290	29774	1	/P	Fuel Line (8.62") as req.)
290	30705	1	/P	Fuel Line (Braided 16")(40cm) Use as req.
292	26460	1	/P	Fuel Line Clamp
300	32170A	1	S/P	Fuel Tank (Incl. 292 & 301)
306	34282	1		"O" Ring This "O" ring is required with metal fill tube only when replacement mounting flange with .777 dia. oil fill hole has been used.

TVS90-43227D
Engine Parts List #1

Page 4 of 10

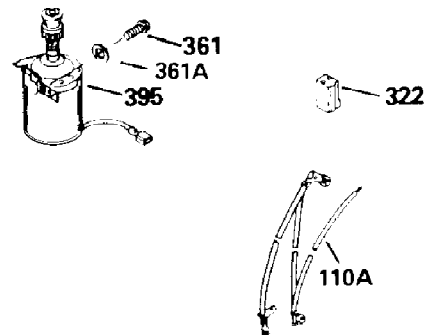
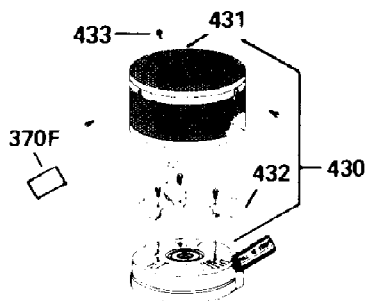
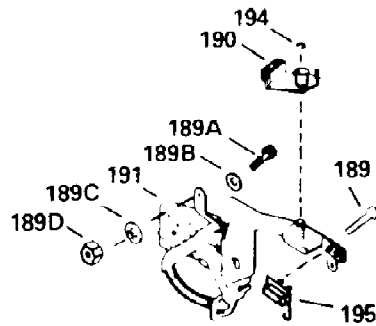
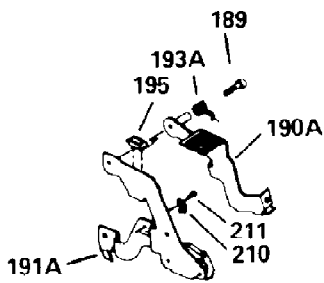
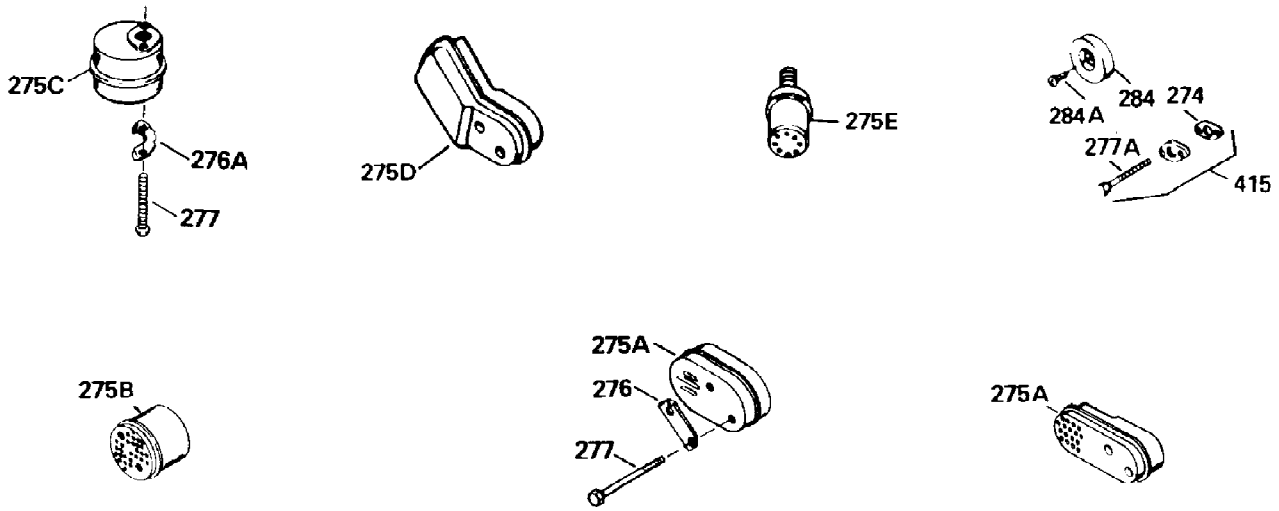
Ref #	Part Number	Qty	S/P/F	Description
311	27625	1	/P	Oil Fill Plug (Incl. 312) also available in Packaged Part #740079
312	29673	1		* Gasket, Oil filler
313	34080	1	/P	Spacer, Flywheel key
325	29443	1	/P	Wire Clip
379	631021	1	S/P	Inlet Needle, Seat & Clip Assy.
380	632046A	1	S/P	Carburetor (Incl. 184) (Refer to Division 5, Section A, page A2-10 or Fiche 8, Grid F-3 for breakdown)
400	33238C	1	S/P	* Gasket Set (Incl. items marked *)
420	730225	1	S	SAE 30, 4-Cycle Engine Oil (Quart)

ILLUSTRATION SHOWS TYPICAL PARTS ONLY. ORDER BY PART NUMBER. PARTS NOT LISTED ARE SUPPLIED BY OEM.



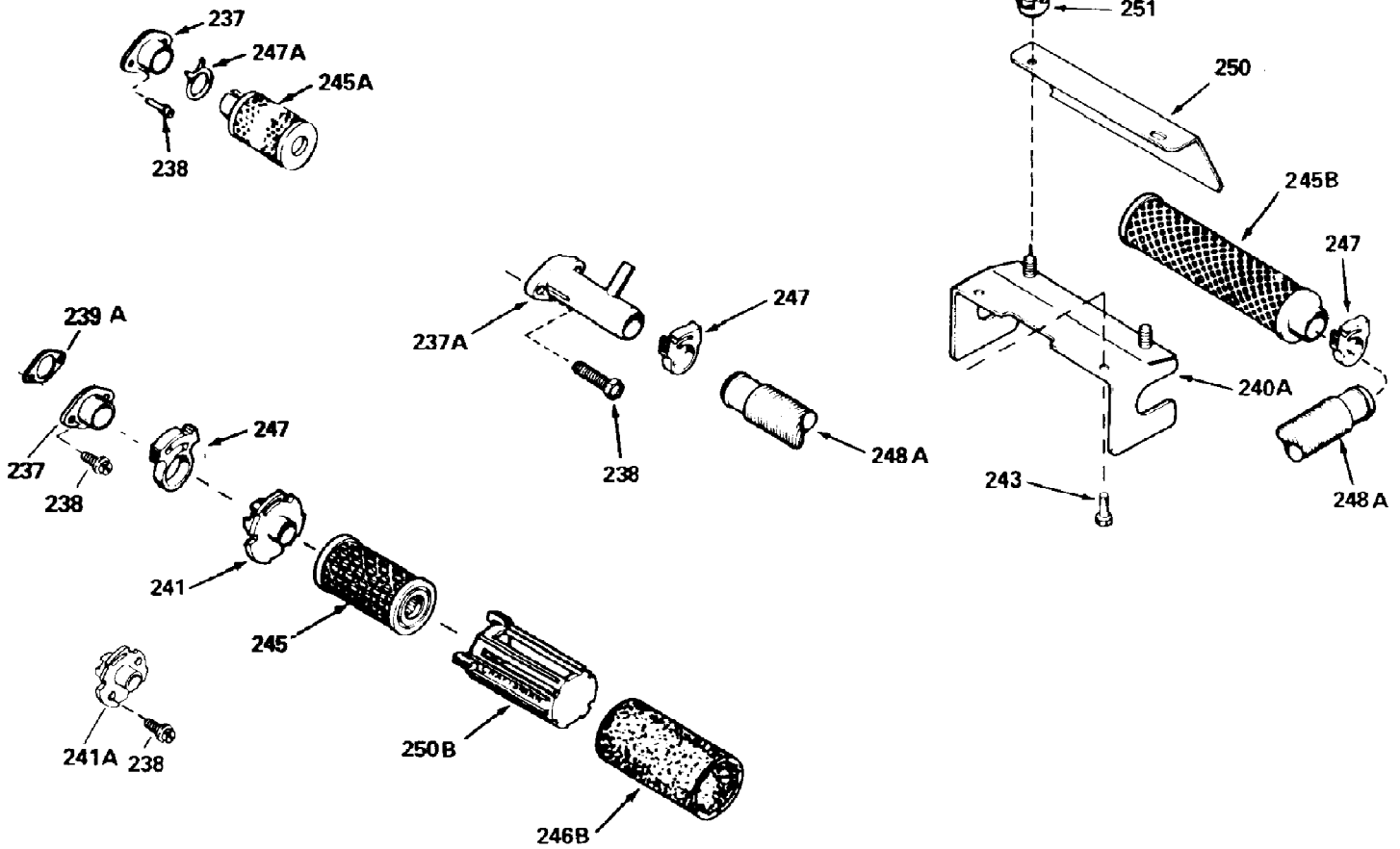
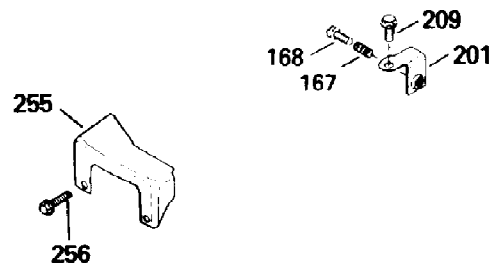
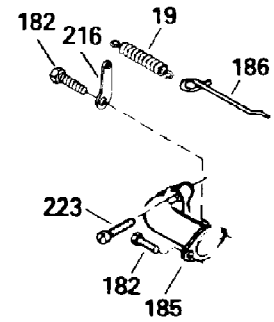
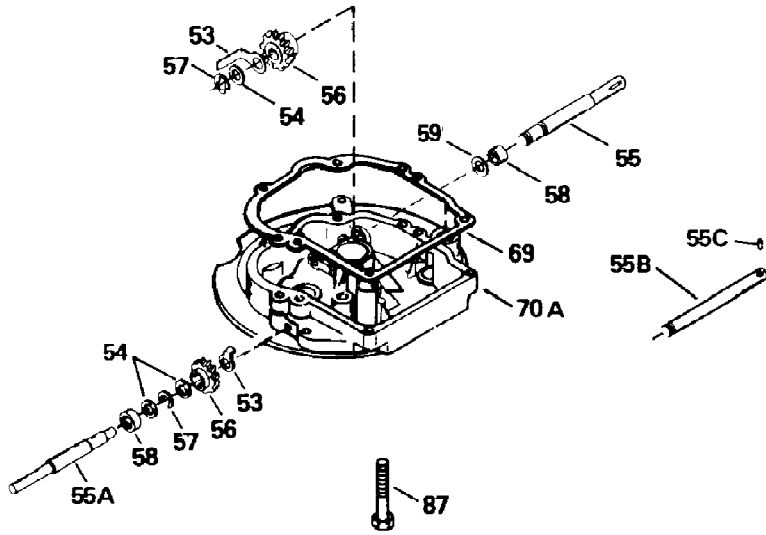
Ref #	Part Number	Qty	S/P/F	Description
118	730194	1		Rope Guide Kit Use as required with 3 4476 fuel tank
238	650806	1		Screw, 10-32 x 5/8"
246C	35705	1		Air Filter (also available in Package d Part #740013B)
260A	34859	1		Housing, Blower
262	650831	1		Screw, 1/4-20 x 15/32"
286	35009	1		Starter Screen
287A		1		Pop Rivet, (3/16" Dia.) Purchase locally
287A	650735	1		Screw, 10-24 x 3/8" (Use as required)
301	33032	1	/P	Fuel Cap (Red 1-1/2" ID) also available in Packaged Part #740005B
370A	34346	1	S/P	Decal, Instruction
370	550223	1	/P	Decal, Name
390A	590420A	1	/P	Rewind Starter Refer to Division 5, Section C, page 25 or Fiche 8, Grid G- 7 for breakdown

VIEW 3 OF 4



Ref #	Part Number	Qty	S/P/F	Description
189	650839	1		Screw, 1/4-20 x 3/8"
190	35831	1	/P	Lever, Brake
191	35015B	1	/P	S.E. Brake Bracket (Incl. 195)
194	32309	1	/P	Ring, Retaining
195	610973	1		Terminal Assy.
274	26754A	1	/P	* Gasket, Exhaust (Use as required)
277	650795	1		Screw, 1/4-20 x 2-1/4"
277A	30063	1	/P	Screw, T-30, 1/4-20 x 1/2"
370F	34387	1		Decal, Instruction (Optional)
415	730162	1		Muffler Adap.Kit (Incl. 274,277A) Use as req.
430	730574	1	S	Debris Screen Kit (Incl. 370F,431-433)(Opt.)
431	35596	1		Debris Screen (Optional)
432	35597	1		Debris Screen Bracket (Optional)
433	650910	1	/P	Screw, 8-32 x 1/4" (Optional)

VIEW 4 OF 4



Ref #	Part Number	Qty	S/P/F	Description
19	31361	1		Spring, Extension
69	35261	1	S/P	* Gasket, Mounting flange
182	6201	1	/P	Screw, 1/4-28 x 7/8"
185	31384A	1	/P	Pipe, Intake (Incl. 224)
186	32653	1		Link, Governor spring
216	33086	1		Lever, Speed adjusting
223	650451	1	/P	Screw, 1/4-20 x 1"
238	650806	1		Screw, 10-32 x 5/8"
246B	35435	1	/P	Filter, Pre-Air (Use as required)