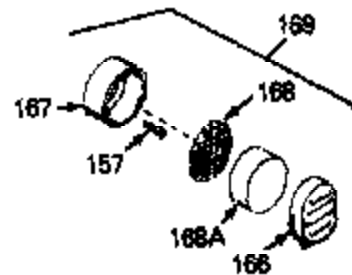
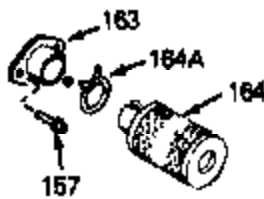
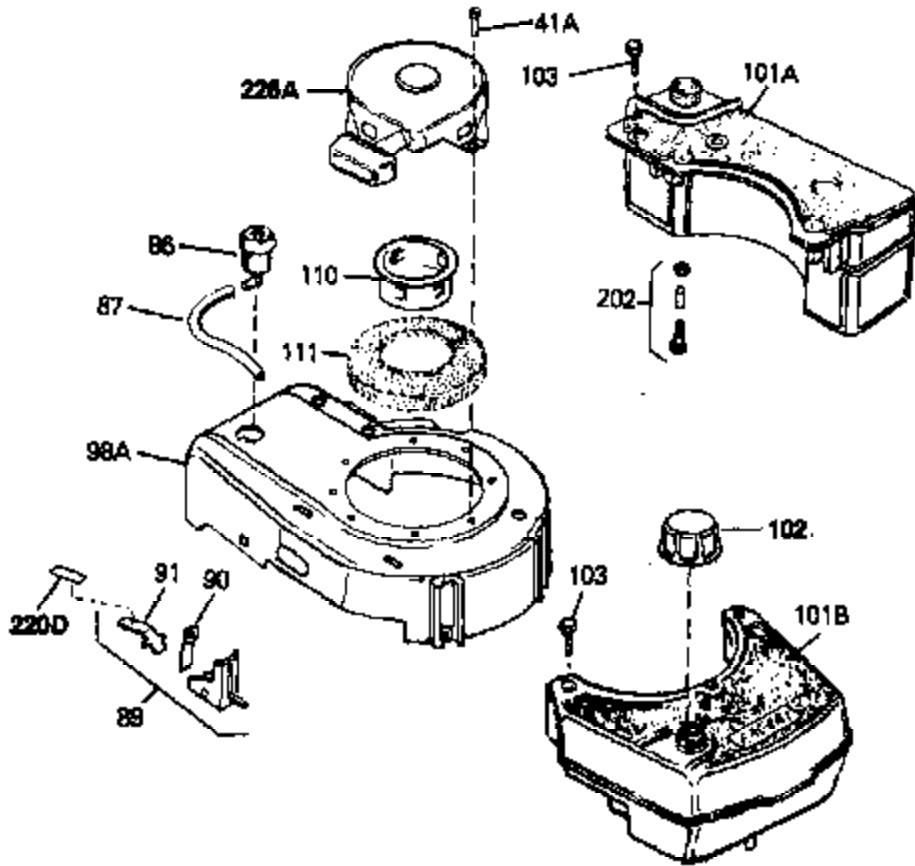




## Engine Parts List #1

| Ref # | Part Number | Qty | Description                                 |
|-------|-------------|-----|---------------------------------------------|
| 1     | 34975       | 0   | Cylinder Assy. (2-1/2" Bore)                |
| 2     | 26727       | 0   | Pin, Dowel                                  |
| 4     | 32600       | 0   | Seal, Oil                                   |
| 5     | 29314B      | 0   | Valve, Intake (Standard) (Conventional      |
| 5     | 29315C      | 0   | Valve, Exhaust (1/32" oversize)             |
| 6     | 29313C      | 0   | Valve, Exhaust (Standard) (Conventional     |
| 6     | 29315C      | 0   | Valve, Exhaust (1/32" oversize)             |
| 8     | 31671       | 0   | Cap, Upper valve spring                     |
| 9     | 31672       | 0   | Spring, Valve                               |
| 10    | 31673       | 0   | Cap, Lower valve spring                     |
| 11    | 34460A      | 0   | Crankshaft Assy.                            |
| 14A   | 32538B      | 0   | Piston & Pin Assy. (Std.) (2-1/2")          |
| 14A   | 32548B      | 0   | Piston & Pin Assy. (.010 oversize)          |
| 14A   | 32549B      | 0   | Piston & Pin Assy. (.020 oversize)          |
| 14    | 34514       | 0   | Piston, Pin & Ring Assy. (Std.) (2-1/2")    |
| 14    | 34515       | 0   | Piston, Pin & Ring Assy. (.010 oversize)    |
| 14    | 34516       | 0   | Piston, Pin & Ring Assy. (.020 oversize)    |
| 15    | 28986       | 0   | Ring Set, Piston (Std.) (2-1/2")            |
| 15    | 28987       | 0   | Ring Set, Piston (.010 oversize)            |
| 15    | 28988       | 0   | Ring Set, Piston (.020 oversize)            |
| 16    | 20381       | 0   | Ring, Piston pin retaining                  |
| 17    | 30963B      | 0   | Rod Assy., Connecting                       |
| 18    | 32610A      | 0   | Bolt, Connecting rod                        |
| 21    | 27241       | 0   | Lifter, Valve                               |
| 22    | 33148A      | 0   | Camshaft (Compression Release)              |
| 23    | 29914       | 0   | Pump Assy., Oil                             |
| 24    | 35261       | 0   | Gasket, Mounting flange                     |
| 25    | 35651A      | 0   | Flange Assy., Mounting                      |
| 26    | 26208       | 0   | Seal, Oil                                   |
| 27    | 28833       | 0   | Gasket, Oil drain                           |
| 28    | 30572       | 0   | Plug, Drain (Hex hd. 3/8-18)                |
| 29    | 650488      | 0   | Screw                                       |
| 31    | 30590A      | 0   | Washer, Flat                                |
| 32    | 30574       | 0   | Shaft, Mechanical governor                  |
| 33    | 30591       | 0   | Gear Assy., Governor                        |
| 34    | 29193       | 0   | Ring, Retaining                             |
| 35    | 30588A      | 0   | Spool, Governor                             |
| 36    | 31335       | 0   | Clamp, Governor lever                       |
| 37    | 28277       | 0   | Washer, Flat                                |
| 38    | 30589       | 0   | Rod, Governor                               |
| 39    | 31383A      | 0   | Lever, Governor                             |
| 40    | 650548      | 0   | Screw, Hex washer hd., 8-32 x 5/16          |
| 41    | 650802      | 0   | Screw, Hex washer hd. taptite, 1/4-20 x 5/8 |
| 42    | 611004      | 0   | Key, Flywheel (External Solid State -Gold)  |
| 46    | 29953C      | 0   | Gasket, Head                                |
| 47    | 34335       | 0   | Head, Cylinder                              |
| 48    | 33636       | 0   | Plug, Spark (Champion J-8 or equivalent)    |
| 49    | 6021A       | 0   | Screw, Hex flange hd., 5/16-18 x 1-1/2      |
| 49    | 650697A     | 0   | Screw, Hex flange hd., 5/16-18 x 2-1/2      |
| 50    | 610118      | 0   | Cover, Spark plug                           |
| 52    | 31619A      | 0   | Gasket, Breather                            |
| 53    | 31337A      | 0   | Breather Assy.                              |
| 54    | 31410       | 0   | Element, Breather                           |
| 55    | 650128      | 0   | Screw                                       |
| 61    | 31384A      | 0   | Pipe, Intake                                |
| 62    | 650451      | 0   | Screw                                       |
| 63    | 32649A      | 0   | Gasket, Intake                              |
| 70A   | 34336       | 0   | Link, Governor-to-throttle                  |

| Ref # | Part Number | Qty | Description                                 |
|-------|-------------|-----|---------------------------------------------|
| 70    | 34337       | 0   | Link, Governor spring                       |
| 71    | 31386       | 0   | Spring, Governor                            |
| 72    | 650774      | 0   | Screw, Hex hd., 1/4-20 x 2-3/8              |
| 72    | 650795      | 0   | Screw, Hex hd. cap, Sems, 1/4-20 x 2-5/16   |
| 72    | 650869      | 0   | Screw, Hex hd., 1/4-20 x 2-3/4              |
| 72    | 792005      | 0   | Screw, Hex hd., 1/4-20 x 2-1/2              |
| 80    | 34231       | 0   | Wire, Ground (One female fitting & one      |
| 81    | 26756       | 0   | Gasket, Carburetor                          |
| 82    | 29752       | 0   | Nut                                         |
| 83    | 6201        | 0   | Screw                                       |
| 92    | 28942       | 0   | Screw                                       |
| 93    | 27793       | 0   | Clip, Conduit                               |
| 95    | 30200       | 0   | Screw                                       |
| 96    | 33155A      | 0   | Control Assy., Speed                        |
| 97    | 610973      | 0   | Terminal Assy.                              |
| 98    | 34475       | 0   | Housing, Blower                             |
| 99    | 650831      | 0   | Screw, Hex washer hd. Powerlok thread,      |
| 100   | 30200       | 0   | Screw                                       |
| 102   | 33032       | 0   | Cap, Fuel filler (Red Plastic) (Spurt       |
| 104   | 26460       | 0   | Clamp, Fuel line                            |
| 105   | 29774       | 0   | Line, Fuel (Braided 8.25")                  |
| 105   | 30705       | 0   | Line, Fuel (Braided 16")                    |
| 105   | 30962       | 0   | Line, Fuel (Braided 32")                    |
| 105   | 34357       | 0   | Line, Fuel (Epichlorohydrin 6-3/4")         |
| 106   | 650815      | 0   | Washer, Belleville                          |
| 107   | 650816      | 0   | Nut, Flywheel                               |
| 109   | 34113       | 0   | Plug, Screen                                |
| 120   | 34080       | 0   | Spacer, Flywheel key                        |
| 121   | 730207      | 0   | Magneto-to-Solid State Conversion Kit       |
| 121   | 34443A      | 0   | Solid State Assy.                           |
| 136   | 650814      | 0   | Screw, Hex hd. Sems, 10-24 x 1              |
| 137   | 611046A     | 0   | Flywheel                                    |
| 154   | 34340       | 0   | Element, Air cleaner (Poly)                 |
| 155   | 34341A      | 0   | Cover, Air cleaner (Black)                  |
| 156   | 34339       | 0   | Body, Air cleaner                           |
| 157   | 650806      | 0   | Screw, Hex washer hd. shoulder, 10-32 x 5/8 |
| 162   | 34338       | 0   | Gasket, Air cleaner                         |
| 220   | 34346       | 0   | Decal, Instruction                          |
| 220   | 550223      | 0   | Decal, Name                                 |
| 223   | 631021      | 0   | Inlet Needle, Seat & Clip Assy.             |
| 224   | 632089      | 0   | Carburetor                                  |
| 226   | 590531      | 0   | Starter, Side mount rewind                  |
| 230   | 33238D      | 0   | Gasket Set                                  |



| Ref # | Part Number | Qty | Description                                 |
|-------|-------------|-----|---------------------------------------------|
| 41A   | 0           | 0   | Rivet, Pop (3/16" Dia.)                     |
| 41A   | 650735      | 0   | Screw                                       |
| 101A  | 34476       | 0   | Tank, Fuel (1 qt.)(Black Poly)              |
| 102   | 33032       | 0   | Cap, Fuel filler (Red Plastic) (Spurt       |
| 103   | 28763       | 0   | Screw, Hex washer hd. thread-forming, 10-24 |
| 157   | 650806      | 0   | Screw, Hex washer hd. shoulder, 10-32 x 5/8 |
| 202   | 730194      | 0   | Rope Guide Kit                              |



| Ref # | Part Number | Qty | Description                               |
|-------|-------------|-----|-------------------------------------------|
| 43    | 34422       | 0   | Deflector, Exhaust                        |
| 44    | 650760      | 0   | Screw                                     |
| 61    | 31384A      | 0   | Pipe, Intake                              |
| 64    | 33150       | 0   | Bracket, Control                          |
| 65    | 650688      | 0   | Screw, Hex hd., 10-32 x 1-5/16" (Drilled  |
| 66    | 32924       | 0   | Spring, Compression                       |
| 70    | 34337       | 0   | Link, Governor spring                     |
| 71    | 31386       | 0   | Spring, Governor                          |
| 72    | 650774      | 0   | Screw, Hex hd., 1/4-20 x 2-3/8            |
| 72    | 650795      | 0   | Screw, Hex hd. cap, Sems, 1/4-20 x 2-5/16 |
| 72    | 650869      | 0   | Screw, Hex hd., 1/4-20 x 2-3/4            |
| 72    | 792005      | 0   | Screw, Hex hd., 1/4-20 x 2-1/2            |
| 72A   | 30063       | 0   | Screw                                     |
| 73A   | 35603       | 0   | Muffler Kit                               |
| 76    | 26754A      | 0   | Gasket, Exhaust                           |
| 77    | 730162      | 0   | Kit, Muffler Adapter                      |
| 83    | 6201        | 0   | Screw                                     |
| 95    | 30200       | 0   | Screw                                     |
| 97    | 610973      | 0   | Terminal Assy.                            |
| 149   | 34267       | 0   | Dipstick, Oil (Twist Lock)                |
| 150   | 33590       | 0   | "O" Ring                                  |
| 151   | 650562      | 0   | Screw                                     |
| 152   | 34265       | 0   | Gasket, Oil fill tube                     |
| 152   | 34282       | 0   | "O" Ring (.612 I.D. x .812 O.D. x .103    |
| 153   | 34264       | 0   | Tube Assy., Oil fill (Plastic)            |