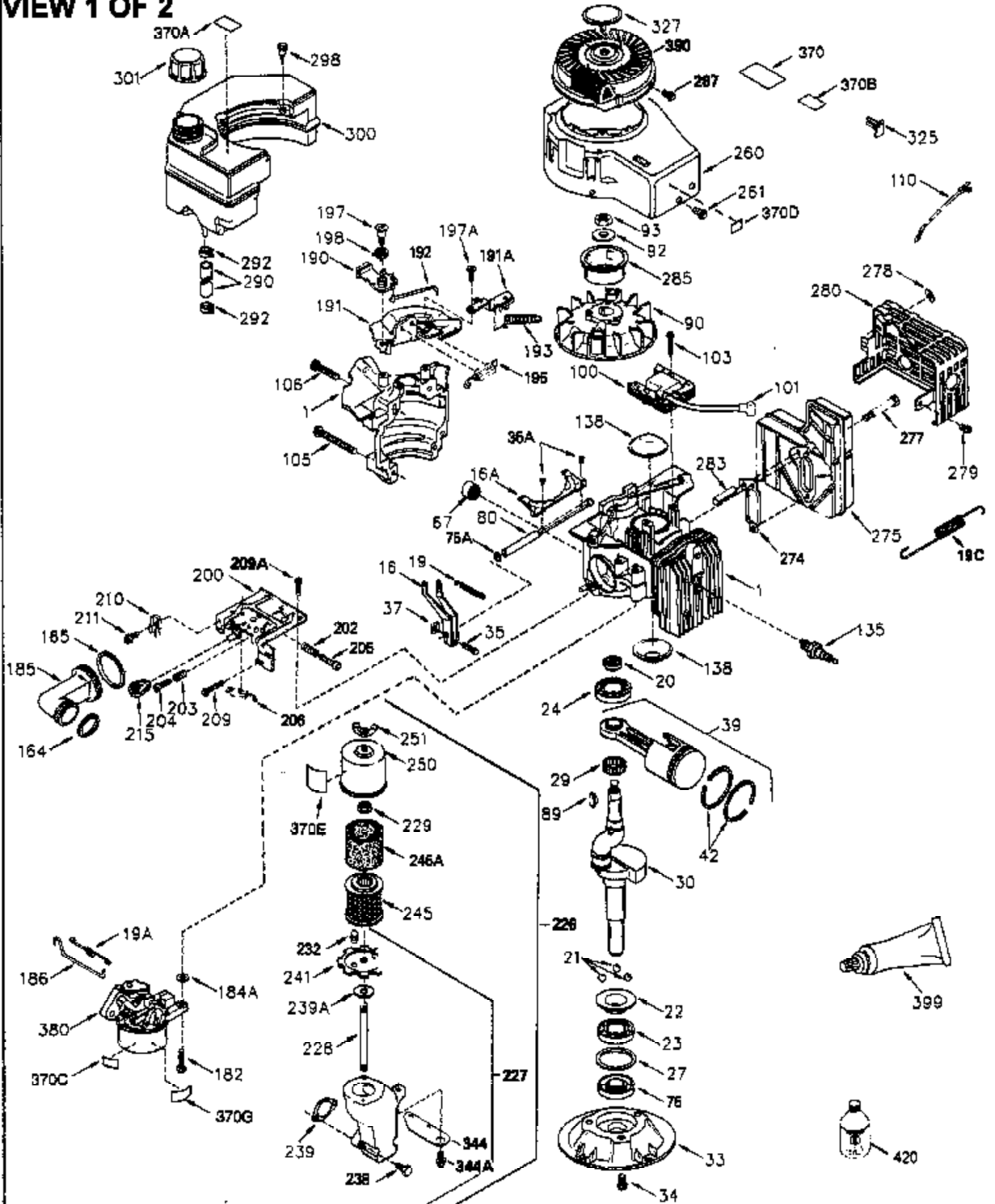


ILLUSTRATION SHOWS TYPICAL PARTS ONLY. ORDER BY PART NUMBER. PARTS NOT LISTED ARE SUPPLIED BY OEM.

VIEW 1 OF 2



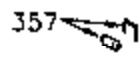
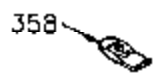
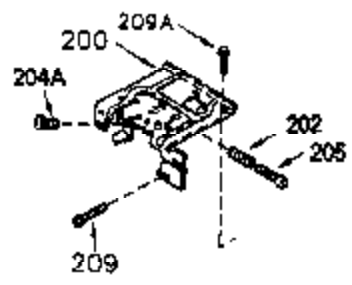
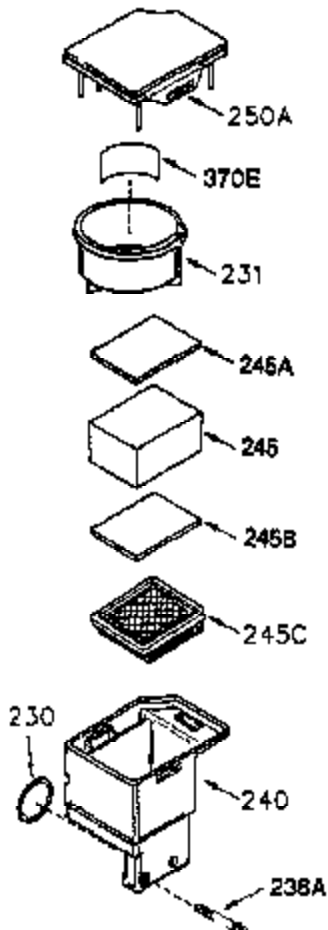
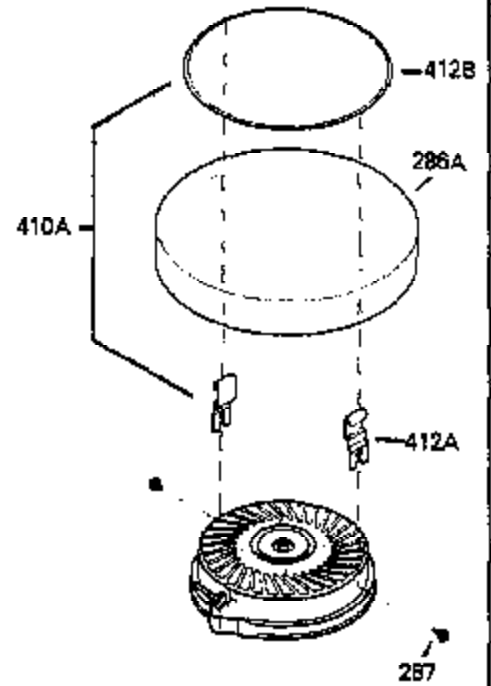
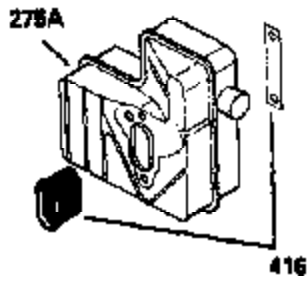
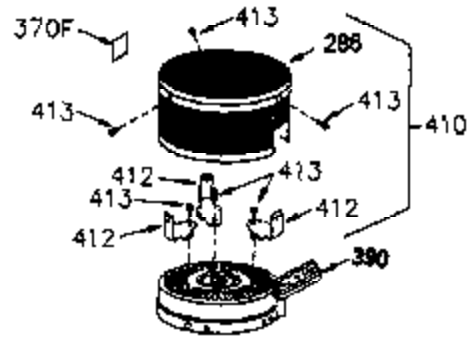
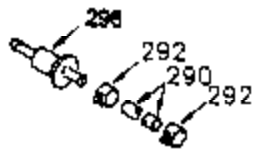
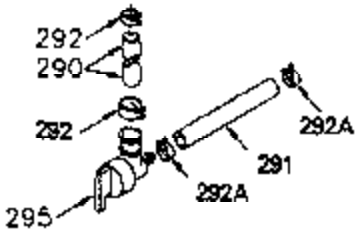
Engine Parts List #1

| Ref # | Part Number | Qty | Description |
|-------|-------------|-----|---|
| | 0 | | RPM High 3100 to 3400 RPM Low 2000 to 2300 |
| | 1 250288 | 1 | Cylinder (Incl. 67, 75A, 105, 106 & 1 38) |
| | 16 490306 | 1 | Governor Lever |
| | 16A 490304 | 1 | Governor Lever |
| | 19 490308 | 1 | Extension Spring |
| | 19A 490307 | 1 | Backlash Spring |
| | 20 510340 | 1 | Oil Seal |
| | 21 570673 | 3 | Ball Bearing |
| | 22 510338 | 1 | Slide Ring |
| | 23 530158 | 1 | Ball Bearing |
| | 24 530161 | 1 | Ball Bearing |
| | 27 530159 | 1 | Bearing Retainer |
| | 29 530164 | 1 | Bearing Strip (31 Needles) |
| | 30 290641 | 1 | Crankshaft |
| | 33 330179 | 1 | Adapter Plate |
| | 34 792067 | 3 | Screw, 5/16-18 x 1" |
| | 35 29826 | 1 | Screw, 10-32 x 3/4" |
| | 35A 650506 | 2 | Screw, 4-40 x 1/4" |
| | 37 29216 | 1 | Lock Nut, 10-32 |
| | 39 310279B | 1 | Piston & Rod Ass'y. (Incl. 29 & 42) |
| | 42 310239 | 2 | Ring Set |
| | 67 430233 | 1 | Fuel Filter |
| | 75A 510337 | 1 | Oil Seal |
| | 75 510339 | 1 | Oil Seal |
| | 80 490305 | 1 | Governor Shaft |
| | 89 611107 | 1 | Flywheel Key |
| | 90 611109 | 1 | Flywheel |
| | 92 650815 | 1 | Belleville Washer |
| | 93 650816 | 1 | Flywheel Nut |
| | 100 34443A | 1 | Solid State Ignition |
| | 101 610118 | 1 | Spark Plug Cover |
| | 103 651007 | 2 | Screw, Torx T-15, 10-24 x 15/16" |
| | 105 650892 | 2 | Screw, 5/16-18 x 2-3/16" |
| | 106 650891 | 2 | Screw, 5/16-18 x 1-5/8" |
| | 110 611106 | 1 | Ground Wire |
| | 135 35395 | 1 | Resistor Spark Plug (RJ19LM) |
| | 138 570683 | 2 | Port Cover |
| | 164 510341 | 1 | "O" Ring |
| | 165 510342 | 1 | "O" Ring |
| | 182 792067 | 2 | Screw, 5/16-18 x 1" |
| | 184A 27110 | 2 | Washer |
| | 185 570674 | 1 | Intake Pipe (Incl. 164 & 165) |
| | 186 490309 | 1 | Governor Link |
| | 200 570675A | 1 | Control Bracket (Incl. 202 thru 206) |
| | 202 32924 | 1 | Compression Spring |
| | 203 31342 | 1 | Compression Spring |
| | 204 650549 | 1 | Screw, 5-40 x 7/16" |
| | 205 650606 | 1 | Screw, 10-32 x 1-1/8" |
| | 206 610973 | 1 | Terminal |
| | 209 650735 | 1 | Screw, 10-24 x 3/8" |
| | 209A 650867 | 2 | Screw, 10-24 x 1/2" |
| | 210 27793 | 1 | Conduit Clip |
| | 211 650837 | 1 | Screw, 10-32 x 1/4" |
| | 226 730575A | 1 | Air Cleaner Kit (Incl. items marked # # sign) |
| | 227 450249A | 1 | ## A/C Elbow (Incl. items marked with # sign) |
| | 228 650901 | 1 | # Stud, 1/4-20 x 4.89" |
| | 232 0 | 2 | # Pop Rivet (Can be purchased locally) |
| | 238 650940 | 2 | ## Screw, 10-32 x 3/4" |

| Ref # | Part Number | Qty | Description |
|-------|-------------|-----|---|
| 239A | 34698A | 1 | # Air Cleaner Gasket |
| 239 | 35815 | 1 | ## Air Cleaner Gasket |
| 241 | 34699 | 1 | # Air Cleaner Collar |
| 245 | 34782 | 1 | ## Air Cleaner Filter |
| 250 | 34781 | 1 | ## Air Cleaner Cover |
| 251 | 650513 | 1 | ## Wing Nut, 1/4-20 |
| 260 | 350430 | 1 | Blower Housing |
| 261 | 650894 | 4 | Screw, 5/16-18 x 5/8" |
| 274 | 510343A | 1 | Exhaust Gasket |
| 275 | 390316 | 1 | Muffler |
| 277 | 650893 | 2 | Screw, 5/16-18 x 3-13/64" |
| 283 | 390315 | 1 | E.G.R. Tube |
| 285 | 34449A | 1 | Starter Cup |
| 287 | 650926 | 4 | Screw, 8-32 x 21/64" |
| 290 | 29774 | 1 | Fuel Line |
| 292 | 26460 | 2 | Fuel Line Clamp |
| 298 | 650895 | 3 | Screw, 10-32 x 5/8" |
| 300 | 410258 | 1 | Fuel Tank |
| 301 | 410259A | 1 | Fuel Cap |
| 344A | 650894 | 1 | # Screw, 5/16-18 x 5/8" |
| 344 | 450256 | 1 | # Air Cleaner Brace |
| 370 | 550234 | 1 | Bowl Nut Decal |
| 370K | 36695 | 1 | Starter Decal |
| 380 | 632434 | 1 | Carburetor (Incl. 164) |
| 390 | 590732 | 1 | Rewind Starter (NOTE: This engine could have been built with 590738 starter. Refer to the design of the rope pulley strength ribs for part identification. Individual starter parts do not interchange. Refer to service bulletin 116.) |
| 399 | 510334 | 1 | Gasket Eliminator (Loctite 515) |
| 420 | 730227A | 1 | 2-Cycle Oil (8 oz.) |

ILLUSTRATION SHOWS TYPICAL PARTS ONLY. ORDER BY PART NUMBER. PARTS NOT LISTED ARE SUPPLIED BY OEM.

VIEW 2 OF 2



| Ref # | Part Number | Qty | Description |
|-------|-------------|-----|---|
| | 0 | | RPM High 3100 to 3400 RPM Low 2000 to 2300 |
| 200 | 570675A | 1 | Control Bracket (Incl. 202 thru 206) |
| 202 | 32924 | 1 | Compression Spring |
| 205 | 650606 | 1 | Screw, 10-32 x 1-1/8" |
| 209A | 650867 | 2 | Screw, 10-24 x 1/2" |
| 209 | 650735 | 1 | Screw, 10-24 x 3/8" |
| 245 | 34782 | 1 | ## Air Cleaner Filter |
| 287 | 650926 | 4 | Screw, 8-32 x 21/64" |
| 290 | 29774 | 1 | Fuel Line |
| 292 | 26460 | 2 | Fuel Line Clamp |
| 357 | 36412 | 1 | Starter Rope Retainer |
| 370K | 36695 | 1 | Starter Decal |
| 390 | 590732 | 1 | Rewind Starter (NOTE: This engine could have been built with 590738 starter. Refer to the design of the rope pulley strength ribs for part identification. Individual starter parts do not interchange. Refer to service bulletin 116.) |