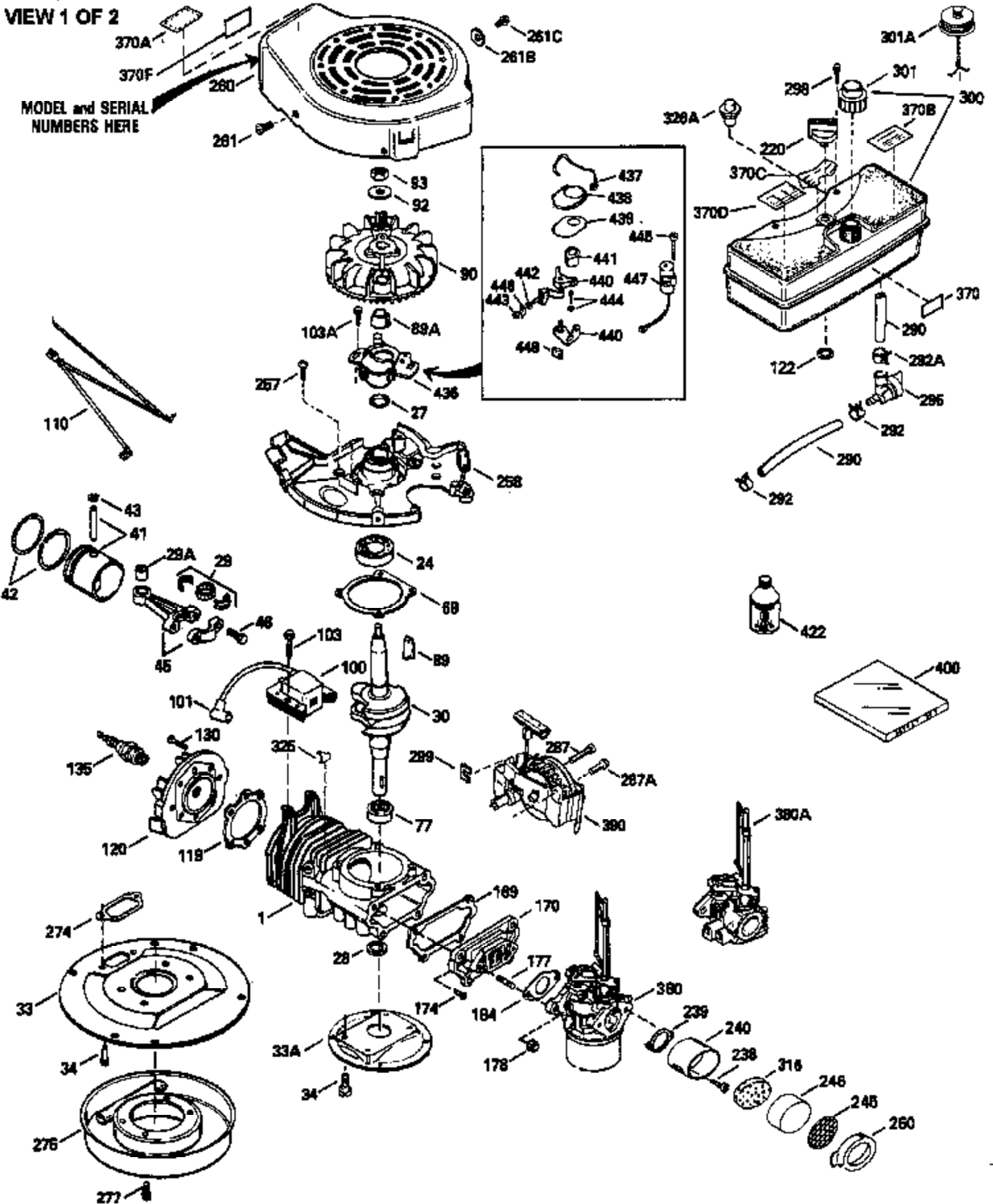


ILLUSTRATION SHOWS TYPICAL PARTS ONLY. ORDER BY PART NUMBER. PARTS NOT LISTED ARE SUPPLIED BY OEM.

VIEW 1 OF 2

MODEL and SERIAL
NUMBERS HERE

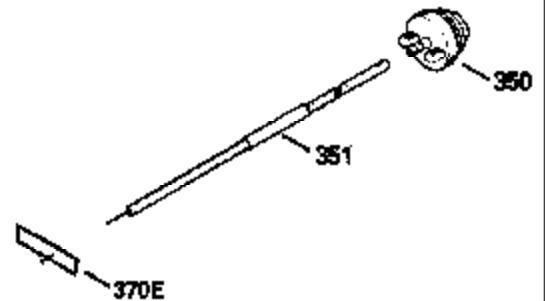
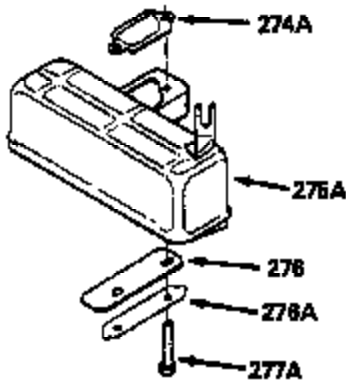
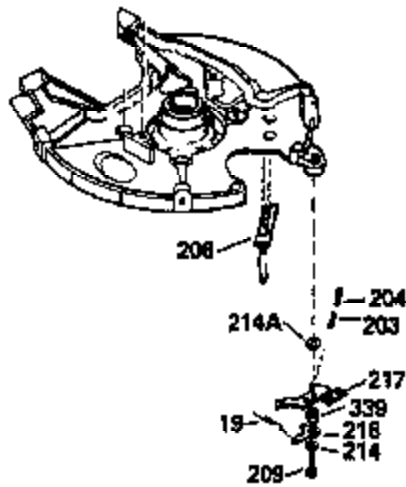
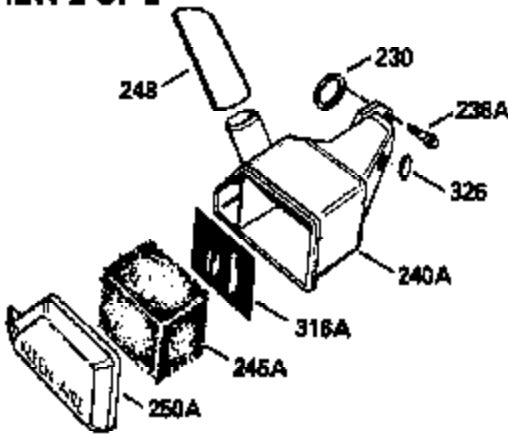


| Ref # | Part Number | Qty | Description |
|-------|-------------|-----|--|
| | 1 | | Cylinder (Order s/b if replacement is req.) |
| 24 | 530110 | | Ball Bearing |
| 27 | 510319 | | Oil Seal |
| 28 | 28427 | | Oil Seal |
| 29A | 530104A | | Cartridge Bearing |
| 29 | 530150 | | Needle Bearing & Liner Set (37 Needle s) |
| 30 | 290570 | | Crankshaft |
| 30 | 330177 | | Adapter Plate (8" B.C.) |
| 34 | 650797 | | Screw, 5/16-18 x 1/2" |
| 41 | 310272A | | Piston & Pin Ass'y. (.010" OS) |
| 41 | 310283A | | Piston & Pin Ass'y. (Std.)(Incl. 43) |
| 42 | 310190 | | Ring Set (Std.) |
| 42 | 310273 | | Ring Set (.010" OS) |
| 43 | 310167 | | Piston Pin Retaining Ring |
| 45 | 310235B | | Connecting Rod Ass'y. (Incl. 29, 29A & 46) |
| 46 | 650633 | | Connecting Rod Bolt |
| 69 | 510292A | | * Cylinder Cover Gasket |
| 77 | 780097 | | Cartridge Bearing |
| 89A | 611032 | | Adapter Sleeve |
| 90 | 611112 | | Flywheel |
| 92 | 650815 | | Belleville Washer |
| 93 | 650390 | | Flywheel Nut |
| 100 | 34443A | | Solid State Ignition (Incl. 101) |
| 100 | 730207 | | Magneto to Solid State Conversion Kit (Includes solid state module, solid state flywheel key, and instructions.)(Use as required on external ignition engines only.) |
| 101 | 610118 | | Spark Plug Cover |
| 103 | 650814 | | Screw, Torx T-15, 10-24 x 1" |
| 110 | 611061 | | Ground Wire |
| 119 | 510274A | | * Cylinder Head Gasket |
| 120 | 250240B | | Cylinder Head |
| 130 | 650477 | | Screw, Torx T-30, 1/4-20 x 3/4" |
| 135 | 33636 | | Resistor Spark Plug |
| 169 | 510323A | | * Cover Plate Gasket |
| 170 | 470152A | | Reed & Cover Plate (Incl. 178) |
| 174 | 650579 | | Screw, Torx T-25, 10-24 x 1/2" |
| 178 | 650456 | | Nut, 1/4-20 |
| 184 | 510110A | | * Carburetor Gasket |
| 192 | 34966 | | Brake Control Link |
| 257 | 650911 | | Screw, Torx T-30, 1/4-20 x 5/8" |
| 258 | 350427 | | Blower Housing Base (Incl. 27) |
| 260 | 350418 | | Blower Housing |
| 261 | 650958 | | Screw, 114-20 x 7/16" |
| 261B | 650854 | | Washer |
| 274 | 510314 | | Exhaust Gasket |
| 275 | 390300 | | Muffler |
| 277 | 650911 | | Screw, Torx T-30, 1/4-20 x 5/8" |
| 290 | 34357 | | Fuel Line |
| 292A | 430232 | | Fuel Line Clamp |
| 292 | 26460 | | Fuel Line Clamp |
| 295 | 430228 | | Fuel Shut-Off Valve |
| 298 | 650803 | | Screw, 10-32 x 7/8" |
| 300 | 410241 | | Fuel Tank (Incl. 301) |
| 301A | 410224 | | Fuel Cap |
| 326A | 570663 | | Fuel Tank Plug |
| 370D | 550212 | | Fuel Mix Decal |
| 370B | 550213 | | Warning Decal |

| Ref # | Part Number | Qty | Description |
|-------|-------------|-----|--|
| 380 | 632342 | | Carburetor (Incl. 184) (Refer to Division 5, Section A, page A1-42 or Fiche 23B,Grid F-13 for breakdown) |
| 400 | 510295A | | * Gasket Set (Incl. items marked *) |
| 422 | 730227A | | 2-Cycle Oil (8 oz.) |

ILLUSTRATION SHOWS TYPICAL PARTS ONLY. ORDER BY PART NUMBER. PARTS NOT LISTED ARE SUPPLIED BY OEM.

VIEW 2 OF 2



| Ref # | Part Number | Qty | Description |
|-------|-------------|-----|--|
| | 92 650815 | | Belleville Washer |
| | 93 650390 | | Flywheel Nut |
| | 189A 650911 | | Screw, Torx T-30, 1/4-20 x 5/8" (As r eq.) |
| | 189 650773 | | Screw, 1/4-20 x 1/2" |
| | 190 35831 | | Brake Lever |
| | 191 570671 | | S.E. Brake Bracket |
| | 192 34966 | | Brake Control Link |
| | 193 34965 | | Brake Spring |
| | 197 32309 | | Retaining Ring |
| | 230 34338 | | Air Cleaner Gasket |
| | 238A 650806 | | Screw, 10-32 x 5/8" |
| | 240A 450234 | | Air Cleaner Body |
| | 245A 450236 | | Air Cleaner Element |
| | 248 33008 | | Air Cleaner Tube |
| | 250A 33007 | | Air Cleaner Cover |
| | 261A 650853 | | Screw, Torx T-30, 1/4-20 x 1/2" |
| | 261B 650854 | | Washer |
| | 285 590551 | | Starter Cup |
| | 287B | | Rivet (Can be purchased locally) |
| | 316A 450235 | | Mesh Screen |
| | 326 450237 | | Button Plug |
| | 329 610973 | | Terminal |
| | 350 570682 | | Primer Bulb |
| | 351 570656 | | Primer Line |
| | 370E 36260 | | Primer Decal |
| | 390A 590420 | | Rewind Starter (Refer to Division 5,SectionC, page 25 or Fiche 23B, Grid G-11 for breakdown) |