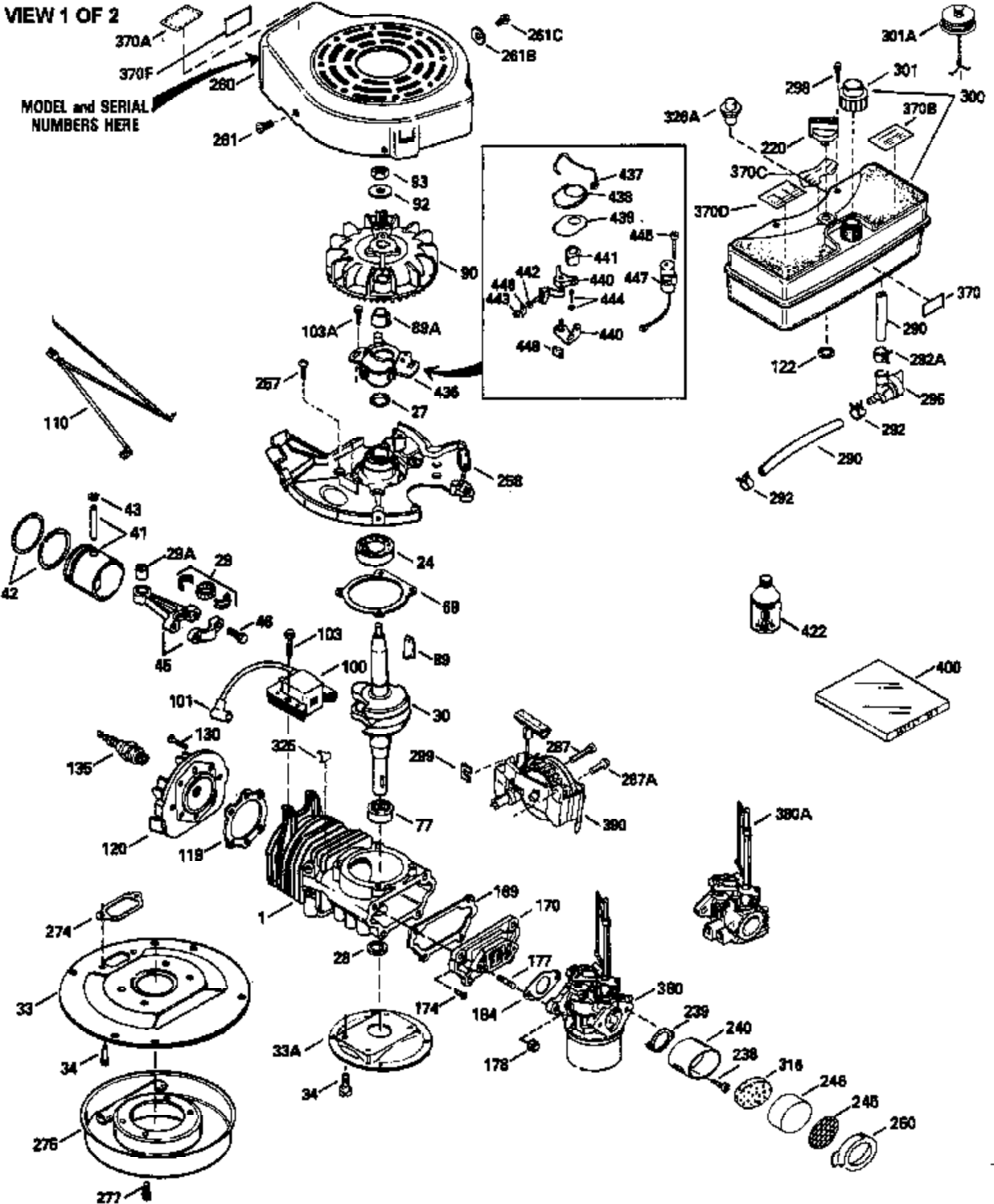


ILLUSTRATION SHOWS TYPICAL PARTS ONLY. ORDER BY PART NUMBER. PARTS NOT LISTED ARE SUPPLIED BY OEM.

VIEW 1 OF 2

MODEL and SERIAL  
NUMBERS HERE



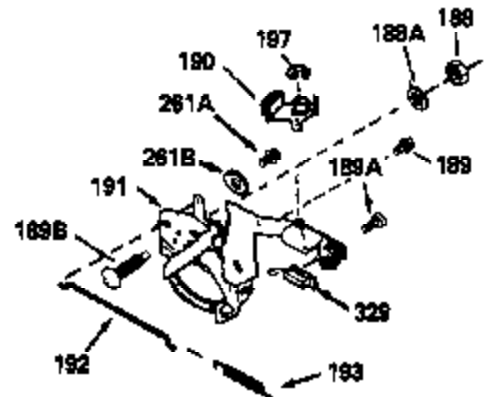
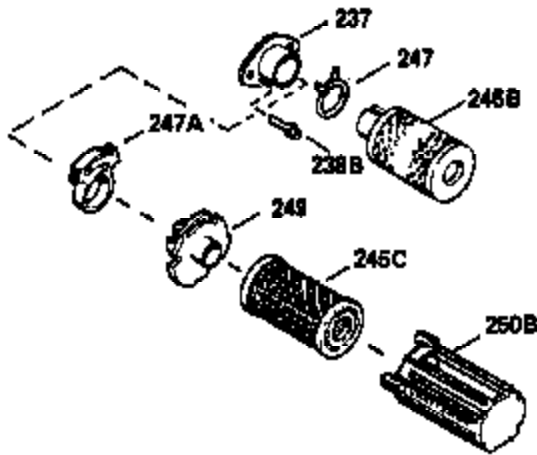
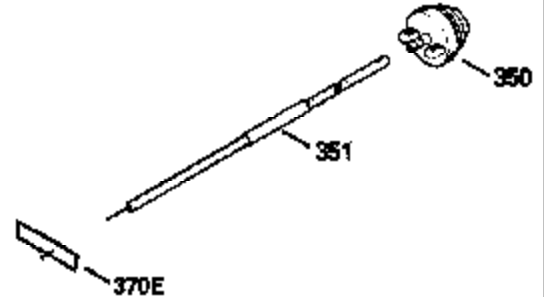
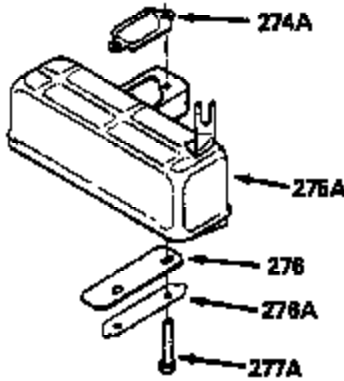
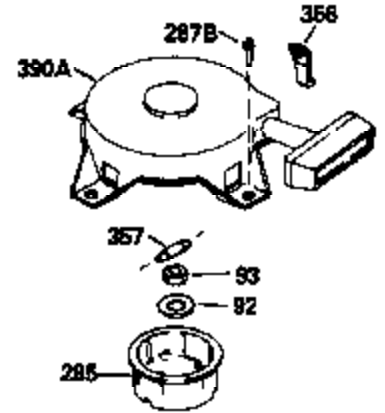
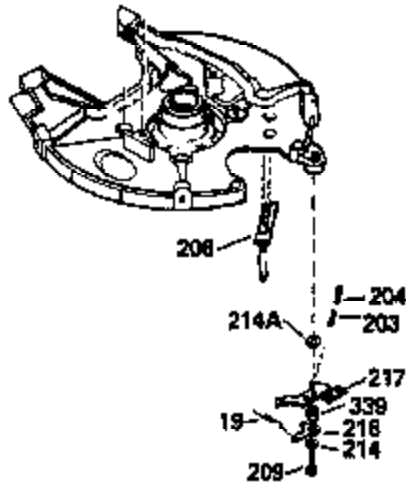
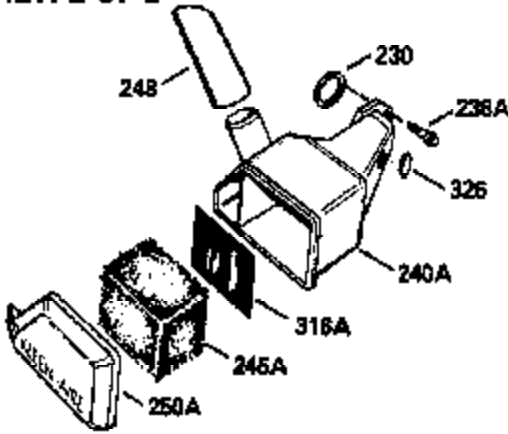
## Engine Parts List #1

| Ref # | Part Number | Qty | Description  |
|-------|-------------|-----|--|
|       | 1           |     | Cylinder (Order s/b if replacement is req.)  |
|       | 24 530110   |     | Ball Bearing   |
|       | 27 510319   |     | Oil Seal   |
|       | 28 28427    |     | Oil Seal   |
|       | 29 530151   |     | Needle Bearing & Liner Set (30 Needle s)   |
|       | 29A 530104A |     | Cartridge Bearing  |
|       | 30 290578   |     | Crankshaft & Rod Ass'y. (Incl. 45)   |
|       | 33 330175   |     | Adapter Plate (8" B.C.)  |
|       | 34 650797   |     | Screw, 5/16-18 x 1/2"  |
|       | 41 310283A  |     | Piston & Pin Ass'y. (Std.)(Incl. 43)   |
|       | 41 310272A  |     | Piston & Pin Ass'y. (.010" OS)   |
|       | 42 310190   |     | Ring Set (Std.)  |
|       | 42 310273   |     | Ring Set (.010" OS)  |
|       | 43 310167   |     | Piston Pin Retaining Ring  |
|       | 45 310263   |     | Connecting Rod Ass'y. (Incl. 29, 29A & 46)   |
|       | 46 650633   |     | Connecting Rod Bolt  |
|       | 69 510292A  |     | * Cylinder Cover Gasket  |
|       | 77 780097   |     | Cartridge Bearing  |
|       | 89A 611014A |     | Adapter Sleeve   |
|       | 90 611046A  |     | Flywheel   |
|       | 92 650815   |     | Belleville Washer  |
|       | 93 650390   |     | Flywheel Nut   |
|       | 100 34431   |     | Lamination & Coil Ass'y. (This coil has been superseded to 730207 solid state conversion kit.)   |
|       | 100 730207  |     | Magneto to Solid State Conversion Kit (Includes solid state module, solid state flywheel key, and instructions.)(Use as required on external ignition engines only.) |
|       | 101 610118  |     | Spark Plug Cover   |
|       | 103A 650747 |     | Screw, 1/4-20 x 3/4"   |
|       | 110 611023  |     | Ground Wire  |
|       | 119 510274A |     | * Cylinder Head Gasket   |
|       | 120 250240B |     | Cylinder Head  |
|       | 130 650477  |     | Screw, Torx T-30, 1/4-20 x 3/4"  |
|       | 135 33636   |     | Resistor Spark Plug  |
|       | 169 510323A |     | * Cover Plate Gasket   |
|       | 170 470153  |     | Reed Cover Plate (Incl. 178)   |
|       | 174 650579  |     | Screw, Torx T-25, 10-24 x 1/2"   |
|       | 177 650700  |     | Carburetor Mounting Stud   |
|       | 178 29752   |     | Nut & Lock Washer, 1/4-28  |
|       | 184 510110A |     | * Carburetor Gasket  |
|       | 239 27272A  |     | Air Cleaner Gasket   |
|       | 257 650561  |     | Screw, 1/4-20 x 5/8"   |
|       | 258 350406  |     | Blower Housing Base (Incl. 27)   |
|       | 260 350407  |     | Blower Housing   |
|       | 261 650958  |     | Screw, 1/4-20 x 7/16"  |
|       | 261B 650854 |     | Washer   |
|       | 274 510314  |     | Exhaust Gasket   |
|       | 275 390297  |     | Muffler  |
|       | 277 650911  |     | Screw, Torx T-30, 1/4-20 x 5/8"  |
|       | 298 650803  |     | Screw, 10-32 x 7/8"  |
|       | 370B 550213 |     | Warning Decal  |
|       | 370D 550212 |     | Fuel Mix Decal   |
|       | 380 632170  |     | Carburetor (Incl. 184) (Refer to Division 5, Section A, page A1-28 or Fiche 23B,Grid F-11 for breakdown)   |
|       | 400 510295A |     | * Gasket Set (Incl. items marked *)  |
|       | 422 730227A |     | 2-Cycle Oil (8 oz.)  |

| Ref # | Part Number | Qty | Description                               |
|-------|-------------|-----|---|
| 436   | 611006      |     | Stator Plate Ass'y. (Incl. 437 thru 4 48) |
| 437   | 30551       |     | Breaker Box Cover Spring                  |
| 438   | 610947      |     | Dust Cover                                |
| 439   | 610948      |     | Dust Cover Gasket                         |
| 440   | 30547A      |     | Breaker Contact                           |
| 441   | 30552       |     | Breaker Cam                               |
| 442   | 610385      |     | Washer                                    |
| 443   | 610408      |     | Nut, 8 32                                 |
| 444   | 29181       |     | Breaker Point Screw                       |
| 445   | 610593      |     | Screw, 8-32 x 13/16"                      |
| 446   | 33356       |     | Ground Terminal                           |
| 447   | 30548B      |     | Condenser                                 |
| 448   | 30549       |     | Felt Cam Wiper                            |

ILLUSTRATION SHOWS TYPICAL PARTS ONLY. ORDER BY PART NUMBER. PARTS NOT LISTED ARE SUPPLIED BY OEM.

VIEW 2 OF 2



| Ref # | Part Number | Qty | Description  |
|-------|-------------|-----|--|
|       | 19 570417   |     | Extension Spring   |
|       | 92 650815   |     | Belleville Washer  |
|       | 93 650390   |     | Flywheel Nut   |
|       | 189A 650911 |     | Screw, Torx T-30, 1/4-20 x 5/8" (As r eq.)   |
|       | 200 570420  |     | Boden Wire Bracket   |
|       | 203 31342   |     | Compression Spring   |
|       | 204 650549  |     | Screw, 5-40 x 7/16"  |
|       | 206 610973  |     | Terminal   |
|       | 209 650544  |     | Screw, Torx T-25, 10-24 x 7/8"   |
|       | 210 27793   |     | Conduit Clip   |
|       | 211 28942   |     | Screw, 10-32 x 3/8"  |
|       | 214A 570422 |     | Washer   |
|       | 214 650583  |     | Washer   |
|       | 216 570415  |     | R.P.M. Adjusting Lever   |
|       | 217 570421  |     | Control Lever  |
|       | 230 34338   |     | Air Cleaner Gasket   |
|       | 238A 650806 |     | Screw, 10-32 x 5/8"  |
|       | 240A 450234 |     | Air Cleaner Body   |
|       | 245A 450236 |     | Air Cleaner Element  |
|       | 248 33008   |     | Air Cleaner Tube   |
|       | 250A 33007  |     | Air Cleaner Cover  |
|       | 261B 650854 |     | Washer   |
|       | 285 590551  |     | Starter Cup  |
|       | 287B        |     | Rivet (Can be purchased locally)   |
|       | 316A 450235 |     | Mesh Screen  |
|       | 326 450237  |     | Button Plug  |
|       | 339 570412  |     | Spacer   |
|       | 390A 590420 |     | Rewind Starter (Refer to Division 5, Section C, page 25 or Fiche 23B, Grid G-11 for breakdown) |