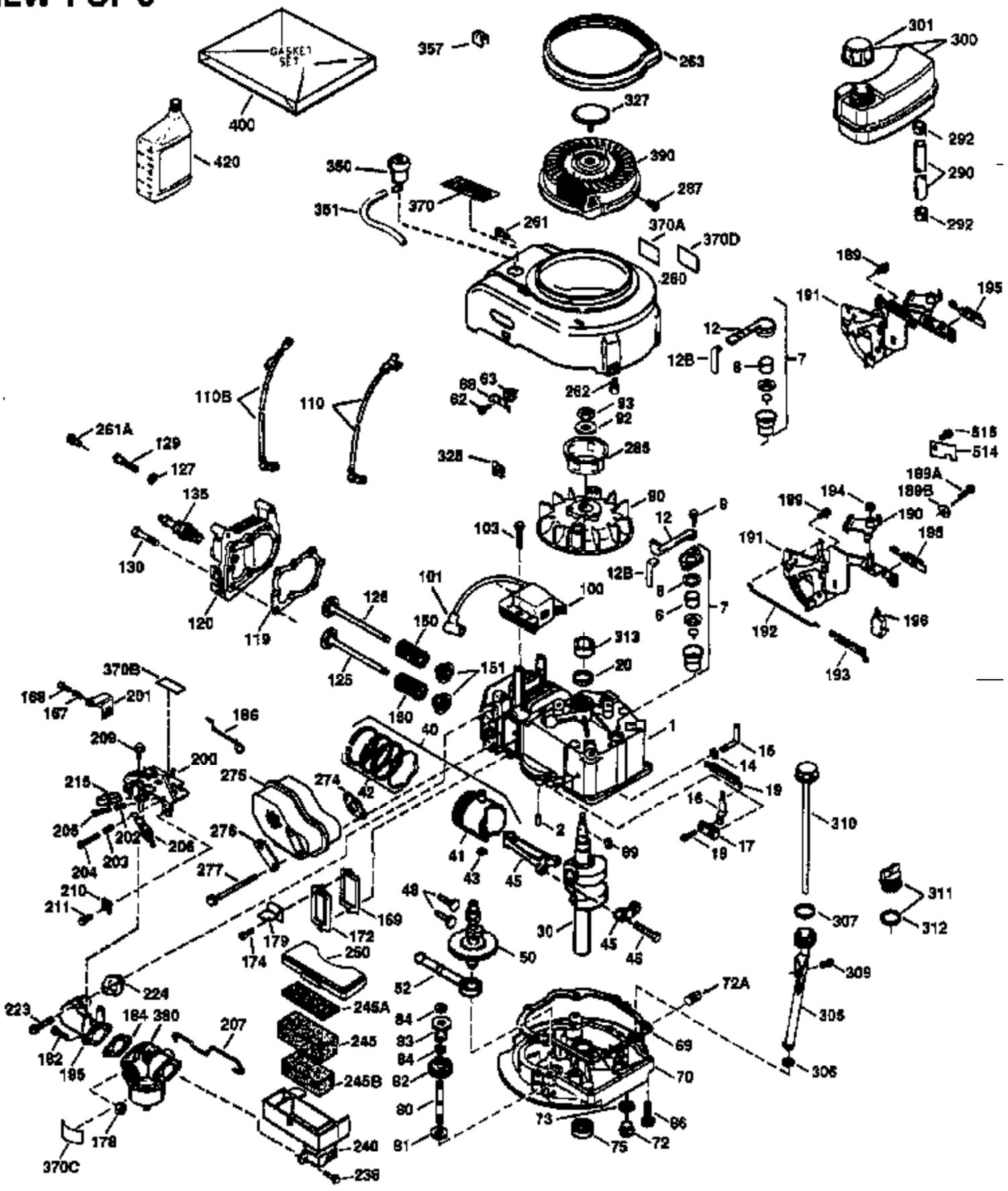


ILLUSTRATION SHOWS TYPICAL PARTS ONLY. ORDER BY PART NUMBER. PARTS NOT LISTED ARE SUPPLIED BY OEM.

**VIEW 1 OF 3**



## Engine Parts List #1

| Ref # | Part Number | Qty | Description                               |
|-------|-------------|-----|---|
| 1     | 36478       | 1   | Cylinder (Incl. 2 & 20)                   |
| 2     | 26727       | 2   | Dowel Pin                                 |
| 6     | 33734       | 1   | Breather Element                          |
| 7     | 34214A      | 1   | Breather Ass'y. (Incl. 6, 8, 9 & 12)      |
| 8     | 33735       | 1   | * Breather Gasket                         |
| 9     | 30200       | 2   | Screw, 10-24 x 9/16"                      |
| 12    | 33886       | 1   | Breather Tube                             |
| 14    | 28277       | 1   | Washer                                    |
| 15    | 30589       | 1   | Governor Rod (Incl. 14)                   |
| 16    | 31383A      | 1   | Governor Lever                            |
| 17    | 31335       | 1   | Governor Lever Clamp                      |
| 18    | 650548      | 1   | Screw, 8-32 x 5/16"                       |
| 19    | 36281       | 1   | Extension Spring                          |
| 20    | 32600       | 1   | Oil Seal                                  |
| 30    | 35606       | 1   | Crankshaft                                |
| 40    | 36073       | 1   | Piston, Pin & Ring Set (Std.)             |
| 40    | 36074       | 1   | Piston, Pin & Ring Set (.010" OS)         |
| 40    | 36075       | 1   | Piston, Pin & Ring Set (.020" OS)         |
| 41    | 36070       | 1   | Piston & Pin Ass'y. (Std.) (Incl. 43)     |
| 41    | 36071       | 1   | Piston & Pin Ass'y. (.010" OS) (Incl. 43) |
| 41    | 36072       | 1   | Piston & Pin Ass'y. (.020" OS) (Incl. 43) |
| 42    | 36076       | 1   | Ring Set (Std.)                           |
| 42    | 36077       | 1   | Ring Set (.010" OS)                       |
| 42    | 36078       | 1   | Ring Set (.020" OS)                       |
| 43    | 20381       | 2   | Piston Pin Retaining Ring                 |
| 45    | 30963B      | 1   | Connecting Rod Ass'y. (Incl. 46)          |
| 46    | 32610A      | 2   | Connecting Rod Bolt                       |
| 48    | 27241       | 2   | Valve Lifter                              |
| 50    | 35992       | 1   | Camshaft (MCR)                            |
| 52    | 29914       | 1   | Oil Pump Ass'y.                           |
| 62    | 650760      | 1   | Screw, 8-32 x 3/8"                        |
| 69    | 35261       | 1   | * Mounting Flange Gasket                  |
| 70    | 34311D      | 1   | Mounting Flange (Incl. 72 thru 83)        |
| 72    | 36083       | 1   | Oil Drain Plug                            |
| 75    | 27897       | 1   | Oil Seal                                  |
| 80    | 30574A      | 1   | Governor Shaft                            |
| 81    | 30590A      | 1   | Washer                                    |
| 82    | 30591       | 1   | Governor Gear Ass'y. (Incl. 81)           |
| 83    | 30588A      | 1   | Governor Spool                            |
| 86    | 650488      | 6   | Screw, 1/4-20 x 1-1/4"                    |
| 89    | 611004      | 1   | Flywheel Key                              |
| 90    | 611112      | 1   | Flywheel                                  |
| 92    | 650815      | 1   | Belleville Washer                         |
| 93    | 650816      | 1   | Flywheel Nut                              |
| 100   | 34443A      | 1   | Solid State Ignition                      |
| 101   | 610118      | 1   | Spark Plug Cover                          |
| 103   | 650814      | 2   | Screw, Torx T-15, 10-24 x 1"              |
| 110   | 34961       | 1   | Ground Wire                               |
| 119   | 36229       | 1   | * Cylinder Head Gasket                    |
| 120   | 36268       | 1   | Cylinder Head                             |
| 125   | 36471       | 1   | Exhaust Valve (Std.) (Incl. 151)          |
| 125   | 36472       | 1   | Exhaust Valve (1/32" OS) (Incl. 151)      |
| 126   | 29314B      | 1   | Intake Valve (Std.) (Incl. 151)           |
| 126   | 29315C      | 1   | Intake Valve (1/32" OS) (Incl. 151)       |
| 130   | 6021A       | 8   | Screw, 5/16-18 x 1-1/2"                   |
| 135   | 35395       | 1   | Resistor Spark Plug (RJ19LM)              |
| 150   | 35991       | 2   | Valve Spring                              |
| 151   | 31673       | 2   | Valve Spring Cap                          |

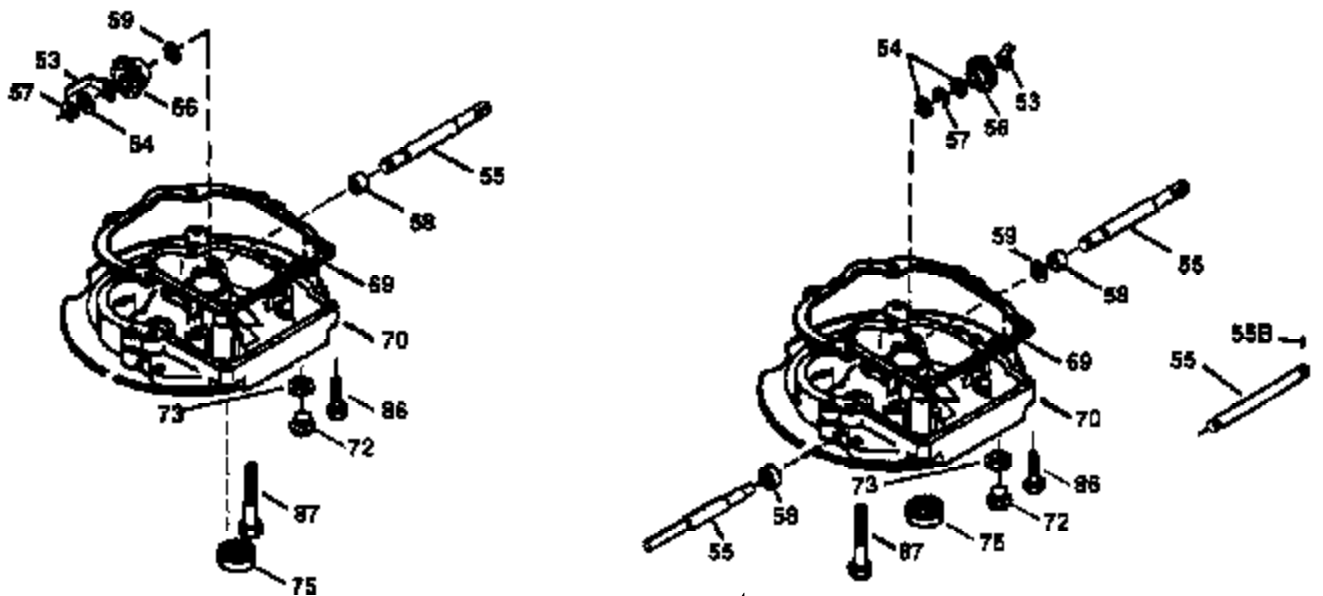
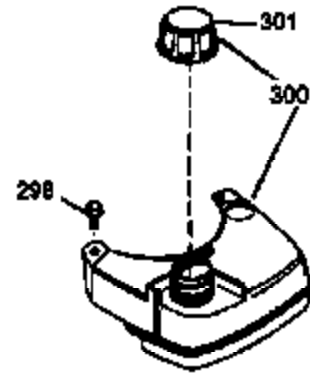
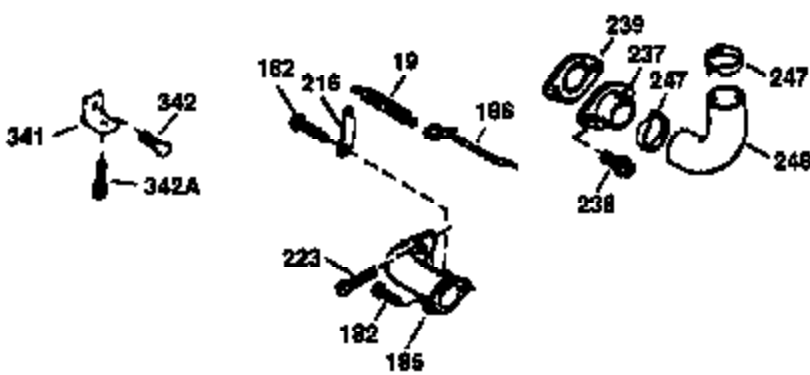
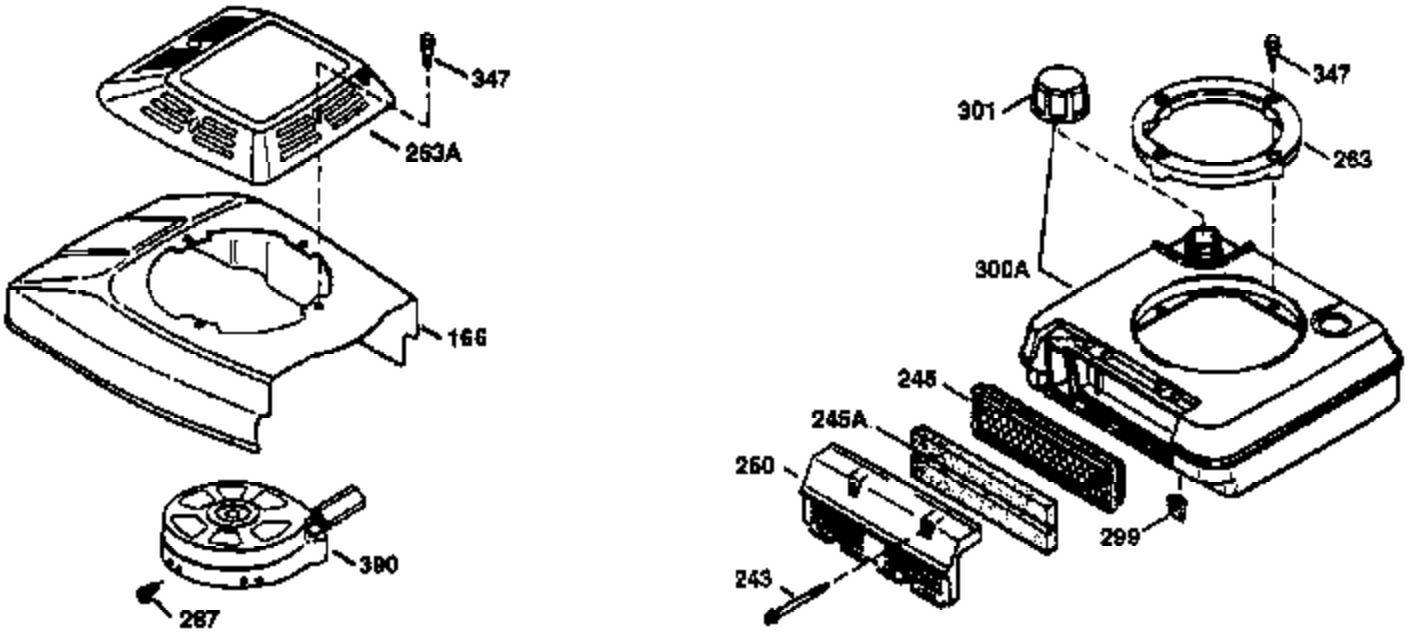
## Engine Parts List #1

| Ref # | Part Number | Qty | Description                          |
|-------|-------------|-----|--------------------------------------|
| 169   | 27234A      | 1   | * Valve Cover Gasket                 |
| 172   | 32755       | 1   | Valve Cover                          |
| 174   | 30200       | 2   | Screw, 10-24 x 9/16"                 |
| 178   | 29752       | 2   | Nut & Lock Washer, 1/4-28            |
| 182   | 6201        | 2   | Screw, 1/4-28 x 7/8"                 |
| 184   | 26756       | 1   | * Carburetor To Intake Pipe Gasket   |
| 185   | 31384A      | 1   | Intake Pipe (Incl. 224)              |
| 186   | 34337       | 1   | Governor Link                        |
| 189   | 650839      | 2   | Screw, 1/4-20 x 3/8"                 |
| 190   | 35831       | 1   | Brake Lever                          |
| 191   | 35039B      | 1   | S.E. Brake Bracket (Incl. 195)       |
| 192   | 34966       | 1   | Brake Control Link                   |
| 193   | 35830       | 1   | Brake Spring                         |
| 194   | 32309       | 1   | Retaining Ring                       |
| 195   | 610973      | 1   | Terminal                             |
| 200   | 33131A      | 1   | Control Bracket (Incl. 202 thru 205) |
| 202   | 36482       | 1   | Compression Spring                   |
| 203   | 31342       | 1   | Compression Spring                   |
| 204   | 650549      | 1   | Screw, 5-40 x 7/16"                  |
| 205   | 650777      | 1   | Screw, 6-32 x 21/32"                 |
| 207   | 34336       | 1   | Throttle Link                        |
| 209   | 30200       | 2   | Screw, 10-24 x 9/16"                 |
| 210   | 27793       | 1   | Conduit Clip                         |
| 211   | 28942       | 1   | Screw, 10-32 x 3/8"                  |
| 223   | 650451      | 2   | Screw, 1/4-20 x 1"                   |
| 224   | 34690A      | 1   | * Intake Pipe Gasket                 |
| 238   | 650937      | 2   | Screw, 10-32 x 43/64"                |
| 239A  | 36277       | 1   | Air Cleaner Seal                     |
| 240   | 36273       | 1   | Air Cleaner Body                     |
| 245B  | 36275       | 1   | Air Cleaner Filter                   |
| 245   | 36278       | 1   | Air Cleaner Filter                   |
| 250   | 36274       | 1   | Air Cleaner Cover                    |
| 260   | 36269       | 1   | Blower Housing                       |
| 262   | 650831      | 4   | Screw, 1/4-20 x 1/2"                 |
| 263   | 36280       | 1   | Trim Ring                            |
| 275   | 35993       | 1   | Muffler (Incl. 277)                  |
| 276   | 35994       | 1   | Locking Plate                        |
| 277   | 650957      | 2   | Screw, 1/4-20 x 2-31/32"             |
| 285   | 35000       | 1   | Starter Cup                          |
| 287   | 650926      | 2   | Screw, 8-32 x 21/64"                 |
| 290   | 29774       | 1   | Fuel Line                            |
| 292   | 26460       | 2   | Fuel Line Clamp                      |
| 300   | 36279       | 1   | Fuel Tank (Incl. 292 & 301)          |
| 301   | 35355       | 1   | Fuel Cap                             |
| 305   | 36270       | 1   | Oil Fill Tube                        |
| 306   | 34265       | 1   | * "O" Ring                           |
| 307   | 36272       | 1   | "O" Ring                             |
| 309   | 650936      | 1   | Screw, 10-32 x 13/32"                |
| 310   | 36271       | 1   | Dipstick                             |
| 313   | 34080       | 1   | Spacer                               |
| 327   | 35392       | 1   | Starter Plug                         |
| 370   | 36261       | 1   | Instruction Decal                    |
| 370A  | 36260       | 1   | Primer Decal                         |
| 380   | 632669      | 1   | Carburetor (Incl. 184)               |

| Ref # | Part Number | Qty | Description   |
|-------|-------------|-----|---|
| 390   | 590694      | 1   | Rewind Starter (NOTE: This engine could have been built with 590686 starter. Refer to the design of the air intake louvers for part identification. Individual starter parts do not interchange.) |
| 400   | 36481       | 1   | * Gasket Set (Incl. items marked PK i n notes). Incl. Part #'s 26756 (1), 27234A (1), 33735 (1), 34265 (1), 34338 (1), 34690A (1), 35261 (1), 36477 (1)   |
| 420   | 730225      | 1   | SAE 30 4-Cycle Engine Oil (Quart)   |

ILLUSTRATION SHOWS TYPICAL PARTS ONLY. ORDER BY PART NUMBER. PARTS NOT LISTED ARE SUPPLIED BY OEM.

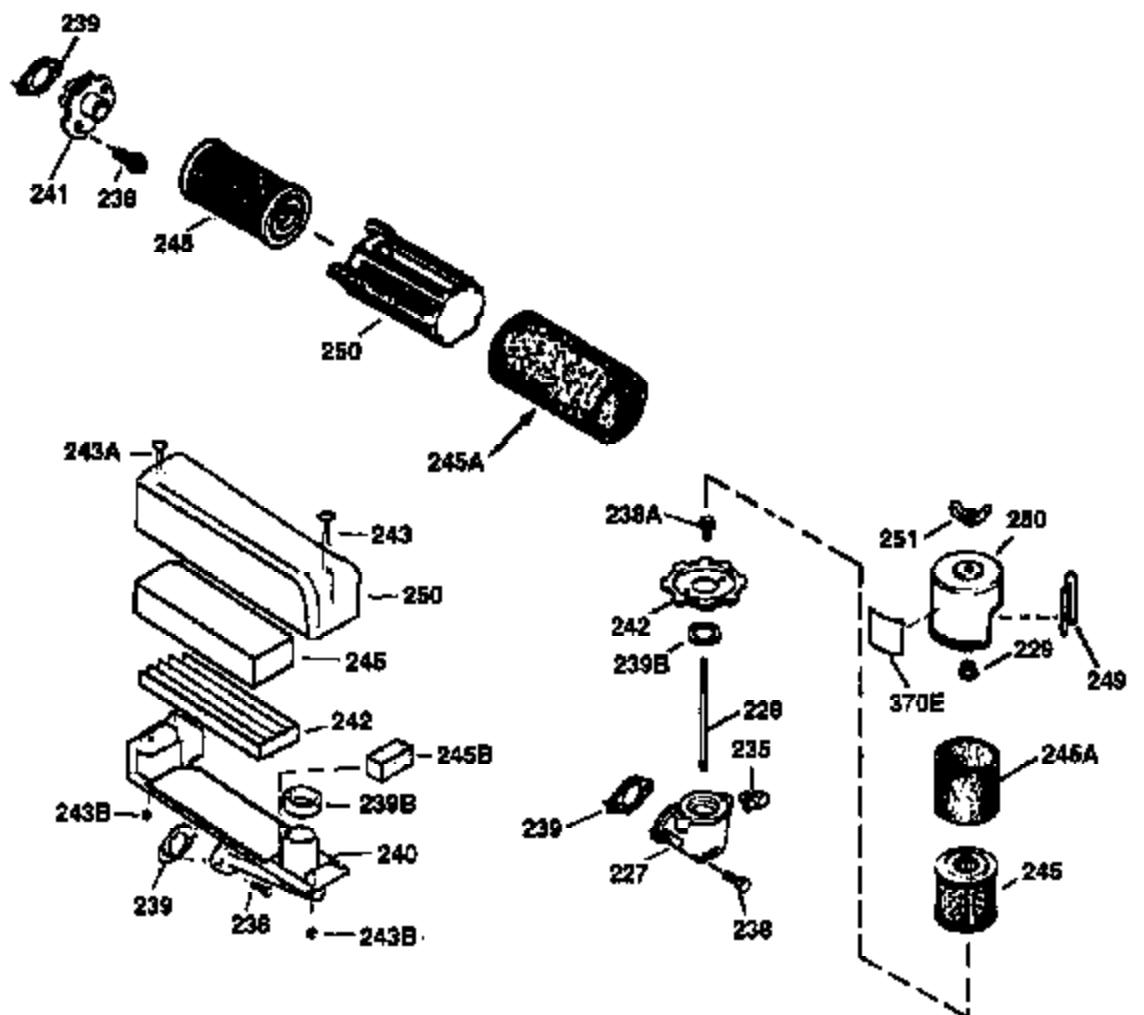
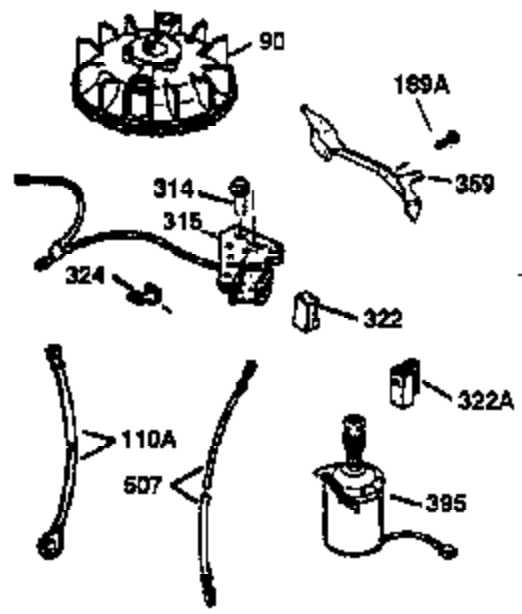
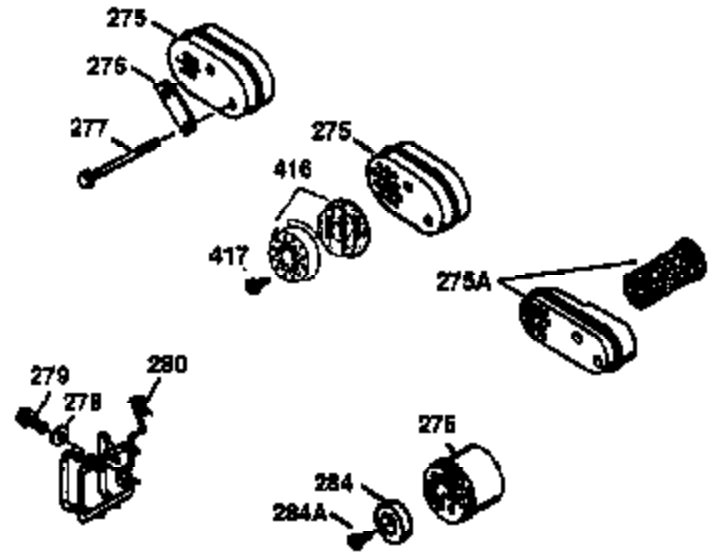
**VIEW 2 OF 3**



| Ref # | Part Number | Qty | Description   |
|-------|-------------|-----|---|
| 19    | 36281       | 1   | Extension Spring  |
| 69    | 35261       | 1   | * Mounting Flange Gasket  |
| 70    | 34311D      | 1   | Mounting Flange (Incl. 72 thru 83)  |
| 72    | 36083       | 1   | Oil Drain Plug  |
| 75    | 27897       | 1   | Oil Seal  |
| 86    | 650488      | 6   | Screw, 1/4-20 x 1-1/4"  |
| 182   | 6201        | 2   | Screw, 1/4-28 x 7/8"  |
| 185   | 31384A      | 1   | Intake Pipe (Incl. 224)   |
| 186   | 34337       | 1   | Governor Link   |
| 223   | 650451      | 2   | Screw, 1/4-20 x 1"  |
| 238   | 650937      | 2   | Screw, 10-32 x 43/64"   |
| 239   | 35848       | 1   | Air Cleaner Gasket  |
| 239A  | 36277       | 1   | Air Cleaner Seal  |
| 243   | 650966      | 1   | Screw, M-5 x 0.8-6g x 2-7/16"   |
| 245   | 36278       | 1   | Air Cleaner Filter  |
| 250   | 36274       | 1   | Air Cleaner Cover   |
| 263   | 36280       | 1   | Trim Ring   |
| 287   | 650926      | 2   | Screw, 8-32 x 21/64"  |
| 298   | 28763       | 2   | Screw, 10-32 x 35/64"   |
| 300   | 36279       | 1   | Fuel Tank (Incl. 292 & 301)   |
| 301   | 35355       | 1   | Fuel Cap  |
| 390   | 590694      | 1   | Rewind Starter (NOTE: This engine could have been built with 590686 starter. Refer to the design of the air intake louvers for part identification. Individual starter parts do not interchange.) |

ILLUSTRATION SHOWS TYPICAL PARTS ONLY. ORDER BY PART NUMBER. PARTS NOT LISTED ARE SUPPLIED BY OEM.

**VIEW 3 OF 3**



| Ref # | Part Number | Qty | Description                              |
|-------|-------------|-----|--|
| 90    | 611112      | 1   | Flywheel                                 |
| 238   | 650937      | 2   | Screw, 10-32 x 43/64"                    |
| 239   | 35848       | 1   | Air Cleaner Gasket                       |
| 239A  | 36277       | 1   | Air Cleaner Seal                         |
| 240   | 36273       | 1   | Air Cleaner Body                         |
| 242   | 36276       | 1   | Air Cleaner Filter Base                  |
| 243   | 650966      | 1   | Screw, M-5 x 0.8-6g x 2-7/16"            |
| 243A  | 650968      | 1   | Screw, M-5 x 0.8-6g x 1-7/16"            |
| 243B  | 650967      | 2   | Square Nut                               |
| 245B  | 36275       | 1   | Air Cleaner Filter                       |
| 245   | 36278       | 1   | Air Cleaner Filter                       |
| 250   | 36274       | 1   | Air Cleaner Cover                        |
| 275   | 35993       | 1   | Muffler (Incl. 277)                      |
| 276   | 35994       | 1   | Locking Plate                            |
| 277   | 650957      | 2   | Screw, 1/4-20 x 2-31/32"                 |
| 416   | 36085       | 1   | Spark Arrestor Kit (Incl. 62)(Optiona l) |