

ILLUSTRATION SHOWS TYPICAL PARTS ONLY. ORDER BY PART NUMBER. PARTS NOT LISTED ARE SUPPLIED BY OEM.

VIEW 1 OF 3



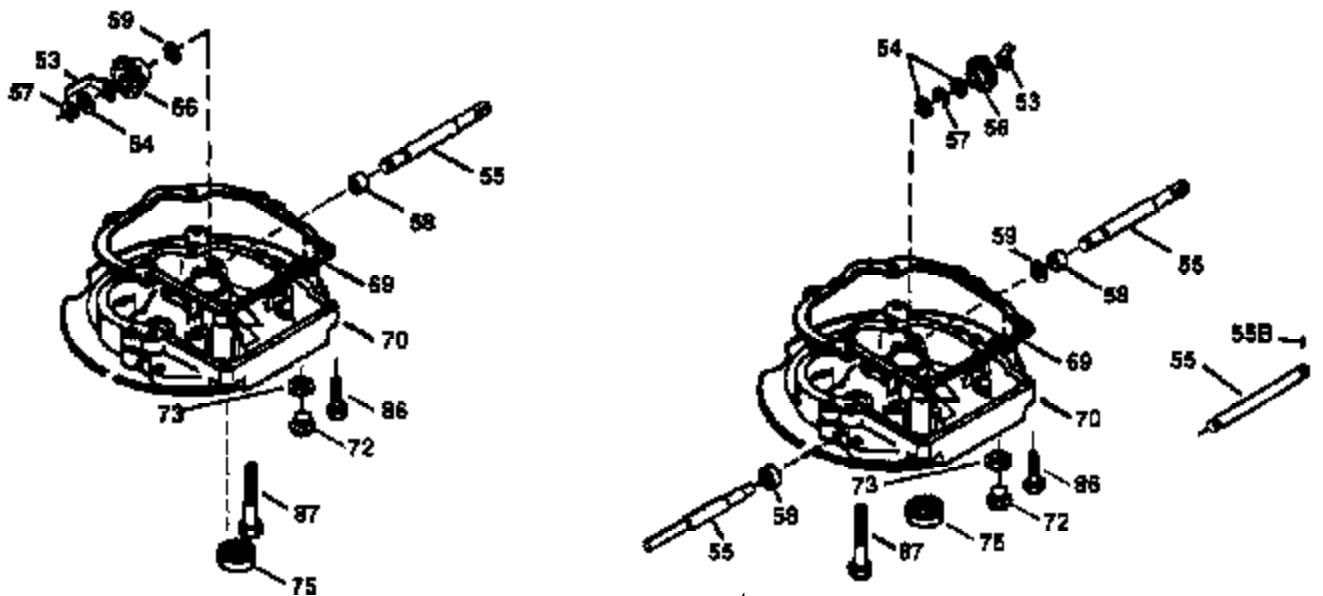
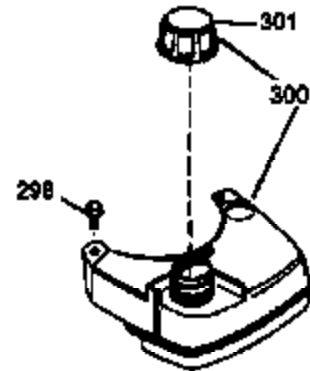
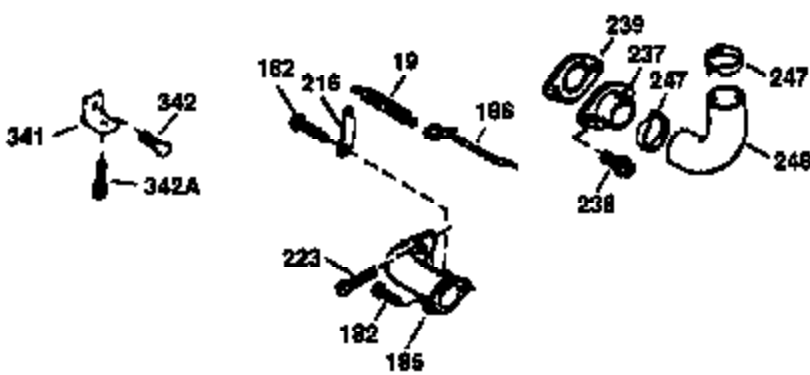
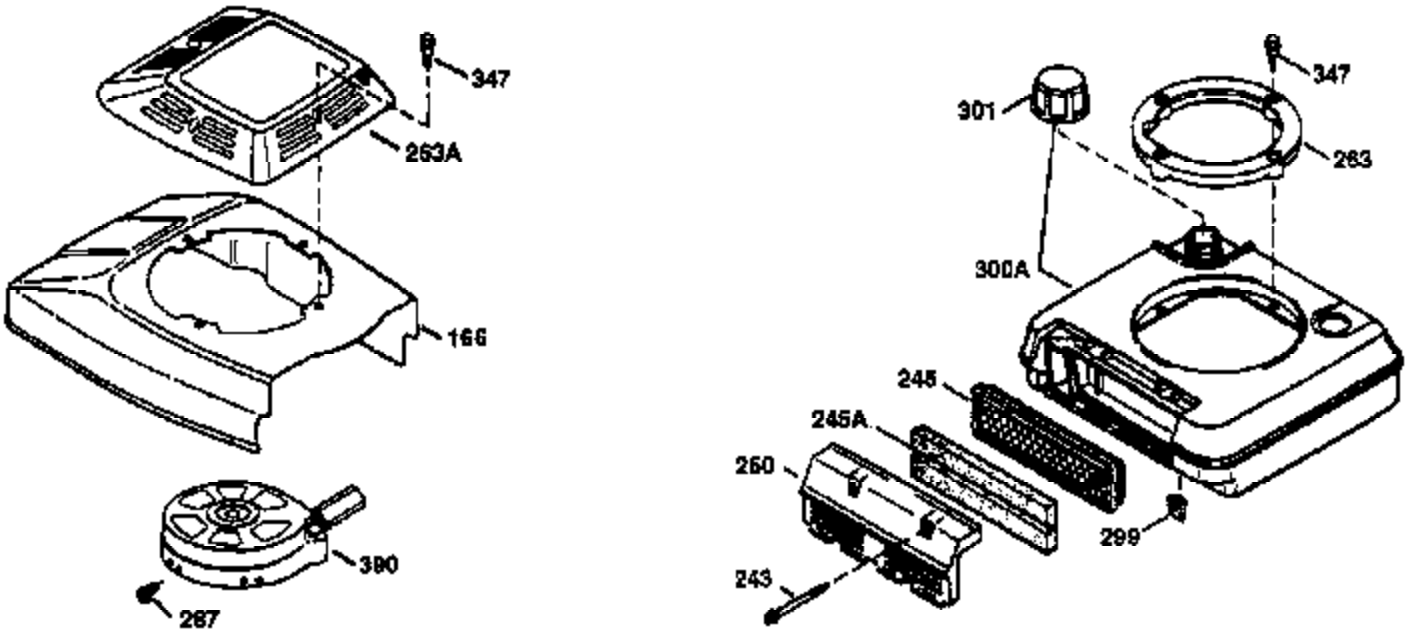
Engine Parts List #1

Ref #	Part Number	Qty	Description
1	36478	1	Cylinder
2	26727	2	Dowel Pin
6	33734	1	Breather Element
7	34214A	1	Breather Ass'y. (Incl. 6, 8 & 9)
8	33735	1	* Breather Gasket
9	30200	2	Screw, 10-24 x 9/16"
12	35496	1	Breather Tube
14	28277	1	Washer
15	30589	1	Governor Rod (Incl. 14)
16	31383A	1	Governor Lever
17	31335	1	Governor Lever Clamp
18	650548	1	Screw, 8-32 x 5/16"
19	31361	1	Extension Spring
20	32600	1	Oil Seal
30	36298	1	Crankshaft
40	36073	1	Piston, Pin & Ring Set (Std.)
40	36074	1	Piston, Pin & Ring Set (.010" OS)
40	36075	1	Piston, Pin & Ring Set (.020" OS)
41	36070	1	Piston & Pin Ass'y. (Std.) (Incl. 43)
41	36071	1	Piston & Pin Ass'y. (.010" OS) (Incl. 43)
41	36072	1	Piston & Pin Ass'y. (.020" OS) (Incl. 43)
42	36076	1	Ring Set (Std.)
42	36077	1	Ring Set (.010" OS)
42	36078	1	Ring Set (.020" OS)
43	20381	2	Piston Pin Retaining Ring
45	30963B	1	Connecting Rod Ass'y. (Incl. 46)
46	32610A	2	Connecting Rod Bolt
48	27241	2	Valve Lifter
50	35992	1	Camshaft (MCR)
52	29914	1	Oil Pump Ass'y.
69	35261	1	* Mounting Flange Gasket
70	34311D	1	Mounting Flange (Incl. 72 thru 83)
72	36083	1	Oil Drain Plug
75	27897	1	Oil Seal
80	30574A	1	Governor Shaft
81	30590A	1	Washer
82	30591	1	Governor Gear Ass'y. (Incl. 81)
83	30588A	1	Governor Spool
86	650488	6	Screw, 1/4-20 x 1-1/4"
89	611004	1	Flywheel Key
90	611112	1	Flywheel
92	650815	1	Belleville Washer
93	650816	1	Flywheel Nut
100	34443A	1	Solid State Ignition
101	610118	1	Spark Plug Cover
103	650814	2	Screw, Torx T-15, 10-24 x 1"
110	34961	1	Ground Wire
119	36477	1	* Cylinder Head Gasket
120	36476	1	Cylinder Head
125	36471	1	Exhaust Valve (Std.) (Incl. 151)
125	36472	1	Exhaust Valve (1/32" OS) (Incl. 151)
126	29314B	1	Intake Valve (Std.) (Incl. 151)
126	29315C	1	Intake Valve (1/32" OS) (Incl. 151)
130	6021A	8	Screw, 5/16-18 x 1-1/2"
135	35395	1	Resistor Spark Plug (RJ19LM)
150	35991	2	Valve Spring
151	31673	2	Valve Spring Cap
169	27234A	1	* Valve Cover Gasket

Ref #	Part Number	Qty	Description
172	32755	1	Valve Cover
174	30200	2	Screw, 10-24 x 9/16"
178	29752	2	Nut & Lockwasher, 1/4-28
182	6201	2	Screw, 1/4-28 x 7/8"
184	26756	1	* Carburetor To Intake Pipe Gasket
185	31384A	1	Intake Pipe (Incl. 224)
186	32653	1	Governor Link
189	650839	2	Screw, 1/4-20 x 3/8"
190	35831	1	Brake Lever
191	35039B	1	S.E. Brake Bracket (Incl. 195)
192	34966	1	Brake Control Link
193	34965	1	Brake Spring
194	32309	1	Retaining Ring
195	610973	1	Terminal
207	34336	1	Throttle Link
223	650451	2	Screw, 1/4-20 x 1"
224	34690A	1	* Intake Pipe Gasket
245	35500	1	Air Cleaner Filter
250	35503	1	Air Cleaner Cover
260	35497	1	Blower Housing
261	30200	2	Screw, 10-24 x 9/16"
262	650831	2	Screw, 1/4-20 x 1/2"
263	35502	1	Trim Ring
275	35993	1	Muffler
276	35994	1	Locking Plate
277	650957	2	Screw, 1/4-20 x 2-31/32"
285	35000	1	Starter Cup
287	650926	2	Screw, 8-32 x 21/64"
290	30705	1	Fuel Line
292	26460	2	Fuel Line Clamp
300	35501A	1	Shroud & Tank Ass'y. (Incl. 301)
301	35355	1	Fuel Cap
305	35498	1	Oil Fill Tube
306	34265	1	* "O" Ring
307	35499	1	"O" Ring
309	650562	1	Screw, 10-32 x 35/64"
310	35507	1	Dipstick
313	34080	1	Spacer
327	35392	1	Starter Plug
357	36412	1	Starter Rope Retainer
370A	36261	1	Instruction Decal
380	632611	1	Carburetor (Incl. 184)
390	590694	1	Rewind Starter (NOTE: This engine could have been built with 590686 starter. Refer to the design of the air intake louvers for part identification. Individual starter parts do not interchange.)
400	36481	1	*Gasket Set (Incl. items marked PK in notes) Incl. part #'s: 26756 (1), 27234A (1), 33735 (1), 34265 (1), 34338 (1), 34690A (1), 35261 (1), 36477 (1)
420	730225	1	SAE 30 4-Cycle Engine Oil (1 Quart)

ILLUSTRATION SHOWS TYPICAL PARTS ONLY. ORDER BY PART NUMBER. PARTS NOT LISTED ARE SUPPLIED BY OEM.

VIEW 2 OF 3

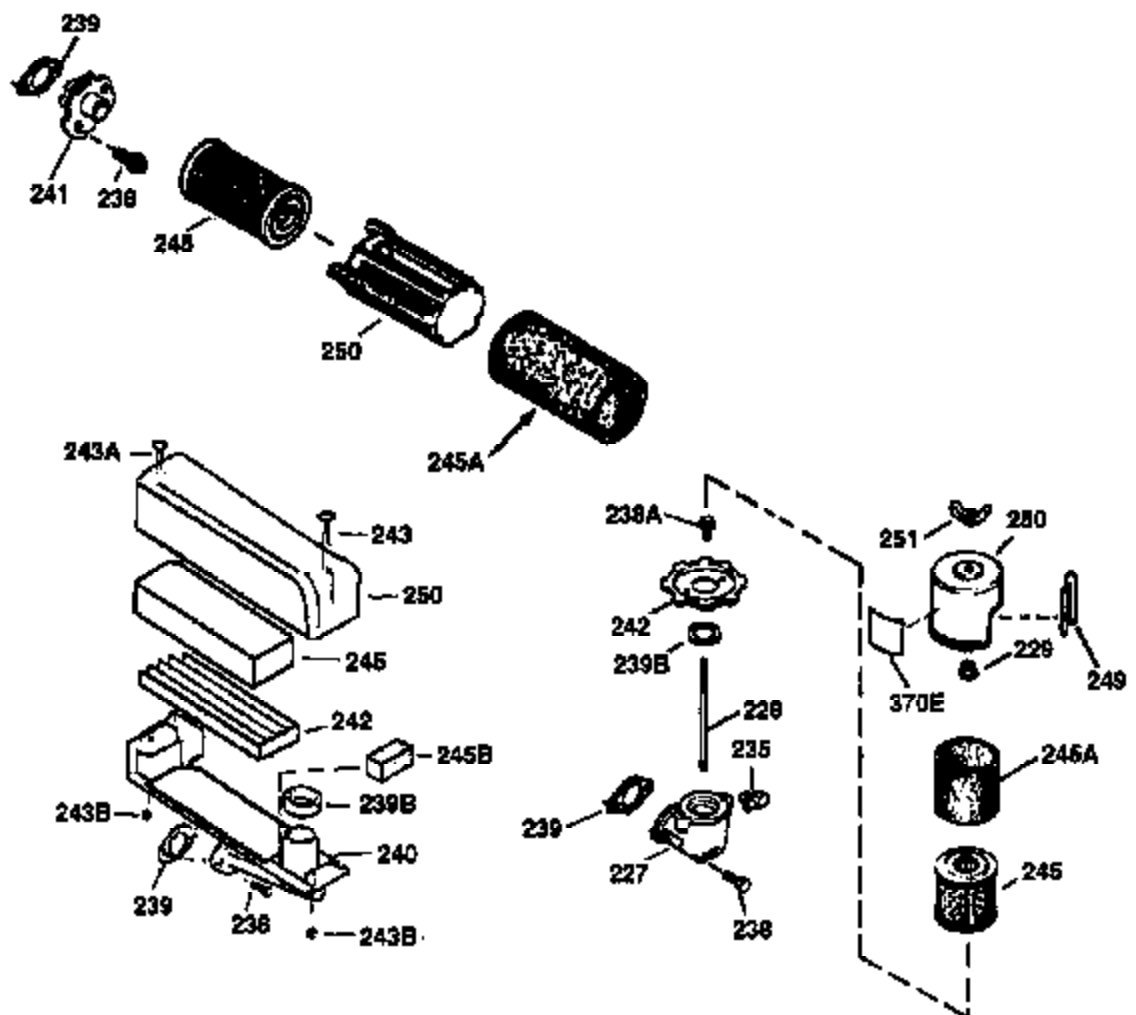
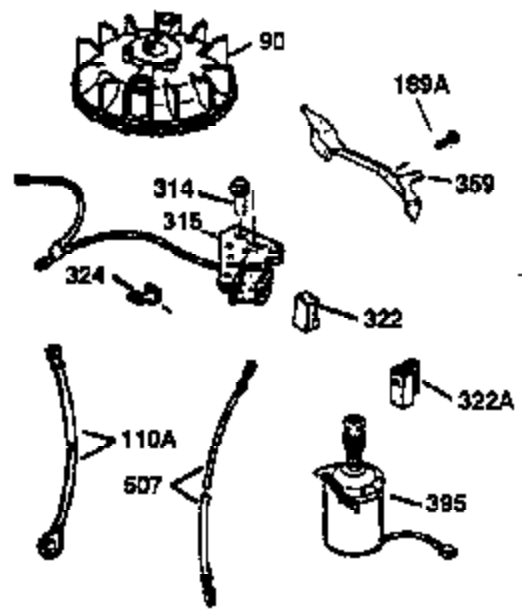
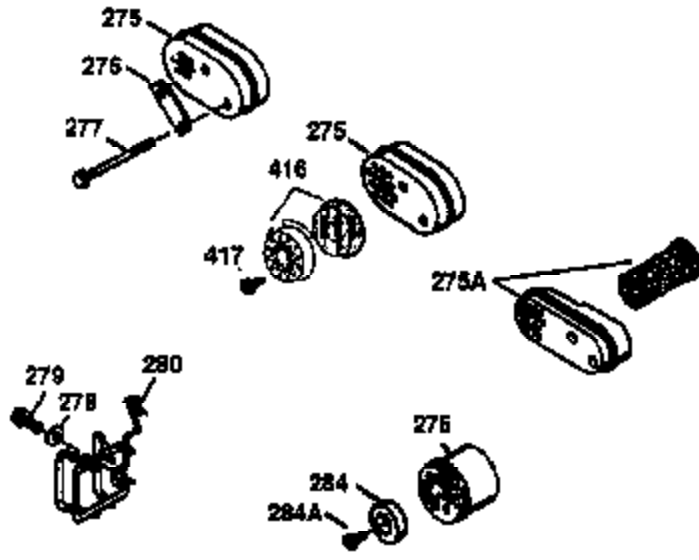


Engine Parts List #2

Ref #	Part Number	Qty	Description
19	31361	1	Extension Spring
69	35261	1	* Mounting Flange Gasket
70	34311D	1	Mounting Flange (Incl. 72 thru 83)
72	36083	1	Oil Drain Plug
75	27897	1	Oil Seal
86	650488	6	Screw, 1/4-20 x 1-1/4"
182	6201	2	Screw, 1/4-28 x 7/8"
185	31384A	1	Intake Pipe (Incl. 224)
186	32653	1	Governor Link
216	33086	1	R.P.M. Adjusting Lever
223	650451	2	Screw, 1/4-20 x 1"
243	650899	2	Screw, 10-32 x 2-3/32"
245	35500	1	Air Cleaner Filter
247	35505	2	Air Cleaner Tube Clamp
248	35504	1	Air Cleaner Tube
250	35503	1	Air Cleaner Cover
263	35502	1	Trim Ring
287	650926	2	Screw, 8-32 x 21/64"
299	650900	2	"U" Type Nut, 10-32
300	35501A	1	Shroud & Tank Ass'y. (Incl. 301)
301	35355	1	Fuel Cap
347	650898	4	Screw
390	590694	1	Rewind Starter (NOTE: This engine could have been built with 590686 starter. Refer to the design of the air intake louvers for part identification. Individual starter parts do not interchange.)

ILLUSTRATION SHOWS TYPICAL PARTS ONLY. ORDER BY PART NUMBER. PARTS NOT LISTED ARE SUPPLIED BY OEM.

VIEW 3 OF 3



Ref #	Part Number	Qty	Description
90	611112	1	Flywheel
243	650899	2	Screw, 10-32 x 2-3/32"
245	35500	1	Air Cleaner Filter
250	35503	1	Air Cleaner Cover
275	35993	1	Muffler
276	35994	1	Locking Plate
277	650957	2	Screw, 1/4-20 x 2-31/32"