

ILLUSTRATION SHOWS TYPICAL PARTS ONLY. ORDER BY PART NUMBER. PARTS NOT LISTED ARE SUPPLIED BY OEM.

VIEW 1 OF 3



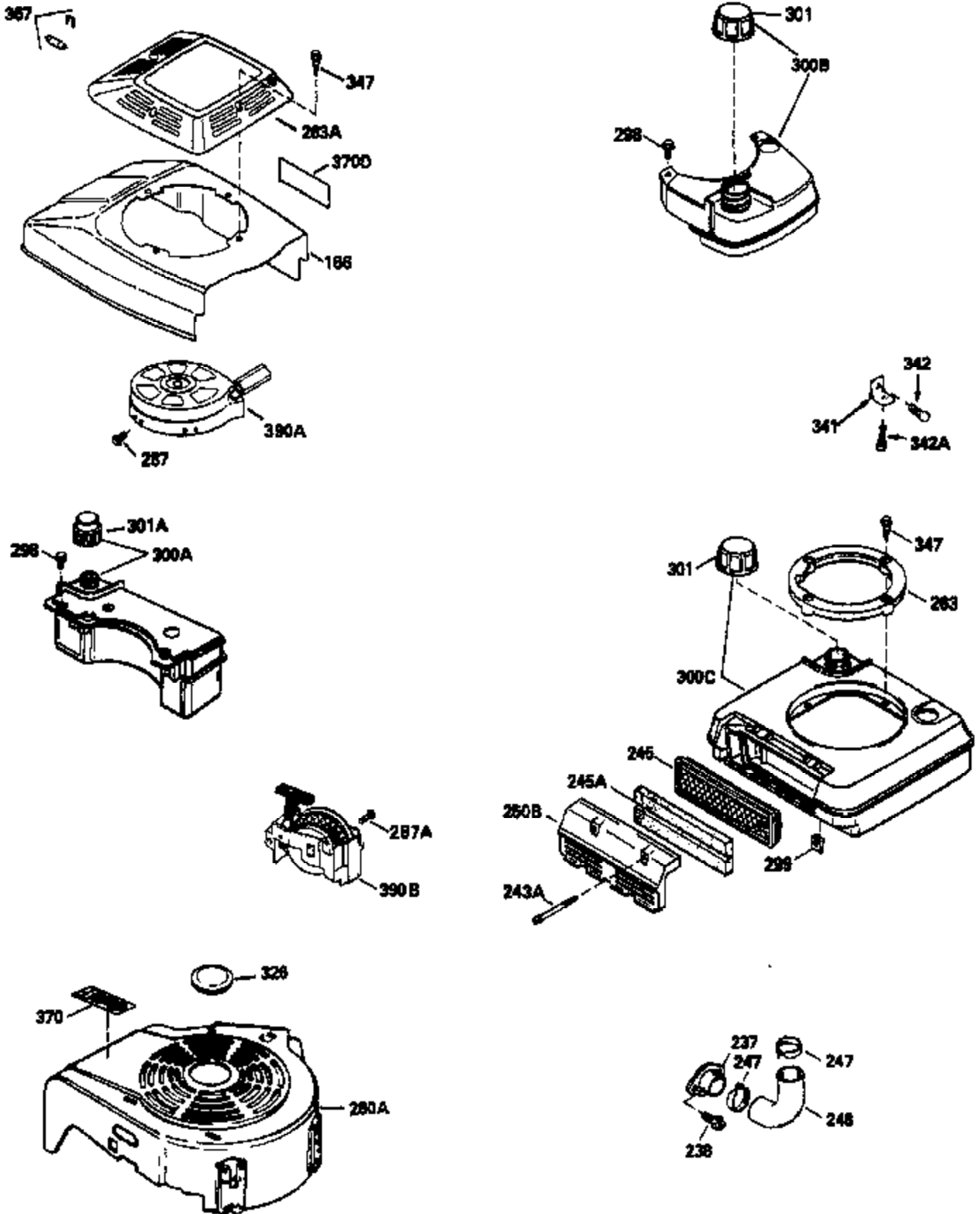
| Ref # | Part Number | Qty | Description   |
|-------|-------------|-----|---|
| 1     | 35513       |     | Cylinder (Incl. 2 & 20) (2-5/8" Bore)                     |
| 2     | 26727       |     | Pin, Dowel  |
| 6     | 33734       |     | Element, Breather   |
| 7     | 34214A      |     | Breather Assy. (Incl. 6, 8, 9, 12 & 1 2A)                 |
| 8     | 33735       |     | * Gasket, Breather  |
| 9     | 30200       |     | Screw, 10-24 x 9/16"                                      |
| 12    | 33886       |     | Tube, Breather  |
| 14    | 28277       |     | Washer, Flat  |
| 15    | 31513       |     | Rod, Governor   |
| 16    | 32651       |     | Lever, Governor   |
| 17    | 31335       |     | Clamp, Governor lever                                     |
| 18    | 650548      |     | Screw, 8-32 x 5/16"                                       |
| 19    | 31361       |     | Spring, Extension   |
| 20    | 32600       |     | Seal, Oil   |
| 30    | 35873       |     | Crankshaft  |
| 40    | 35544       |     | Piston, Pin & Ring Set (Std.) (2-5/8" Bore)               |
| 40    | 35545       |     | Piston, Pin & Ring Set (.010" OS)                         |
| 40    | 35546       |     | Piston, Pin & Ring Set (.020" OS)                         |
| 41    | 35541       |     | Piston & Pin Ass'y. (Incl. 43)(Std.)( 2-5/8")             |
| 41    | 35542       |     | Piston & Pin Ass'y. (Incl. 43) (.010" OS)                 |
| 41    | 35543       |     | Piston & Pin Ass'y. (Incl. 43) (.020" OS)                 |
| 42    | 35547       |     | Ring Set (Std.) (2-5/8" Bore)                             |
| 42    | 35548       |     | Ring Set (.010" OS)                                       |
| 42    | 35549       |     | Ring Set (.020" OS)                                       |
| 43    | 20381       |     | Ring, Piston pin retaining                                |
| 45    | 32875       |     | Rod Assy., Connecting (Incl. 46)                          |
| 46    | 32610A      |     | Bolt, Connecting rod                                      |
| 48    | 27241       |     | Lifter, Valve   |
| 50    | 33553       |     | Camshaft (MCR)  |
| 52    | 29914       |     | Oil Pump Assy.  |
| 69    | 35261       |     | * Gasket, Mounting flange                                 |
| 72    | 30572       |     | Plug, Oil drain (Incl. 73)                                |
| 73    | 28833       |     | * Drain Plug Gasket (Not req. W/plastic plug)             |
| 75    | 26208       |     | Seal, Oil   |
| 80    | 30574       |     | Shaft, Governor   |
| 81    | 30590A      |     | Washer, Flat  |
| 82    | 30591       |     | Gear Assy., Governor (Incl. 81)                           |
| 83    | 30588A      |     | Spool, Governor   |
| 84    | 29193       |     | Ring, Retaining   |
| 86    | 650488      |     | Screw, 1/4-20 x 1-1/4"                                    |
| 89    | 610961      |     | Key, Flywheel   |
| 90    | 611123      |     | Flywheel  |
| 92    | 650815      |     | Washer, Belleville  |
| 93    | 650816      |     | Nut, Flywheel   |
| 100   | 34443A      |     | Solid State Ignition                                      |
| 101   | 610118      |     | Cover, Spark plug   |
| 103   | 650814      |     | Screw, Torx T-15, 10-24 x 1"                              |
| 110   | 35182       |     | Wire, Ground  |
| 119   | 33015A      |     | * Gasket, Head  |
| 120   | 34342       |     | Head, Cylinder  |
| 125   | 29314B      |     | Intake Valve (Std.) (Incl. 151) (Conventional Ports)      |
| 125   | 29315C      |     | Intake Valve (1/32" OS) (Incl. 151) (Conventional Ports)  |
| 126   | 29313C      |     | Exhaust Valve (Std.) (Incl. 151) (Conventional Ports)     |
| 126   | 29315C      |     | Exhaust Valve (1/32" OS) (Incl. 151) (Conventional Ports) |
| 130   | 6021A       |     | Screw, 5/16-18 x 1-1/2"                                   |
| 135   | 35395       |     | Resistor Spark Plug (RJ19LM)                              |
| 150   | 31672       |     | Spring, Valve   |
| 151   | 31673       |     | Cap, Lower valve spring                                   |

## Engine Parts List #1

| Ref # | Part Number | Qty | Description   |
|-------|-------------|-----|---|
| 169   | 27234A      |     | Gasket, Valve spring box cover  |
| 172   | 32755       |     | Cover, Valve spring box   |
| 174   | 650128      |     | Screw, 10-24 x 1/2"   |
| 178   | 29752       |     | Nut & Lockwasher, 1/4-28  |
| 182   | 6201        |     | Screw, 1/4-28 x 7/8"  |
| 184   | 26756       |     | * Gasket, Carburetor  |
| 185   | 33004A      |     | Pipe, Intake (Incl. 224)  |
| 186   | 34358       |     | Link, Governor spring   |
| 200   | 35727       |     | Control Bracket (Incl. 202 thru 206)  |
| 202   | 33802       |     | Spring, Compression   |
| 203   | 31342       |     | Spring, Compression   |
| 204   | 650549      |     | Screw, 5-40 x 7/16"   |
| 205   | 650777      |     | Screw, 6-32 x 21/32"  |
| 206   | 610973      |     | Terminal  |
| 207   | 34336       |     | Link, Throttle  |
| 209   | 30200       |     | Screw, 10-24 x 9/16"  |
| 215   | 32410       |     | Knob, Speed control   |
| 223   | 650451      |     | Screw, 1/4-20 x 1"  |
| 224   | 34690A      |     | * Gasket, Intake pipe   |
| 238   | 650932      |     | Screw, 10-32 x 49/64"   |
| 239   | 34338       |     | * Gasket, Air cleaner   |
| 245   | 35066       |     | Filter, Air cleaner   |
| 246D  | 35435       |     | Filter, Pre-Air (Optional)  |
| 250A  | 35065       |     | Cover Assy., Air cleaner  |
| 260   | 35861       |     | Housing, Blower   |
| 261   | 30200       |     | Screw, 10-24 x 9/16"  |
| 262   | 650831      |     | Screw, 1/4-20 x 15/32"  |
| 275   | 27181B      |     | Muffler Kit (Incl. 274 & 277)   |
| 277   | 650795      |     | Screw, 1/4-20 x 2-1/4" (Use as required)  |
| 285   | 35000       |     | Hub, Starter  |
| 287   | 650884      |     | Screw, 8-32 x 1/2"  |
| 290   | 34357       |     | Fuel Line (Epichlorohydrin 6-3/4") (17 cm)  |
| 290   | 29774       |     | Fuel Line(Braided 8-1/4")(21 cm)(Use as req.)   |
| 290   | 30705       |     | Fuel Line (Braided 16") (40 cm) (Use as req.)   |
| 290   | 30962       |     | Fuel Line (Braided 32") (81 cm) (Use as req.)   |
| 292   | 26460       |     | Clamp, Fuel line  |
| 299   | 35728       |     | Clamp, Fuel line  |
| 299A  |             |     | Rivet, Pop (Can be purchased locally)   |
| 301   | 33032       |     | Fuel Cap (Use as required)  |
| 305   | 35577       |     | Tube, Oil fill  |
| 306   | 34265       |     | Gasket, Oil fill tube   |
| 307   | 35499       |     | "O" Ring  |
| 309   | 650562      |     | Screw, 10-32 x 1/2"   |
| 310   | 35578       |     | Dipstick  |
| 313   | 34080       |     | Spacer, Flywheel key  |
| 327   | 35392       |     | Plug, Starter   |
| 354   | 35025       |     | Staple (Not used on all models)   |
| 357   | 34985       |     | Rope Stop & Staple Assy. (Incl. 354)  |
| 370G  | 34387       |     | Decal, Instruction (Optional)   |
| 370C  | 35169       |     | Decal, Throttle   |
| 379   | 631021      |     | Inlet Needle, Seat & Clip Ass'y.  |
| 380   | 632575      |     | Carburetor (Incl. 184) (Refer to Division 5, Section A, page A2-6 or Fiche 8A, Grid E-9for breakdown) |
| 390   | 590621      |     | Rewind Starter (Refer to Division 5, Section C, page 34 or Fiche 8A, Grid G-5 for breakdown)          |
| 400   | 33238D      |     | * Gasket Set (Incl. items marked *)   |
| 420   | 730225      |     | SAE 30, 4-Cycle Engine Oil (Quart)  |

ILLUSTRATION SHOWS TYPICAL PARTS ONLY. ORDER BY PART NUMBER. PARTS NOT LISTED ARE SUPPLIED BY OEM.

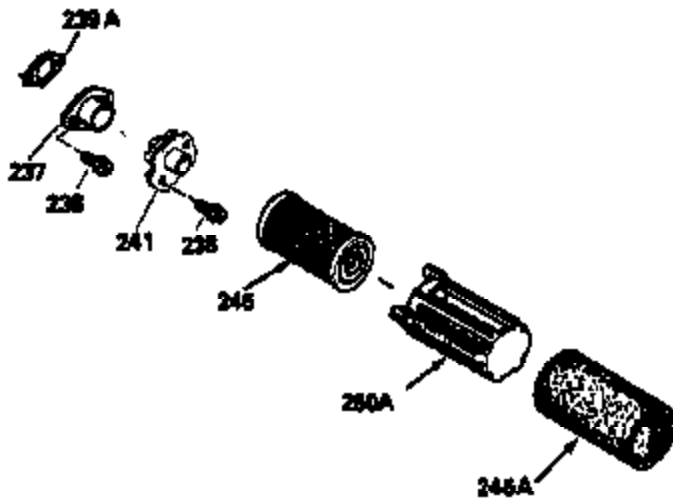
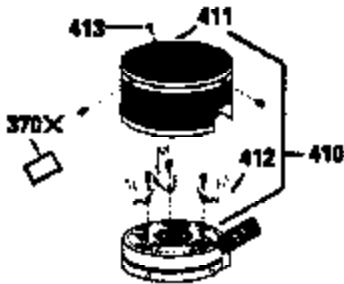
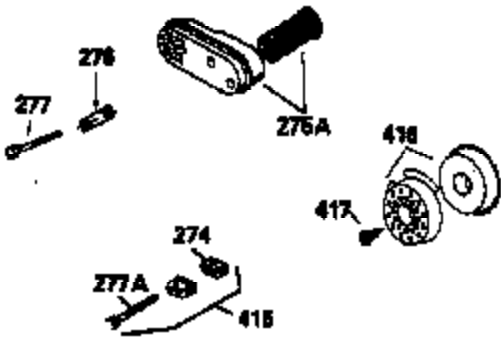
**VIEW 2 OF 3**



| Ref # | Part Number | Qty | Description  |
|-------|-------------|-----|--|
| 92    | 650815      |     | Washer, Belleville   |
| 238   | 650932      |     | Screw, 10-32 x 49/64"  |
| 245   | 35066       |     | Filter, Air cleaner  |
| 246D  | 35435       |     | Filter, Pre-Air (Optional)   |
| 250A  | 35065       |     | Cover Assy., Air cleaner   |
| 287   | 650884      |     | Screw, 8-32 x 1/2"   |
| 299   | 35728       |     | Clamp, Fuel line   |
| 301   | 33032       |     | Fuel Cap (Use as required)   |
| 354   | 35025       |     | Staple (Not used on all models)  |
| 357   | 34985       |     | Rope Stop & Staple Assy. (Incl. 354)   |
| 370G  | 34387       |     | Decal, Instruction (Optional)  |
| 390   | 590621      |     | Rewind Starter (Refer to Division 5, Section C, page 34 or Fiche 8A, Grid G-5 for breakdown) |

ILLUSTRATION SHOWS TYPICAL PARTS ONLY. ORDER BY PART NUMBER. PARTS NOT LISTED ARE SUPPLIED BY OEM.

VIEW 3 OF 3



| Ref # | Part Number | Qty | Description                                    |
|-------|-------------|-----|--|
| 19    | 31361       |     | Spring, Extension                              |
| 53    | 31745       |     | Washer, Tang                                   |
| 54    | 31787       |     | Washer, Flat                                   |
| 55    | 35667       |     | Shaft, P.T.O.                                  |
| 56    | 31746       |     | Gear, Worm, Left-hand helix                    |
| 57    | 31749       |     | Ring, Retaining                                |
| 58    | 31744       |     | Seal, Oil                                      |
| 59    | 31747       |     | Washer, Flat                                   |
| 69    | 35261       |     | * Gasket, Mounting flange                      |
| 70A   | 35733A      |     | Flange Ass'y. (Incl. 58, 72, 73, 75 & 80)      |
| 87    | 650492      |     | Screw, 1/4-20 x 2-1/4"                         |
| 92    | 650815      |     | Washer, Belleville                             |
| 182   | 6201        |     | Screw, 1/4-28 x 7/8"                           |
| 185   | 33004A      |     | Pipe, Intake (Incl. 224)                       |
| 186   | 34358       |     | Link, Governor spring                          |
| 223   | 650451      |     | Screw, 1/4-20 x 1"                             |
| 238   | 650932      |     | Screw, 10-32 x 49/64"                          |
| 241   | 35797       |     | Collar, Air cleaner                            |
| 245   | 35066       |     | Filter, Air cleaner                            |
| 246D  | 35435       |     | Filter, Pre-Air (Optional)                     |
| 250A  | 35065       |     | Cover Assy., Air cleaner                       |
| 277A  | 30063       |     | Screw, Torx T-30, 1/4-20 x 1/2" (Use as req.)  |
| 277   | 650795      |     | Screw, 1/4-20 x 2-1/4" (Use as required)       |
| 354   | 35025       |     | Staple (Not used on all models)                |
| 357   | 34985       |     | Rope Stop & Staple Assy. (Incl. 354)           |
| 370G  | 34387       |     | Decal, Instruction (Optional)                  |
| 410   | 730574      |     | Opt.Debris Screen Kit (Incl.370G,411, 412,413) |
| 411   | 35596       |     | Debris Screen (Optional)                       |
| 412   | 35597       |     | Debris Screen Bracket (Optional)               |
| 413   | 650910      |     | Screw, 8-32 x 1/4 (Optional)                   |
| 415   | 730162      |     | Muffler Adapter Kit(In.274,277A)(Use as req.)  |