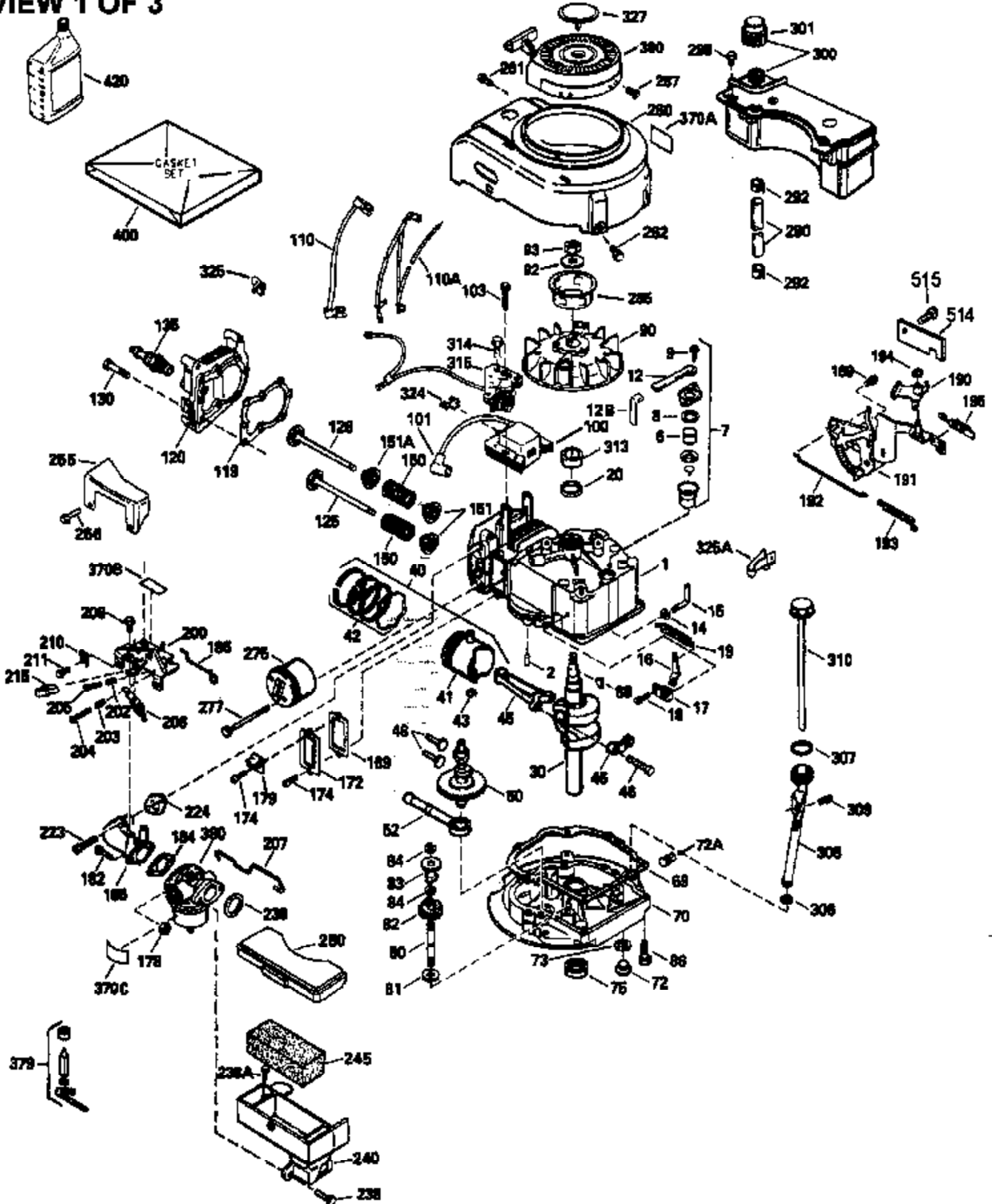


VIEW 1 OF 3



| Ref # | Part Number | Qty | Description   |
|-------|-------------|-----|---|
| 1     | 35154       |     | Cylinder (Incl. 2 & 20) (2-5/8" Bore)   |
| 2     | 26727       |     | Pin, Dowel  |
| 6     | 33734       |     | Element, Breather   |
| 7     | 34214A      |     | Breather Ass'y. (Incl. 6, 8, 9, 12 , & 12A)   |
| 8     | 33735       |     | * Gasket, Breather  |
| 9     | 30200       |     | Screw, 10-24 x 9/16"  |
| 12    | 33886       |     | Tube, Breather  |
| 14    | 28277       |     | Washer, Flat  |
| 15    | 31513       |     | Rod, Governor   |
| 16    | 31383A      |     | Lever, Governor   |
| 17    | 31335       |     | Clamp, Governor lever   |
| 18    | 650548      |     | Screw, 8-32 x 5/16"   |
| 19    | 31361       |     | Spring, Extension   |
| 20    | 32600       |     | Seal, Oil   |
| 30    | 35153A      |     | Crankshaft  |
| 40    | 34851       |     | Piston, Pin & Ring Set (Std.) (2-5/8" Bore) NOTE: These piston, pin and ring sets and pistons have been superceded into a new piston, pin and ring set assembly. As of this update the ring sets (34854, 34855, 34856) are still available. It will be necessary to note on the engine that the piston, pin |
| 40    | 34852       |     | Piston, Pin & Ring Set (.010" OS)   |
| 40    | 34853       |     | Piston, Pin & Ring Set (.020" OS)   |
| 41    | 32603B      |     | Piston & Pin Ass'y. (Incl.43)(Std.)(2 -5/8")  |
| 41    | 32604B      |     | Piston & Pin Ass'y. (Incl. 43) (.010" OS)   |
| 41    | 32605B      |     | Piston & Pin Ass'y. (Incl. 43) (.020" OS)   |
| 42    | 34854       |     | Ring Set (Std.) (2-5/8" Bore)   |
| 42    | 34855       |     | Ring Set (.010" OS)   |
| 42    | 34856       |     | Ring Set (.020" OS)   |
| 43    | 20381       |     | Ring, Piston pin retaining  |
| 45    | 32875       |     | Rod Assy., Connecting (Incl. 46)  |
| 46    | 32610A      |     | Bolt, Connecting rod  |
| 48    | 27241       |     | Lifter, Valve   |
| 50    | 33533       |     | Camshaft (MCR)  |
| 52    | 29914       |     | Oil Pump Assy.  |
| 55A   | 34647       |     | Shaft, P.T.O.   |
| 69    | 35261       |     | * Gasket, Mounting flange   |
| 72    | 30572       |     | Plug, Oil drain (Incl. 73)  |
| 73    | 28833       |     | * Drain Plug Gasket (Not req. W/plastic plug)   |
| 75    | 26208       |     | Seal, Oil   |
| 80    | 30574       |     | Shaft, Governor   |
| 81    | 30590A      |     | Washer, Flat  |
| 82    | 30591       |     | Gear Assy., Governor (Incl. 81)   |
| 83    | 30588A      |     | Spool, Governor   |
| 84    | 29193       |     | Ring, Retaining   |
| 86    | 650488      |     | Screw, 1/4-20 x 1-1/4"  |
| 89    | 611004      |     | Flywheel Key  |
| 90    | 611044      |     | Flywheel  |
| 92    | 650815      |     | Washer, Belleville  |
| 93    | 650816      |     | Nut, Flywheel   |
| 100   | 34443A      |     | Solid State Ignition  |
| 100   | 730207      |     | Magneto-to-Solid State Conv. Kit (Includes solid state module, solid state flywheel key, and instructions.) (Use as required on external ignition engines only.)  |
| 101   | 610118      |     | Cover, Spark plug (Use as required)   |
| 103   | 650814      |     | Screw, Torx T-15, 10-24 x 1"  |
| 104   | 34836       |     | Bushing, Cylinder   |
| 110   | 34961       |     | Ground Wire   |

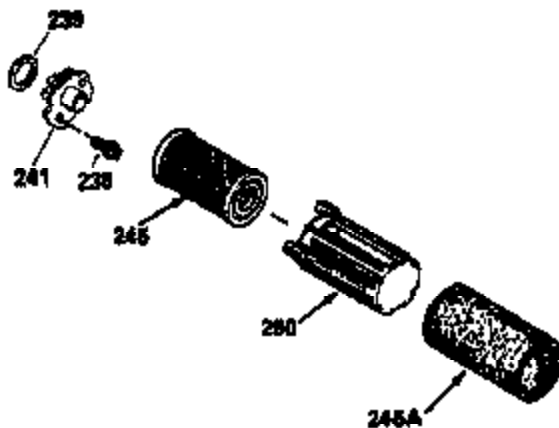
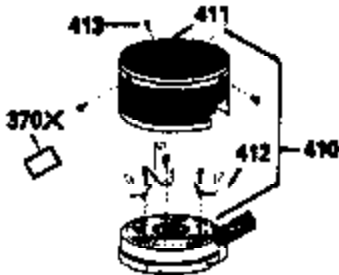
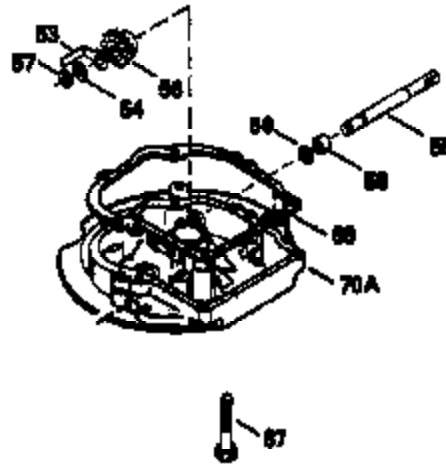
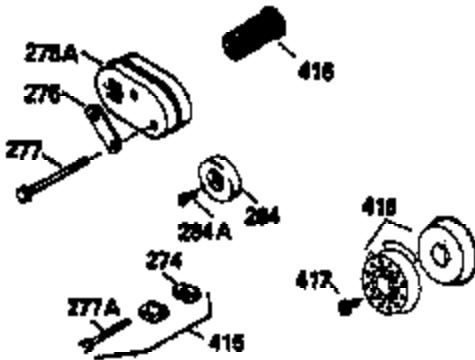
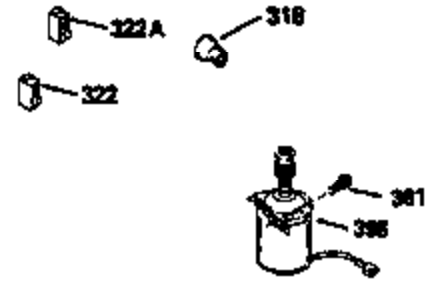
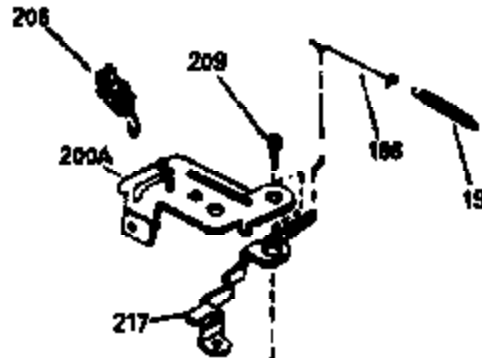
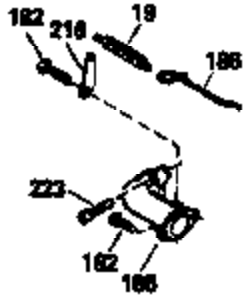
| Ref # | Part Number | Qty | Description   |
|-------|-------------|-----|---|
| 118   | 730194      |     | Rope Guide Kit (Use as required)                          |
| 119   | 33015A      |     | * Gasket, Head  |
| 120   | 34342       |     | Head, Cylinder  |
| 125   | 29314B      |     | Intake Valve (Std.) (Incl. 151) (Conventional Ports)      |
| 125   | 29315C      |     | Intake Valve (1/32" OS) (Incl. 151) (Conventional Ports)  |
| 125   | 29313C      |     | Exhaust Valve (Std.) (Incl. 151) (Inverted Ports)         |
| 126   | 29313C      |     | Exhaust Valve (Std.) (Incl. 151) (Conventional Ports)     |
| 126   | 29315C      |     | Exhaust Valve (1/32" OS) (Incl. 151) (Conventional Ports) |
| 126   | 34776       |     | Exhaust Valve (Std.) (Incl. 151) (Conventional Ports)     |
| 126   | 32644A      |     | Intake Valve (Incl. 151) (Inverted Ports)                 |
| 130   | 6021A       |     | Screw, 5/16-18 x 1-1/2" (Use as required)                 |
| 130   | 650697A     |     | Screw, 5/16-18 x 2-1/2" (Use as required)                 |
| 135   | 35395       |     | Resistor Spark Plug (RJ19LM)                              |
| 150   | 31672       |     | Spring, Valve   |
| 151   | 31673       |     | Cap, Lower valve spring                                   |
| 169   | 27234A      |     | Gasket, Valve spring box cover                            |
| 172   | 32755       |     | Cover, Valve spring box                                   |
| 174   | 650128      |     | Screw, 10-24 x 1/2"                                       |
| 178   | 29752       |     | Nut & Lockwasher, 1/4-28                                  |
| 182   | 6201        |     | Screw, 1/4-28 x 7/8"                                      |
| 184   | 26756       |     | * Gasket, Carburetor                                      |
| 186   | 34337       |     | Link, Governor spring                                     |
| 190   | 35831       |     | Lever, Brake  |
| 191   | 35039B      |     | Bracket Assy., S.E. Brake (Incl. 195)                     |
| 192   | 34966       |     | Link, Control   |
| 193   | 34965       |     | Spring, Extension   |
| 194   | 32309       |     | Ring, Retaining   |
| 195   | 610973      |     | Terminal Assy.  |
| 196   | 35035       |     | Switch Assy.  |
| 200   | 33131A      |     | Control Bracket (Incl. 202 thru 206)                      |
| 202   | 33802       |     | Spring, Compression                                       |
| 203   | 31342       |     | Spring, Compression                                       |
| 204   | 650549      |     | Screw, 5-40 x 7/16"                                       |
| 205   | 650777      |     | Screw, 6-32 x 21/32"                                      |
| 206   | 610973      |     | Terminal (Use as required)                                |
| 207   | 34336       |     | Link, Throttle  |
| 209   | 30200       |     | Screw, 10-24 x 9/16"                                      |
| 210   | 27793       |     | Clip, Conduit   |
| 211   | 28942       |     | Screw, 10-32 x 3/8"                                       |
| 223   | 650451      |     | Screw, 1/4-20 x 1"  |
| 224   | 34690A      |     | * Gasket, Intake pipe                                     |
| 238   | 650806      |     | Screw, 10-32 x 5/8"                                       |
| 239   | 34338       |     | * Gasket, Air cleaner                                     |
| 240   | 34858       |     | Body, Air cleaner   |
| 246E  | 35435       |     | Filter, Pre-air (Use as required)                         |
| 246D  | 34927       |     | Felt, Air Cleaner   |
| 246   | 34340       |     | Element, Air cleaner                                      |
| 250   | 35665       |     | Cover, Air cleaner  |
| 261   | 30200       |     | Screw, 10-24 x 9/16"                                      |
| 262   | 650831      |     | Screw, 1/4-20 x 15/32"                                    |
| 277   | 650795      |     | Screw, 1/4-20 x 2-1/4" (Use as required)                  |
| 277   | 650774      |     | Screw, 1/4-20 x 2-3/8" (Use as required)                  |
| 277   | 792005      |     | Screw, 1/4-20 x 2-1/2" (Use as required)                  |
| 285   | 35000       |     | Hub, Starter  |
| 286   | 34999       |     | Screen, Starter cup                                       |
| 290   | 34357       |     | Fuel Line (Epichlorohydrin 6-3/4")(17 cm)                 |
| 290   | 29774       |     | Fuel Line(Braided 8-1/4")(21 cm)(Use as req.)             |
| 290   | 30705       |     | Fuel Line (Braided 16")(40 cm)(Use as req.)               |

| Ref # | Part Number | Qty | Description   |
|-------|-------------|-----|---|
| 290   | 30962       |     | Fuel Line (Braided 32")(81 cm)(Use as req.)   |
| 292   | 26460       |     | Clamp, Fuel line  |
| 300   | 32170A      |     | Fuel Tank (Incl. 292 & 301)   |
| 301   | 33032       |     | Fuel Cap (Use as required)  |
| 305   | 34264       |     | Oil Fill Tube   |
| 306   | 34265       |     | Gasket, Oil fill tube   |
| 306   | 34282       |     | "O" Ring (This "O" ring is required with metal fill tube only when replacement mounting flange with .777 dia. oil fill hole has been used.) |
| 307   | 33590       |     | "O" Ring  |
| 309   | 650562      |     | Screw, 10-32 x 1/2"   |
| 310   | 34267       |     | Oil Dipstick (Incl. 150)  |
| 313   | 34080       |     | Spacer, Flywheel key  |
| 314   | 650767      |     | Screw, 8-36 x 27/64"  |
| 315   | 34990       |     | Coil Assy., Alternator  |
| 325A  | 35249       |     | Clip, Spring  |
| 330   | 34970       |     | Wire Harness  |
| 330   | 34978       |     | Wire & terminal Assy.   |
| 370H  | 34387       |     | Decal, Instruction (Optional)   |
| 370J  | 34870       |     | Decal, Instruction (Optional)   |
| 370A  | 34346       |     | Decal, Instruction  |
| 379   | 631021      |     | Inlet Needle, Seat & Clip Assy.   |
| 380   | 632078A     |     | Carburetor (Incl. 184) (Refer to Division 5, Section A, page A2-10 or Fiche 8A, Grid E-13 for breakdown)                                    |
| 390   | 590420A     |     | Rewind Starter (Refer to Division 5, Section C, page 25 or Fiche 8A, Grid G-4 for breakdown)  |
| 400   | 33238D      |     | * Gasket Set (Incl. items marked *)   |
| 420   | 730225      |     | SAE 30, 4-Cycle Engine Oil (Quart)  |
| 425   | 730571      |     | Starter Muff Kit (Incl.370J,426,427)( Opt.)   |
| 426   | 32203       |     | Starter Air Cleaner (Optional)  |
| 427   | 32204       |     | Starter Air Cleaner Bracket (Optional )   |
| 436   | 611006      |     | Stator Plate Ass'y.(Incl.377,378,437, 442-448)  |
| 437   | 30551       |     | Spring, Breaker box cover   |
| 438   | 610947      |     | Cover, Dust   |
| 439   | 610955      |     | Gasket, Stator cover  |
| 440   | 30992       |     | Cam, Breaker  |
| 442   | 610385      |     | Washer  |
| 443   | 610408      |     | Nut, 8-32   |
| 444   | 29181       |     | Breaker Fastening Screw & Washer  |
| 445   | 610593      |     | Condenser Fastening Screw   |
| 446   | 33356       |     | Terminal, Ground  |



| Ref # | Part Number | Qty | Description                                    |
|-------|-------------|-----|--|
| 55A   | 34647       |     | Shaft, P.T.O.                                  |
| 104   | 34836       |     | Bushing, Cylinder                              |
| 118   | 730194      |     | Rope Guide Kit (Use as required)               |
| 196   | 35035       |     | Switch Assy.                                   |
| 238   | 650806      |     | Screw, 10-32 x 5/8"                            |
| 239   | 34338       |     | * Gasket, Air cleaner                          |
| 246D  | 34927       |     | Felt, Air Cleaner                              |
| 246   | 34340       |     | Element, Air cleaner                           |
| 246E  | 35435       |     | Filter, Pre-air (Use as required)              |
| 250   | 35665       |     | Cover, Air cleaner                             |
| 260A  | 35052       |     | Housing, Blower                                |
| 286   | 34999       |     | Screen, Starter cup                            |
| 287A  | 650735      |     | Screw, 10-24 x 3/8" (Use as required)          |
| 287A  |             |     | Pop Rivet (3/16" Dia.) (Purchase locally)      |
| 330   | 34970       |     | Wire Harness                                   |
| 330   | 34978       |     | Wire & terminal Assy.                          |
| 370J  | 34870       |     | Decal, Instruction (Optional)                  |
| 370H  | 34387       |     | Decal, Instruction (Optional)                  |
| 425   | 730571      |     | Starter Muff Kit (Incl.370J,426,427)( Opt.)    |
| 426   | 32203       |     | Starter Air Cleaner (Optional)                 |
| 427   | 32204       |     | Starter Air Cleaner Bracket (Optional )        |
| 436   | 611006      |     | Stator Plate Ass'y.(Incl.377,378,437, 442-448) |
| 437   | 30551       |     | Spring, Breaker box cover                      |
| 438   | 610947      |     | Cover, Dust                                    |
| 439   | 610955      |     | Gasket, Stator cover                           |
| 440   | 30992       |     | Cam, Breaker                                   |
| 442   | 610385      |     | Washer   |
| 443   | 610408      |     | Nut, 8-32                                      |
| 444   | 29181       |     | Breaker Fastening Screw & Washer               |
| 445   | 610593      |     | Condenser Fastening Screw                      |
| 446   | 33356       |     | Terminal, Ground                               |

**VIEW 3 OF 3**



| Ref # | Part Number | Qty | Description  |
|-------|-------------|-----|--|
| 19    | 31361       |     | Spring, Extension  |
| 53    | 31745       |     | Washer, Tang   |
| 55A   | 34647       |     | Shaft, P.T.O.  |
| 56    | 33401       |     | Gear, Worm, Right-hand helix   |
| 57    | 33537       |     | Ring, Retaining  |
| 58    | 31744       |     | Seal, Oil  |
| 59    | 31747       |     | Washer, Flat   |
| 69    | 35261       |     | * Gasket, Mounting flange  |
| 70A   | 33535B      |     | Flange Ass'y (Incl. 58, 72,A, 73, 75 & 80)   |
| 87    | 650492      |     | Screw, 1/4-20 x 2-1/4"   |
| 104   | 34836       |     | Bushing, Cylinder  |
| 118   | 730194      |     | Rope Guide Kit (Use as required)   |
| 182   | 6201        |     | Screw, 1/4-28 x 7/8"   |
| 185   | 31384A      |     | Pipe, Intake (Incl. 224)   |
| 186   | 34337       |     | Link, Governor spring  |
| 196   | 35035       |     | Switch Assy.   |
| 206   | 610973      |     | Terminal (Use as required)   |
| 209   | 30200       |     | Screw, 10-24 x 9/16"   |
| 223   | 650451      |     | Screw, 1/4-20 x 1"   |
| 238   | 650806      |     | Screw, 10-32 x 5/8"  |
| 239   | 34338       |     | * Gasket, Air cleaner  |
| 240   | 34858       |     | Body, Air cleaner  |
| 246   | 34340       |     | Element, Air cleaner   |
| 246D  | 34927       |     | Felt, Air Cleaner  |
| 246E  | 35435       |     | Filter, Pre-air (Use as required)  |
| 250   | 35665       |     | Cover, Air cleaner   |
| 274   | 26754A      |     | * Gasket, Exhaust (Use as required)  |
| 275A  | 35603       |     | Muffler (Incl. 277)  |
| 277   | 650795      |     | Screw, 1/4-20 x 2-1/4" (Use as required)   |
| 277   | 650774      |     | Screw, 1/4-20 x 2-3/8" (Use as required)   |
| 277   | 792005      |     | Screw, 1/4-20 x 2-1/2" (Use as required)   |
| 277A  | 30063       |     | Screw, Torx T-30, 1/4-20 x 1/2" (Use as req.)  |
| 286   | 34999       |     | Screen, Starter cup  |
| 322   | 35013       |     | Connector Body   |
| 330   | 34970       |     | Wire Harness   |
| 330   | 34978       |     | Wire & terminal Assy.  |
| 361   | 650831      |     | Screw, 1/4-20 x 15/32"   |
| 370H  | 34387       |     | Decal, Instruction (Optional)  |
| 370J  | 34870       |     | Decal, Instruction (Optional)  |
| 395   | 34934       |     | Electric Starter Motor (12 Volt) (Refer to Division 5, Section D page 18 or Fiche 8A, Grid G-11 for breakdown) |
| 410   | 730574      |     | Debris Screen Kit(Incl.370H,411-413)( Opt.)  |
| 411   | 35596       |     | Screen, Debris (Optional)  |
| 412   | 35597       |     | Bracket, Debris screen (Optional)  |
| 413   | 650910      |     | Screw, 8-32 x 1/4 (Optional)   |
| 415   | 730162      |     | Muffler Adapter Kit(Incl.274,277)(Use as req)  |
| 425   | 730571      |     | Starter Muff Kit (Incl.370J,426,427)( Opt.)  |
| 426   | 32203       |     | Starter Air Cleaner (Optional)   |
| 427   | 32204       |     | Starter Air Cleaner Bracket (Optional )  |
| 436   | 611006      |     | Stator Plate Ass'y.(Incl.377,378,437, 442-448)   |
| 437   | 30551       |     | Spring, Breaker box cover  |
| 438   | 610947      |     | Cover, Dust  |
| 439   | 610955      |     | Gasket, Stator cover   |
| 440   | 30992       |     | Cam, Breaker   |
| 442   | 610385      |     | Washer   |
| 443   | 610408      |     | Nut, 8-32  |
| 444   | 29181       |     | Breaker Fastening Screw & Washer   |



| Ref # | Part Number | Qty | Description               |
|-------|-------------|-----|---------------------------|
| 445   | 610593      |     | Condenser Fastening Screw |
| 446   | 33356       |     | Terminal, Ground          |