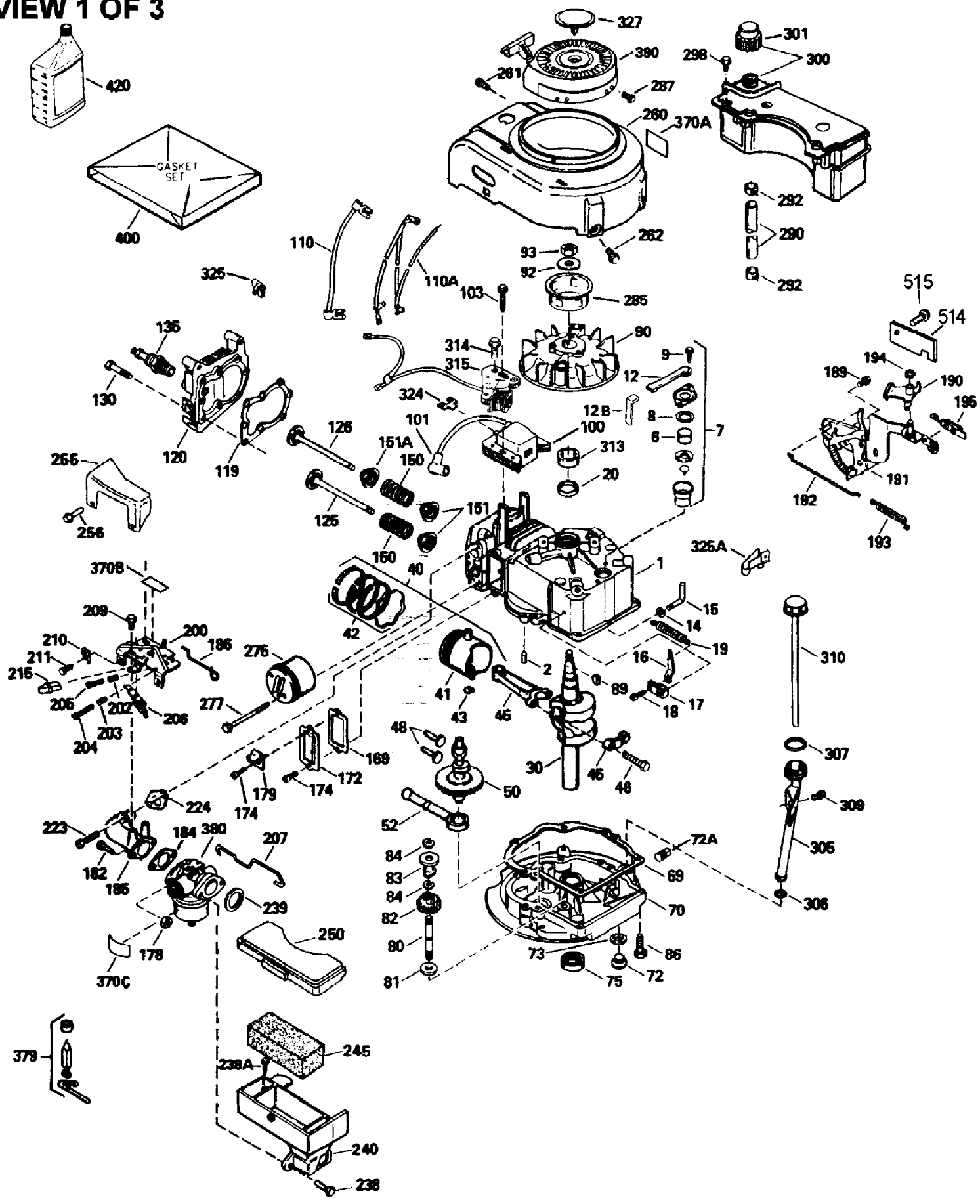


VIEW 1 OF 3



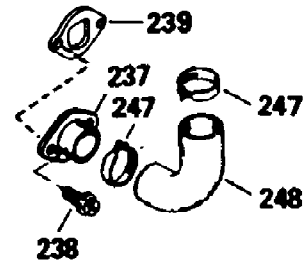
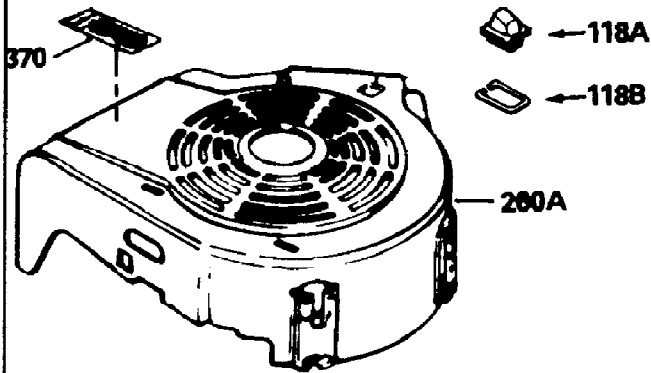
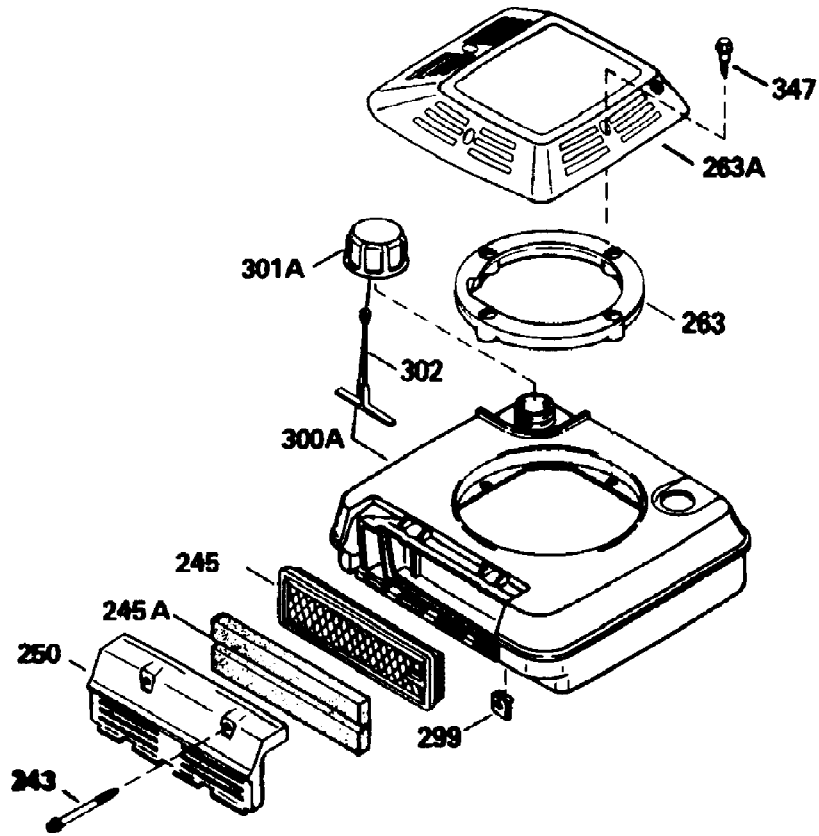
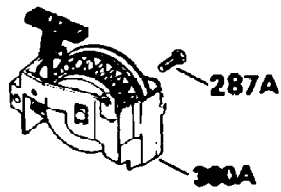
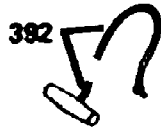
Ref #	Part Number	Qty	S/P/F	Description
1	35010	1	S/P	"Cylinder (Incl. 2 & 20)(2-5/8" Bore)
2	26727	1		Dowel Pin
6	33734	1		Element, Breather
7	34214A	1	S/P	Breather Ass'y. Incl. 6, 8, 9, 12 , & 12A
8	33735	1		* Gasket, Breather
9	30200	1	/P	Screw, 10-24 x 9/16"
12	33886	1	/P	Tube, Breather
14	28277	1		Flat Washer
15	30589	1		Rod, Governor (Incl. 14)
16	31383A	1	/P	Lever, Governor
17	31335	1		Clamp, Governor lever
18	650548	1	S	Screw, 8-32 x 5/16"
19	31386	1		Spring, Governor
20	32600	1		Seal, Oil
30	34570A	1	/P	Crankshaft
32	32323	1		Washer, Thrust NOTE: This thrust washer may not be required if a new crankshaft has been installed. Check the proper Mechanic's Handbook for acceptable end play. Use this .010" thrust washer if excess end play is measured.
40	34851	1	S/P	Piston, Pin & Ring Set (Std.) (2-5/8" Bore) NOTE: These piston, pin and ring sets and pistons have been superceded into a new piston, pin and ring set assembly. As of this update the ring sets (34854, 34855, 34856) are still available. It will be necessary to note on the engine that the piston, pin and ring set have been changed because the ring sets are not interchangeable with the pistons.
40	34852	1	S/P	Piston, Pin & Ring Set (.010" OS)
40	34853	1	S/P	Piston, Pin & Ring Set (.020" OS)
41	32603B	1	S/P	Piston & Pin Ass'y. (Incl. 43)(Std.) 2-5/8"
41	32604B	1	S/P	Piston & Pin Ass'y. (Incl. 43) .010" OS
41	32605B	1	S/P	Piston & Pin Ass'y. (Incl. 43) .020" OS
42	34854	1	/P	Ring Set (Std.) (2-5/8" Bore)
42	34855	1	/P	Ring Set (.010" OS)
42	34856	1	/P	Ring Set (.020" OS)
43	20381	1		Piston Pin Retaining Ring
45	32875	1	S/P	Rod Assy., Connecting (Incl. 46)
46	32610A	1	/P	Bolt, Connecting rod
48	27241	1		Valve Lifter
50	33148A	1	S/P	Camshaft
52	29914	1		Oil Pump Ass'y.
69	35261	1	S/P	* Gasket, Mounting flange
70	34311C	1	S/P	Flange Ass'y. Incl. 72, 72A, 73, 75 & 80
72	30572	1	S/P	Plug, Oil drain (Incl. 73)
73	28833	1	/P	* Drain Plug Gasket Not req. W/plastic plug
75	27897	1		Oil Seal
80	30574	1	S/P	Shaft, Governor
81	30590A	1	/P	Washer, Flat
82	30591	1	/P	Gear Assy., Governor (Incl. 81)

Ref #	Part Number	Qty	S/P/F	Description
83	30588A	1	/P	Spool, Governor
84	29193	1		Retaining Ring
86	650488	1	/P	Screw, 1/4-20 x 1-1/4"
89	610995	1		Flywheel Key
90	611046A	1	/P	Flywheel
92	650815	1	/P	Washer, Belleville
93	650816	1		Nut, Flywheel
100	34431	1	S	Solid State Ignition This coil has be en superseded to 730207 solid state c onversion kit
100	730207	1	/P	Magneto-to-Solid State Conv. Kit (Inc ludes solid state module, solid state flywheel key, and instructions.) (Us e as required on external ignition en gines only.)
101	610118	1		Cover, Spark plug (Use as required)
103	650489	1		Screw, 1/4-20 x 5/8"
103	650814	1	S	Screw, Torx T-15, 10-24 x 1"
110	34432	1		Ground Wire
118	730194	1		Rope Guide Kit (Use as required)
119	33015A	1	/P	* Gasket, Head
120	34342	1	S	Head, Cylinder
125	29313C	1	/P	Exhaust Valve (Std.) (Incl. 151) (Inv erted Ports)
125	29314B	1	S/P	Intake Valve (Std.) (Incl. 151) (Conv entional Ports)
125	29315C	1	/P	Exhaust Valve (1/32" OS) (Incl. 151) (Conventional Ports)
126	29313C	1	/P	Exhaust Valve (Std.) (Incl. 151) (Con ventional Ports)
126	29315C	1	/P	Exhaust Valve (1/32" OS) (Incl. 151) (Conventional Ports)
126	32644A	1	/P	Intake Valve (Incl. 151) Inverted Po rts
126	34776	1	S/P	Exhaust Valve (Std.) (Incl. 151) (Con ventional Ports)
130	6021A	1	/P	Screw, 5/16-18 x 1-1/2" Use as requir ed
130	650697A	1	/P	Screw, 5/16-18 x 2-1/2" Use as requir ed
135	33636	1	/P	Resistor Spark Plug - RJ17LM
150	31672	1	/P	Spring, Valve
151	31673	1		Cap, Lower valve spring
167	650688	1		Screw, 10-32 x 1" (Drilled thru)
168	32924	1		Spring, Speed adjusting screw
169	27234A	1	/P	Valve Cover Gasket
172	32755	1		Cover, Valve spring box
174	650128	1	/P	Screw, 10-24 x 1/2"
178	29752	1	/P	Nut & Lock Washer 1/4-28
182	6201	1	/P	Screw, 1/4-28 x 7/8"
184	26756	1	/P	* Gasket, Carburetor
185	31384A	1	/P	Pipe, Intake (Incl. 224)
186	34337	1		Link, Governor spring

Ref #	Part Number	Qty	S/P/F	Description
200	33155A	1	/P	Control Bracket (Incl. 206)
201	33150	1		Bracket, Over-ride
206	610973	1		Terminal (Use as required)
207	34336	1	S	Link, Throttle
209	30200	1	/P	Screw, 10-24 x 9/16"
210	27793	1	/P	Conduit Clip
211	28942	1	/P	Screw, 10-32 x 3/8"
223	650451	1	/P	Screw, 1/4-20 x 1"
224	34690A	1	/P	* Gasket, Intake pipe
238	650806	1		Screw, 10-32 x 5/8"
239	34338	1		* Gasket, Air cleaner
240	34339	1		Body, Air cleaner
246	34340	1		Air Filter (Poly) (also available in Packaged Part #740023B)
246E	35435	1	/P	Filter, Pre-air (Use as required)
250	34341A	1	S/P	Cover, Air cleaner
260	34475	1		Housing, Blower
261	30200	1	/P	Screw, 10-24 x 9/16"
262	650831	1		Screw, 1/4-20 x 15/32"
277	650774	1		Screw, 1/4-20 x 2-3/8" Use as required
277	650795	1		Screw, 1/4-20 x 2-1/4" Use as required
277	792005	1		Screw, 1/4-20 x 2-1/2" Use as required
287	650802	1	/P	Screw, 1/4-20 x 5/8"
290	29774	1	/P	Fuel Line (8.62") as req.)
290	30705	1	/P	Fuel Line (Braided 16")(40 cm) Use as req.
290	30962	1	/P	Fuel Line (Braided 32")(81 cm) Use as req.
290	34357	1	S/P	Fuel Line (Epichlorohydrin 6-3/4") 17 cm
292	26460	1	/P	Fuel Line Clamp
298	28763	1	/P	Screw, 10-32 x 35/64"
301	33032	1	/P	Fuel Cap (Red 1-1/2" ID) also available in Packaged Part #740005B
305	34264	1		Oil Fill Tube
306	34265	1		Gasket, Oil fill tube
306	34282	1		"O" Ring This "O" ring is required with metal fill tube only when replacement mounting flange with .777 dia. oil fill hole has been used.
307	33590	1		"O" Ring
309	650562	1	/P	Screw, 10-32 x 1/2"
310	34267	1	/P	Oil Dipstick (Incl. 150)
313A	33876	1		Gasket, Stator
326	34113	1		Plug, Screen
370A	34346	1	S/P	Decal, Instruction
370J	34870	1		Decal, Instruction (Optional)
370H	34387	1		Decal, Instruction (Optional)
377	30547A	1	/P	Breaker Points (also available in Packaged Part #740037B)
378	30548B	1	/P	Condenser (also available in Packaged Part #740037B)
379	631021	1	S/P	Inlet Needle, Seat & Clip Assy.

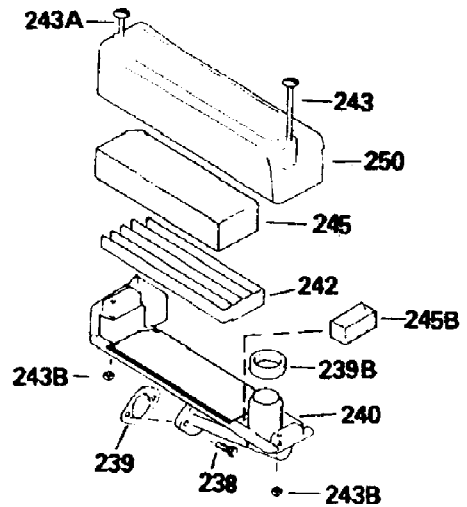
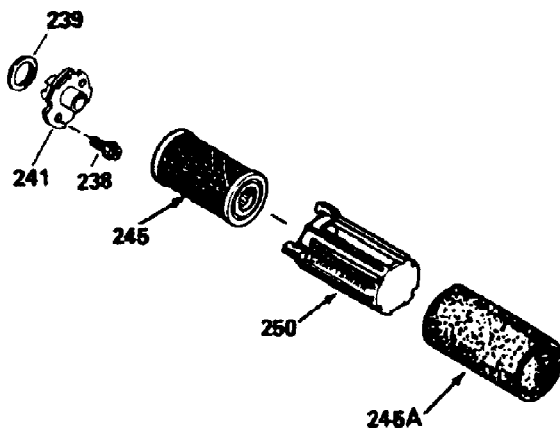
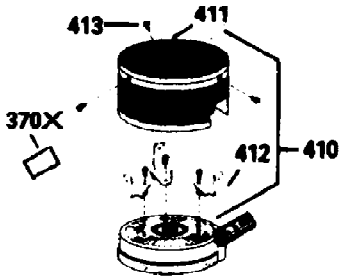
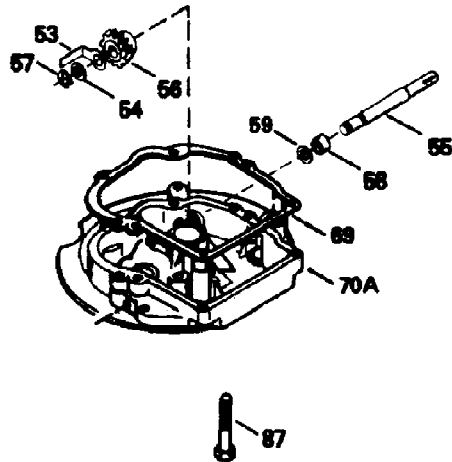
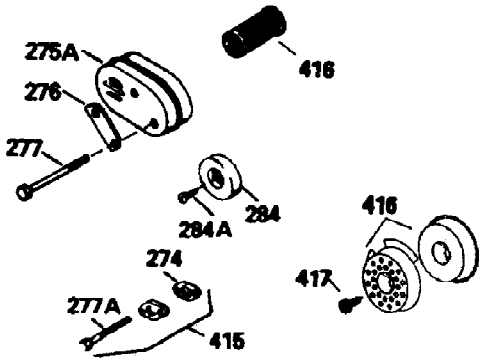
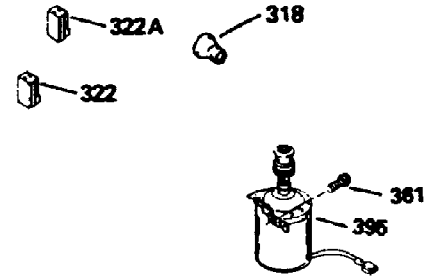
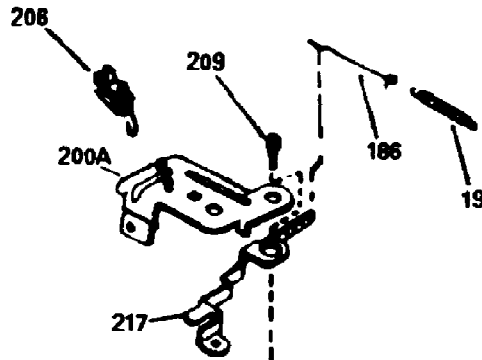
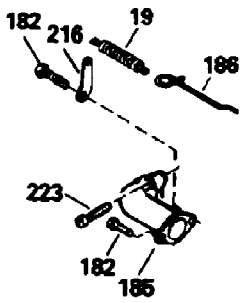
Ref #	Part Number	Qty	S/P/F	Description
380	632090	1	/P	Carburetor (Incl. 184) (Refer to Division 5, Section A, page A1-14 or Fiche 8A, Grid E-1 for breakdown)
390A	590531	1	S	Side Mount Rewind Starter Refer to Division 5, Section C, page 32 or Fiche 8A, Grid G-3 for breakdown
400	33238D	1	S/P	* Gasket Set (Incl. items marked *)
420	730225	1	S	SAE 30, 4-Cycle Engine Oil (Quart)
425	730571	1		Starter Muff Kit (Incl. 370J,426,427) Opt.
426	32203	1		Starter Air Cleaner (Optional)
427	32204	1		Starter Air Cleaner Bracket Optional
436	611006	1	/P	Stator Plate Ass'y. Incl. 377,378,437 , 442-448
437	30551	1		Spring, Breaker box cover
438	610947	1	/P	Cover, Dust
439	610955	1	/P	Gasket, Stator cover
440	30992	1	/P	Cam, Breaker
442	610385	1	/P	Washer
443	610408	1	/P	Nut, 8-32
444	29181	1	/P	Breaker Fastening Screw & Washer
445	610593	1		Condenser Fastening Screw
446	33356	1	/P	Terminal, Ground
448	30549	1	/P	Felt, Cam wiper

VIEW 2 OF 3



Ref #	Part Number	Qty	S/P/F	Description
32	32323	1		Washer, Thrust NOTE: This thrust washer may not be required if a new crankshaft has been installed. Check the proper Mechanic's Handbook for acceptable end play. Use this .010" thrust washer if excess end play is measured.
118	730194	1		Rope Guide Kit (Use as required)
167	650688	1		Screw, 10-32 x 1" (Drilled thru)
168	32924	1		Spring, Speed adjusting screw
201	33150	1		Bracket, Over-ride
238	650806	1		Screw, 10-32 x 5/8"
239	34338	1		* Gasket, Air cleaner
246	34340	1		Air Filter (Poly) (also available in Packaged Part #740023B)
246E	35435	1	/P	Filter, Pre-air (Use as required)
250	34341A	1	S/P	Cover, Air cleaner
287A		1		Pop Rivet (3/16" Dia.) Purchase locally
287A	650735	1		Screw, 10-24 x 3/8" (Use as required)
300A	34476	1	S/P	Fuel Tank (Incl. 292 & 301)
313A	33876	1		Gasket, Stator
326	34113	1		Plug, Screen
370J	34870	1		Decal, Instruction (Optional)
370H	34387	1		Decal, Instruction (Optional)
370	550223	1	/P	Decal, Name
377	30547A	1	/P	Breaker Points (also available in Packaged Part #740037B)
378	30548B	1	/P	Condenser (also available in Packaged Part #740037B)
390A	590531	1	S	Side Mount Rewind Starter Refer to Division 5, Section C, page 32 or Fiche 8A, Grid G-3 for breakdown
425	730571	1		Starter Muff Kit (Incl. 370J,426,427) Opt.
426	32203	1		Starter Air Cleaner (Optional)
427	32204	1		Starter Air Cleaner Bracket Optional
436	611006	1	/P	Stator Plate Ass'y. Incl. 377,378,437 , 442-448
437	30551	1		Spring, Breaker box cover
438	610947	1	/P	Cover, Dust
439	610955	1	/P	Gasket, Stator cover
440	30992	1	/P	Cam, Breaker
442	610385	1	/P	Washer
443	610408	1	/P	Nut, 8-32
444	29181	1	/P	Breaker Fastening Screw & Washer
445	610593	1		Condenser Fastening Screw
446	33356	1	/P	Terminal, Ground
448	30549	1	/P	Felt, Cam wiper

VIEW 3 OF 3



Ref #	Part Number	Qty	S/P/F	Description
19	31386	1		Spring, Governor
32	32323	1		Washer, Thrust NOTE: This thrust washer may not be required if a new crankshaft has been installed. Check the proper Mechanic's Handbook for acceptable end play. Use this .010" thrust washer if excess end play is measured.
69	35261	1	S/P	* Gasket, Mounting flange
118	730194	1		Rope Guide Kit (Use as required)
167	650688	1		Screw, 10-32 x 1" (Drilled thru)
168	32924	1		Spring, Speed adjusting screw
182	6201	1	/P	Screw, 1/4-28 x 7/8"
185	31384A	1	/P	Pipe, Intake (Incl. 224)
186	34337	1		Link, Governor spring
201	33150	1		Bracket, Over-ride
206	610973	1		Terminal (Use as required)
209	30200	1	/P	Screw, 10-24 x 9/16"
223	650451	1	/P	Screw, 1/4-20 x 1"
238	650806	1		Screw, 10-32 x 5/8"
239	34338	1		* Gasket, Air cleaner
240	34339	1		Body, Air cleaner
246	34340	1		Air Filter (Poly) (also available in Packaged Part #740023B)
246E	35435	1	/P	Filter, Pre-air (Use as required)
250	34341A	1	S/P	Cover, Air cleaner
274	26754A	1	/P	* Gasket, Exhaust (Use as required)
275A	391019	1	S	Muffler
277	650774	1		Screw, 1/4-20 x 2-3/8" Use as required
277	650795	1		Screw, 1/4-20 x 2-1/4" Use as required
277	792005	1		Screw, 1/4-20 x 2-1/2" Use as required
277A	30063	1	/P	Screw, T-30, 1/4-20 x 1/2" as req.)
313A	33876	1		Gasket, Stator
326	34113	1		Plug, Screen
370J	34870	1		Decal, Instruction (Optional)
370H	34387	1		Decal, Instruction (Optional)
377	30547A	1	/P	Breaker Points (also available in Packaged Part #740037B)
378	30548B	1	/P	Condenser (also available in Packaged Part #740037B)
390A	590531	1	S	Side Mount Rewind Starter Refer to Division 5, Section C, page 32 or Fiche 8A, Grid G-3 for breakdown
410	730574	1	S	Debris Screen Kit (Incl. 370H,411-413) Opt.
411	35596	1		Debris Screen (Optional)
412	35597	1		Debris Screen Bracket (Optional)
413	650910	1	/P	Screw, 8-32 x 1/4 (Optional)
415	730162	1		Muffler Adapter Kit (Incl. 274,277) Use as req
425	730571	1		Starter Muff Kit (Incl. 370J,426,427) Opt.
426	32203	1		Starter Air Cleaner (Optional)
427	32204	1		Starter Air Cleaner Bracket Optional
436	611006	1	/P	Stator Plate Assy. Incl. 377,378,437 , 442-448

TVS105-53034B
Engine Parts List #3

Page 10 of 10

Ref #	Part Number	Qty	S/P/F	Description
437	30551	1		Spring, Breaker box cover
438	610947	1	/P	Cover, Dust
439	610955	1	/P	Gasket, Stator cover
440	30992	1	/P	Cam, Breaker
442	610385	1	/P	Washer
443	610408	1	/P	Nut, 8-32
444	29181	1	/P	Breaker Fastening Screw & Washer
445	610593	1		Condenser Fastening Screw
446	33356	1	/P	Terminal, Ground
448	30549	1	/P	Felt, Cam wiper